



US00D430289S

# United States Patent [19]

[11] **Patent Number: Des. 430,289**

**Mason et al.**

[45] **Date of Patent: \*\* Aug. 29, 2000**

[54] **INFUSION PUMP FOR ADMINISTERING A FLUID MEDICATION**

D. 410,081	5/1999	Sweeney et al.	.....	D24/111
6,045,533	4/2000	Kriesel et al.	.....	604/132
6,056,728	5/2000	von Schuckmann	.....	604/135
6,063,059	5/2000	Kriesel	.....	604/133

[75] Inventors: **Bradley R. Mason**, Carlsbad; **Jeffrey T. Mason**, Escondido, both of Calif.

*Primary Examiner*—Ian Simmons  
*Attorney, Agent, or Firm*—Rodney F. Brown

[73] Assignee: **Breg, Inc.**, Vista, Calif.

[\*\*] Term: **14 Years**

### [57] CLAIM

[21] Appl. No.: **29/108,689**

The ornamental design for an infusion pump for administering a fluid medication, as shown.

[22] Filed: **Jul. 30, 1999**

### DESCRIPTION

[51] **LOC (7) Cl.** ..... **24-02**

[52] **U.S. Cl.** ..... **D24/111**

[58] **Field of Search** ..... D24/108, 111;  
D15/7, 9; 604/124, 125, 132, 134, 135,  
140, 152, 143, 141, 131, 133; 128/DIG. 6,  
DIG. 12

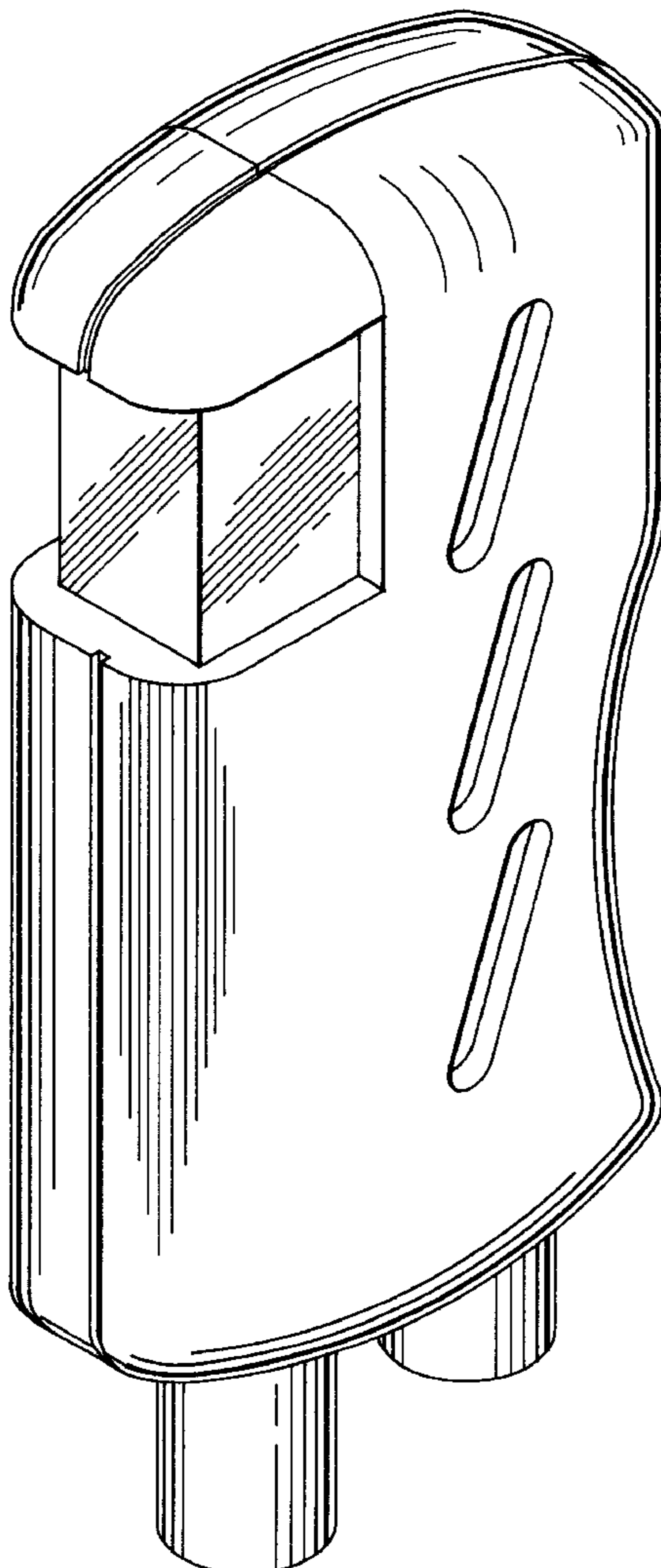
FIG. 1 is a front perspective view of an infusion pump for administering a fluid medication showing my design; FIG. 2 is a front elevational view thereof; FIG. 3 is a side elevational view thereof; FIG. 4 is an opposite side elevational view thereof; FIG. 5 is a rear elevational view thereof; FIG. 6 is a top plan view thereof; and, FIG. 7 is a bottom plan view thereof.

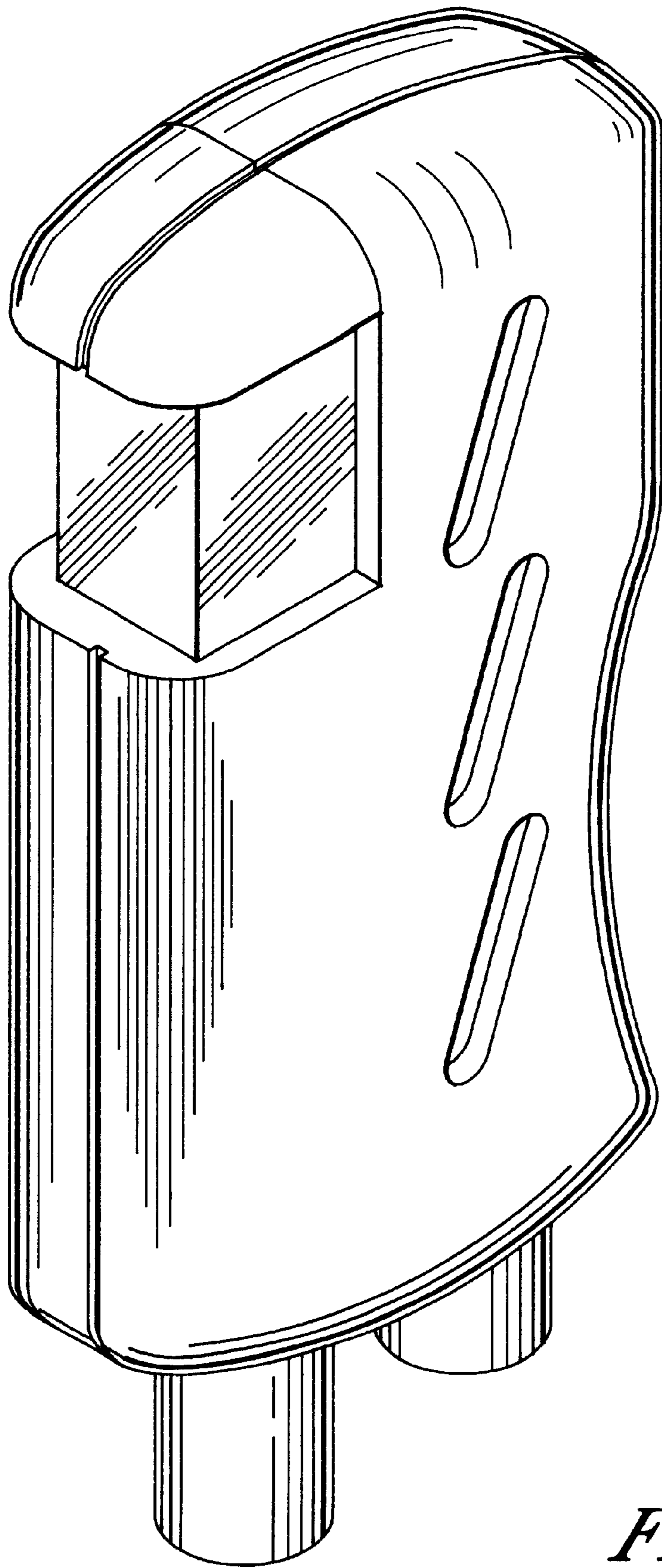
### [56] References Cited

#### U.S. PATENT DOCUMENTS

D. 339,193 9/1993 Thompson et al. .... D24/111

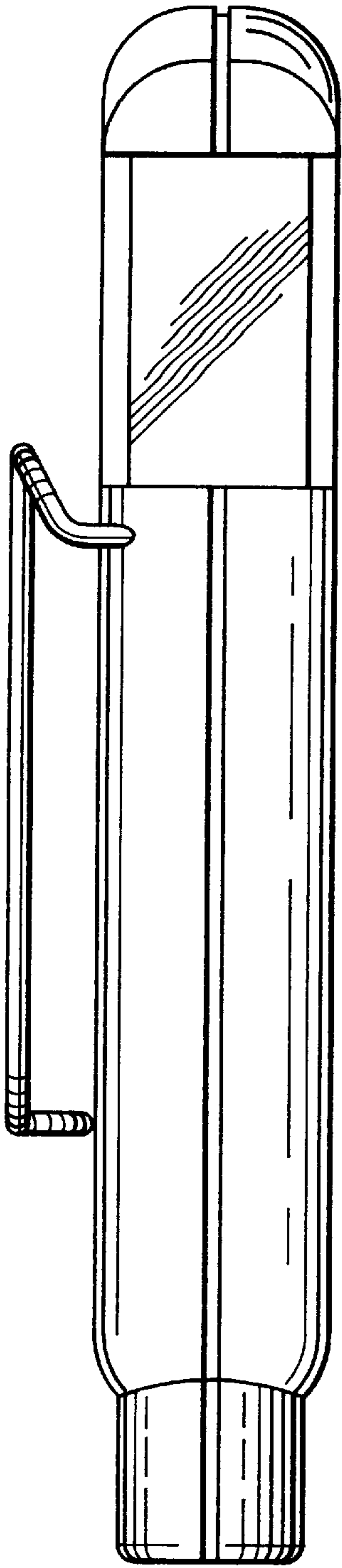
**1 Claim, 4 Drawing Sheets**



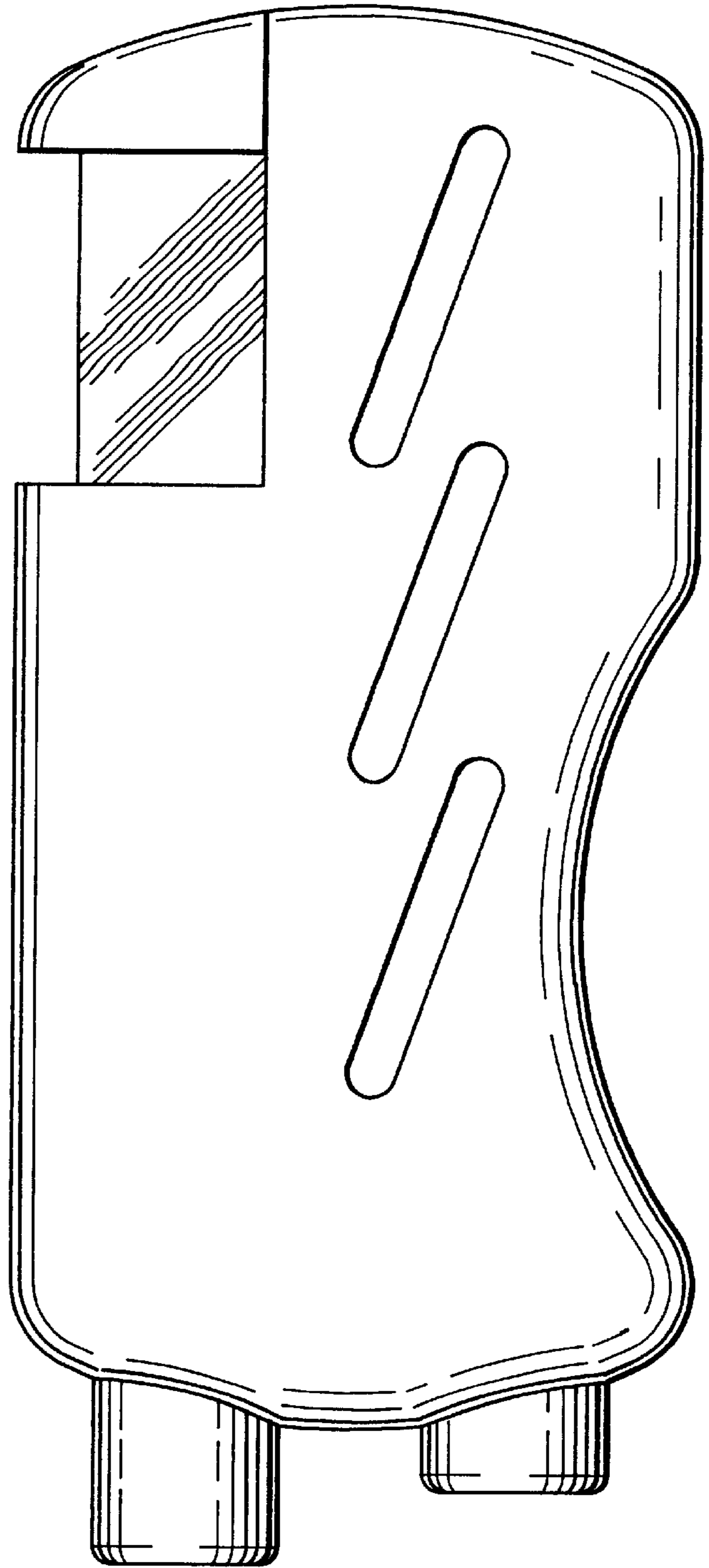


*Fig. 1*

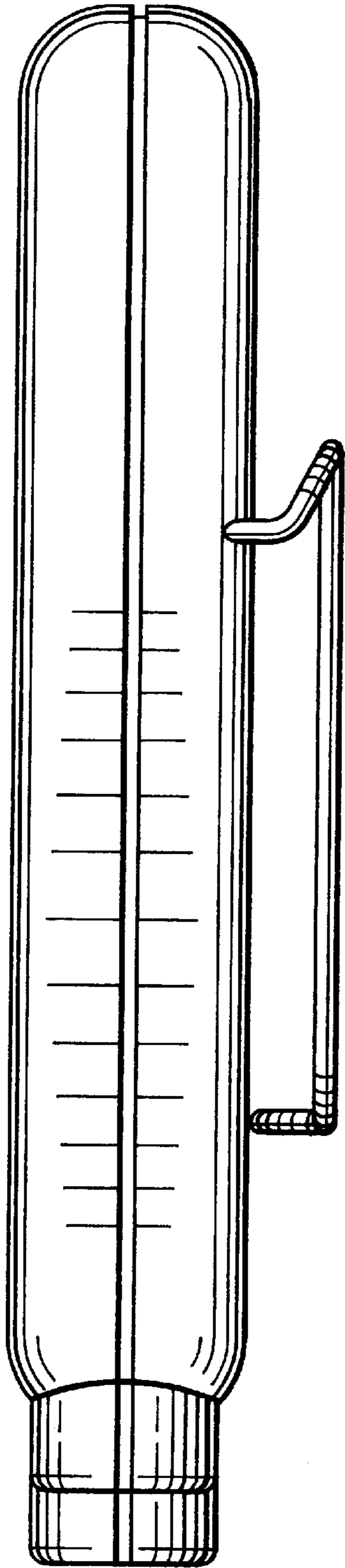
*Fig. 3*



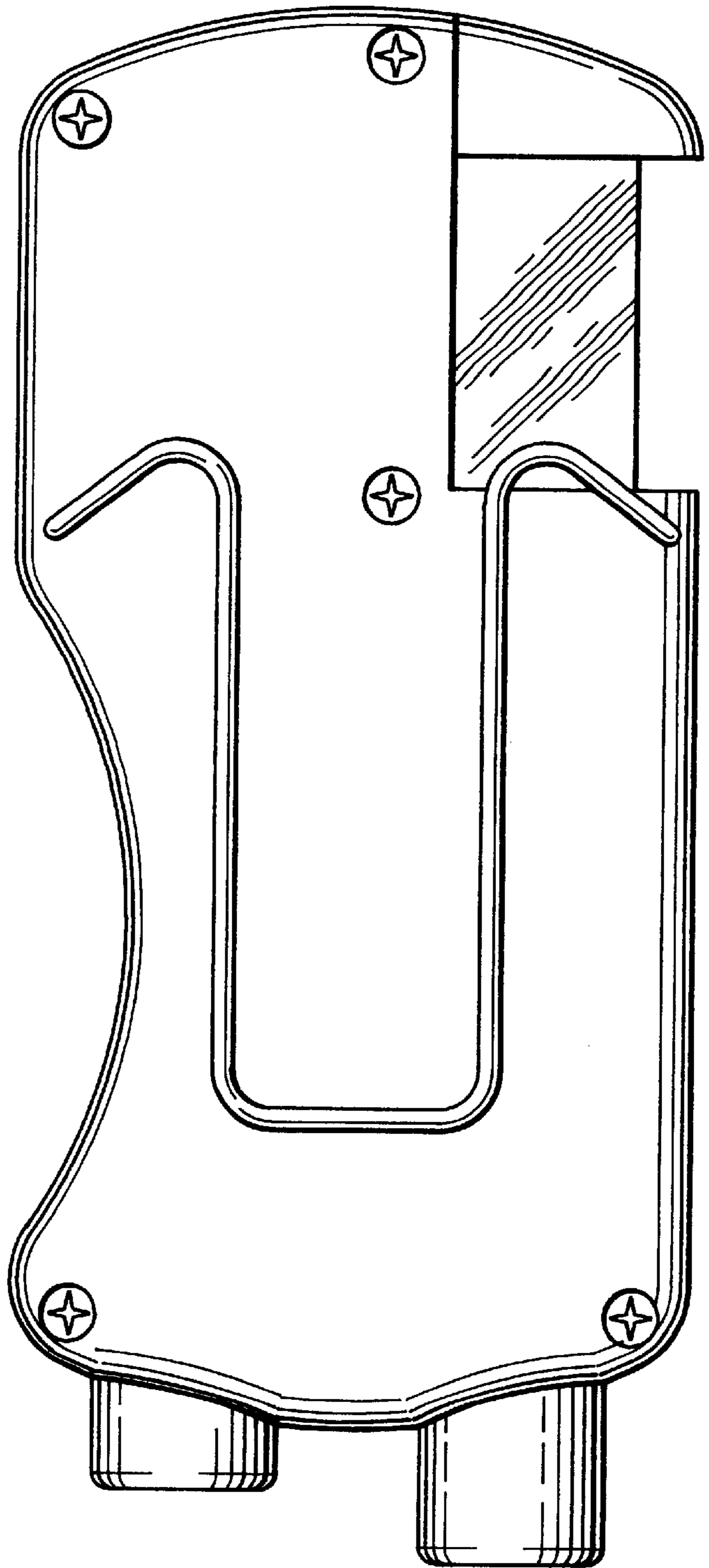
*Fig. 2*

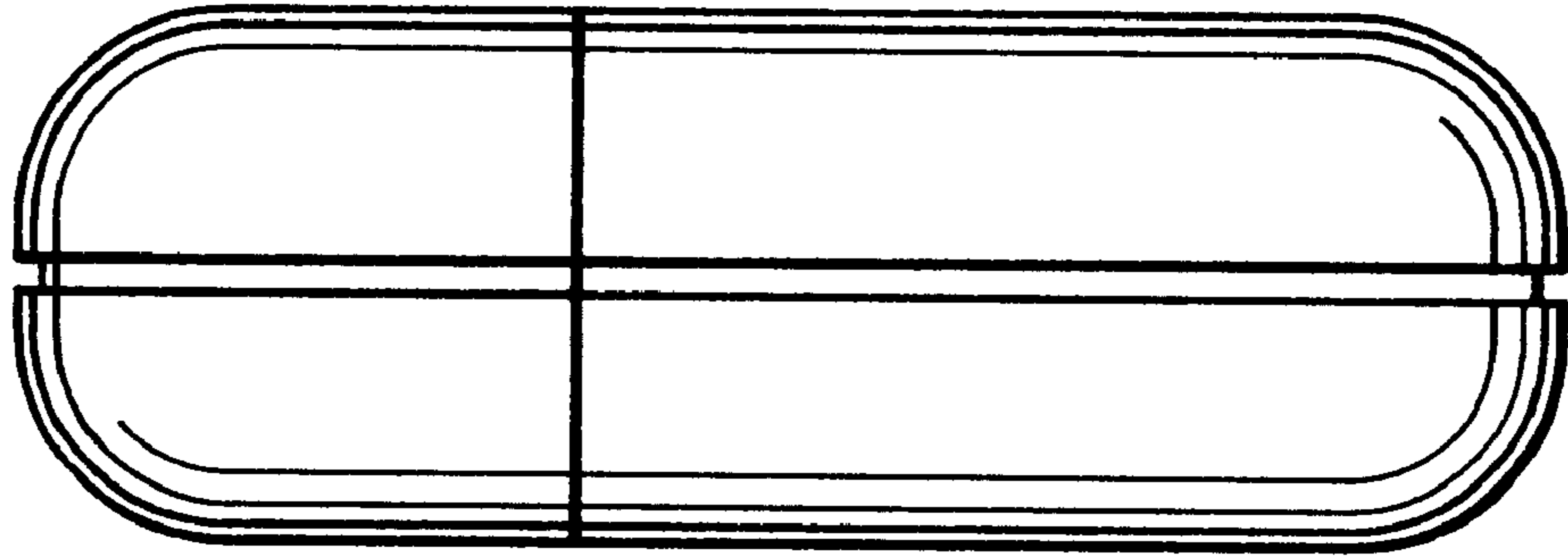


*Fig. 4*

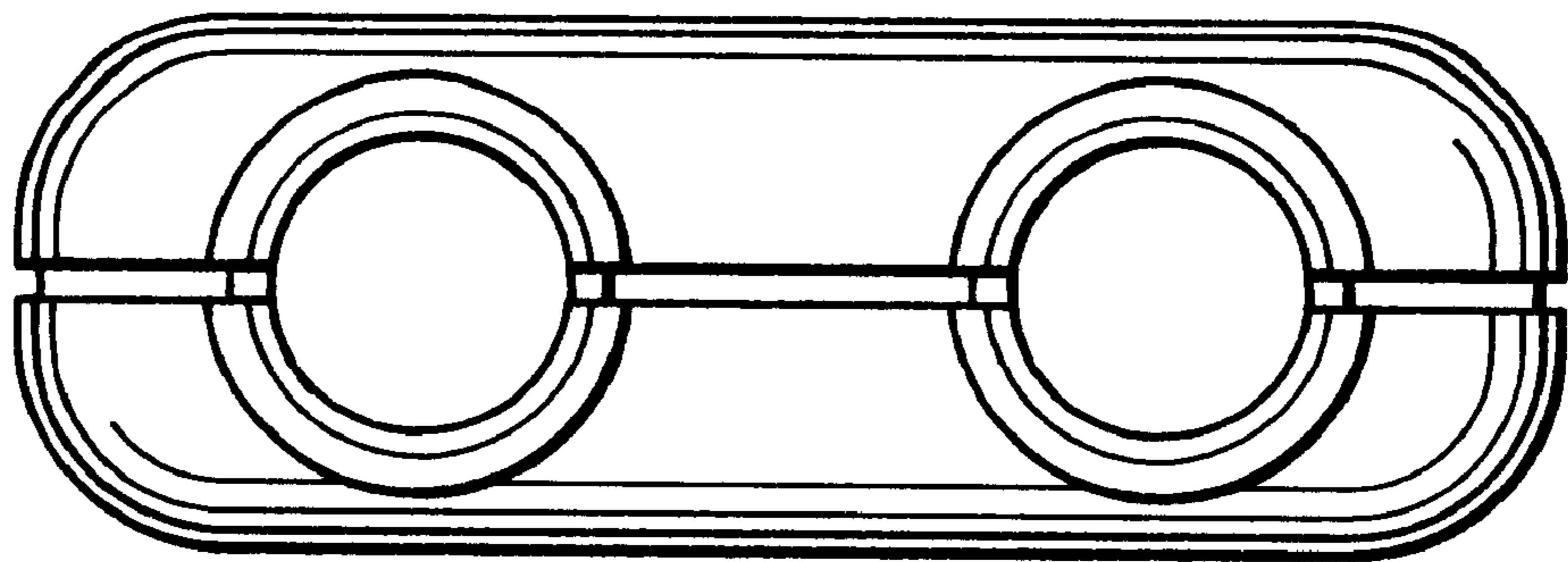


*Fig. 5*





*Fig. 6*



*Fig. 7*