



US00D430288S

United States Patent [19]

[11] **Patent Number: Des. 430,288**

Mason et al.

[45] **Date of Patent: ** Aug. 29, 2000**

[54] **MEDICAL INFUSION PUMP**

6,045,533	4/2000	Kriesel et al.	604/132
6,056,728	5/2000	von Schuckmann	604/135
6,063,059	5/2000	Kriesel	604/133

[75] Inventors: **Bradley R. Mason**, Carlsbad; **Jeffrey T. Mason**, Escondido, both of Calif.

Primary Examiner—Ian Simmons
Attorney, Agent, or Firm—Rodney F. Brown

[73] Assignee: **Breg, Inc.**, Vista, Calif.

[**] Term: **14 Years**

[57] **CLAIM**

[21] Appl. No.: **29/108,688**

The ornamental design for a medical infusion pump, as shown.

[22] Filed: **Jul. 30, 1999**

DESCRIPTION

[51] **LOC (7) Cl.** **24-02**

FIG. 1 is a front perspective view of a medical infusion pump showing my design;

[52] **U.S. Cl.** **D24/111**

FIG. 2 is a front elevational view thereof;

[58] **Field of Search** D24/11, 108; D15/7, D15/9; 604/141, 131, 143, 152, 135, 140, 134, 132, 125, 124, 133; 129/DIG. 6, DIG. 12

FIG. 3 is a side elevational view thereof;

FIG. 4 is an opposite side elevational view thereof;

FIG. 5 is a rear elevational view thereof;

FIG. 6 is a top plan view thereof; and,

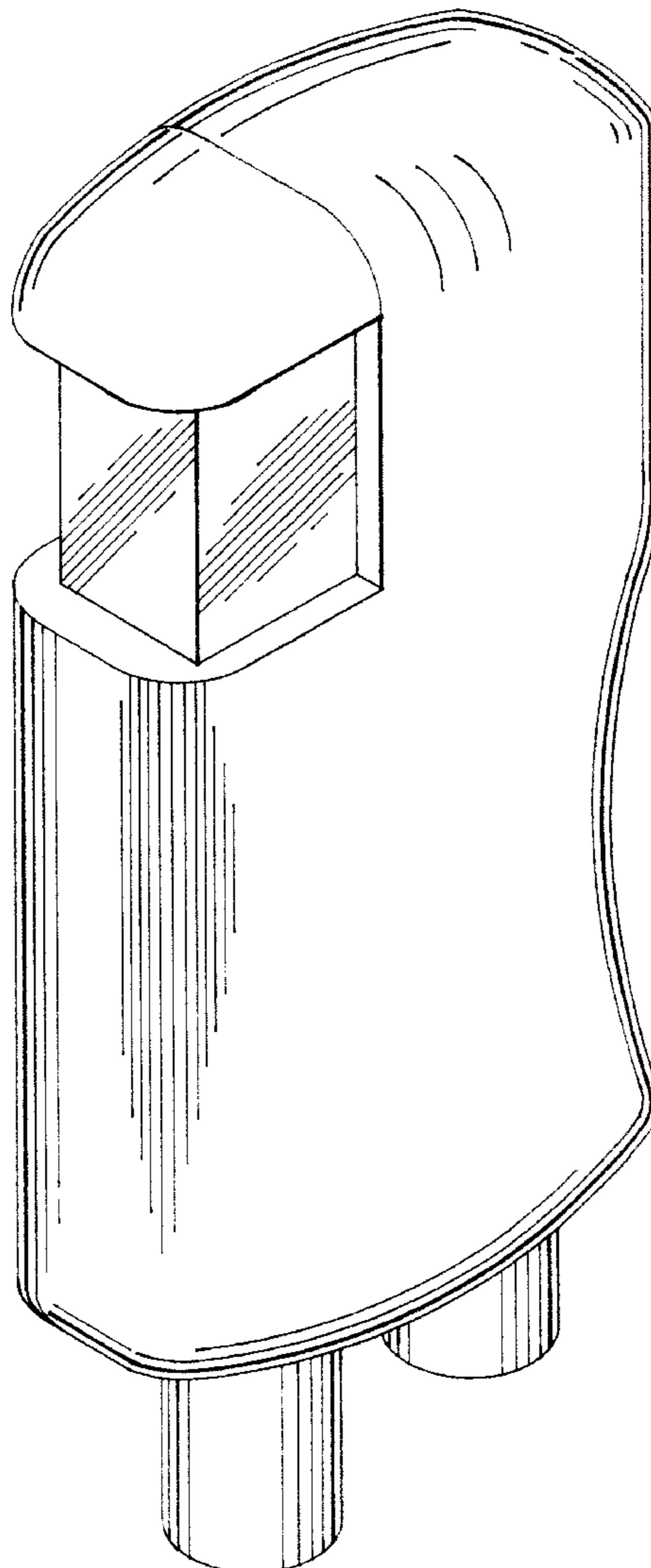
FIG. 7 is a bottom view thereof.

[56] **References Cited**

U.S. PATENT DOCUMENTS

D. 339,193	9/1993	Thompson et al.	D24/111
D. 410,081	5/1999	Sweeney et al.	D24/111

1 Claim, 4 Drawing Sheets



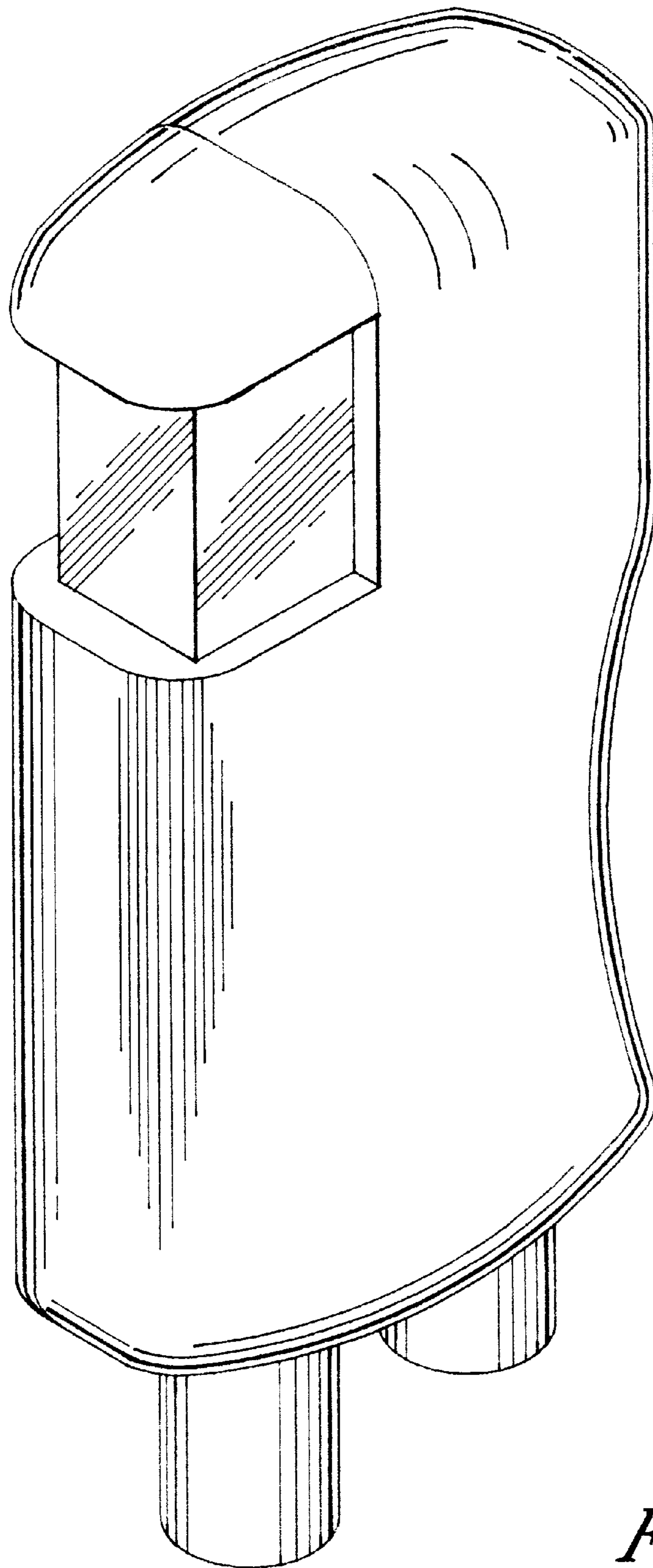


Fig. 1

Fig. 3

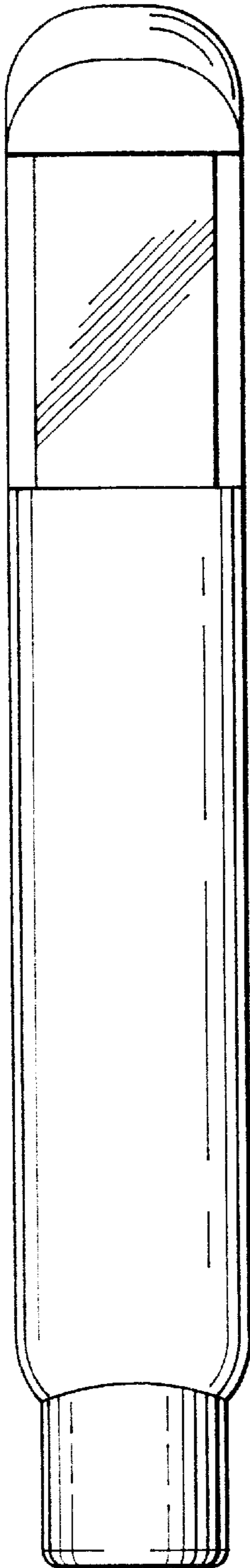


Fig. 2

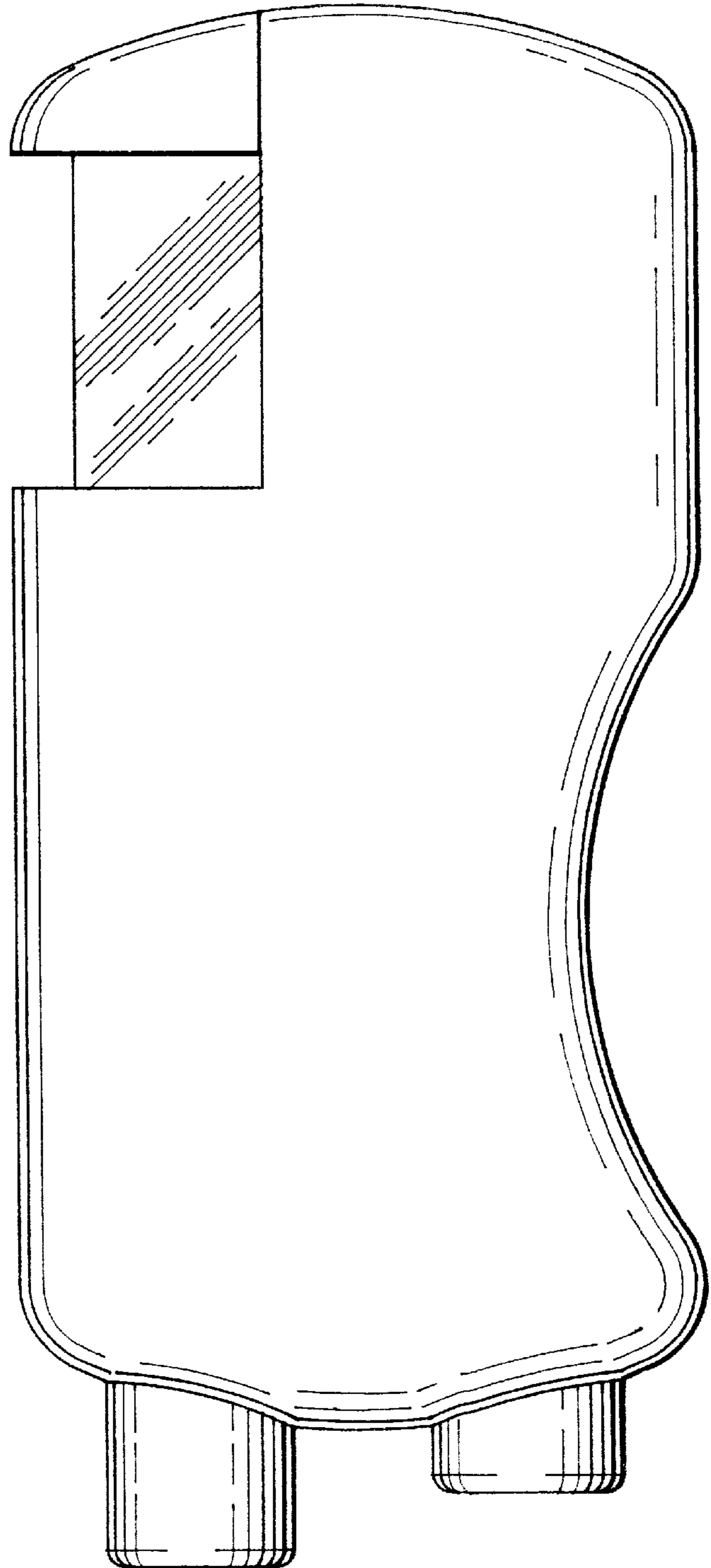


Fig. 4

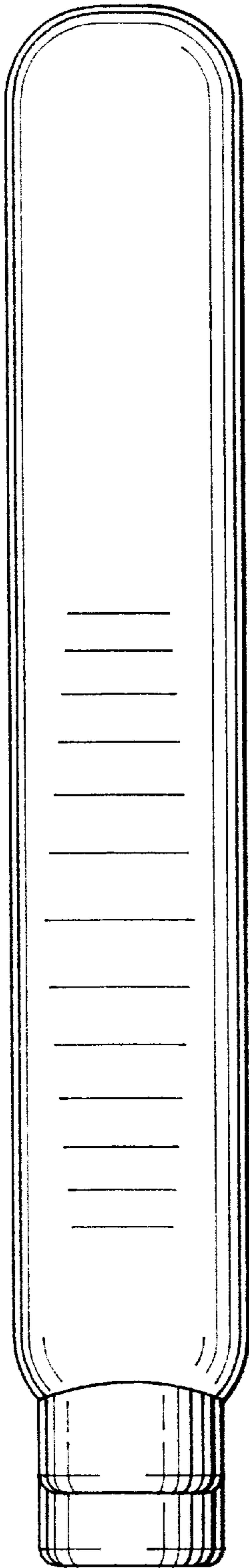
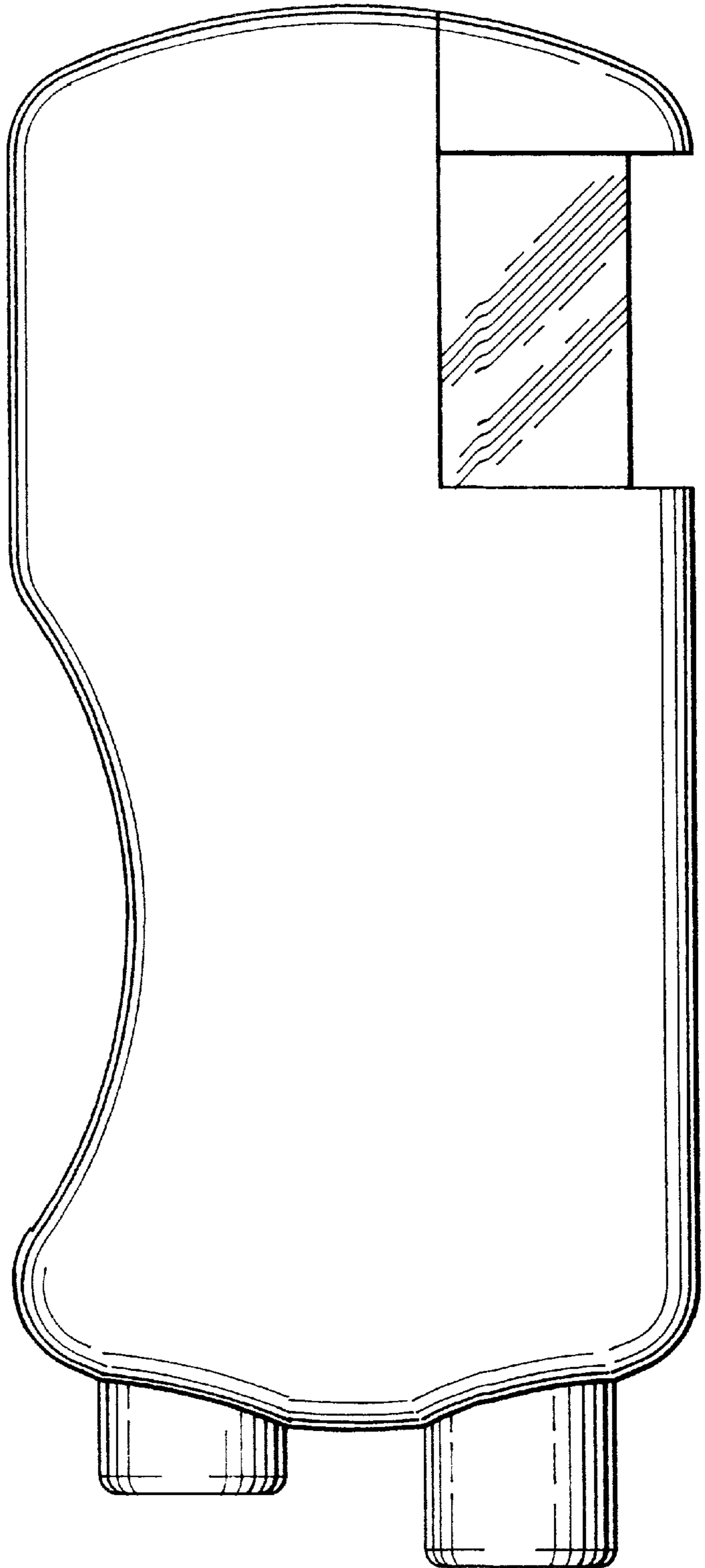


Fig. 5



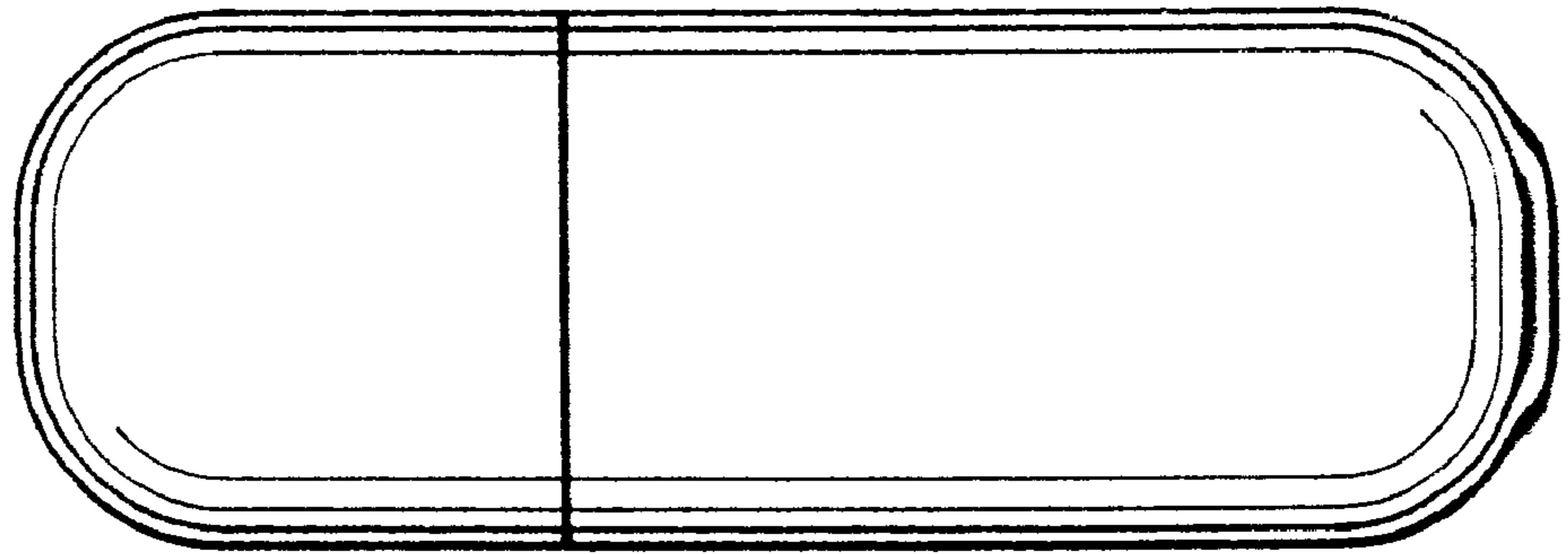


Fig. 6

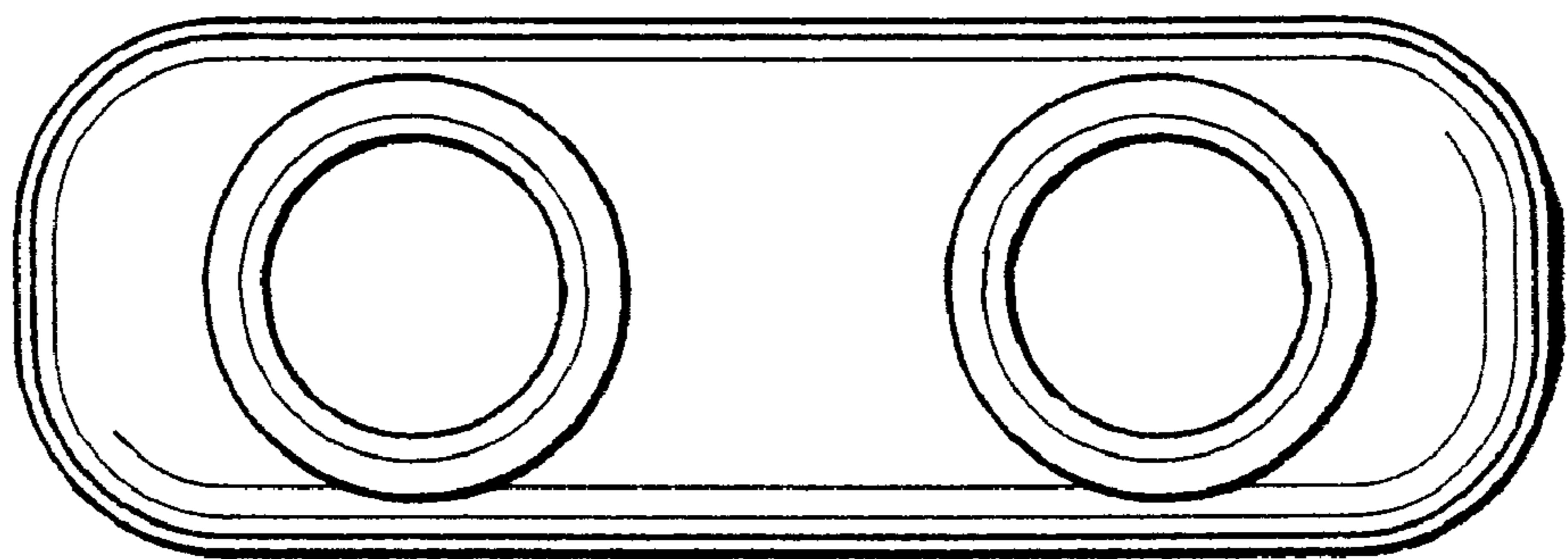


Fig. 7