

US00D430286S

United States Patent [19]

[11] Patent Number: Des. 430,286

Valerio et al.

[45] Date of Patent: ** Aug. 29, 2000

[54] DRAINAGE UNIT FOR DRAINING BODILY FLUIDS FROM A PATIENT

4,784,642 11/1988 Everett, Jr. et al. .
5,026,358 6/1991 Everett, Jr. et al. .
5,154,712 10/1992 Herweck et al. .
5,507,734 4/1996 Everett, Jr. et al. .

[75] Inventors: Michael A. Valerio, Wrentham; Trinh Phung, Attleboro, both of Mass.; Anthony R. Carlone, Bristol, R.I.; Victor E. Santos, Brockton, Mass.

FOREIGN PATENT DOCUMENTS

0112641 7/1984 European Pat. Off. .
2148331 11/1970 Germany .

[73] Assignee: Genzyme Corporation, Cambridge, Mass.

OTHER PUBLICATIONS

[**] Term: 14 Years

“Understanding Chest Drainage”, Deknatel, Inc. Publication, Jul., 1995 Rev. C.
Deknatel Product Literature, Pleur-Evac Plus A-6000; Dec., 1995.

[21] Appl. No.: 29/064,871

[22] Filed: Jan. 13, 1997

Primary Examiner—Joel Sincavage
Assistant Examiner—Linda Brooks
Attorney, Agent, or Firm—Dike, Bronstein, Roberts & Cushman, LLP; David G. Conlin; William J. Daley, Jr.

[51] LOC (7) Cl. 24-01

[52] U.S. Cl. D24/108

[58] Field of Search D24/111, 118,
D24/129, 108; 604/4-6, 317, 319-321;
137/205

[57] CLAIM

The ornamental design for a drainage unit for draining bodily fluids from a patient, as shown and described.

[56] References Cited

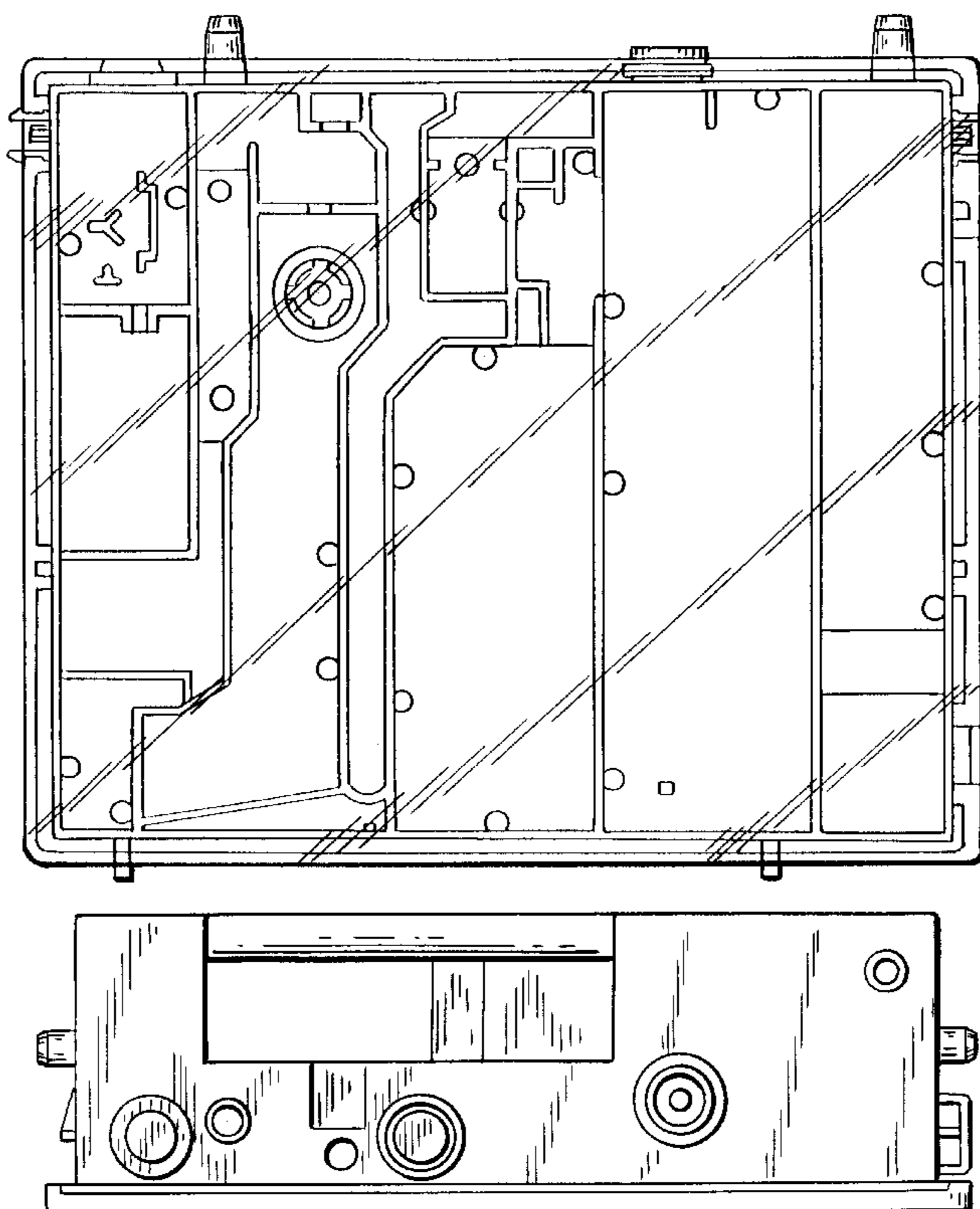
U.S. PATENT DOCUMENTS

Re. 35,225 4/1996 Herweck et al. .
D. 245,372 8/1977 Kurtz et al. .
D. 250,207 11/1978 Kurtz et al. .
D. 324,102 2/1992 Farrar et al. .
3,545,440 12/1970 Mishkin et al. .
3,559,647 2/1971 Bidwell et al. .
4,018,224 4/1977 Kurtz et al. .
4,258,824 3/1981 Kurtz et al. .
4,767,417 8/1988 Boehringer et al. .
4,781,707 11/1988 Boehringer et al. .

DESCRIPTION

FIG. 1 is a front view of a drainage unit for draining bodily fluids from a patient showing our new design; FIG. 2 is a left side view of FIG. 1; FIG. 3 is a right side view of FIG. 1; FIG. 4 is a plan view of FIG. 1; FIG. 5 is a back view of FIG. 1; and, FIG. 6 is a bottom view of FIG. 1.

1 Claim, 3 Drawing Sheets



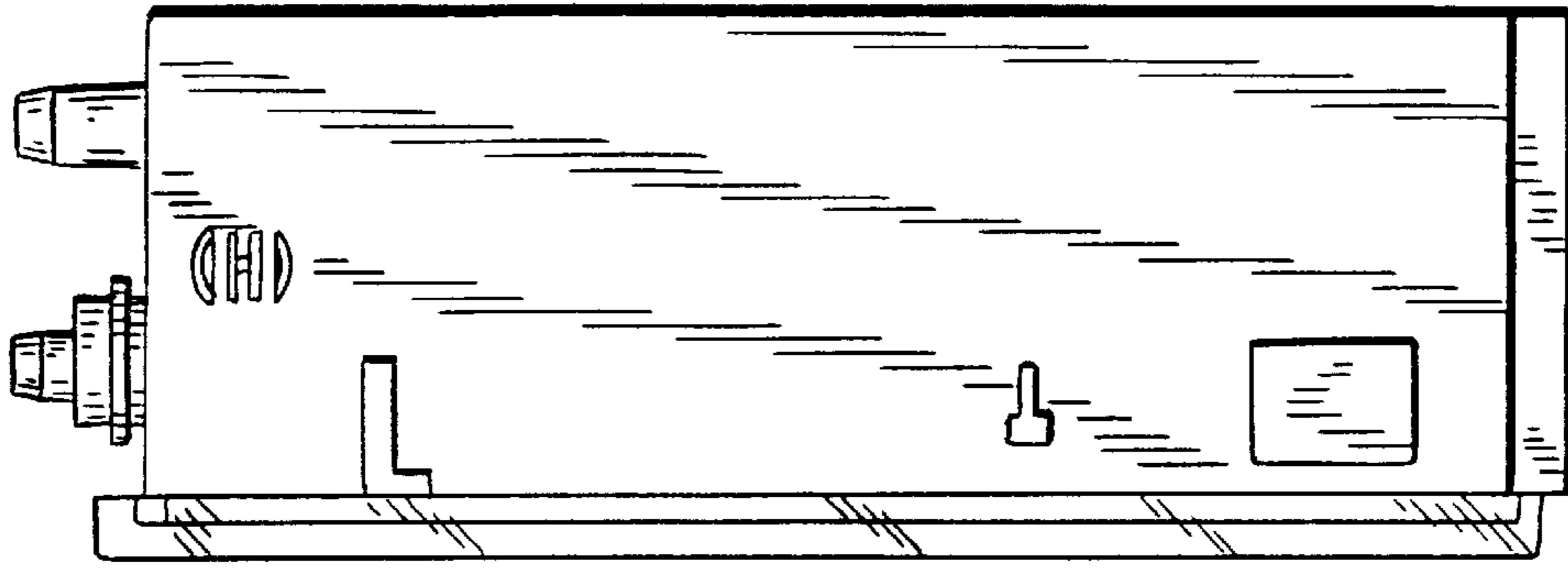


FIG. 3

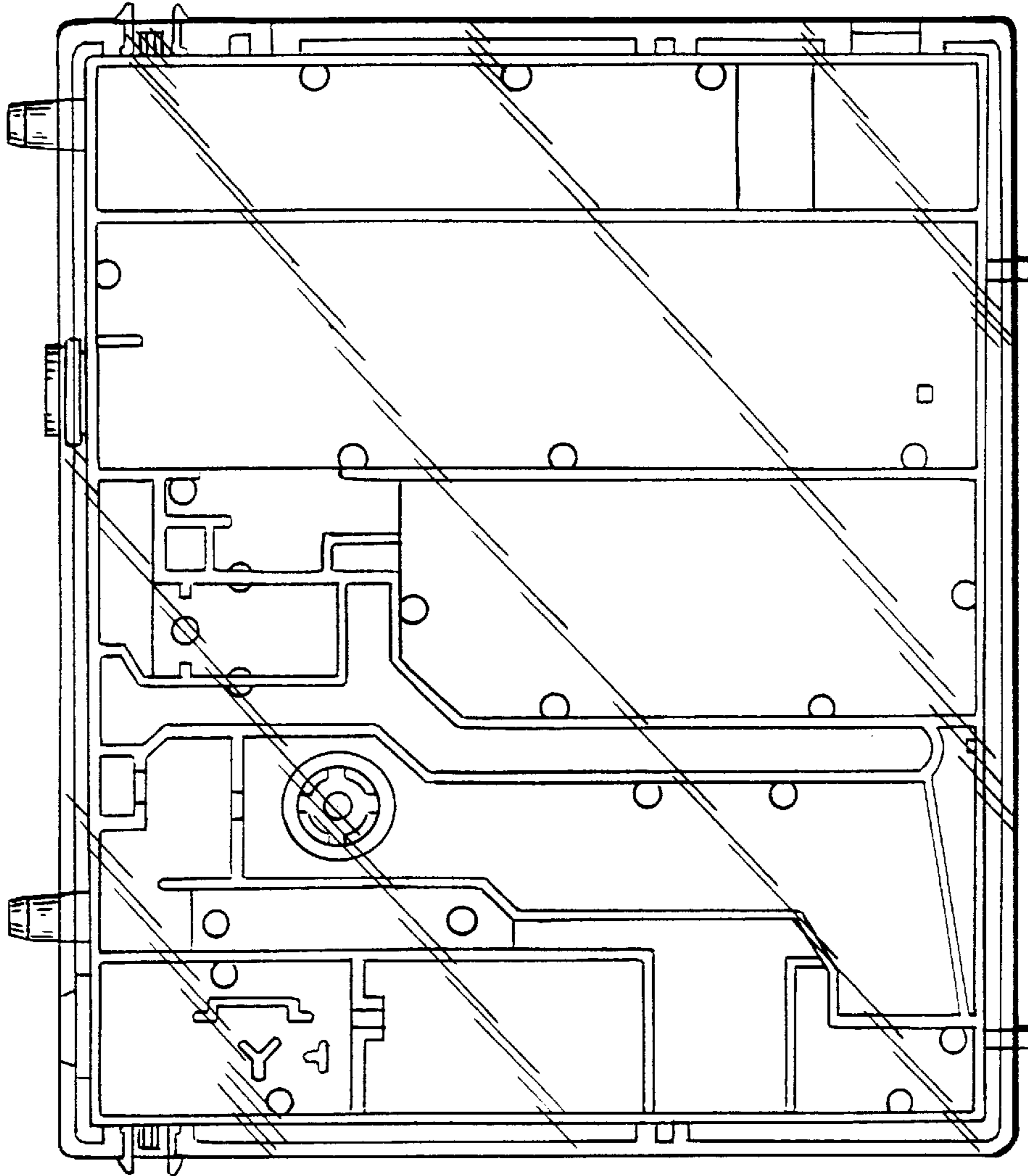


FIG. 1

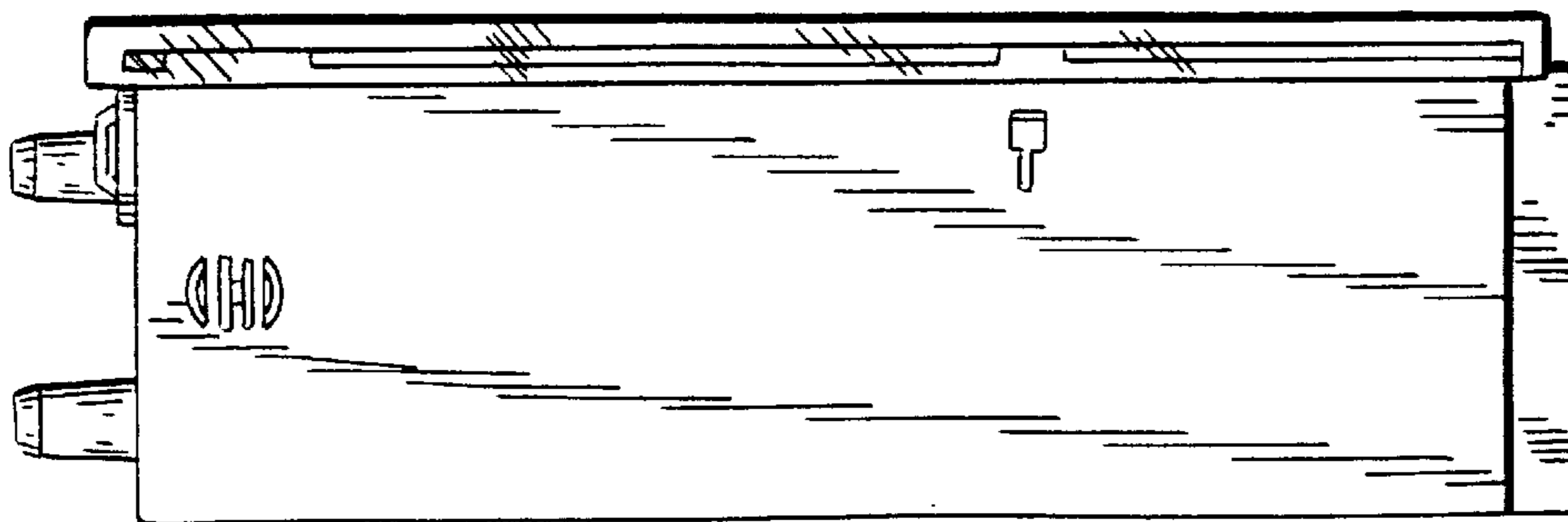


FIG. 2

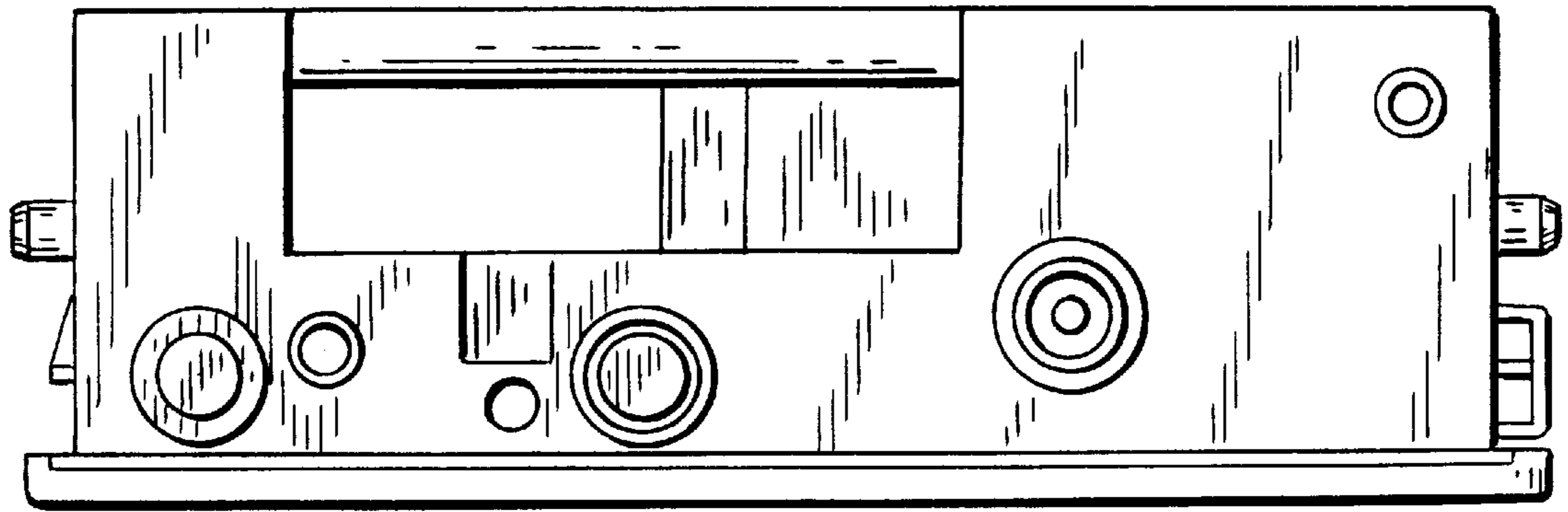


FIG. 4

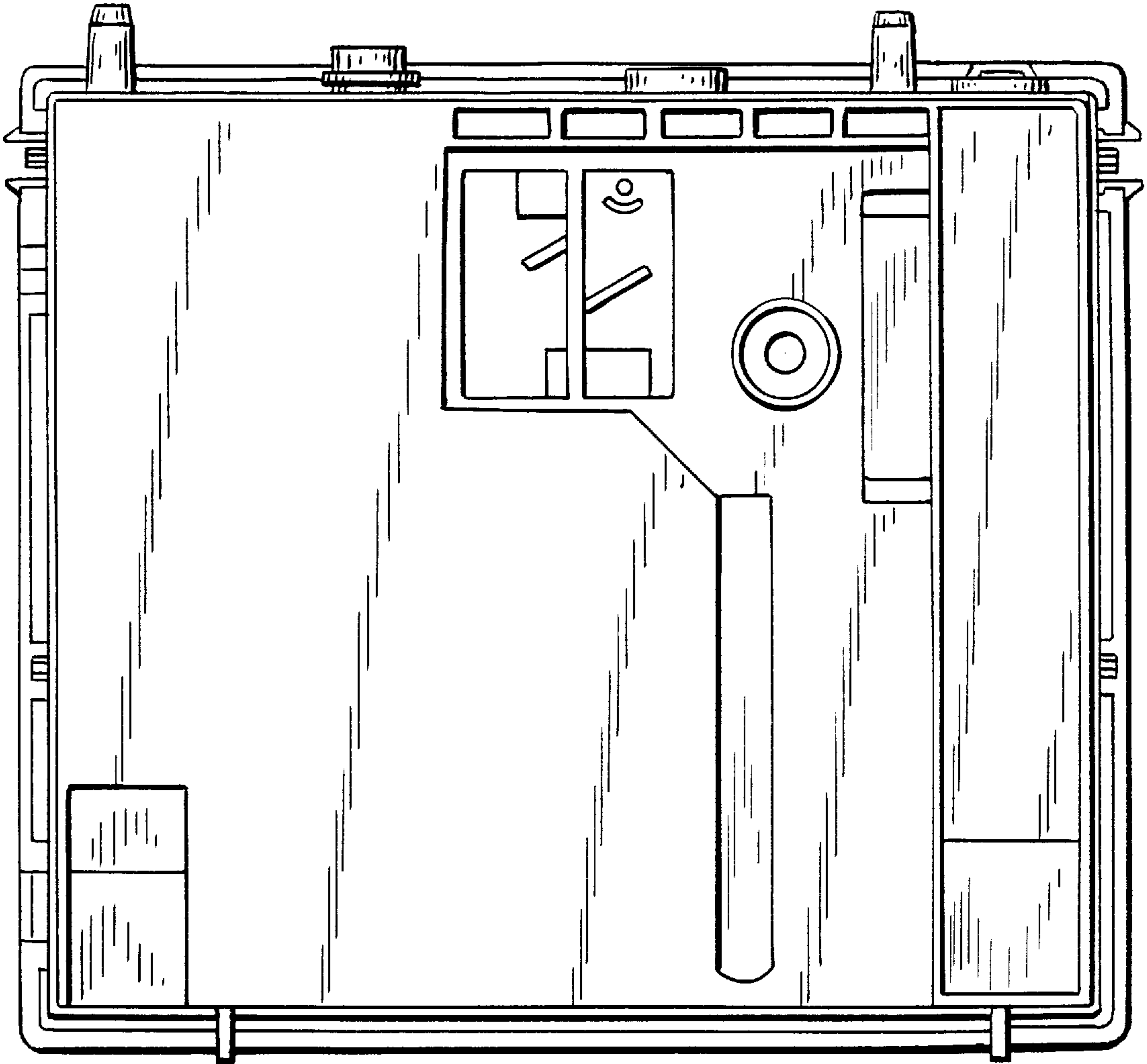


FIG. 5

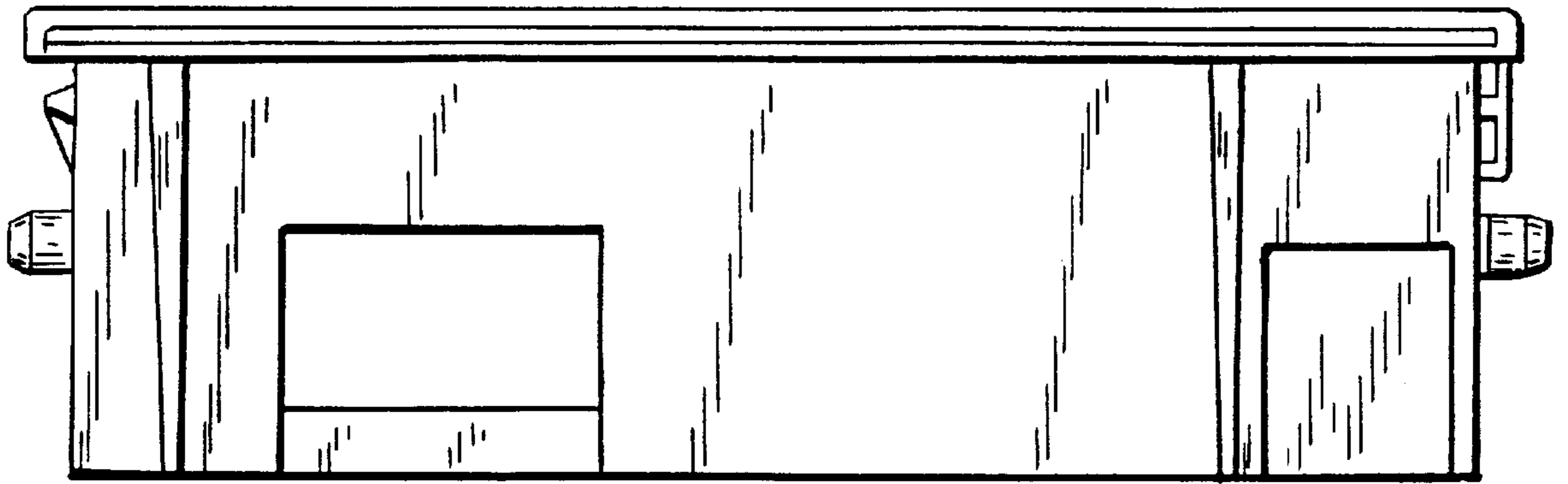


FIG. 6