



US00D430283S

United States Patent [19]
Wu

[11] **Patent Number: Des. 430,283**

[45] **Date of Patent: ** Aug. 29, 2000**

[54] **COVER FOR A CEILING FAN SHAFT**

4,518,314 5/1985 Schultz 416/5
5,135,365 8/1992 Bogage 5/416

[75] Inventor: **San-Chi Wu**, Taichung, Taiwan

Primary Examiner—Lisa Lichtenstein
Attorney, Agent, or Firm—Sheridan Ross P.C.

[73] Assignee: **Chien Luen Industries Co., Ltd.**,
Taichung, Taiwan

[**] Term: **14 Years**

[57] **CLAIM**

The ornamental design for a cover for a ceiling fan shaft, as shown and described.

[21] Appl. No.: **29/120,125**

DESCRIPTION

[22] Filed: **Mar. 14, 2000**

[51] **LOC (7) Cl.** **23-04**

[52] **U.S. Cl.** **D23/411**

[58] **Field of Search** D23/411, 377,
D23/379, 385; 416/5

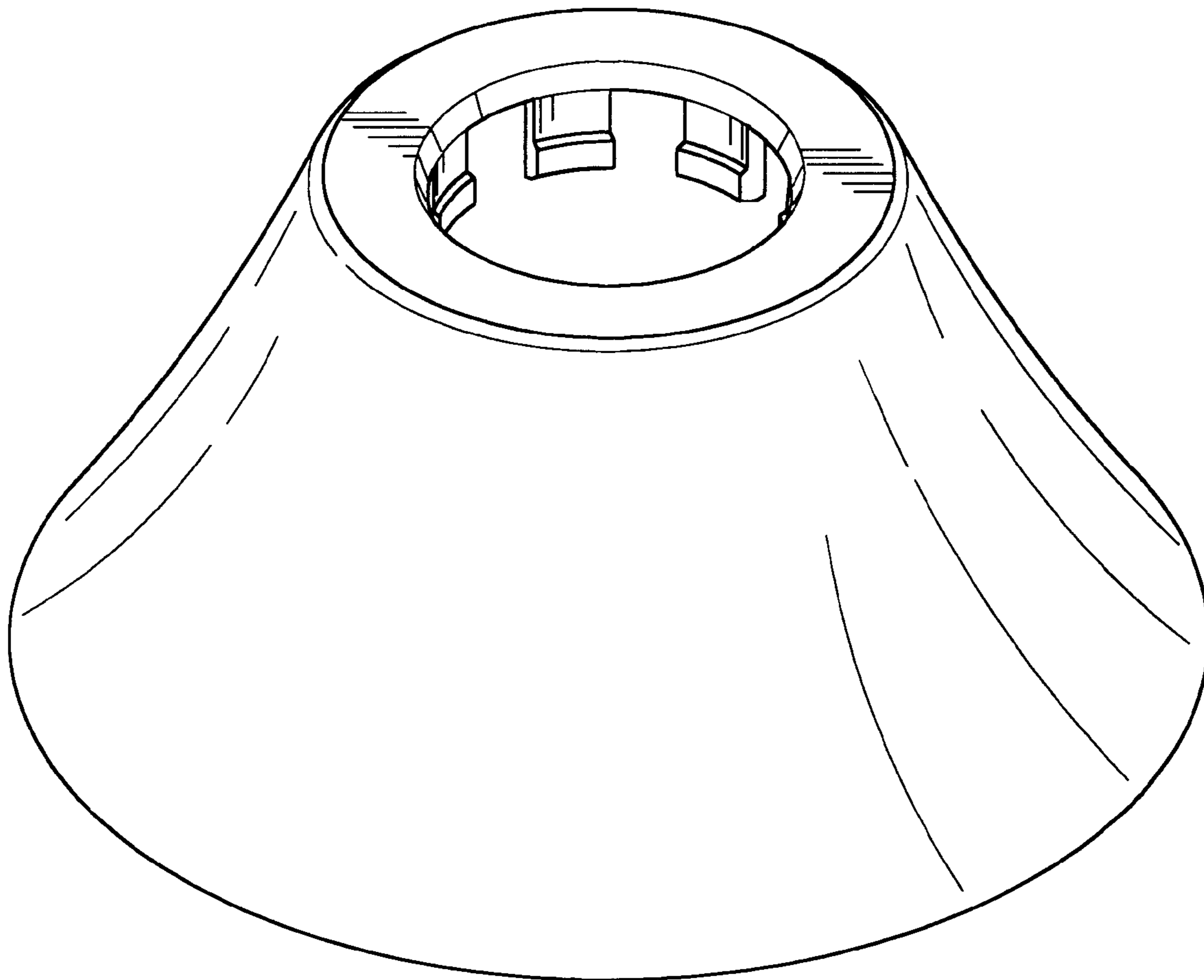
FIG. 1 is a perspective view of a cover for a ceiling fan shaft showing my new design;
FIG. 2 is a front elevational view thereof;
FIG. 3 is a rear elevational view thereof;
FIG. 4 is a left side elevational view thereof;
FIG. 5 is a right side elevational view thereof;
FIG. 6 is a top plan view thereof; and,
FIG. 7 is a bottom plan view thereof.

[56] **References Cited**

U.S. PATENT DOCUMENTS

D. 31,900 11/1899 Brown D23/411

1 Claim, 4 Drawing Sheets



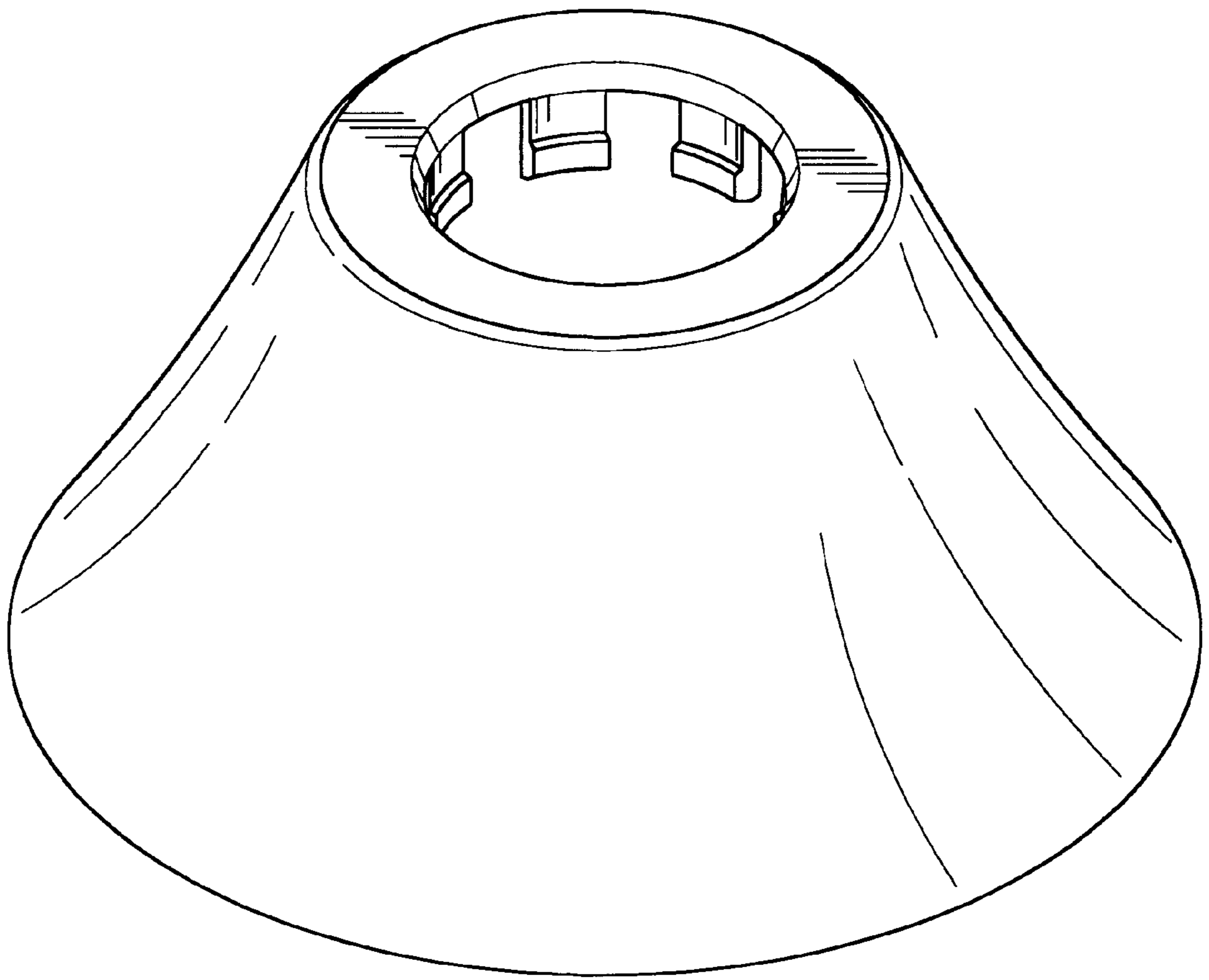


FIG. 1

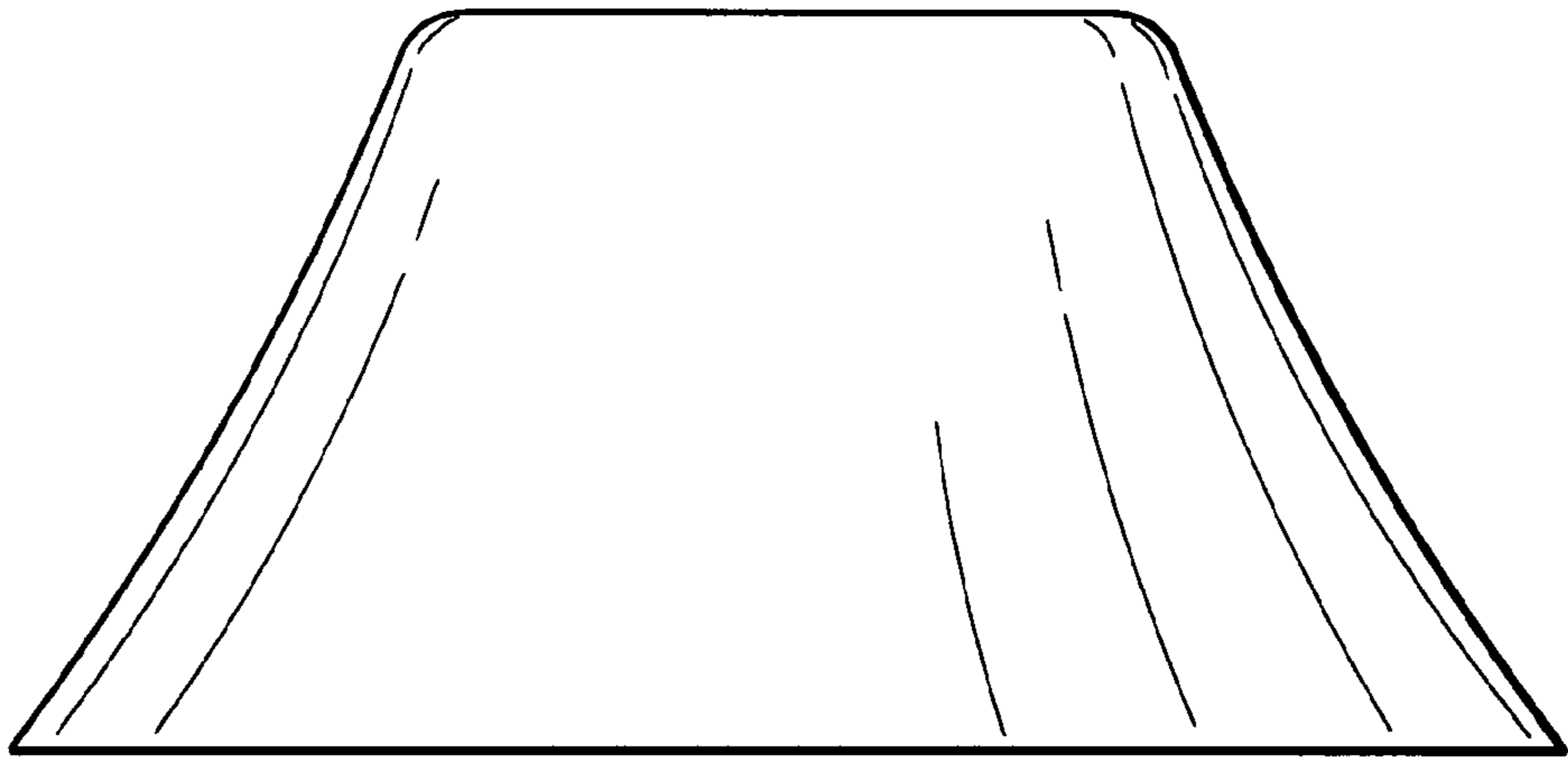


FIG. 2

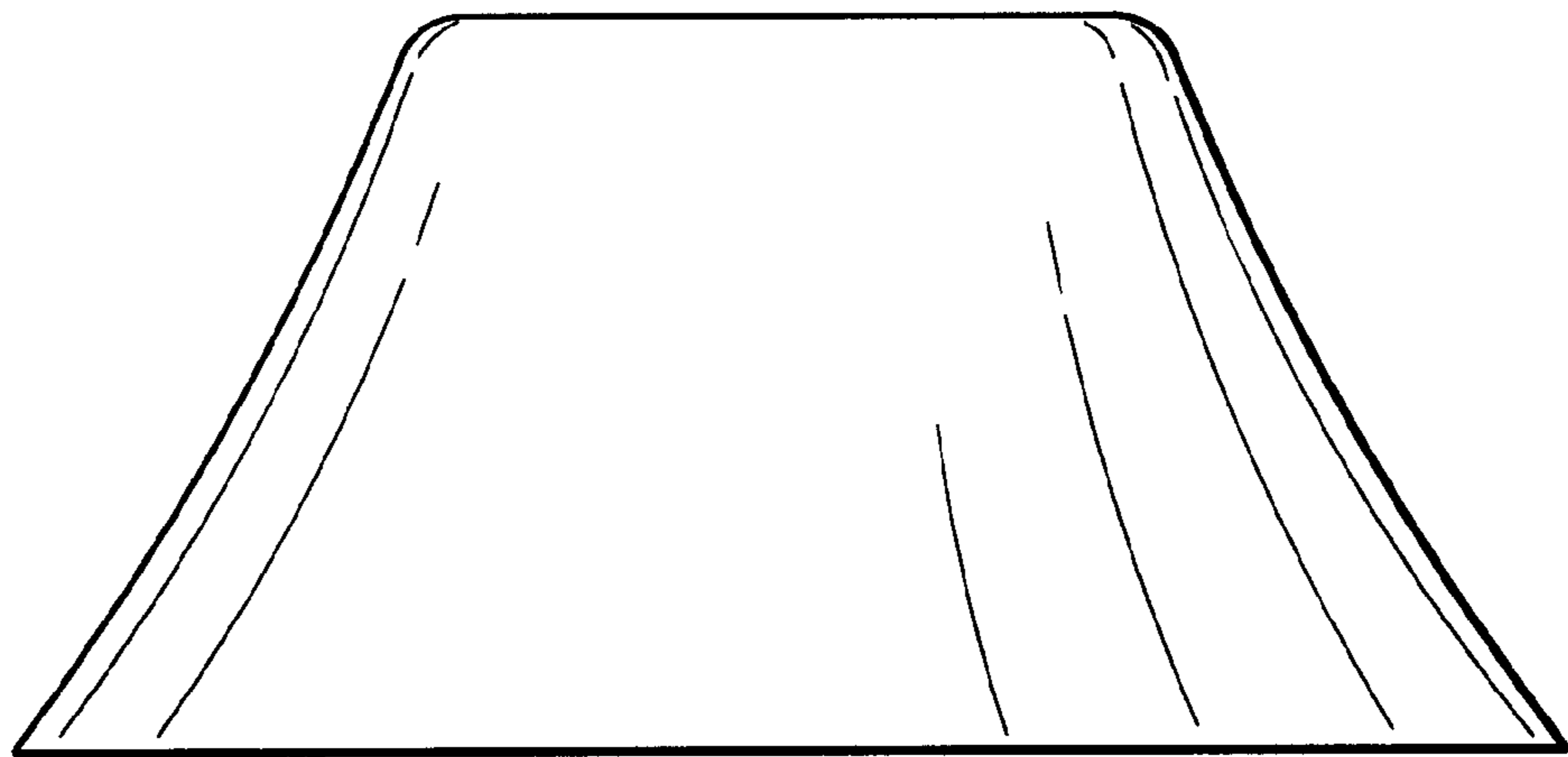


FIG. 3

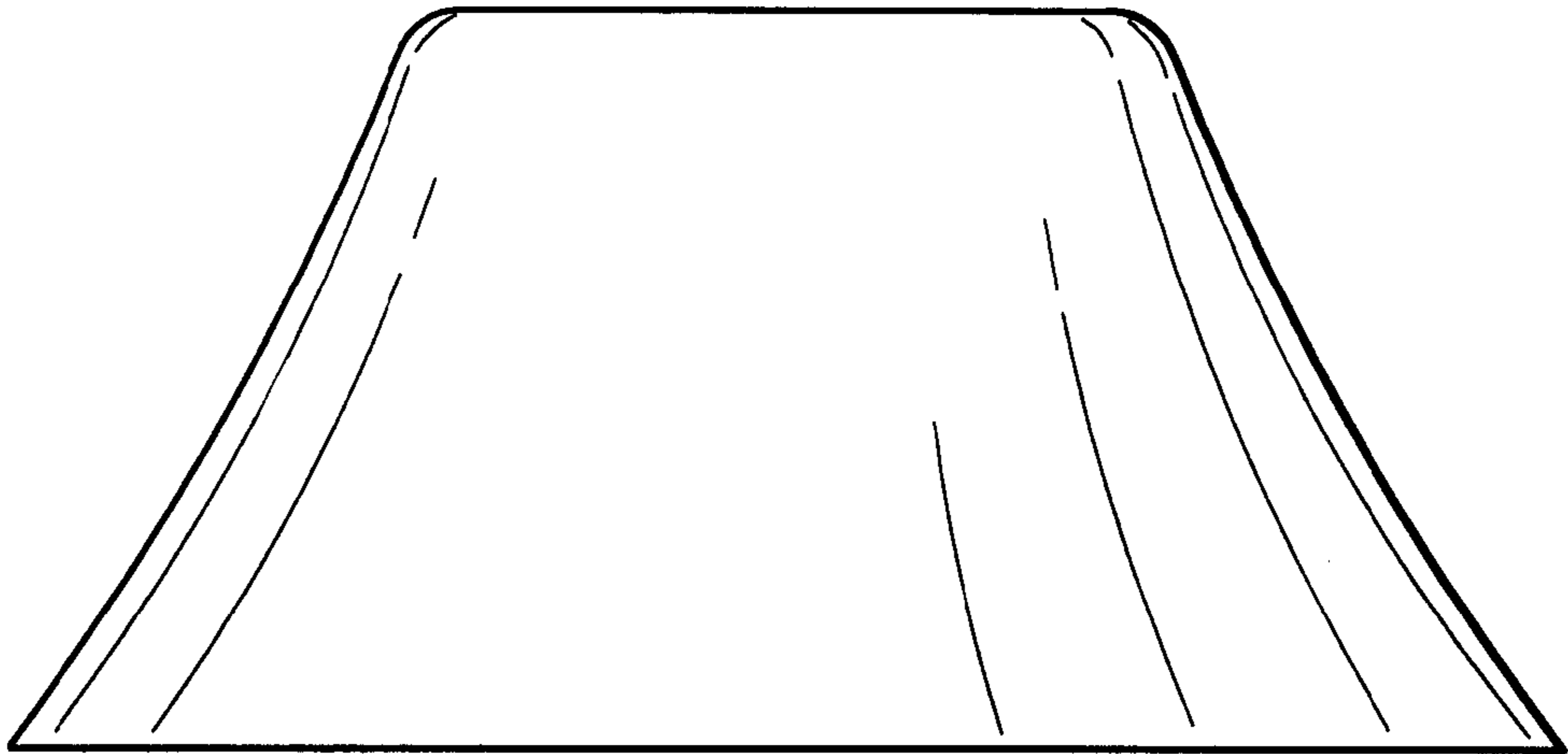


FIG. 4

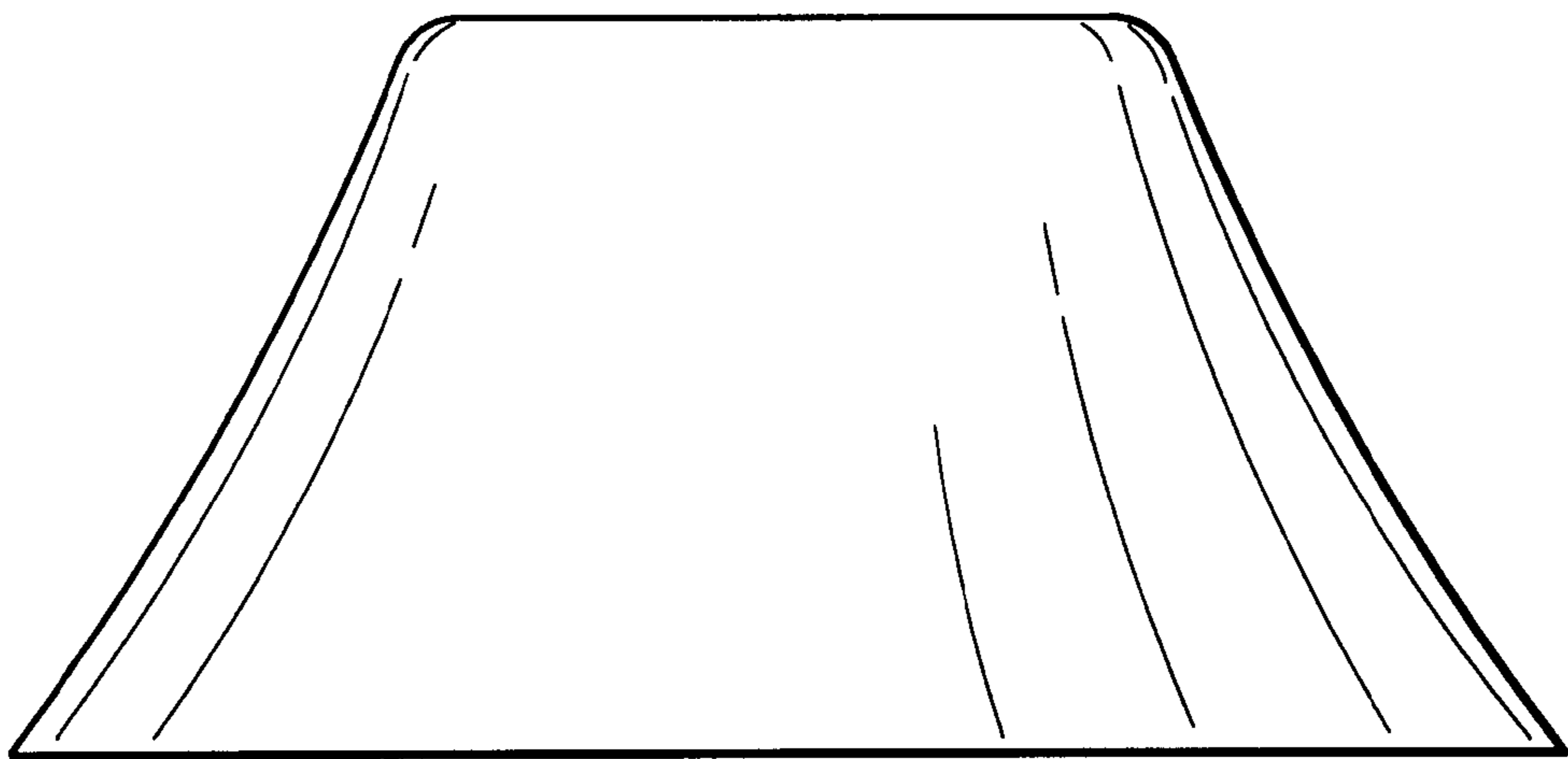


FIG. 5

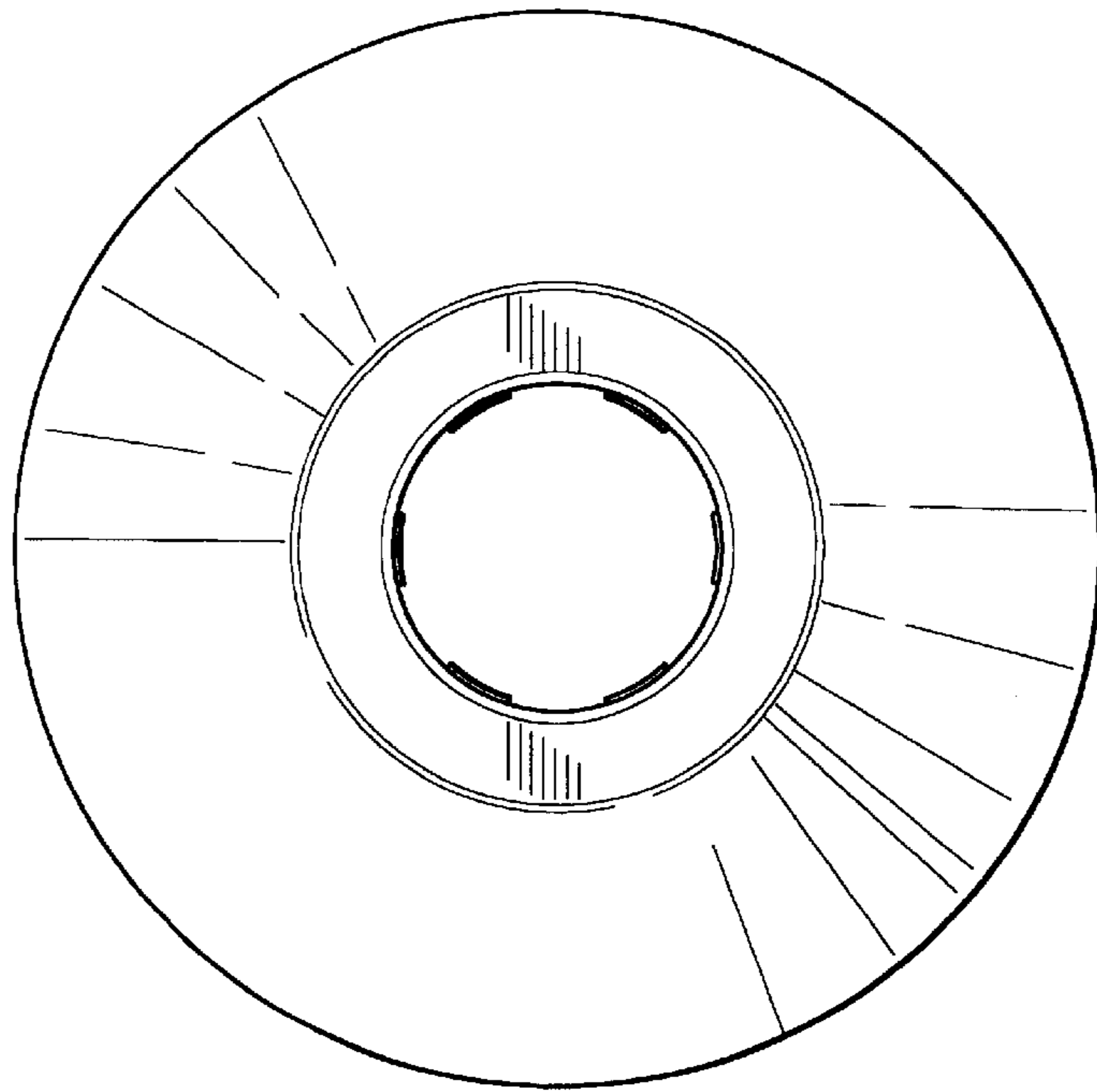


FIG. 6

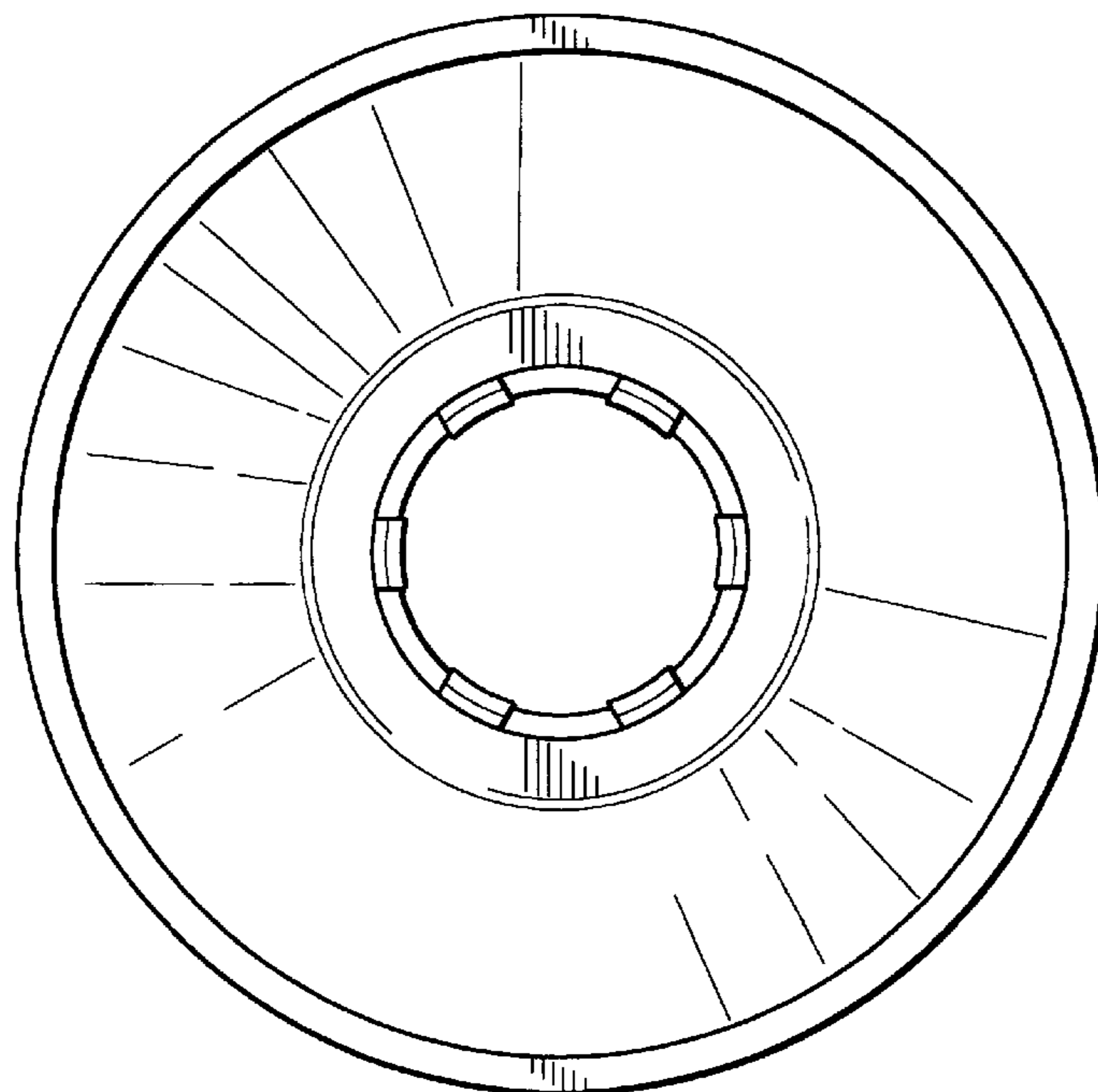


FIG. 7