



US00D430280S

# United States Patent [19] Huang

[11] **Patent Number: Des. 430,280**

[45] **Date of Patent: \*\* Aug. 29, 2000**

[54] **COMBINED LIGHT AND CEILING FAN**

[75] Inventor: **Stuart T. G. Huang**, Corona, Calif.

[73] Assignee: **Great 2000 Enterprises, Inc.**, Corona, Calif.

[\*\*] Term: **14 Years**

[21] Appl. No.: **29/115,837**

[22] Filed: **Dec. 20, 1999**

[51] **LOC (7) Cl.** ..... **23-04**

[52] **U.S. Cl.** ..... **D23/377; D23/379; D23/385; D26/59**

[58] **Field of Search** ..... **D23/377, 379, D23/385, 411, 413; 416/5; D26/59, 51, 81-86, 88**

[56] **References Cited**

**U.S. PATENT DOCUMENTS**

D. 414,860 10/1999 Thomas, Jr. .... D23/411

*Primary Examiner*—Lisa Lichtenstein  
*Attorney, Agent, or Firm*—Sheldon & Mak

[57] **CLAIM**

The ornamental design for a combined light and ceiling fan, as shown and described.

**DESCRIPTION**

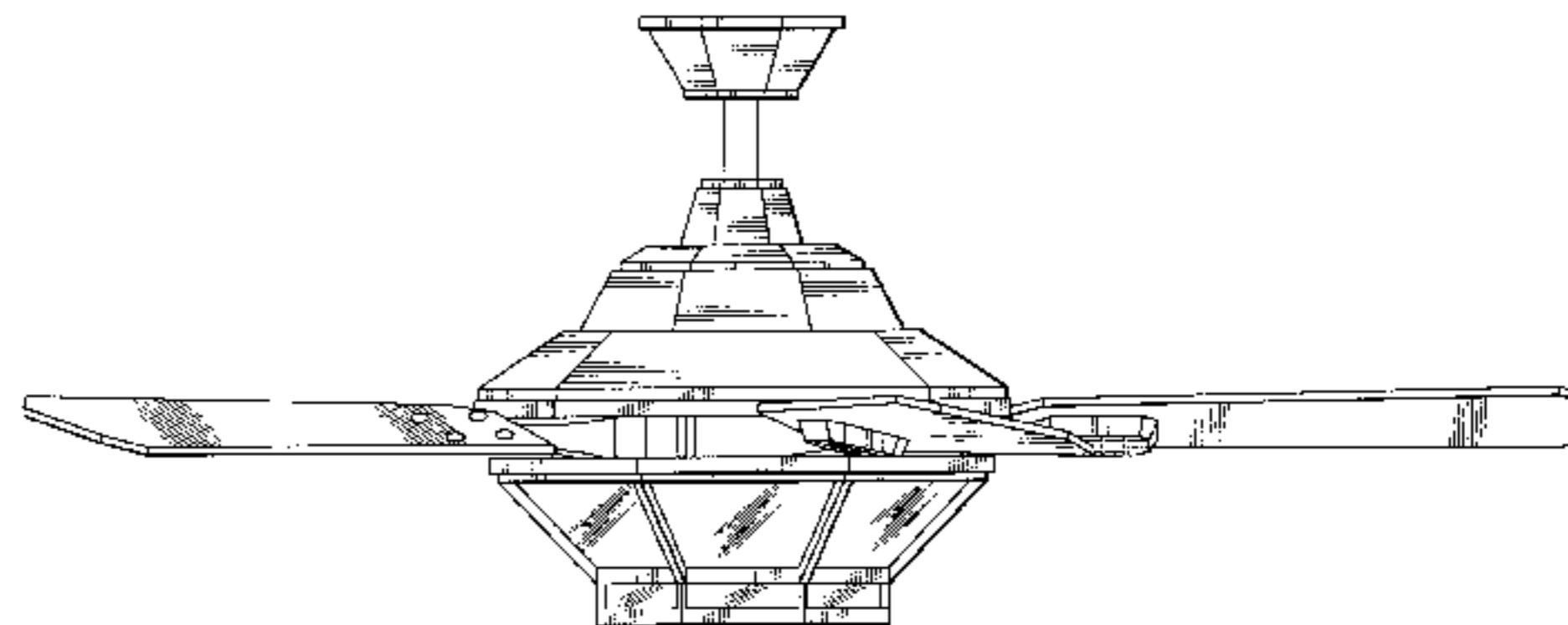
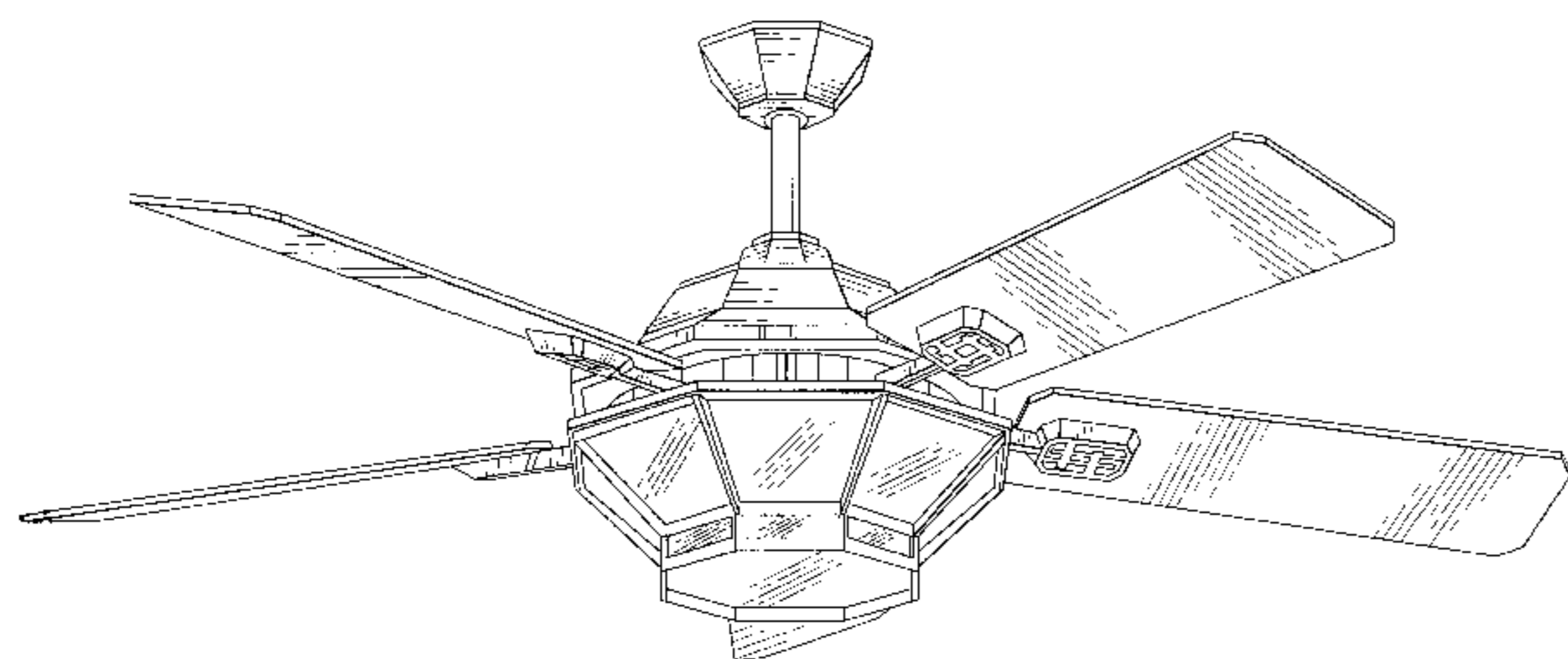
FIG. 1 is a perspective view of a combined light and ceiling fan showing my new design;

FIG. 2 is a bottom plan, view thereof;

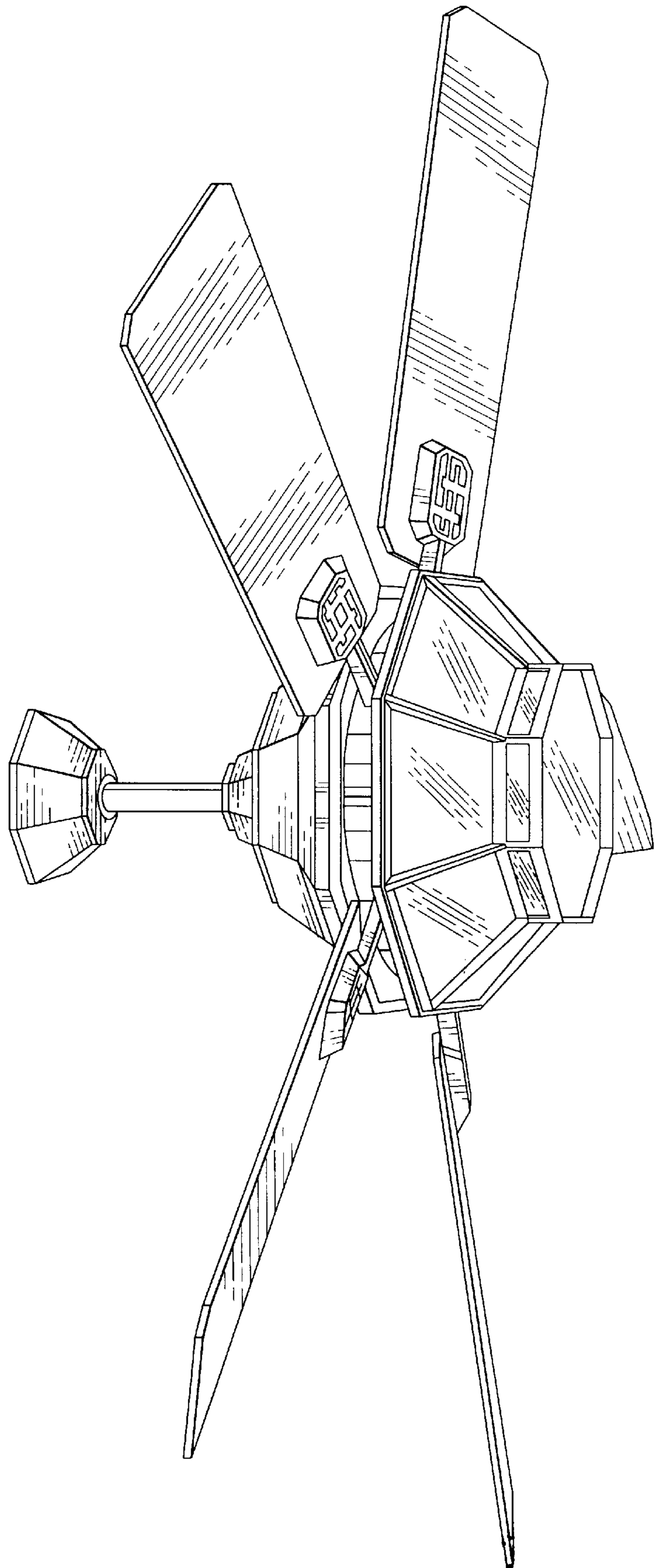
FIG. 3 is a top plan, view thereof; and,

FIG. 4 is a side elevational view thereof, the opposite side being a mirror image of that shown.

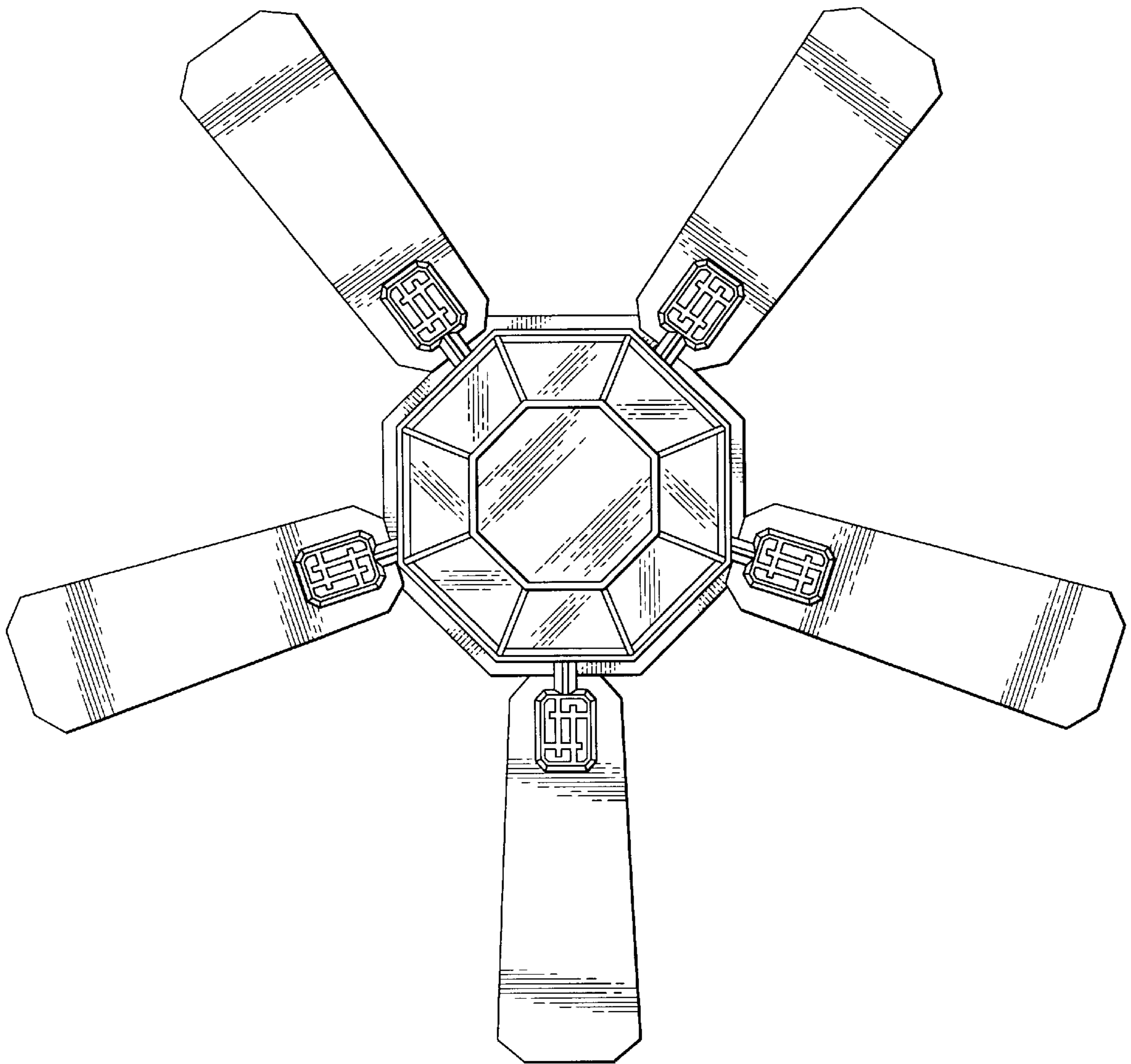
**1 Claim, 4 Drawing Sheets**



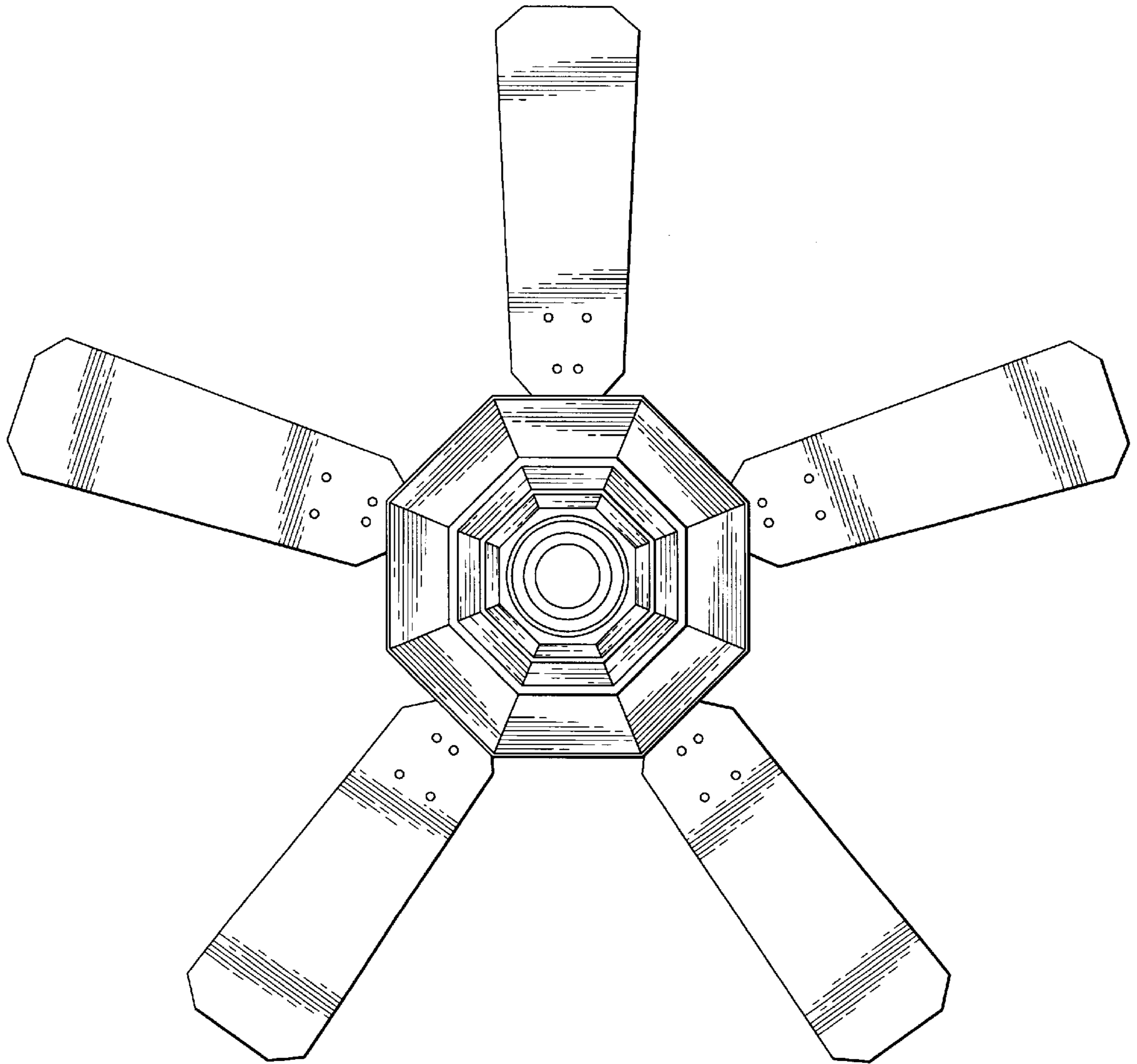
*FIG. 1*



*FIG. 2*



*FIG. 3*



*FIG. 4*

