



US00D430277S

# United States Patent [19] Schmülling

[11] Patent Number: **Des. 430,277**

[45] Date of Patent: **\*\* Aug. 29, 2000**

[54] AIR CONDITIONING APPARATUS

[75] Inventor: **Ralf Schmülling**, Pamplona, Spain

[73] Assignee: **BSH and Fedders International Air Conditioning, S.A.**, Estella, Spain

[\*\*] Term: **14 Years**

[21] Appl. No.: **29/100,646**

[22] Filed: **Feb. 16, 1999**

### [30] Foreign Application Priority Data

Aug. 13, 1998 [ES] Spain ..... 143.435

[51] LOC (7) Cl. .... **23-04**

[52] U.S. Cl. .... **D23/333; D23/351**

[58] Field of Search ..... D23/351-354,  
D23/333, 324, 325, 327, 335; 312/236;  
62/125, 239, 244, 262, 263, 259.1, 277;  
292/37.6; 454/233, 201

### [56] References Cited

#### U.S. PATENT DOCUMENTS

D. 178,229 7/1956 Essman et al. .... D23/333  
D. 186,739 11/1959 Glassenhart et al. .... D23/333

D. 228,768 10/1973 Borowiec ..... D23/325  
D. 342,780 12/1993 Pendergrast et al. .... D23/333  
D. 397,429 8/1998 Vignot ..... D23/351  
3,444,700 5/1969 Beyer .  
3,916,639 11/1975 Atkinson ..... 62/239  
4,022,599 5/1977 Wilson et al. .... 62/244

Primary Examiner—B. J. Bullock  
Attorney, Agent, or Firm—Klauber & Jackson

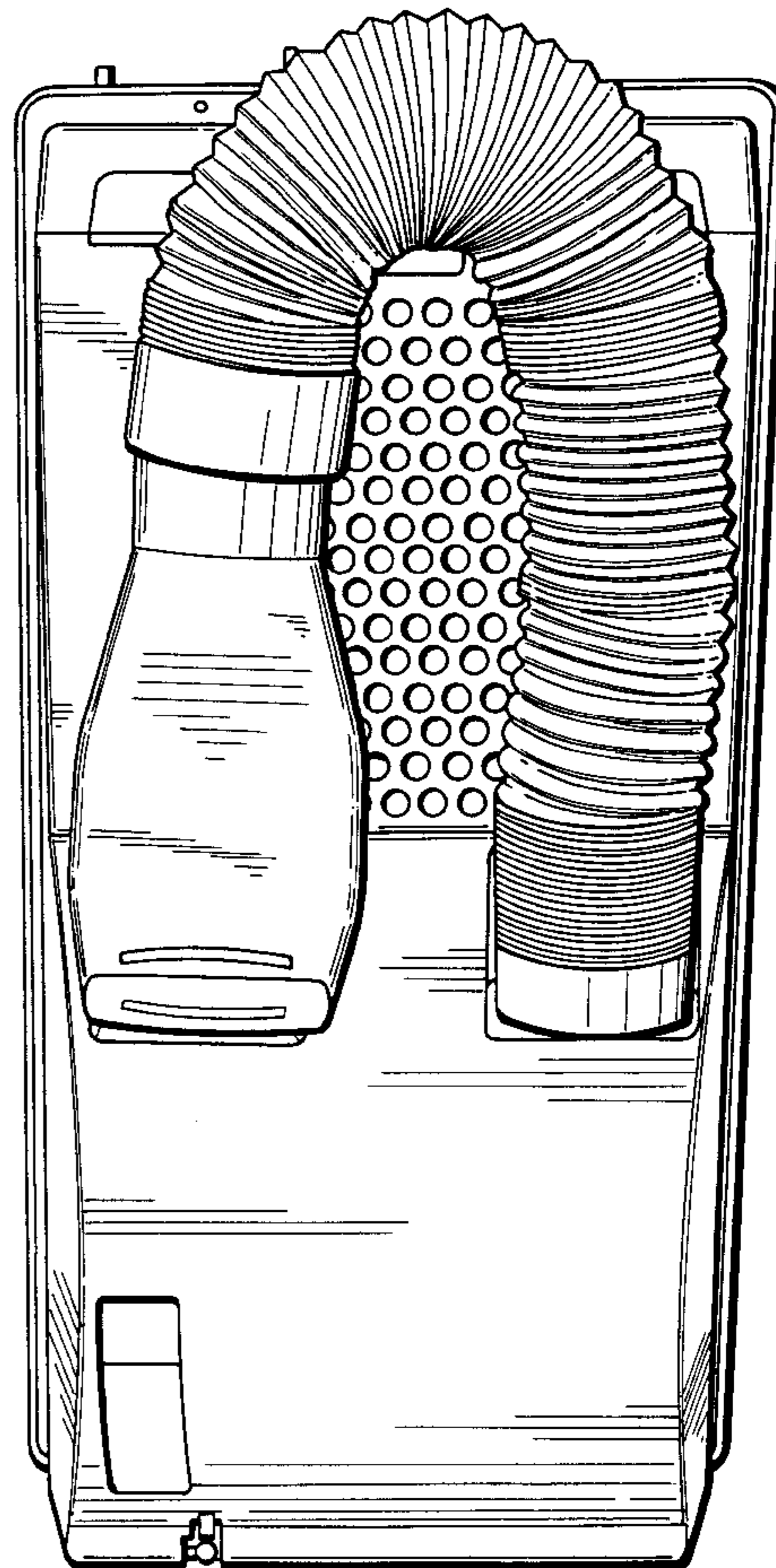
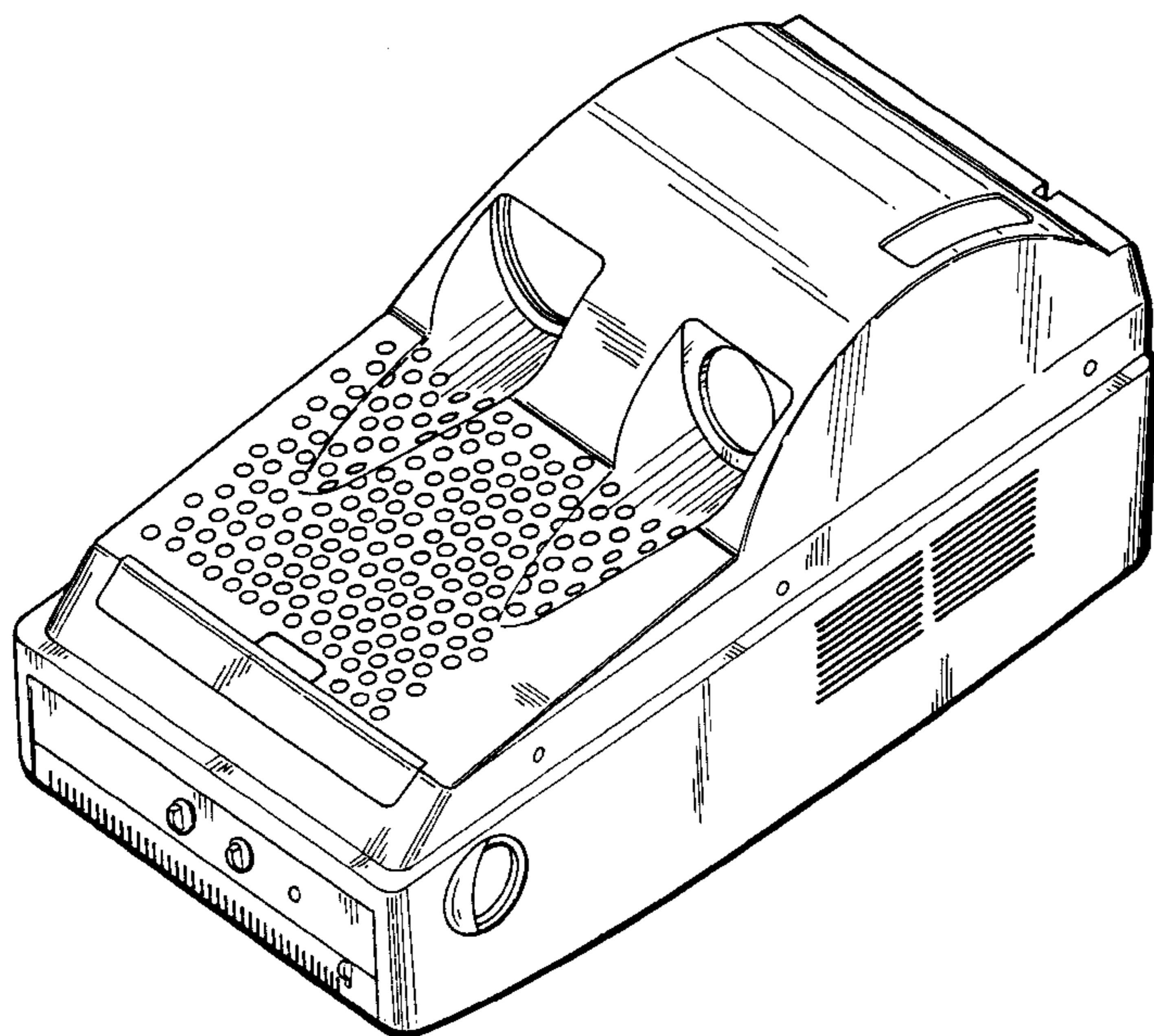
### [57] CLAIM

The ornamental design for an air conditioning apparatus, as shown and described.

### DESCRIPTION

FIG. 1 is a right bottom front perspective view, showing the air conditioning apparatus of my new design, the air hose omitted for clarity of illustration;  
FIG. 2 is a right top front perspective view thereof;  
FIG. 3 is an enlarged bottom plan view thereof;  
FIG. 4 is a top view thereof with an air hose installed;  
FIG. 5 is a bottom view thereof similar to FIG. 3;  
FIG. 6 is a right side view of the air conditioning apparatus shown in FIGS. 4 and 5;  
FIG. 7 is a left side view thereof; and,  
FIG. 8 is a front perspective view thereof.

**1 Claim, 8 Drawing Sheets**



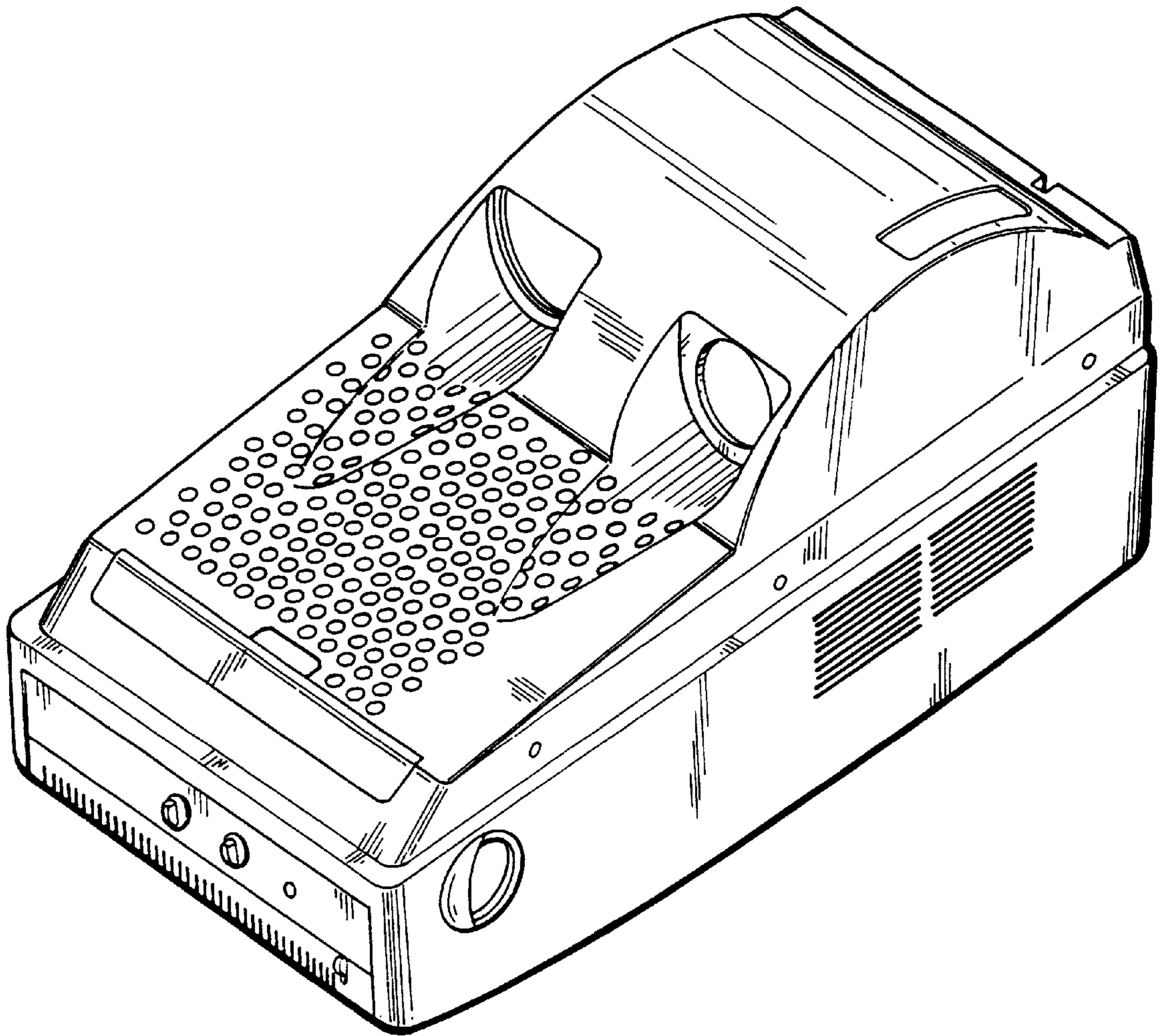


FIG.1



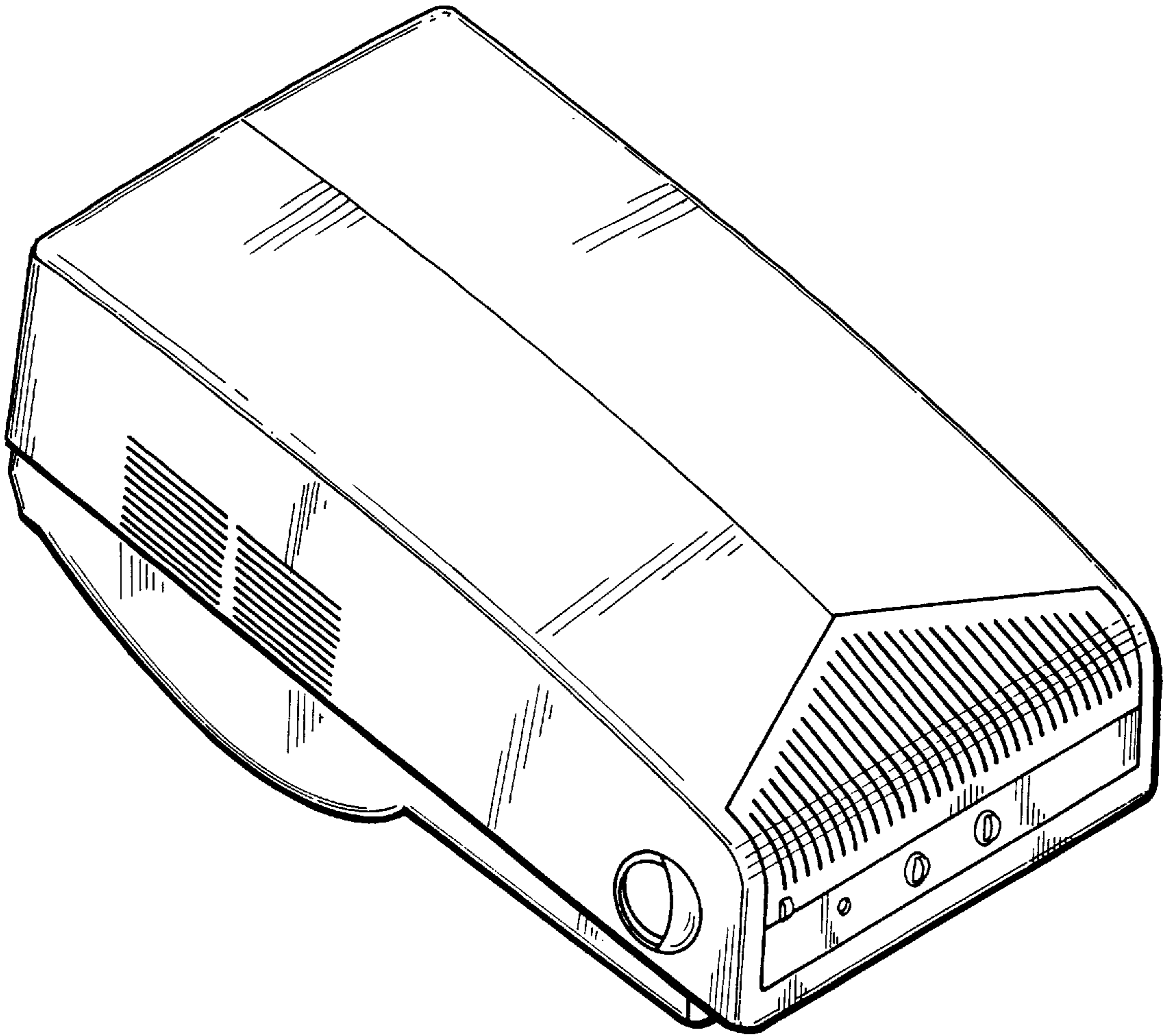


FIG. 2

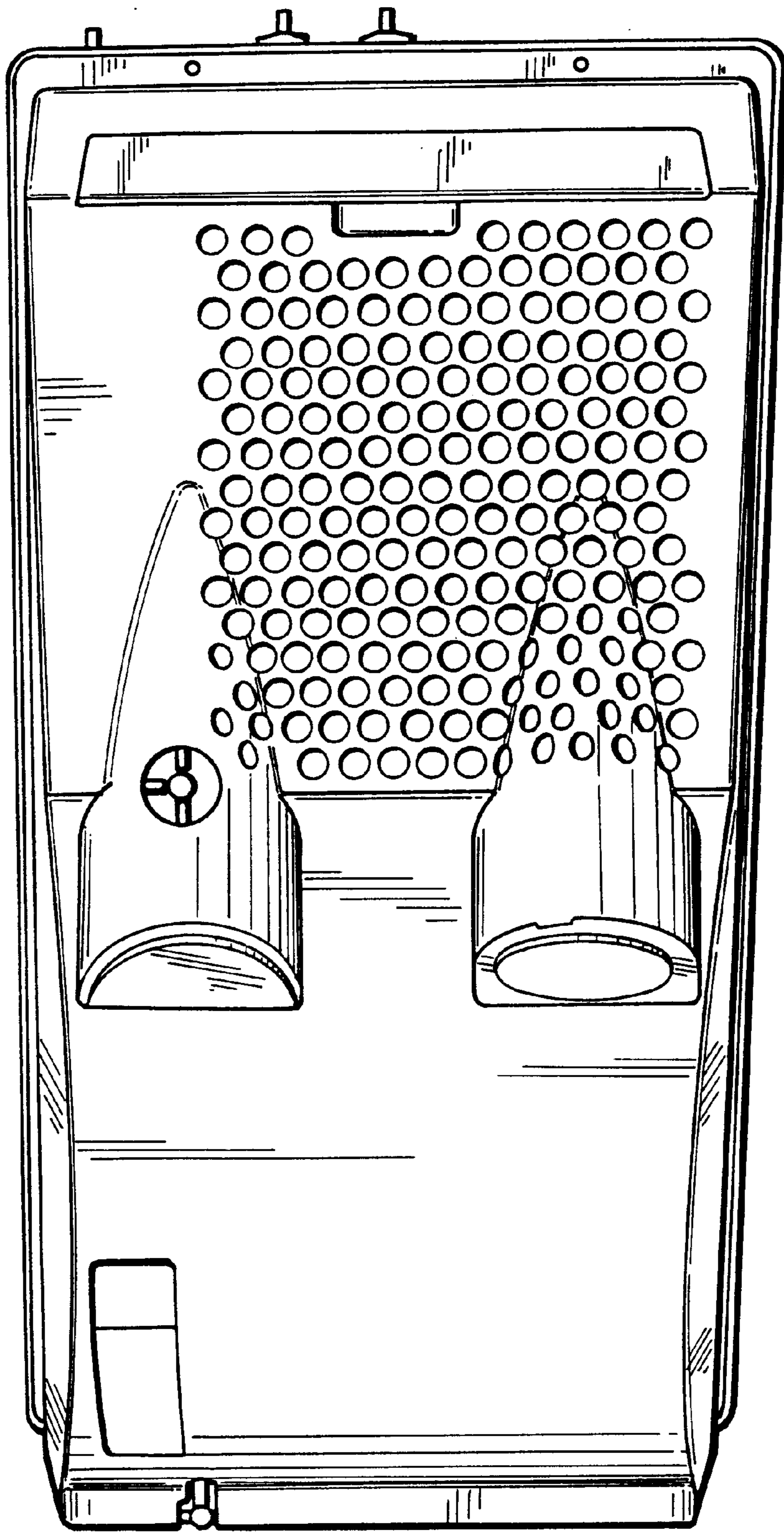


FIG.3

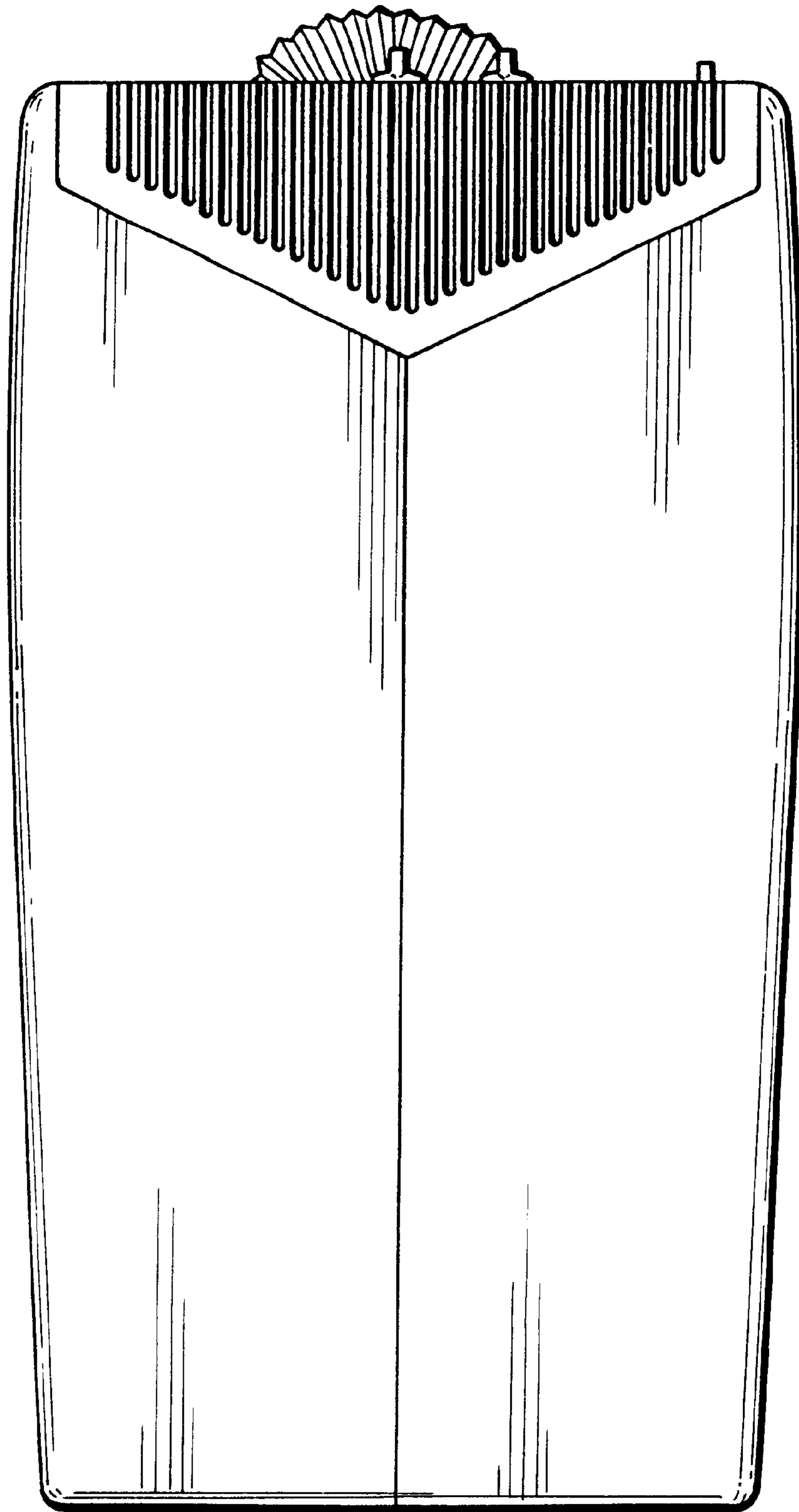


FIG.4

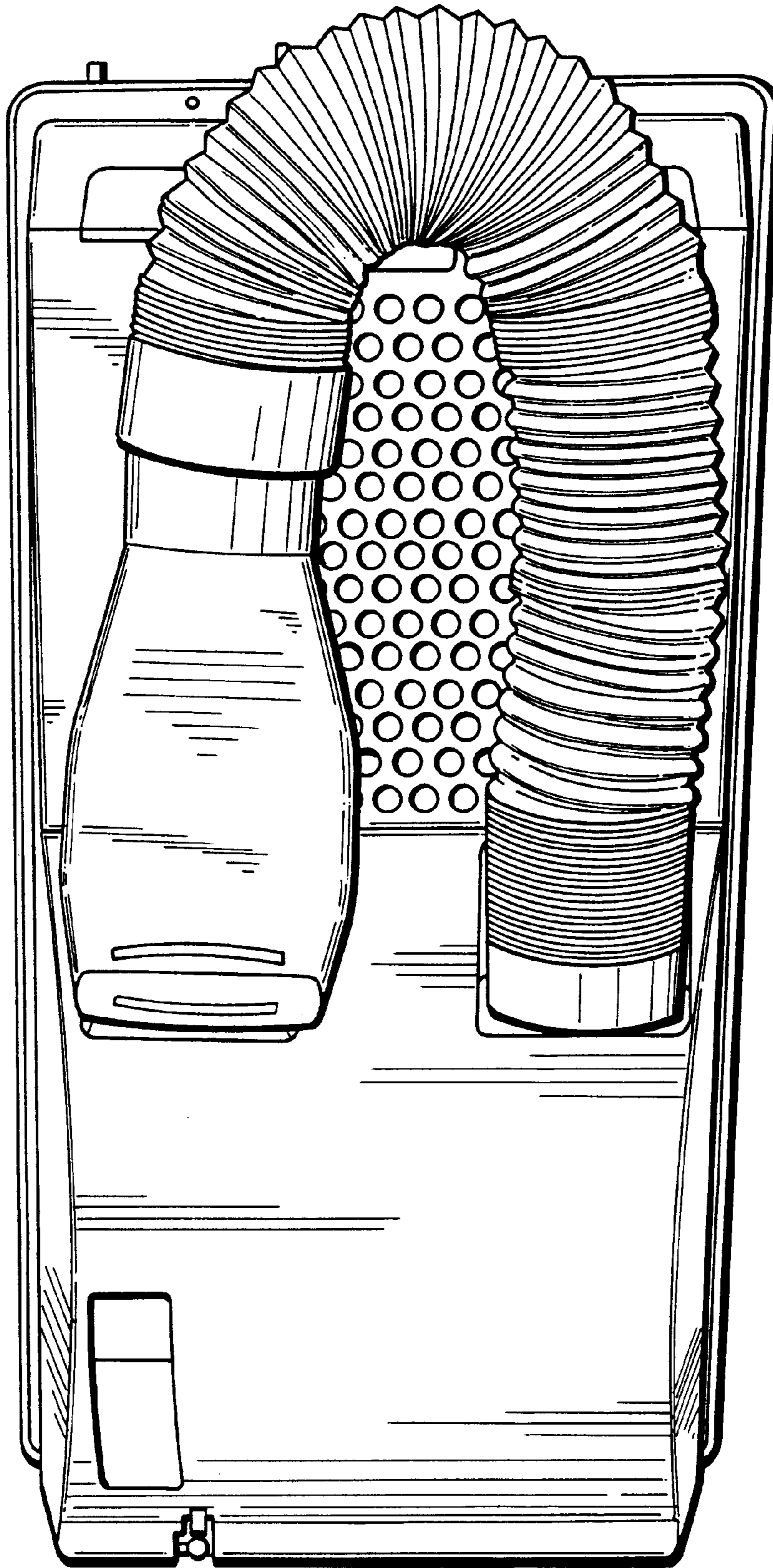


FIG. 5



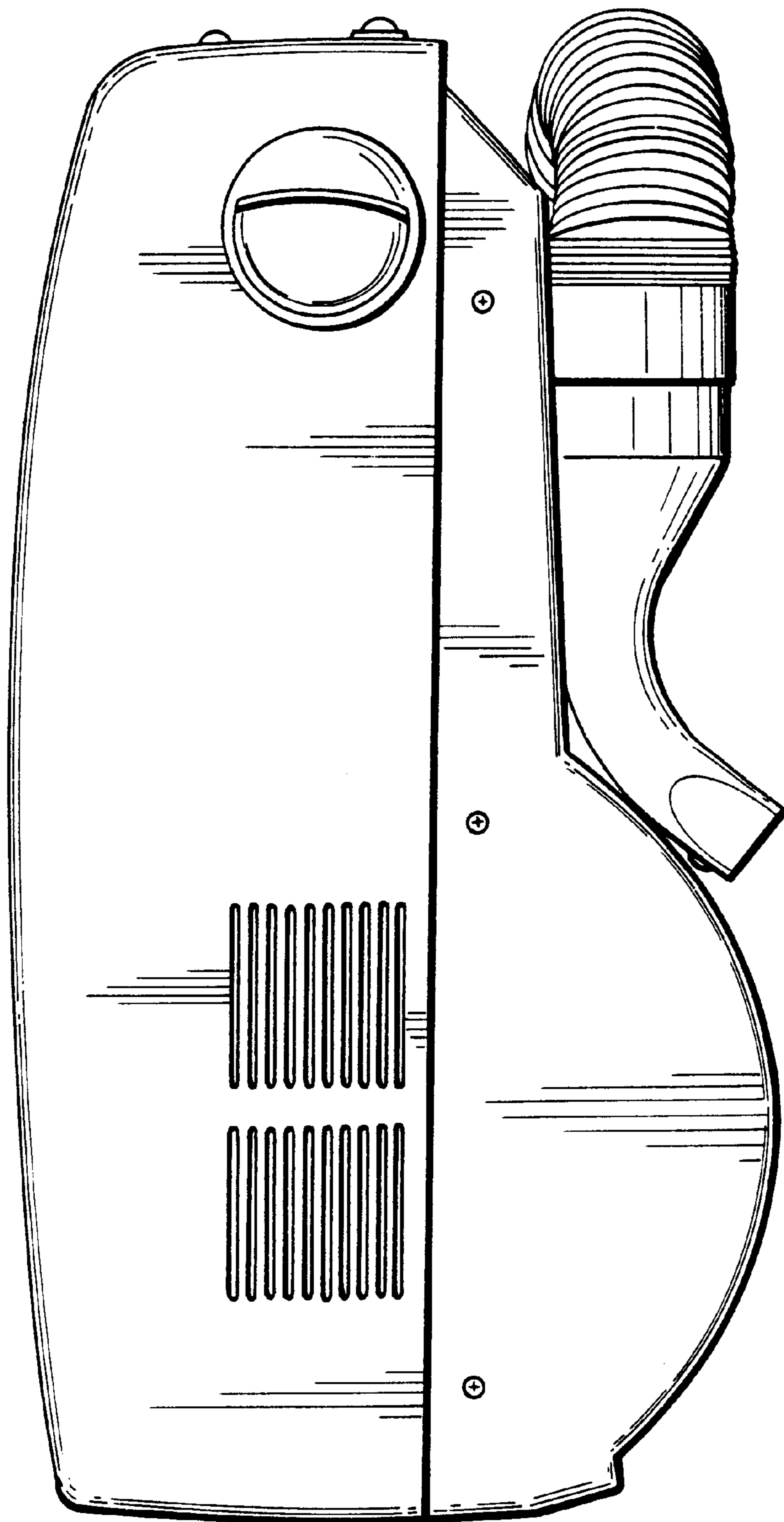


FIG.6

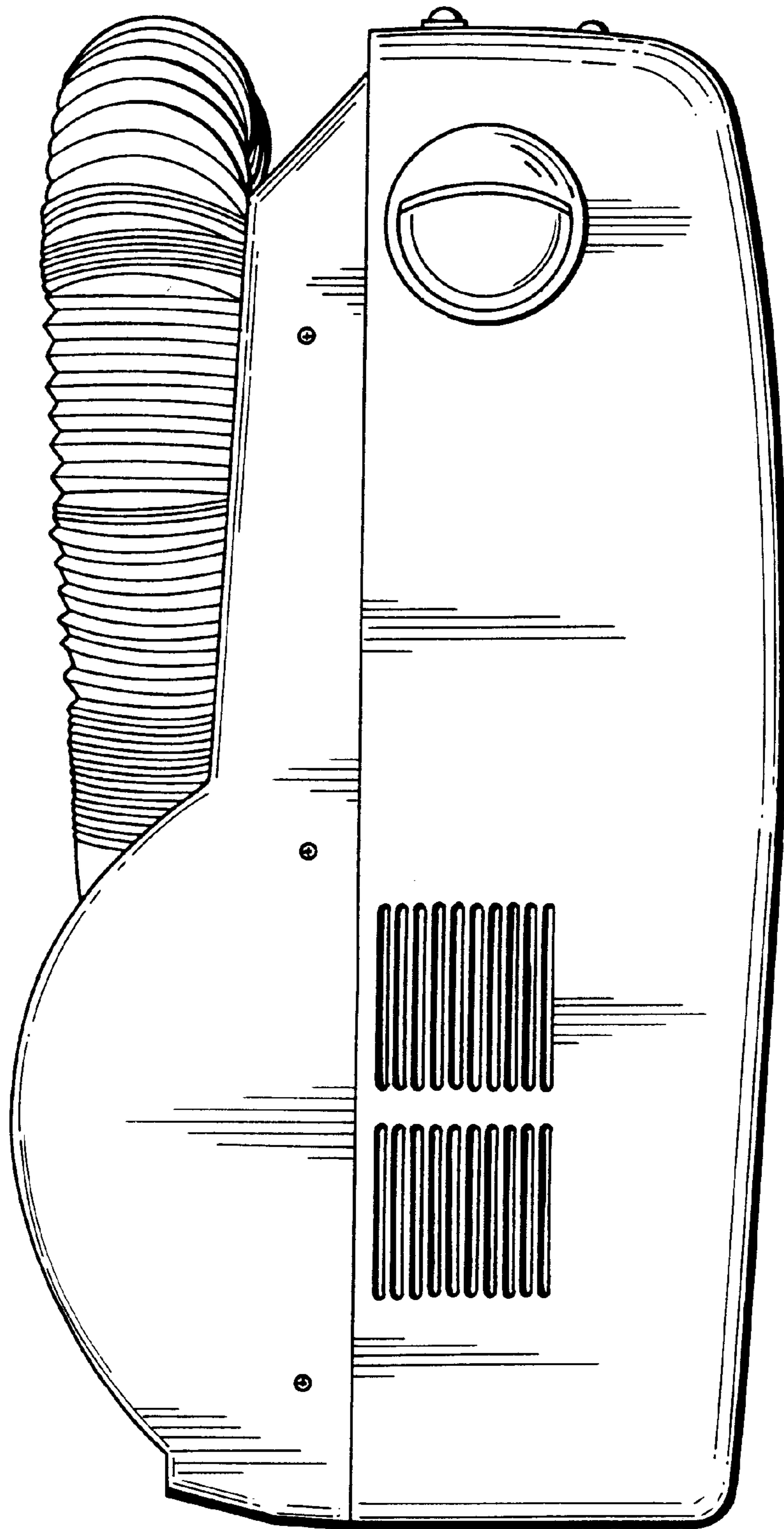


FIG.7



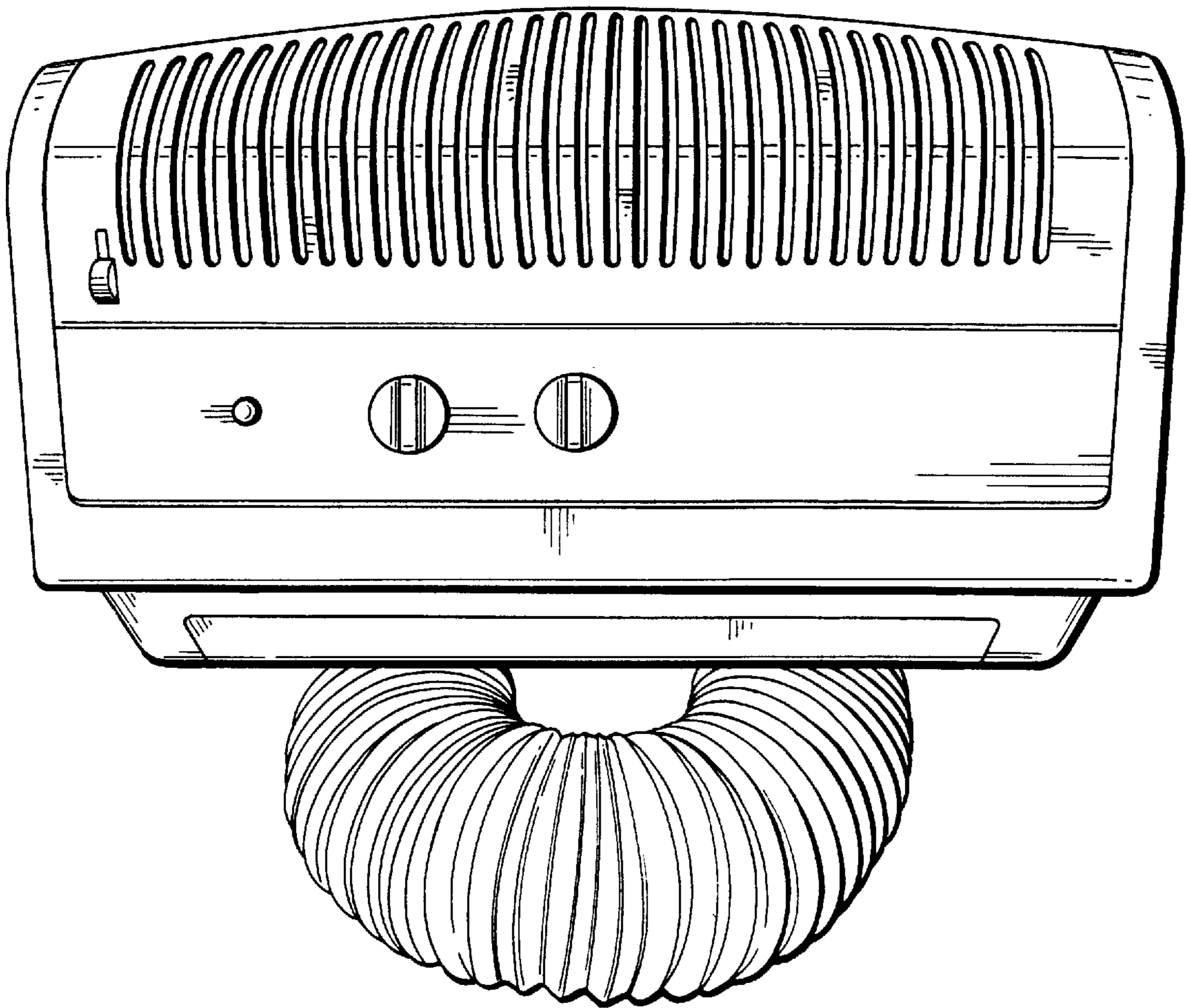


FIG.8