

US00D430276S

United States Patent [19]

[11] Patent Number: Des. 430,276

Swensson et al.

[45] Date of Patent: ** Aug. 29, 2000

[54] NARROW VANITY UNIT

[75] Inventors: Earl S. Swensson, Franklin; David S. Gilbert, Hermitage; George P. McAllister, Jr., Franklin; Joseph L. Miles, Jr., White Bluff, all of Tenn.

[73] Assignee: Wellness, LLC, Nashville, Tenn.

[**] Term: 14 Years

[21] Appl. No.: 29/107,827

[22] Filed: Jul. 14, 1999

2,419,319	4/1947	Lankton	20/2
3,047,106	7/1962	Callahan	189/1
3,455,620	7/1969	Coburn	312/209
3,458,871	8/1969	Valcervo	4/3
3,567,842	3/1971	Meyer	174/48
3,585,767	6/1971	Torsten et al.	52/79
3,953,093	4/1976	Hero	312/245
4,116,509	9/1978	Smith	312/259 R
4,130,123	12/1978	Wines, Jr. et al.	134/56 R
4,171,545	10/1979	Kann	4/1
4,171,596	10/1979	Varlonga	52/79.5
4,221,441	9/1980	Bain	312/228
4,475,322	10/1984	Russo et al.	52/27
4,840,000	6/1989	Grines	52/36
5,107,636	4/1992	Schindele et al.	52/27
5,652,976	8/1997	Hopper	4/664

Related U.S. Application Data

[63] Continuation-in-part of application No. 09/266,571, Mar. 11, 1999, and application No. 29/101,949, Mar. 15, 1999.

[51] LOC (7) Cl. 23-02

[52] U.S. Cl. D23/286

[58] Field of Search D23/271-275, D23/284-294; D6/559, 561; 4/580, 619, 630-636, 639, 640, 642, 650-660, DIG. 18; 52/35

References Cited

U.S. PATENT DOCUMENTS

D. 091,320	1/1934	Gigi	D23/271
D. 168,317	12/1952	Rothenstein	D23/271
D. 189,247	11/1960	Plotraschke	D23/271
D. 225,848	1/1973	Fulton et al.	D23/271
D. 226,606	4/1973	Ament	D23/271
D. 251,732	5/1979	Kann	D23/271
D. 251,919	5/1979	Fuqua	D23/271
D. 288,267	2/1987	Meyer	D6/481
D. 300,058	2/1989	Emanuele et al.	D23/271
D. 331,100	11/1992	Jacobsen et al.	D23/271
D. 338,949	8/1993	Paulin et al.	D23/271
2,396,992	3/1946	Evans	4/2

Primary Examiner—Doris Clark
Attorney, Agent, or Firm—Lucian Wayne Beavers Waddey & Patterson

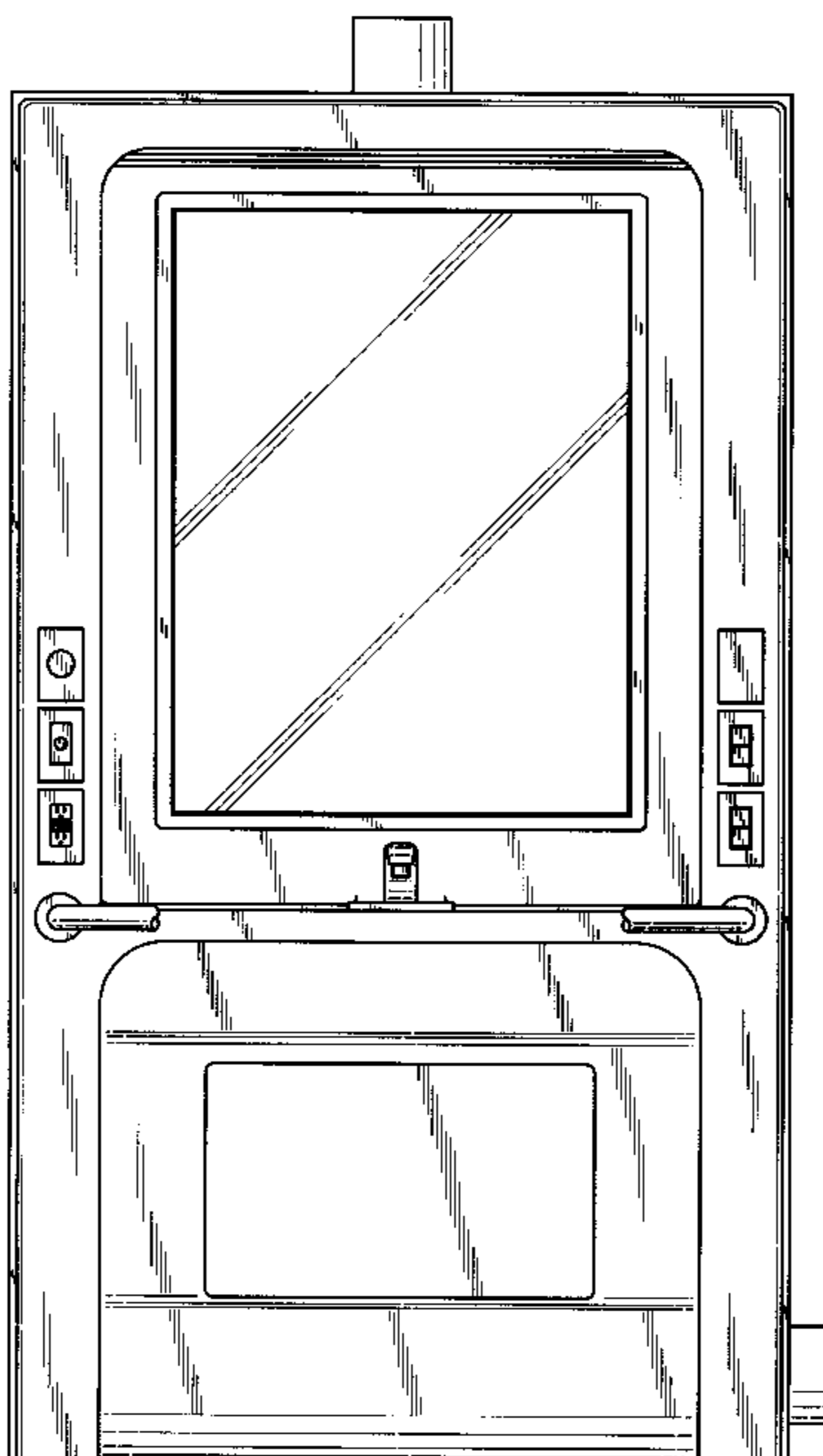
[57] CLAIM

What is claimed is the ornamental design for a narrow vanity unit, as shown and described.

DESCRIPTION

FIG. 1 is a top view showing the narrow vanity unit of Applicant's invention.
FIG. 2 is a front elevation of the narrow vanity unit of Applicant's invention.
FIG. 3 is a right side elevation of the narrow vanity unit of Applicant's invention.
FIG. 4 is a left side elevation of the narrow vanity unit of Applicant's invention.
FIG. 5 is a rear elevation of the narrow vanity unit of Applicant's invention; and,
FIG. 6 is a bottom view of the narrow vanity unit of Applicant's invention.

1 Claim, 4 Drawing Sheets



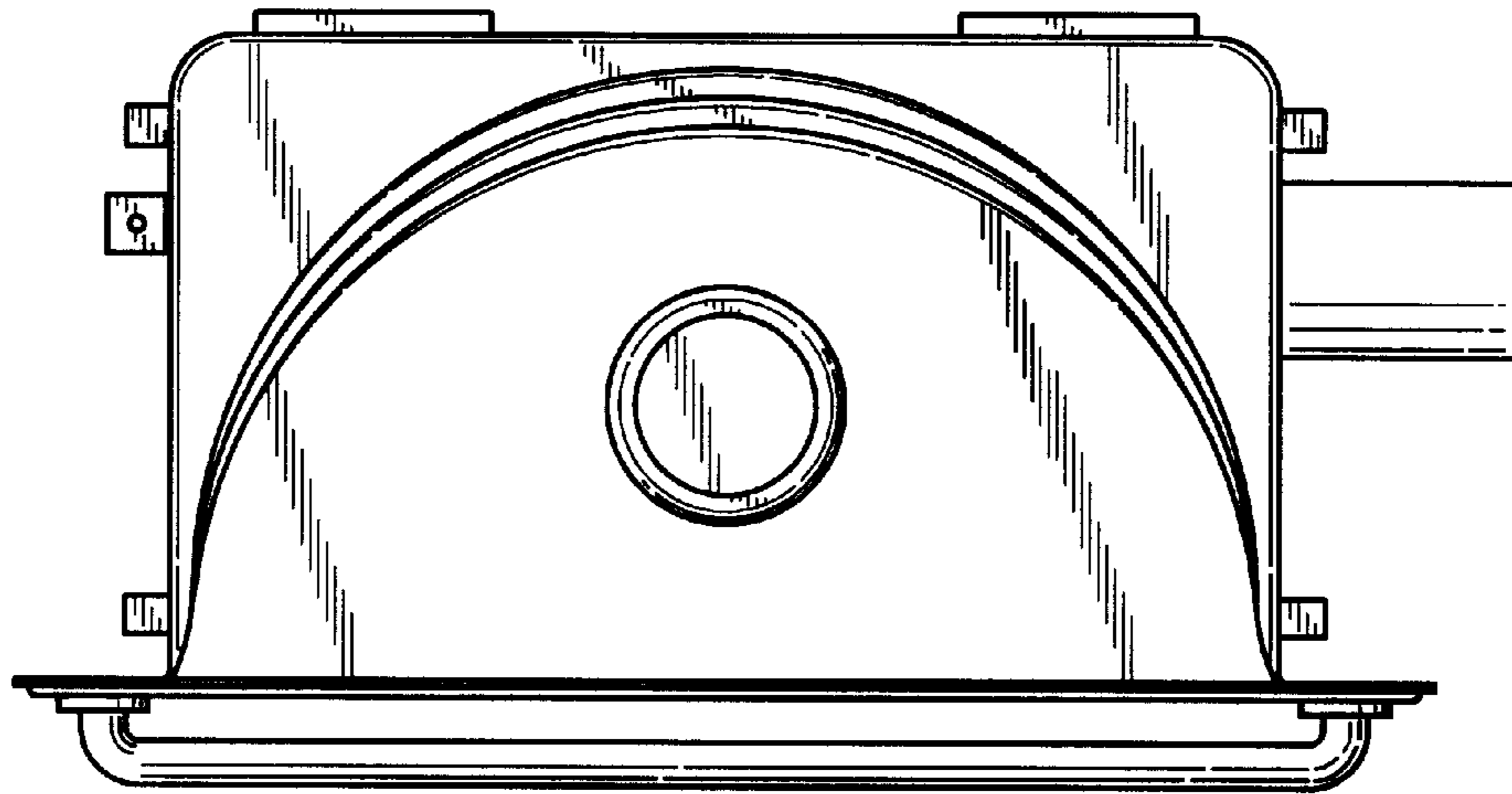


FIG. 1

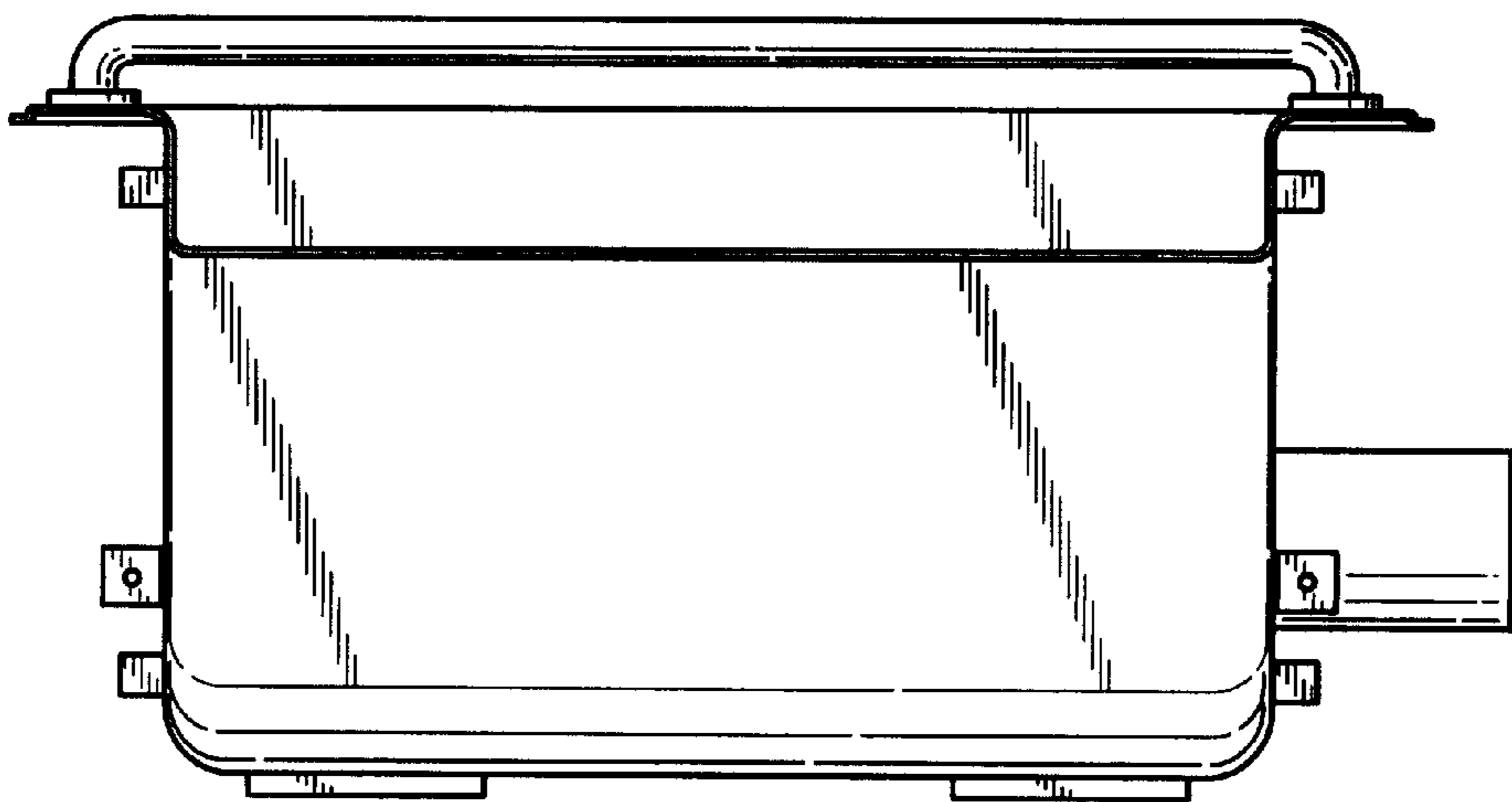


FIG. 6

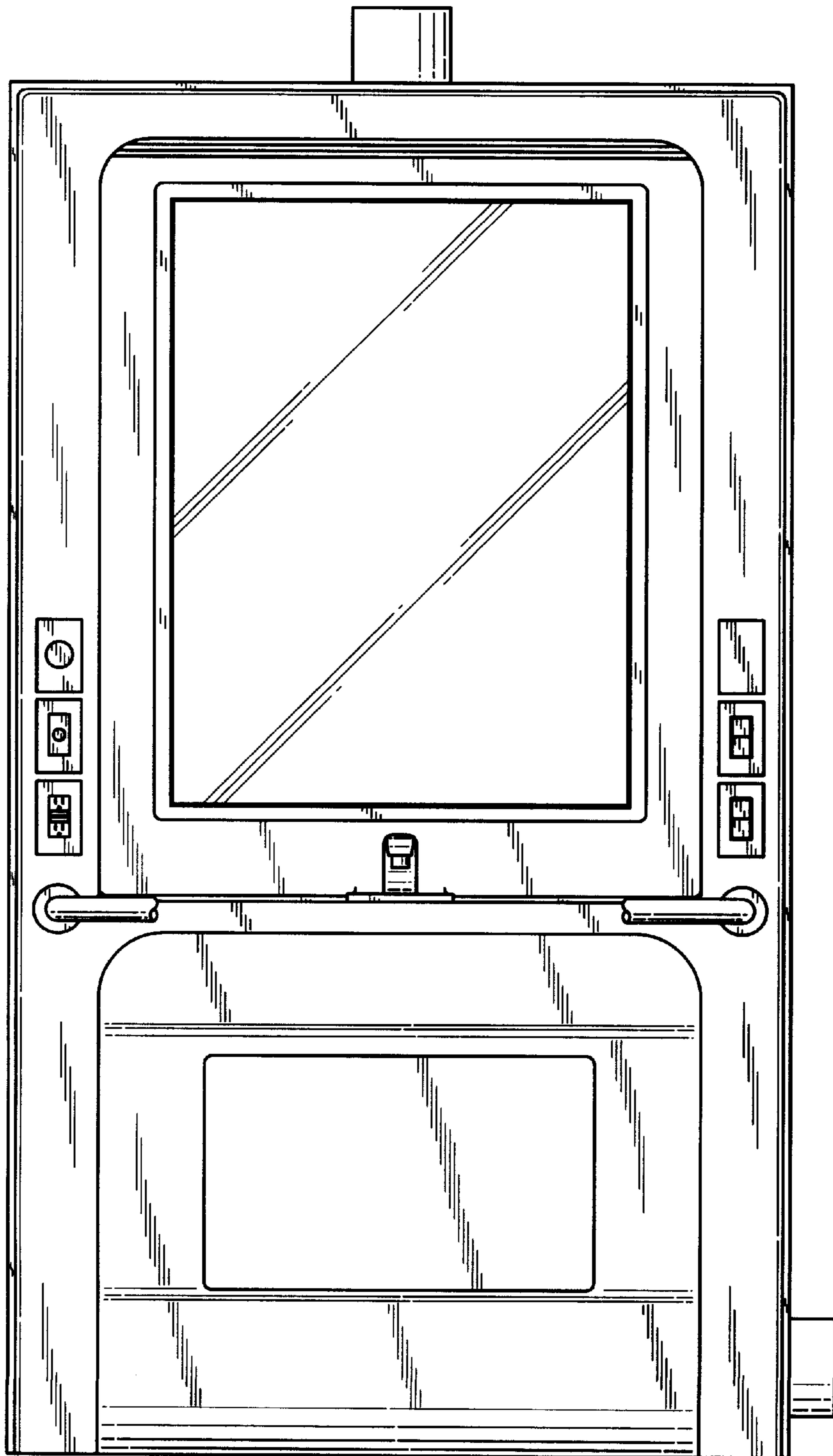


FIG. 2

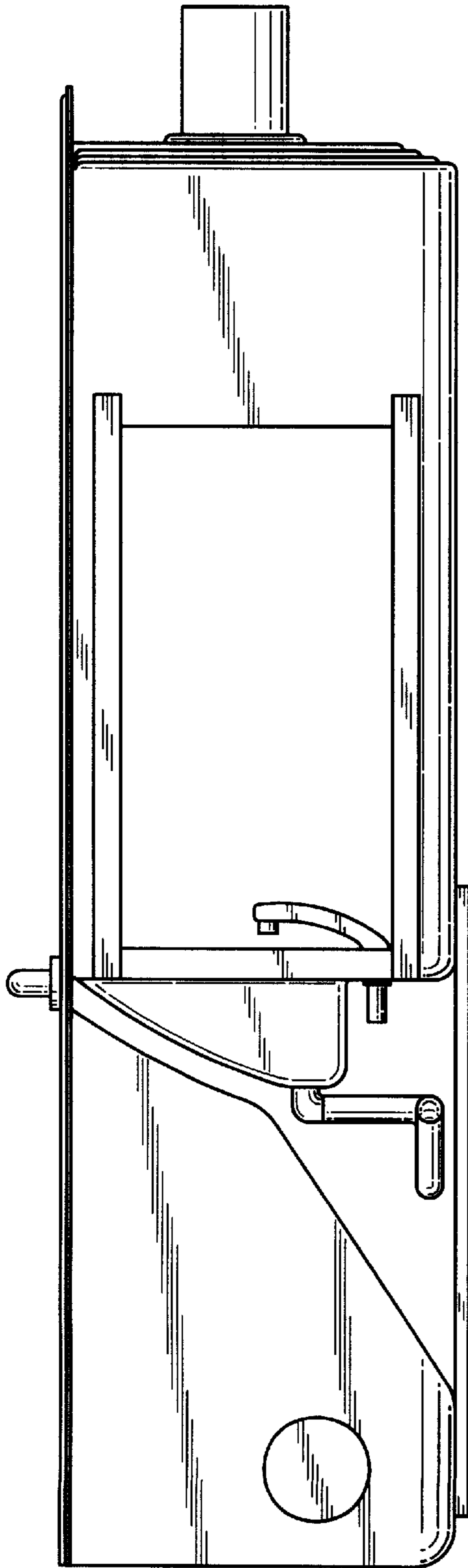


FIG. 3

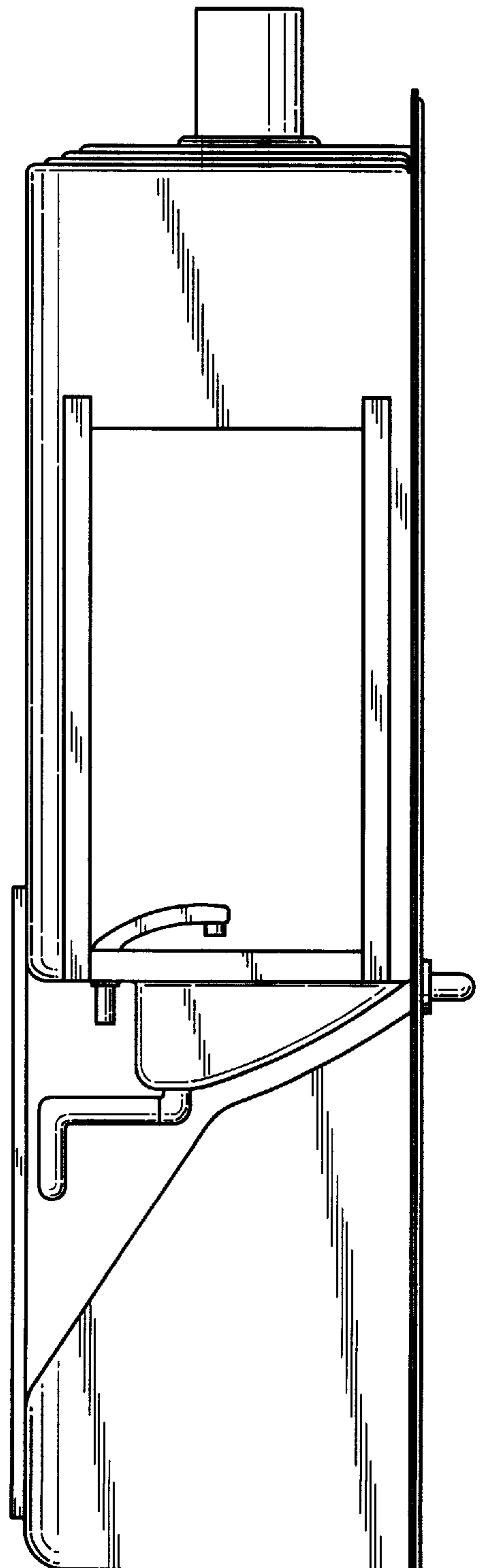


FIG. 4

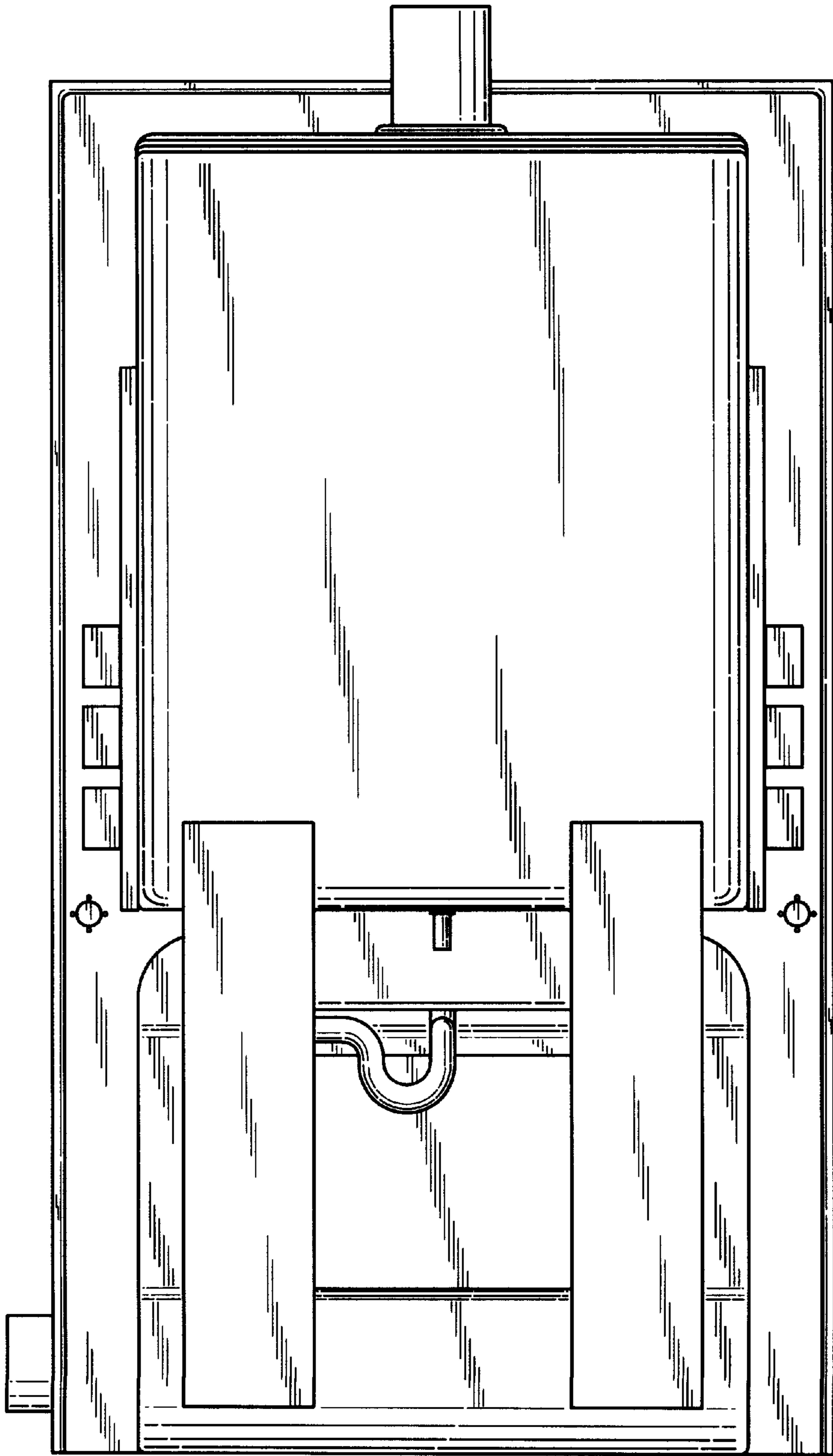


FIG. 5