

US00D430275S

United States Patent [19]
Slothower

[11] **Patent Number: Des. 430,275**

[45] **Date of Patent: ** Aug. 29, 2000**

[54] **LAVATORY**

[75] Inventor: **Anna-Pia K. Slothower**, Sheboygan, Wis.

[73] Assignee: **Kohler Co.**, Kohler, Wis.

[**] Term: **14 Years**

[21] Appl. No.: **29/113,245**

[22] Filed: **Nov. 2, 1999**

[51] **LOC (7) Cl.** **23-02**

[52] **U.S. Cl.** **D23/284**

[58] **Field of Search** D23/284-293.1;
4/619-625, 637, 638-650, 661

[56] **References Cited**

U.S. PATENT DOCUMENTS

- D. 389,901 1/1998 Kohler, Jr. et al. D23/284
- D. 398,968 9/1998 Wagner D23/285

OTHER PUBLICATIONS

An Ideal Standard catalog ad, p. 86, showing a #430 shower tray, undated, admitted prior art.

A Santile ad showing a cutting board, undated, admitted prior art.

Apr. 1998 Kohler catalog ad, p. 6-9, showing an "Eternity" bath whirlpool.

Jun. 1994 Kohler catalog ad, p. 12-5, showing an "Epernay" lavatory.

Primary Examiner—Doris Clark

Attorney, Agent, or Firm—Quarles & Brady LLP

[57] **CLAIM**

The ornamental design for a lavatory, as shown and described.

DESCRIPTION

FIG. 1 is a top, front perspective view of a lavatory embodying my new design;

FIG. 2 is a right, bottom, front perspective view thereof;

FIG. 3 is a top plan view thereof;

FIG. 4 is a front elevational view thereof, the rear elevational view being identical to the front side shown;

FIG. 5 is a left side elevational view thereof, the right side elevational view being identical to the left side shown;

FIG. 6 is a bottom plan view thereof;

FIG. 7 is a cross-sectional view thereof taken along line 7-7 of FIG. 3;

FIG. 8 is a right, bottom, front perspective view of a second embodiment, the top plan view being identical to that shown in FIG. 3;

FIG. 9 is a front elevational view thereof, the rear elevational view being identical to that shown in FIG. 4 ;

FIG. 10 is a left side elevational view thereof, the right side elevational view being a mirror image of the left side shown;

FIG. 11 is a bottom plan view thereof;

FIG. 12 is a top, front perspective view of a third embodiment, the top plan view being identical to that shown in FIG. 3;

FIG. 13 is a right, bottom, front perspective view thereof;

FIG. 14 is a front elevational view thereof, the left side, right side, and rear elevational views being identical to the front side shown;

FIG. 15 is a bottom plan view thereof;

FIG. 16 is a cross-sectional view thereof taken along line 16-16 of FIG. 14;

FIG. 17 is a right, bottom, front perspective view of a fourth embodiment, the top plan view being identical to that shown in FIG. 3;

FIG. 18 is a front elevational view thereof;

FIG. 19 is a left side elevational view thereof, the right side elevational view being a mirror image of the left side shown;

FIG. 20 is a rear elevational view thereof; and,

FIG. 21 is a bottom plan view thereof.

The broken line representations of support structure in FIGS. 2, 6, 8, 11, 13, 15, 17, and 21, and of a mounting environment in FIGS. 10 and 19 are for the purpose of illustration only, and form no part of the claimed design.

1 Claim, 12 Drawing Sheets

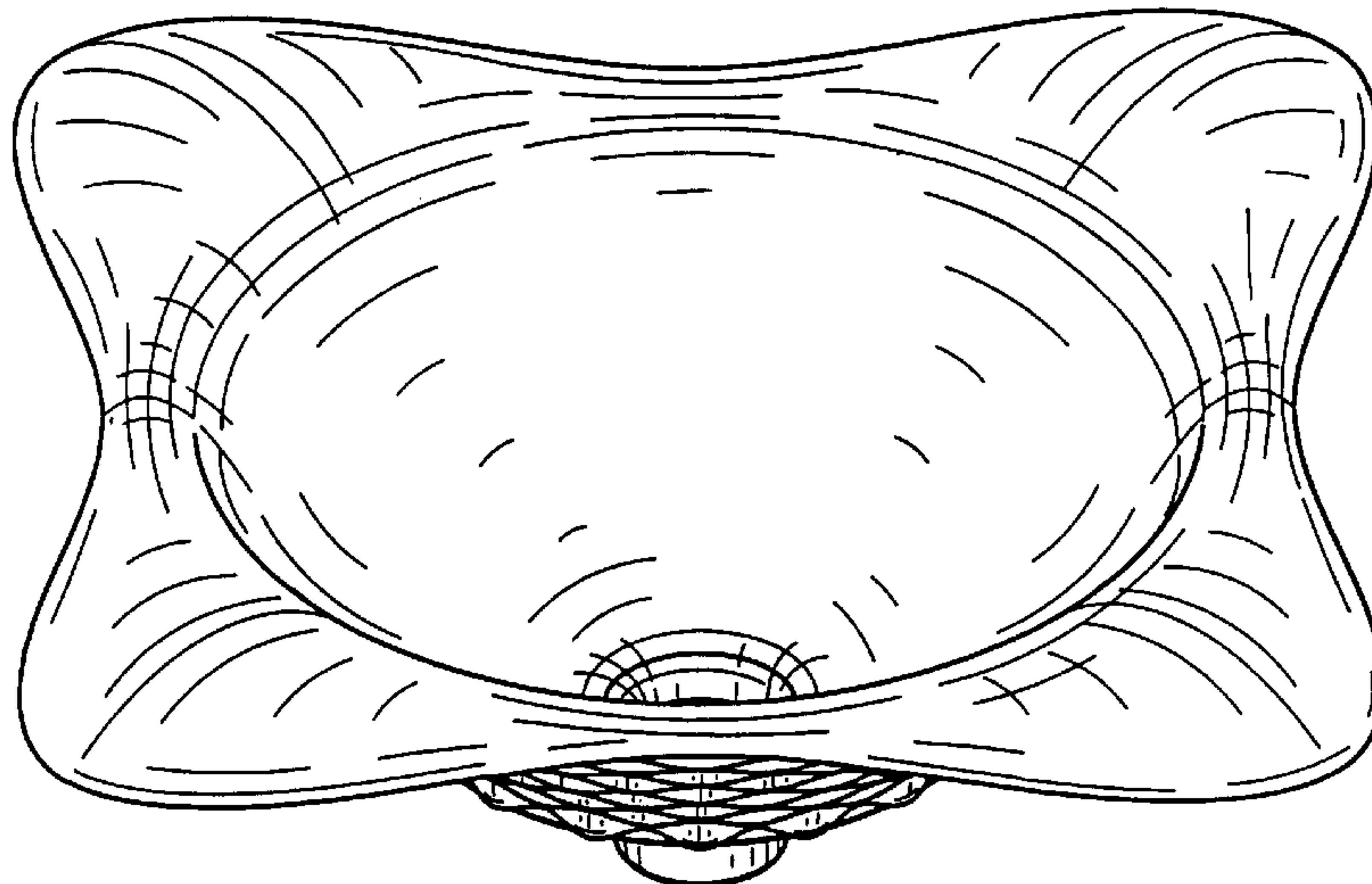


FIG. 1

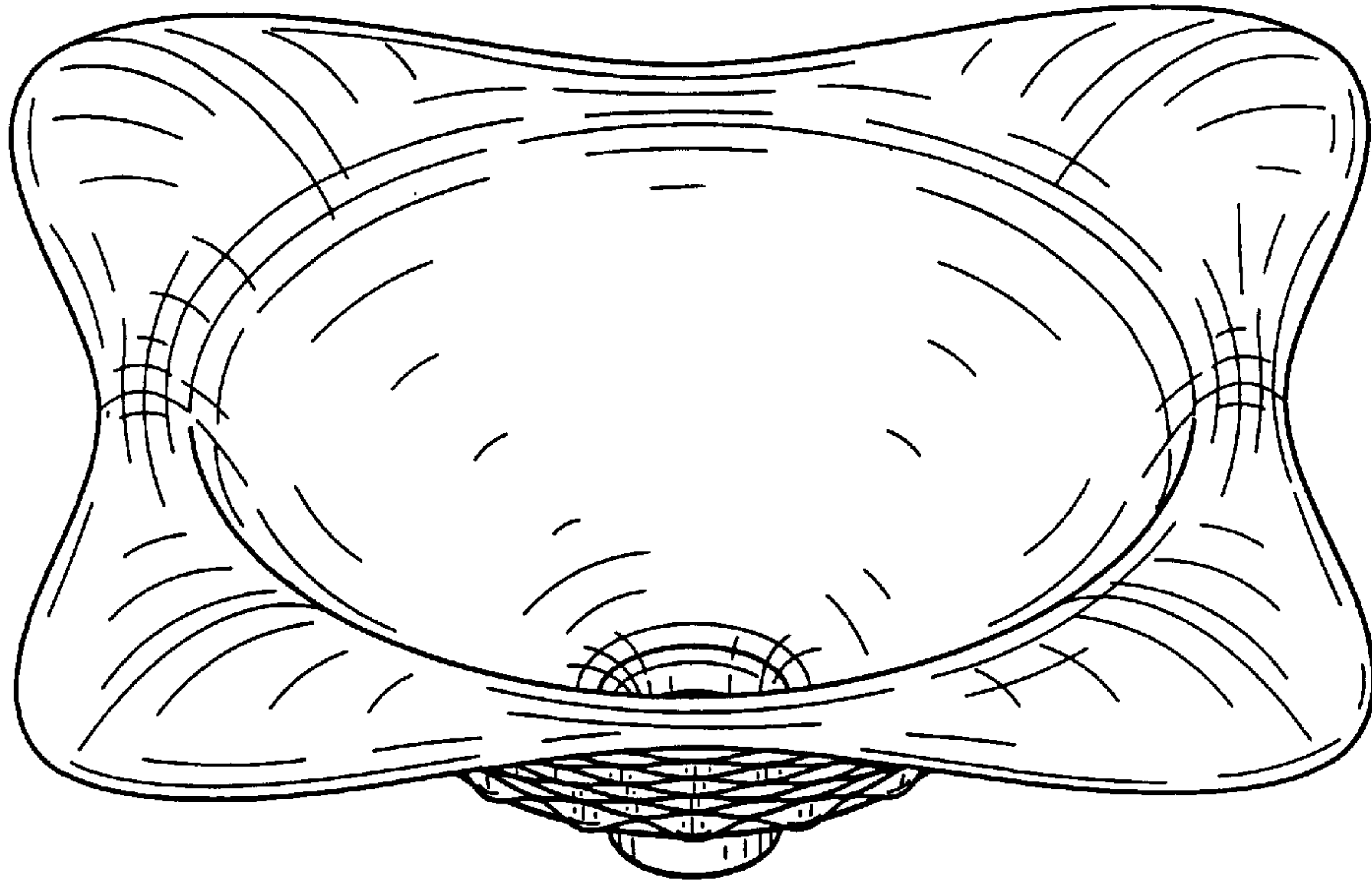


FIG. 2

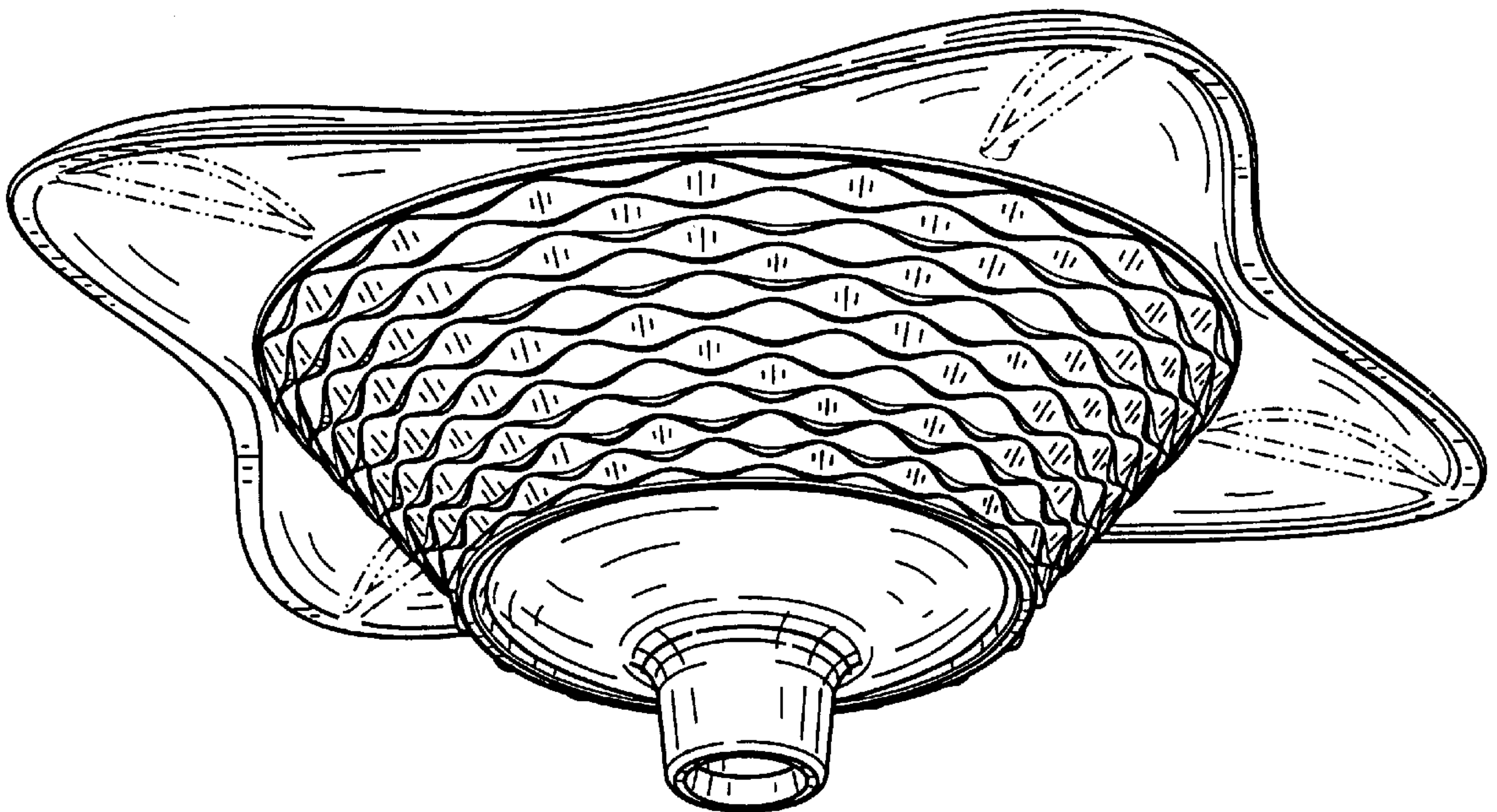


FIG. 3

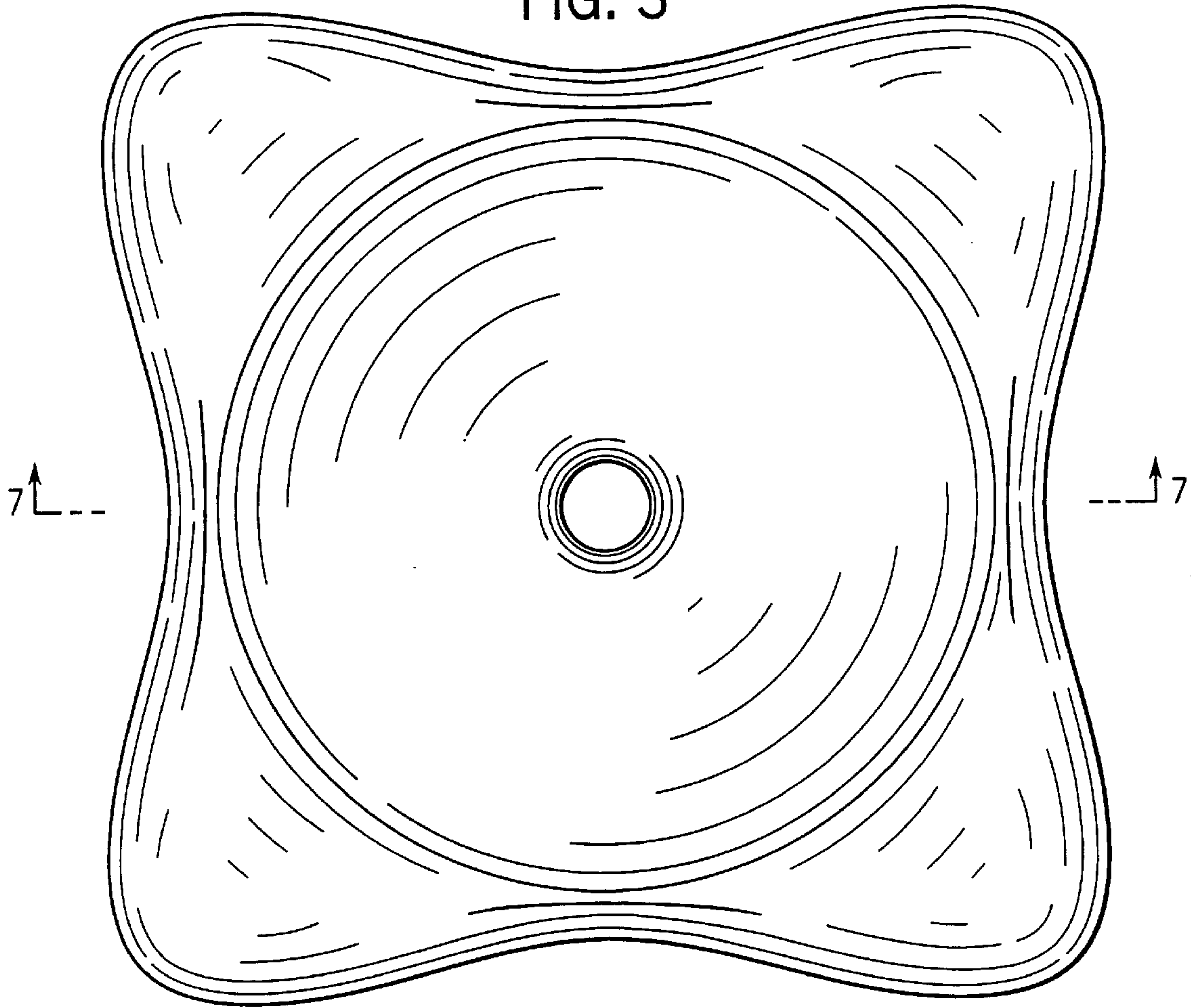


FIG. 4

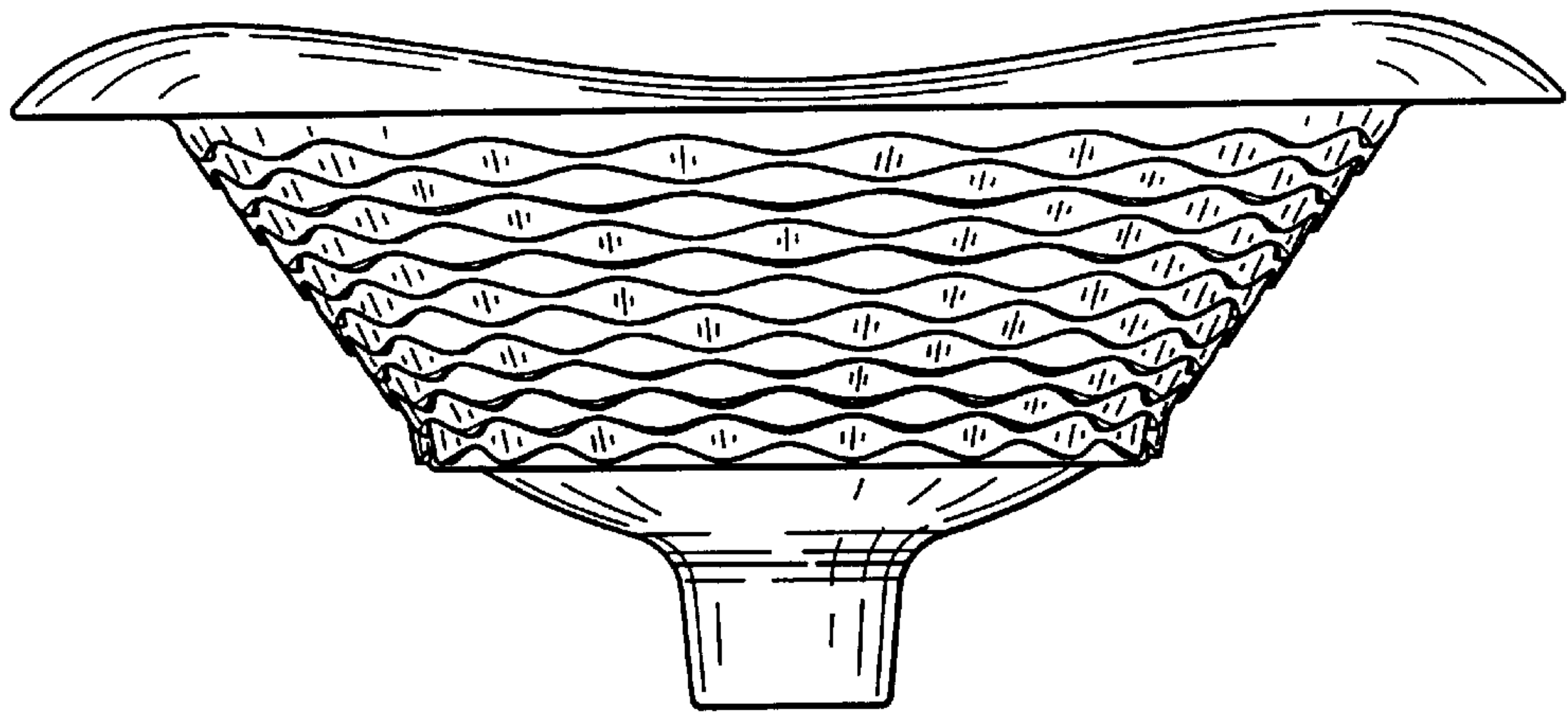


FIG. 5

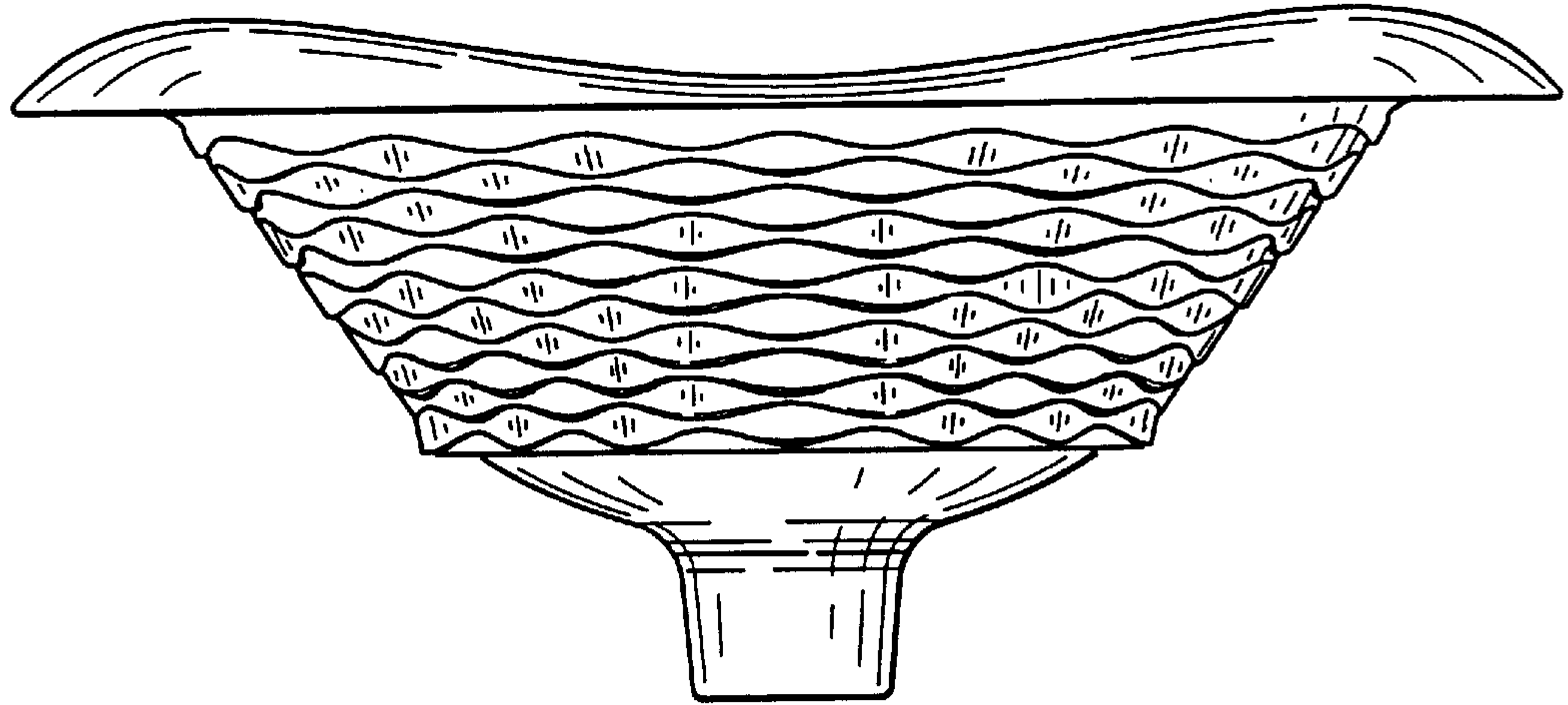


FIG. 6

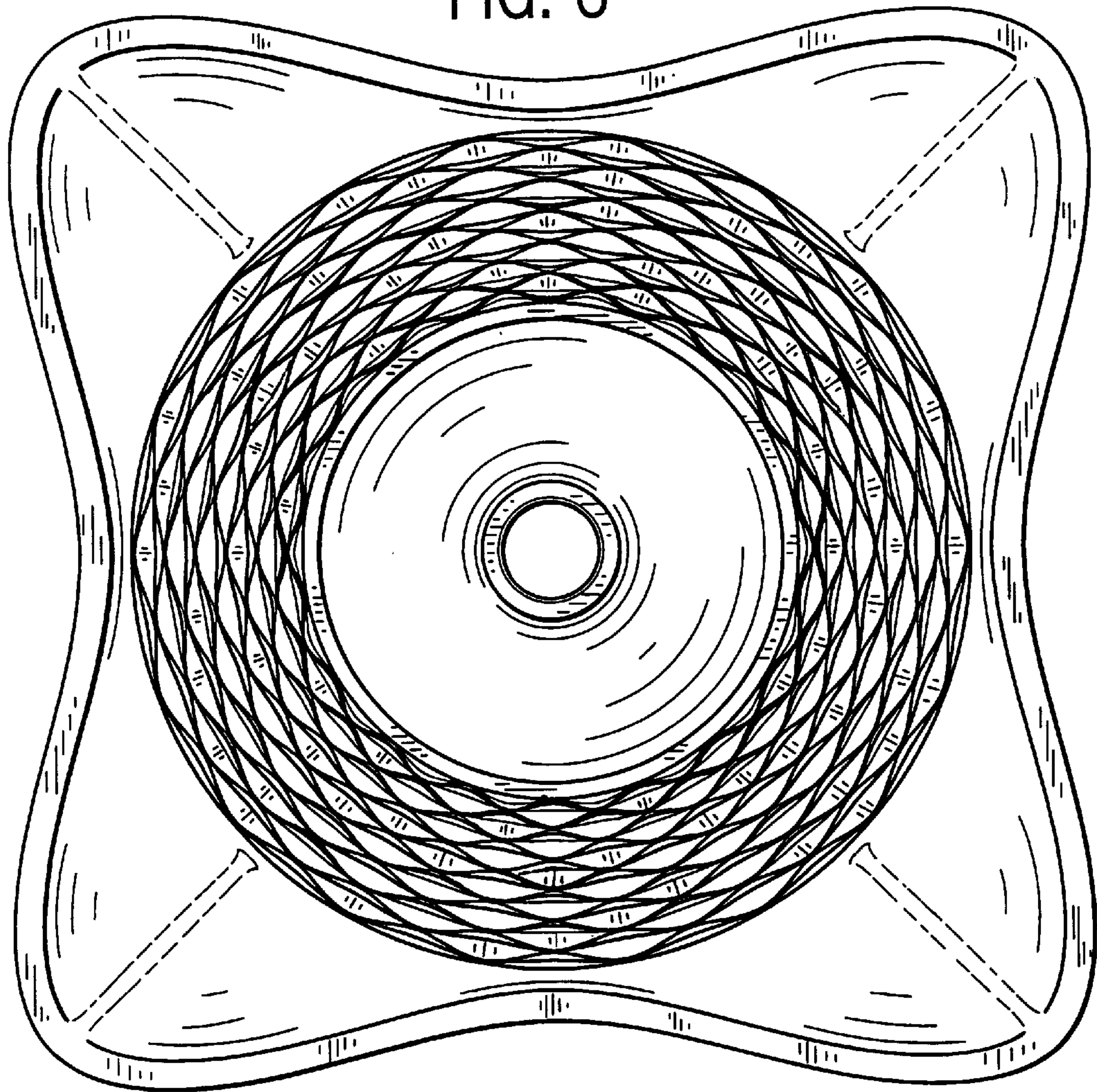


FIG. 7

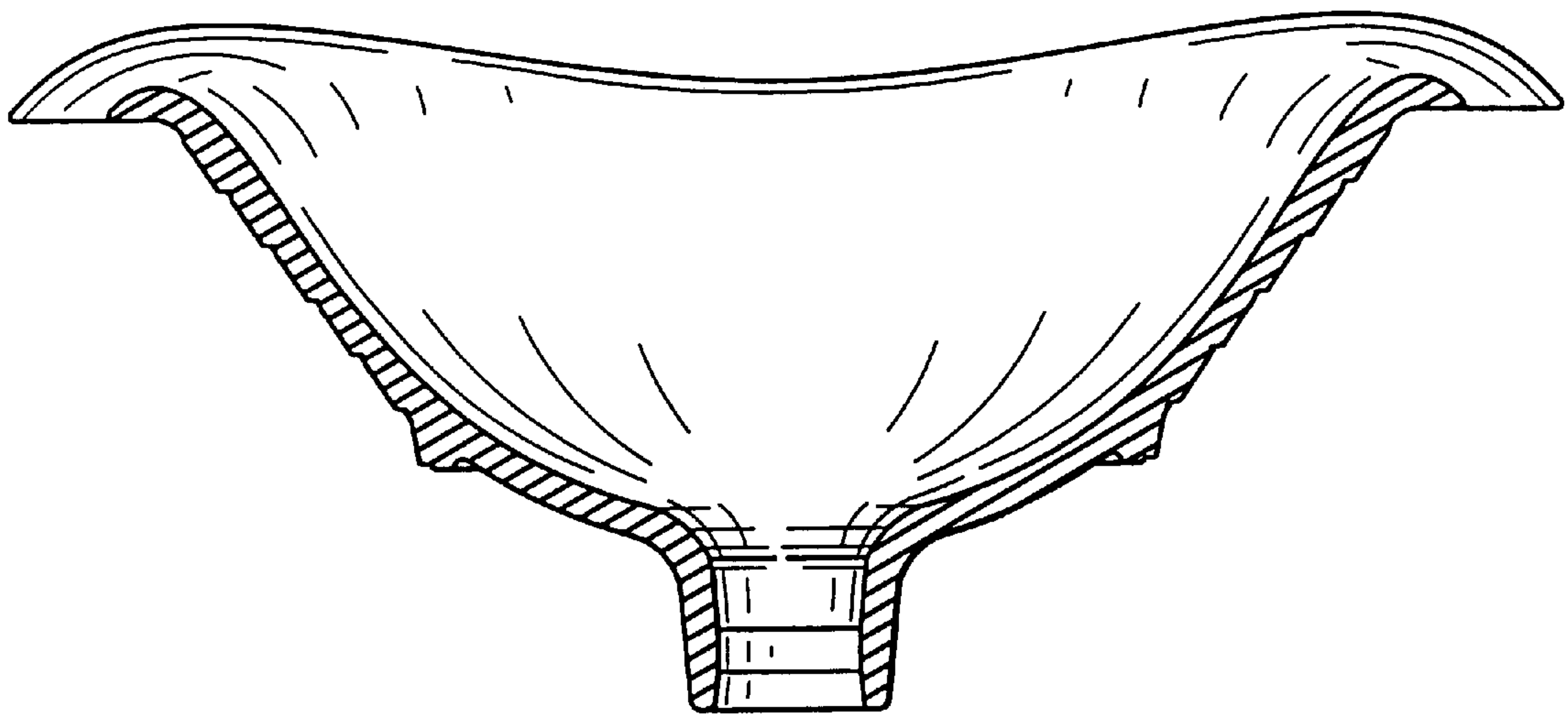


FIG. 8

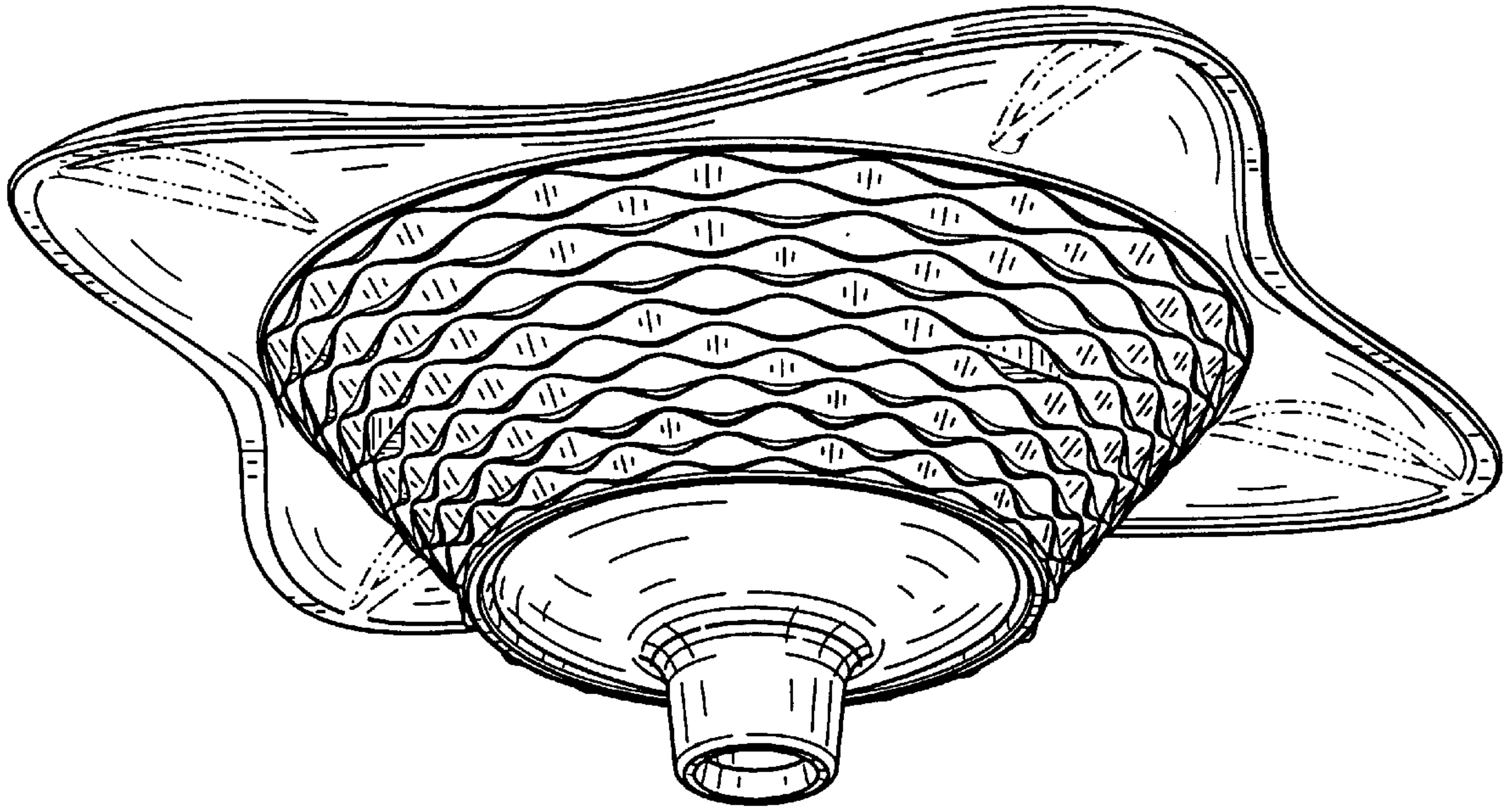


FIG. 9

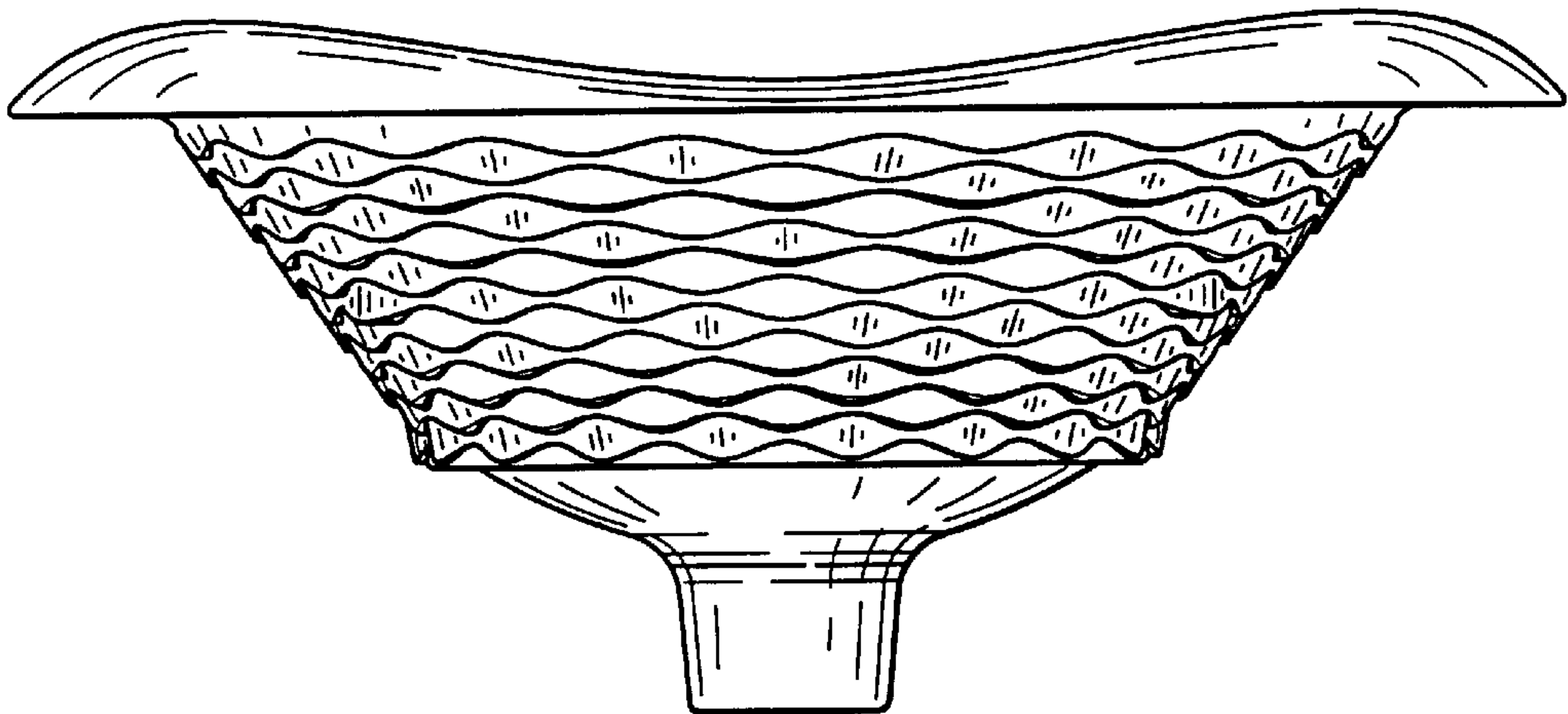


FIG. 10

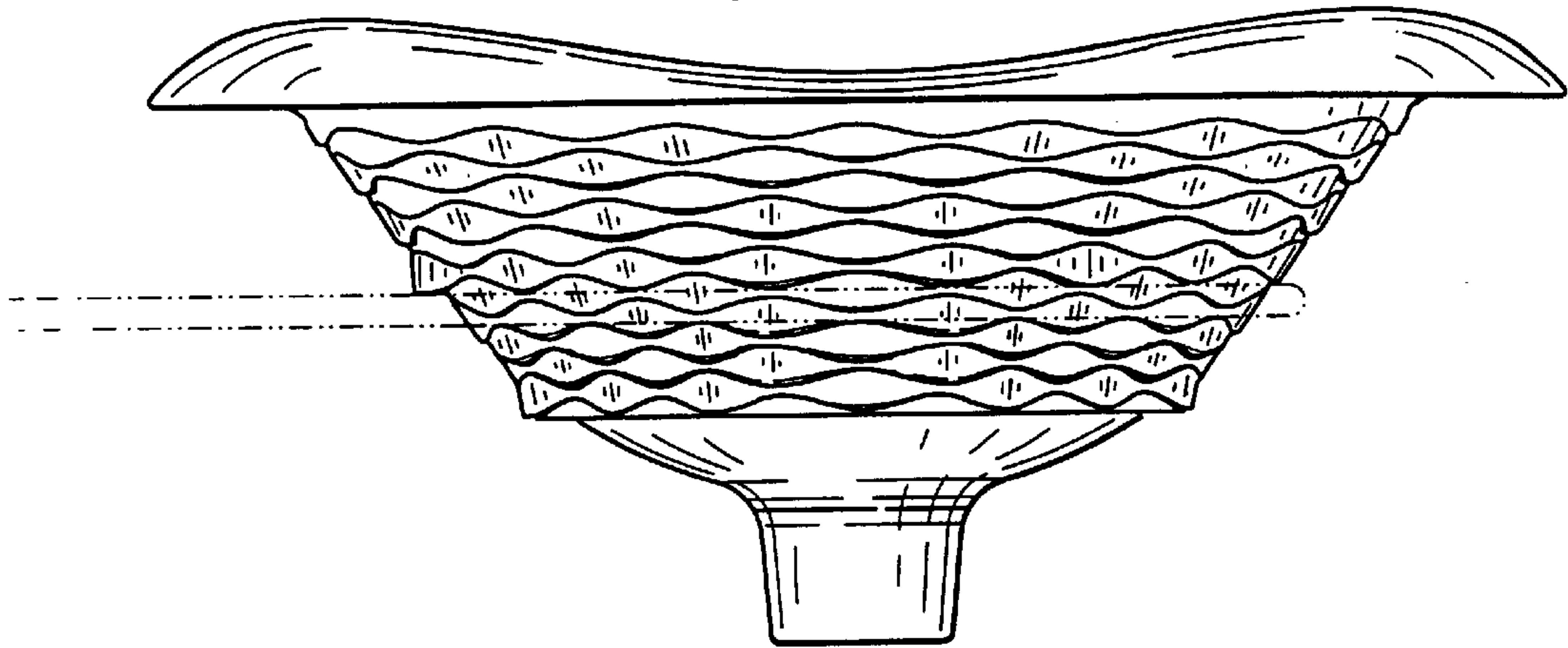


FIG. 11

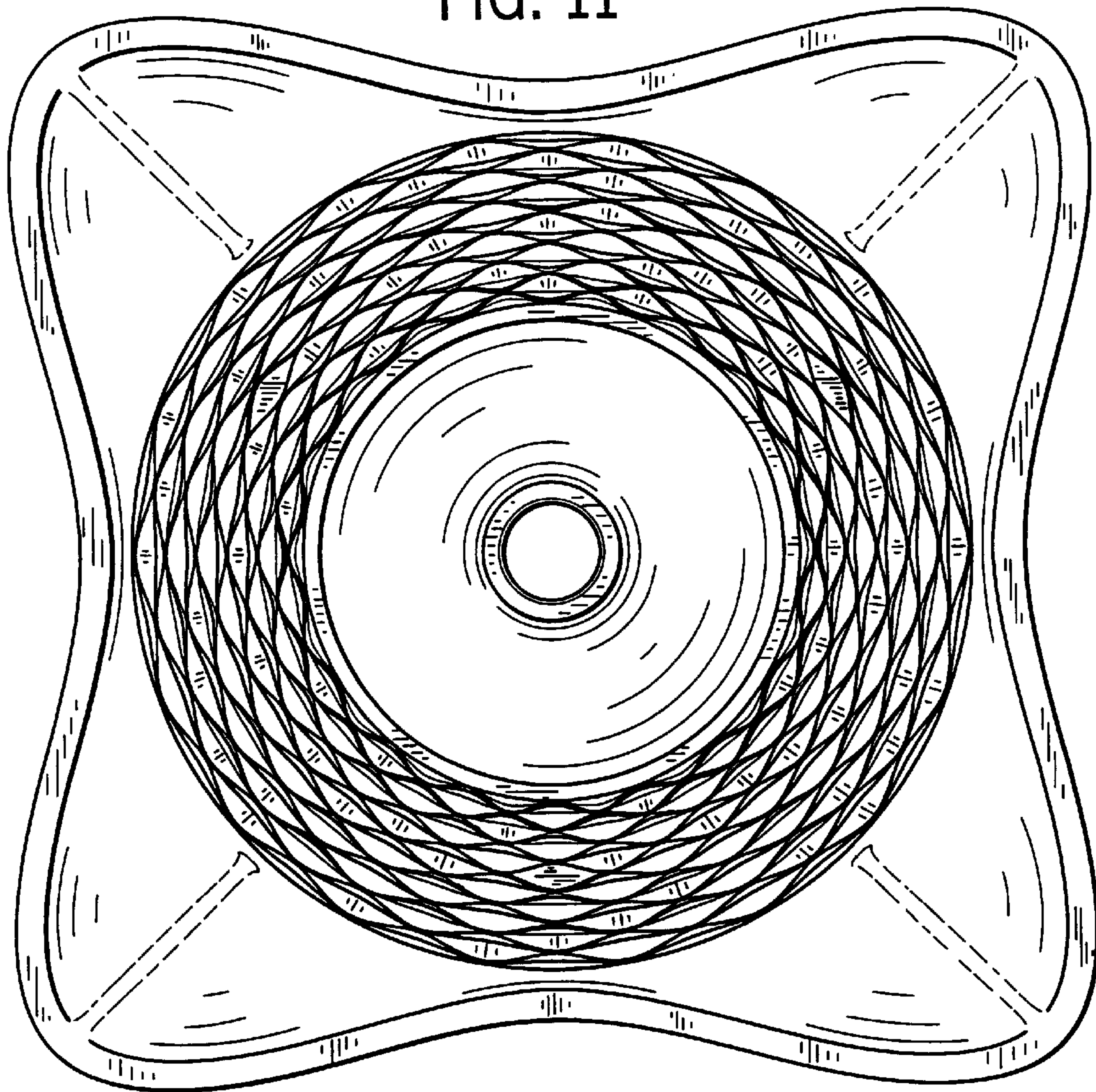


FIG. 12

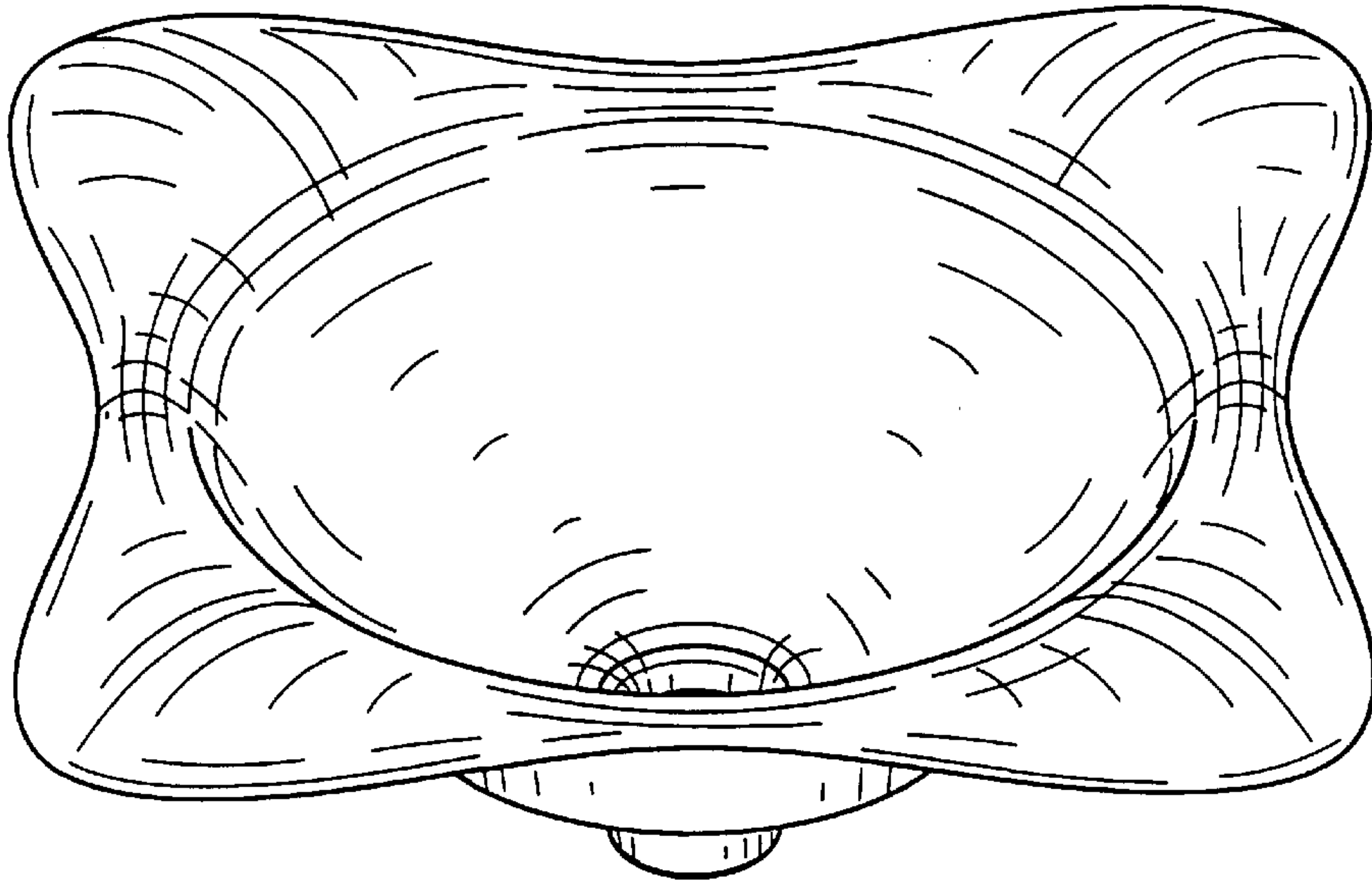


FIG. 13

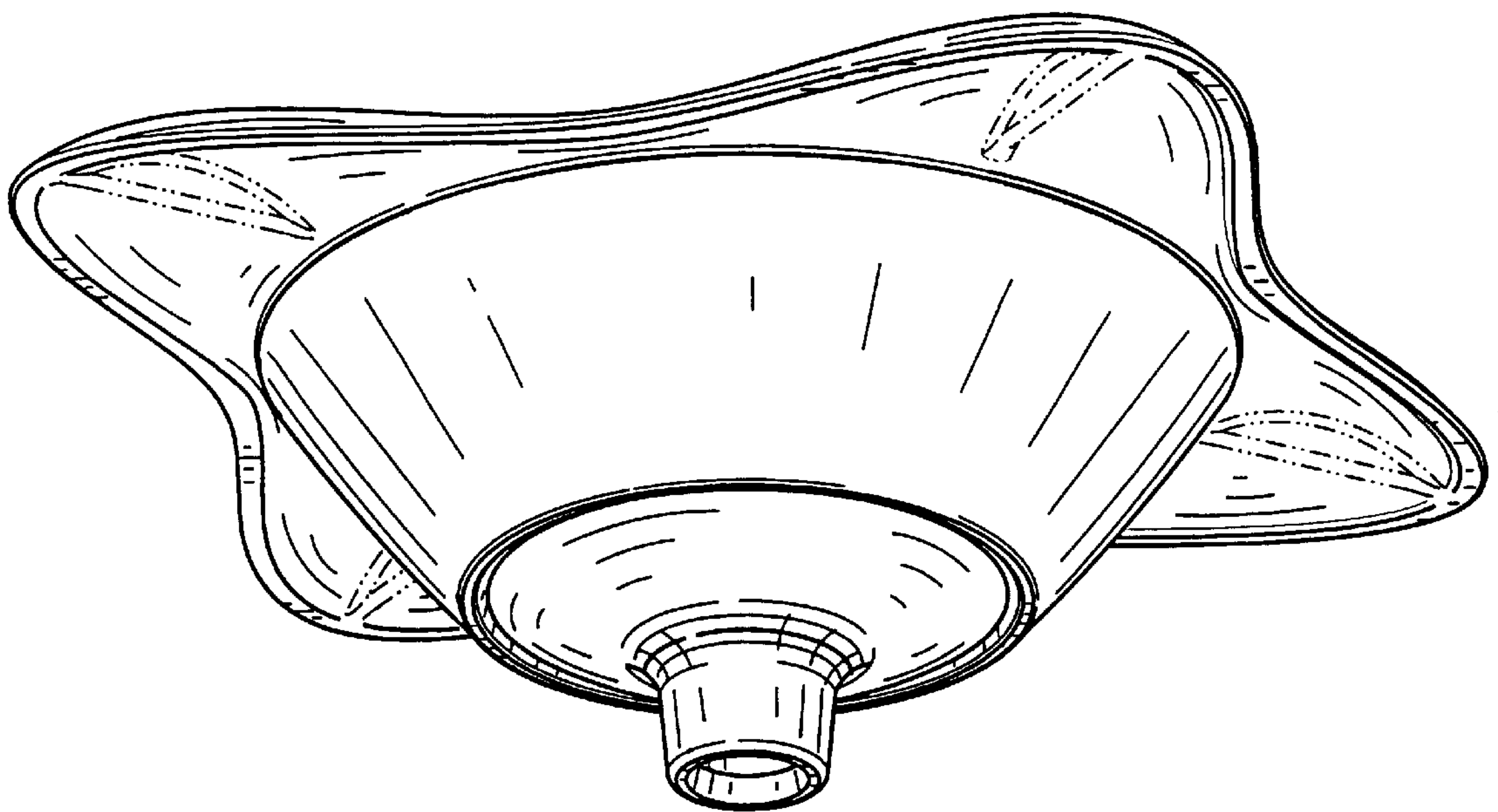


FIG. 14

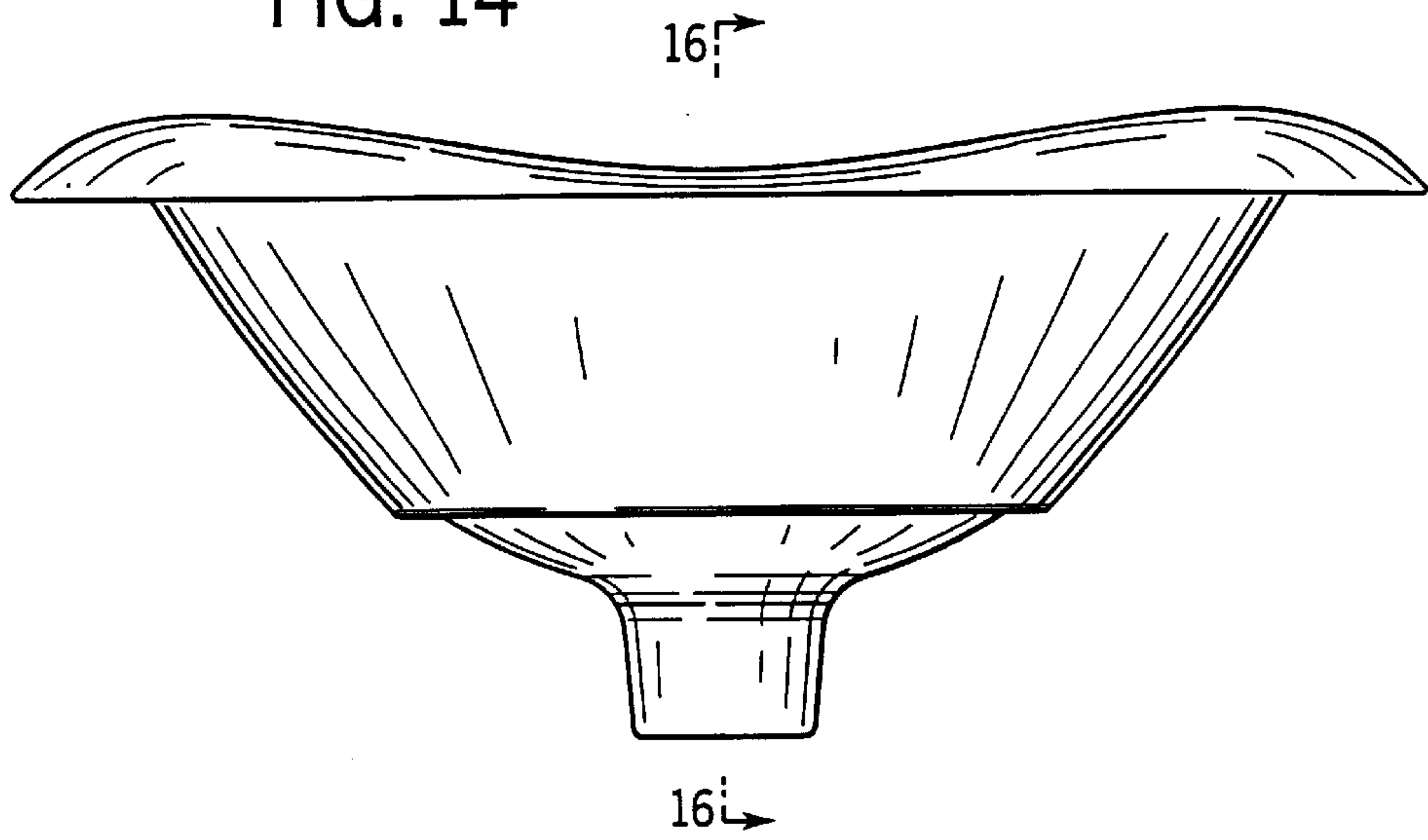


FIG. 15

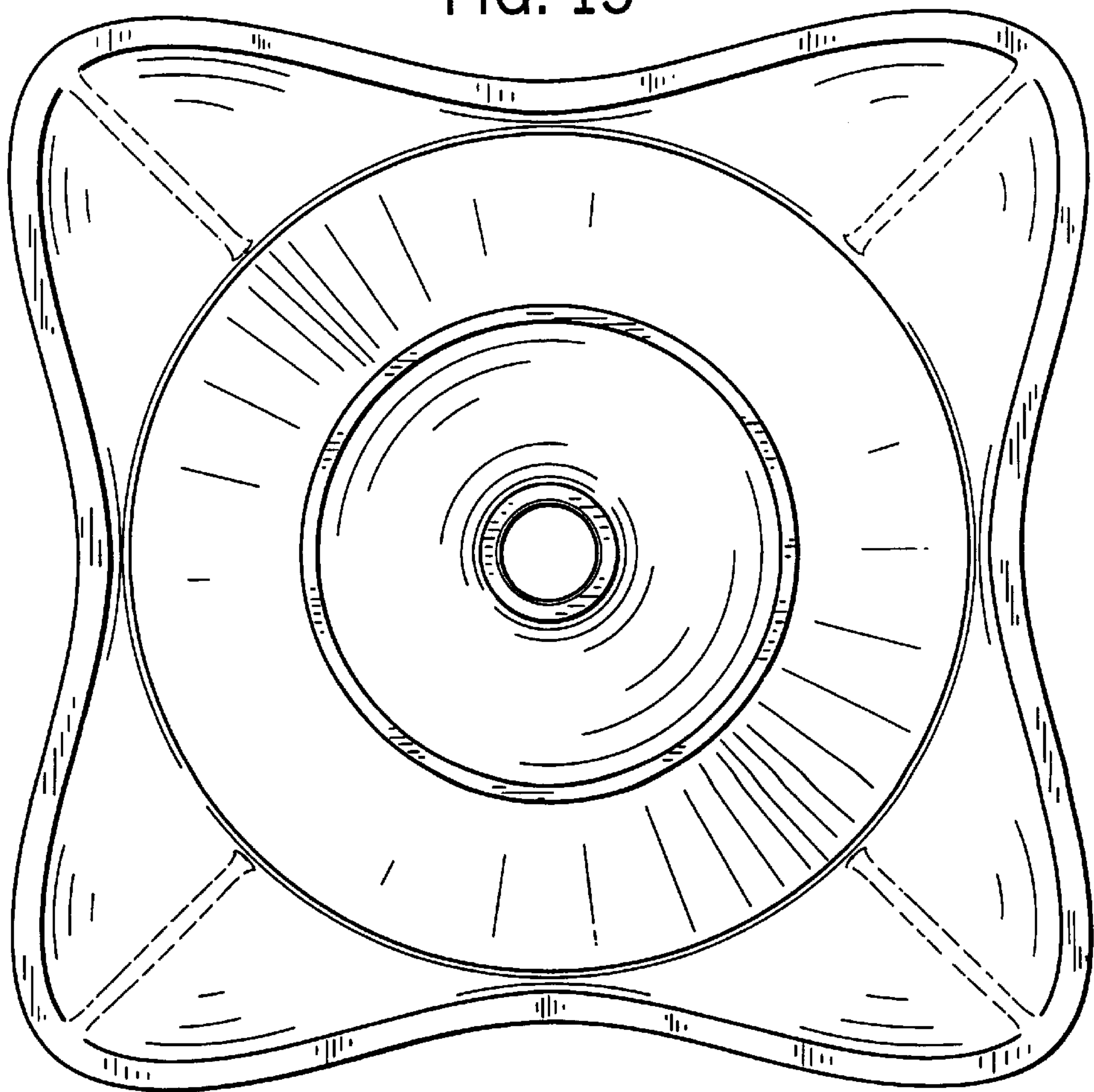


FIG. 16

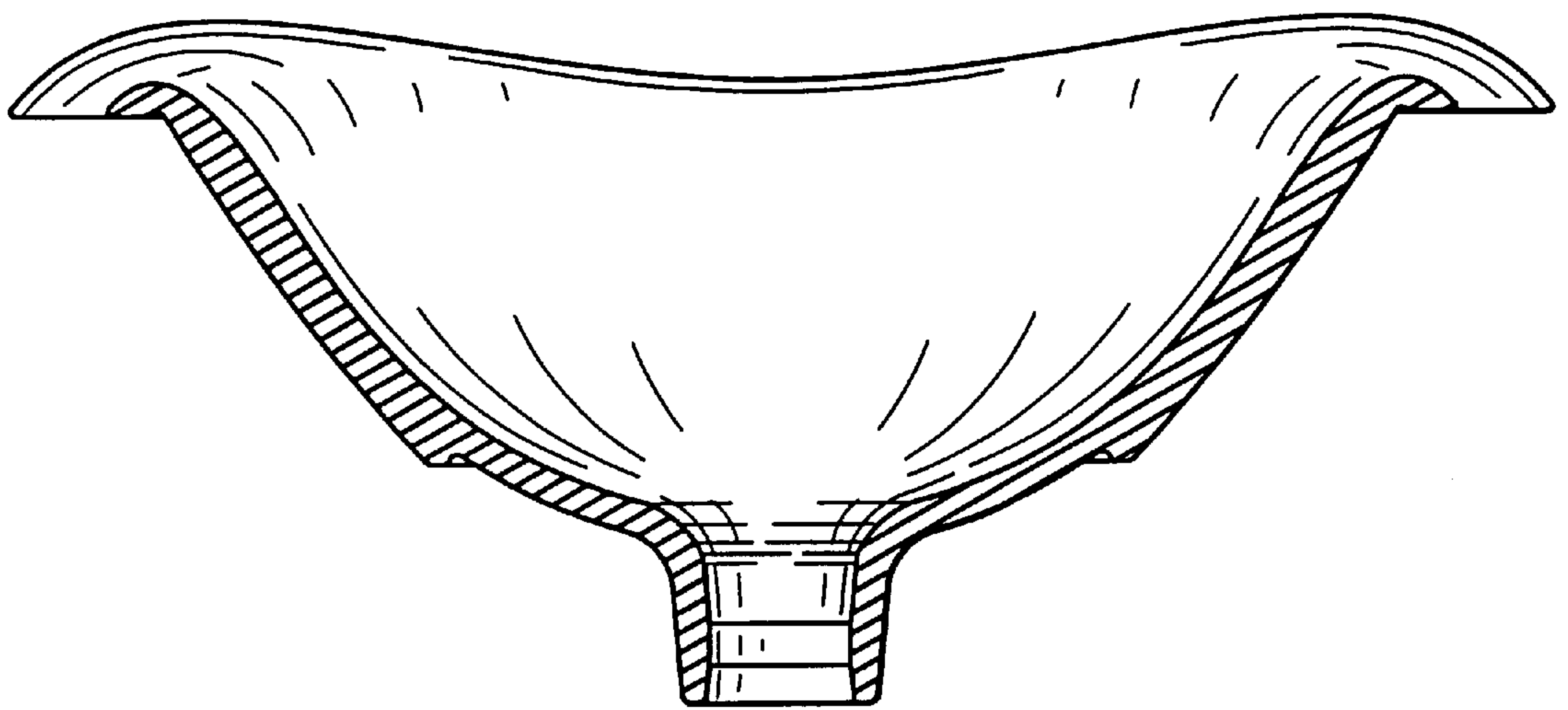


FIG. 17

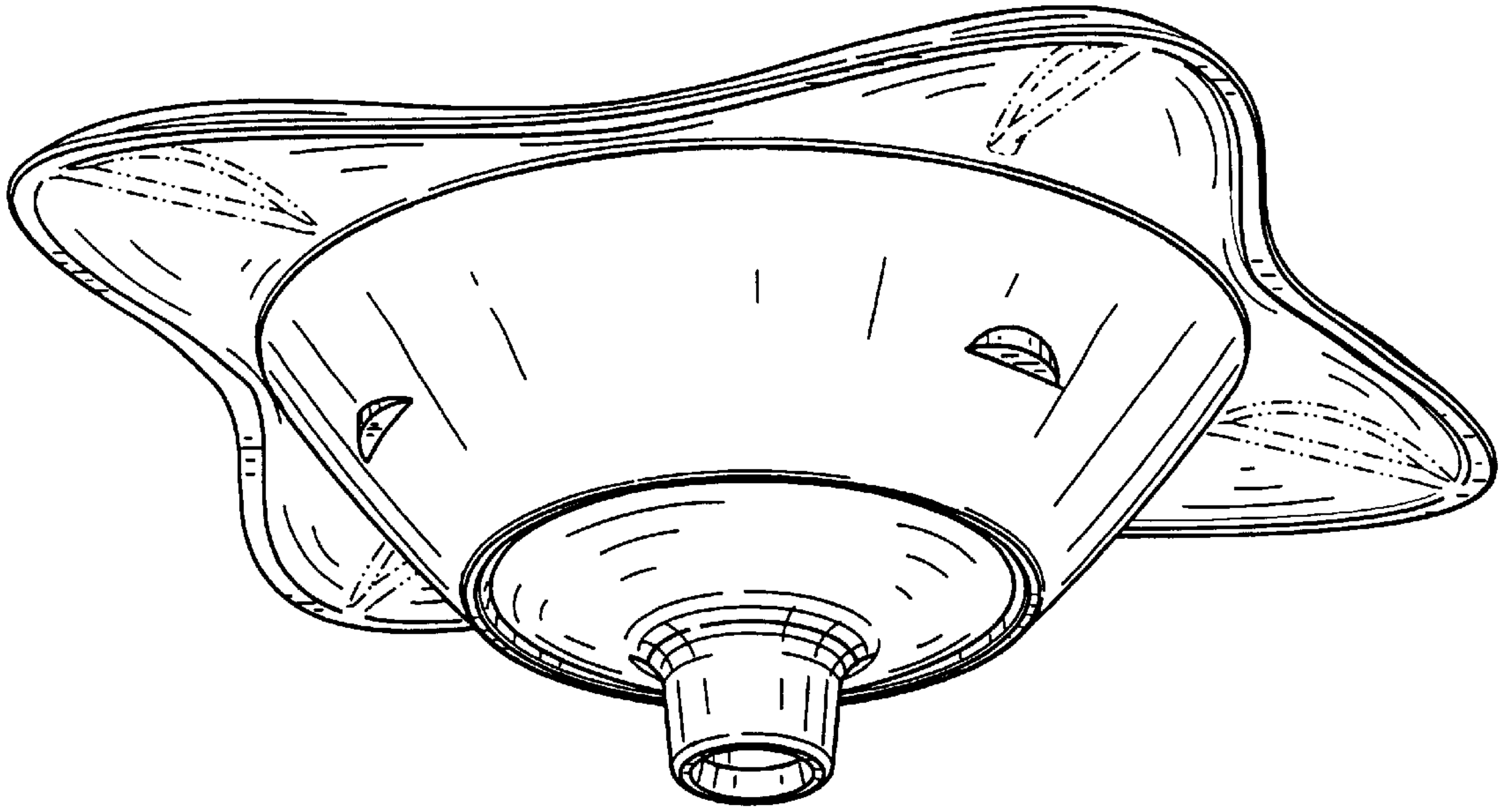


FIG. 18

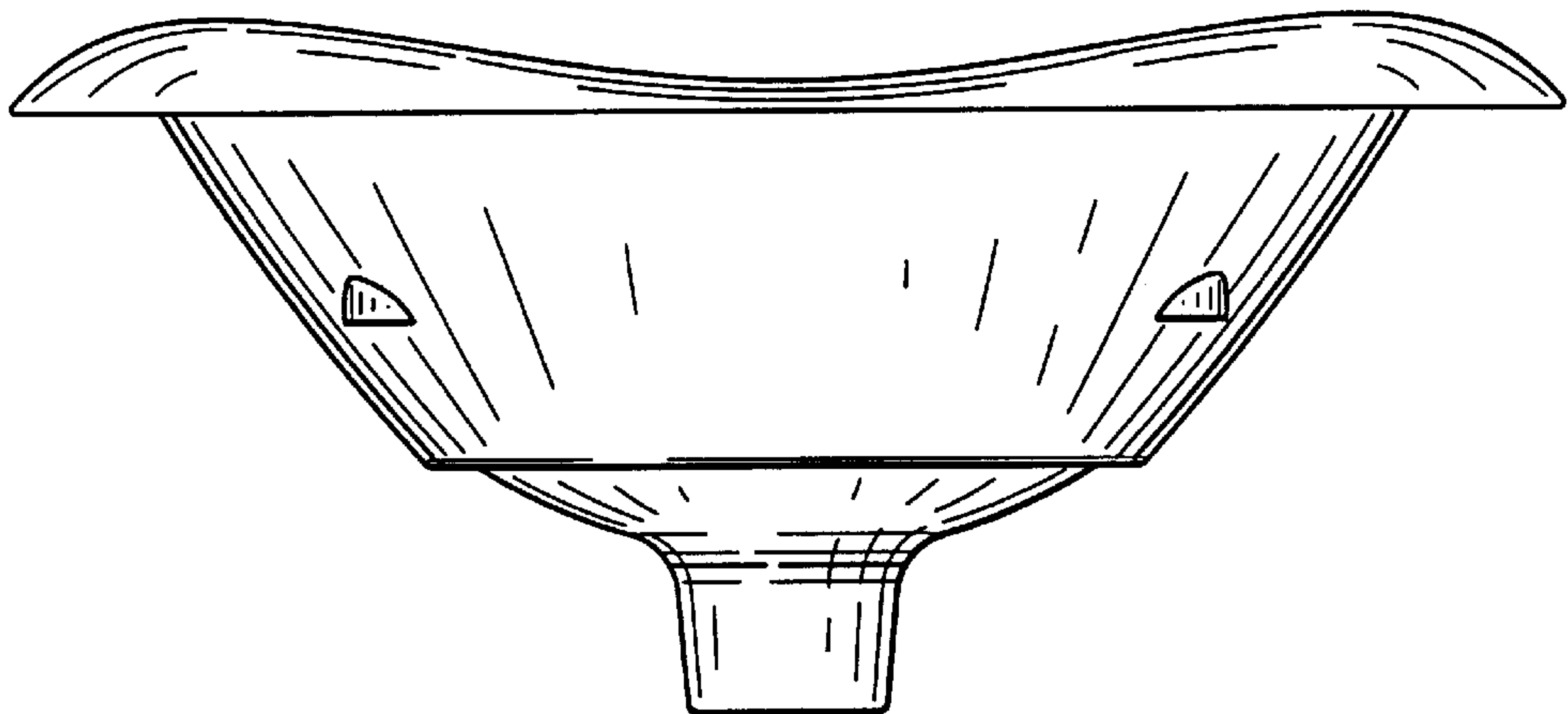


FIG. 19

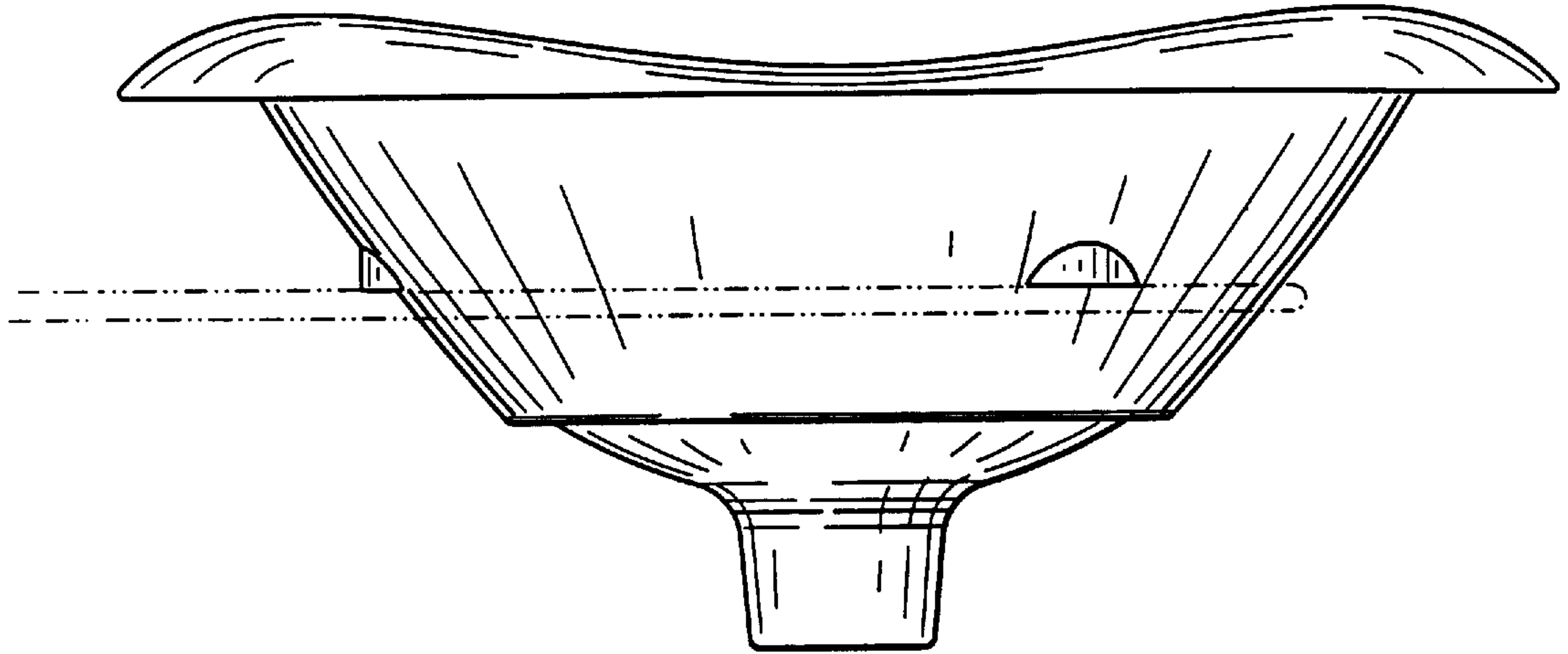


FIG. 20

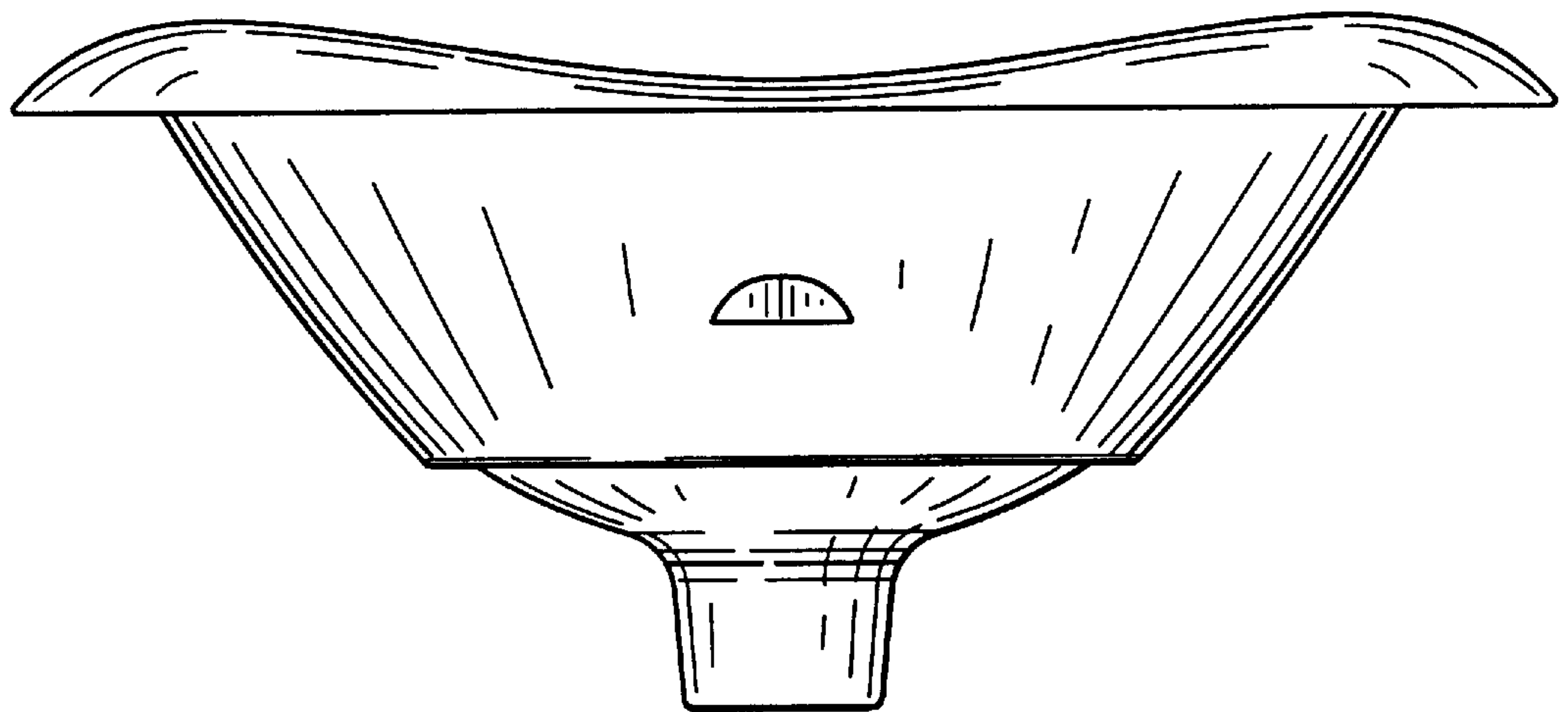


FIG. 21

