



US00D430274S

**United States Patent** [19]  
**Marshall**

[11] **Patent Number: Des. 430,274**

[45] **Date of Patent: \*\* Aug. 29, 2000**

[54] **LAVATORY**

[75] Inventor: **Keith D. Marshall**, West Covina, Calif.

[73] Assignee: **Kohler Co.**, Kohler, Wis.

[\*\*] Term: **14 Years**

[21] Appl. No.: **29/103,384**

[22] Filed: **Apr. 14, 1999**

[51] **LOC (7) Cl.** ..... **23-02**

[52] **U.S. Cl.** ..... **D23/284**

[58] **Field of Search** ..... D23/284-293.1;  
4/619, 624, 625, 626, 638-650

[56] **References Cited**

**U.S. PATENT DOCUMENTS**

D. 295,671	5/1988	Kohler, Jr.	.....	D23/293.1
D. 380,040	6/1997	Kohler, Jr. et al.	.....	D23/293.1
D. 398,967	9/1998	Kohler, Jr. et al.	.....	D23/284
D. 399,934	10/1998	Westcott et al.	.....	D23/284
D. 405,875	2/1999	Slothower et al.	.....	D23/284

**OTHER PUBLICATIONS**

1996 Kohler catalog ad, p. 13-9a, showing "Conical Bell" lavatory.  
Undated American China catalog ad showing a "Carefree" lavatory, admitted prior art.

*Primary Examiner*—Doris Clark  
*Attorney, Agent, or Firm*—Quarles & Brady LLP

[57] **CLAIM**

The ornamental design for a lavatory, as shown and described.

**DESCRIPTION**

FIG. 1 is a left, top, front perspective view of a lavatory embodying my new design;

FIG. 2 is a top plan view thereof;

FIG. 3 is a front elevational view thereof, the rear, right side, and left side elevational views being identical to the front elevational view shown;

FIG. 4 is a bottom plan view thereof; and,

FIG. 5 is a cross-sectional view thereof taken along line 5-5 of FIG. 2.

The dotted line representations of a mounting environment in FIG. 1, and of holes in FIG. 4, are for the purpose of illustration only, and form no part of the claimed design.

**1 Claim, 3 Drawing Sheets**

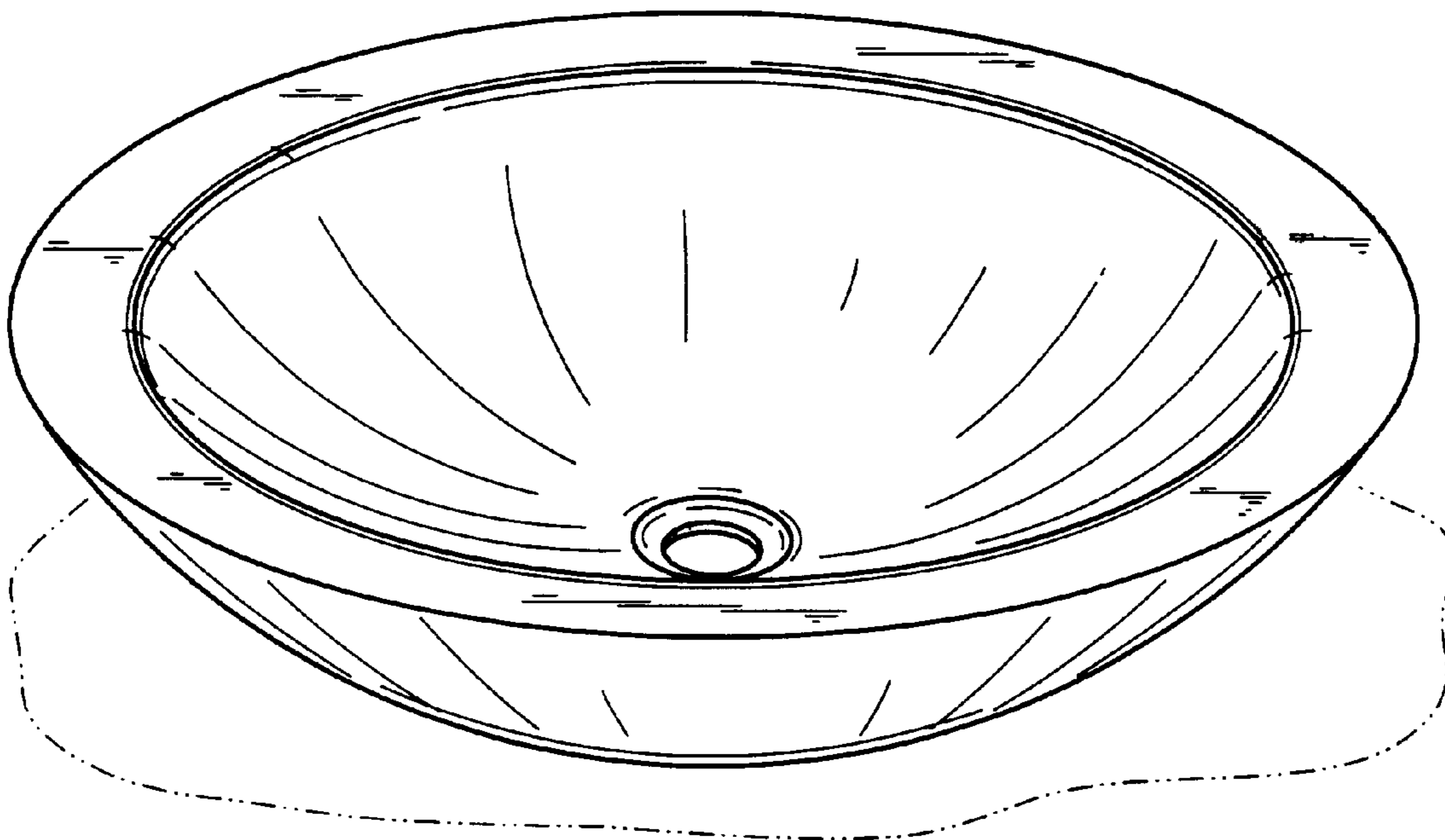


FIG. 1

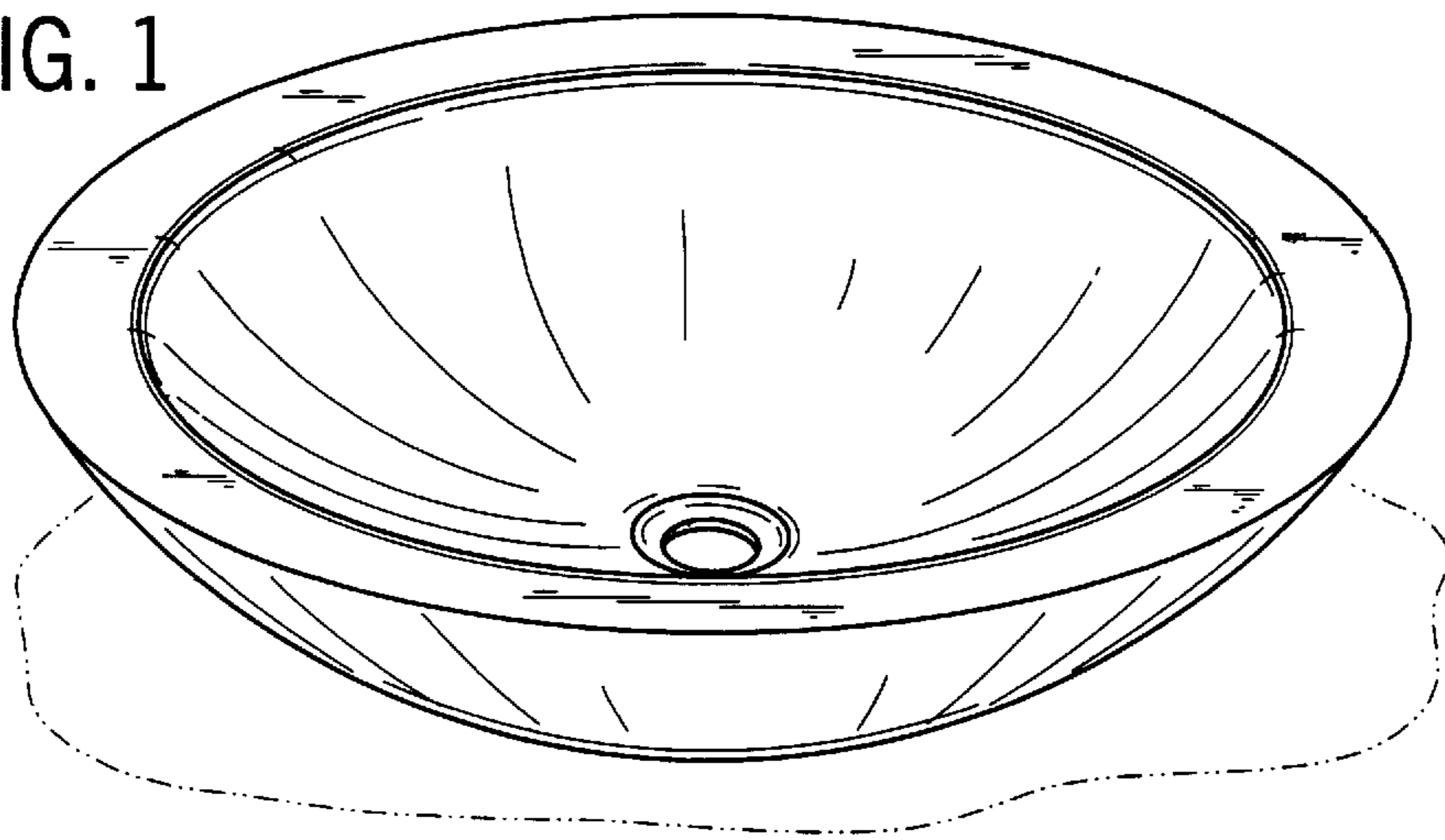


FIG. 2

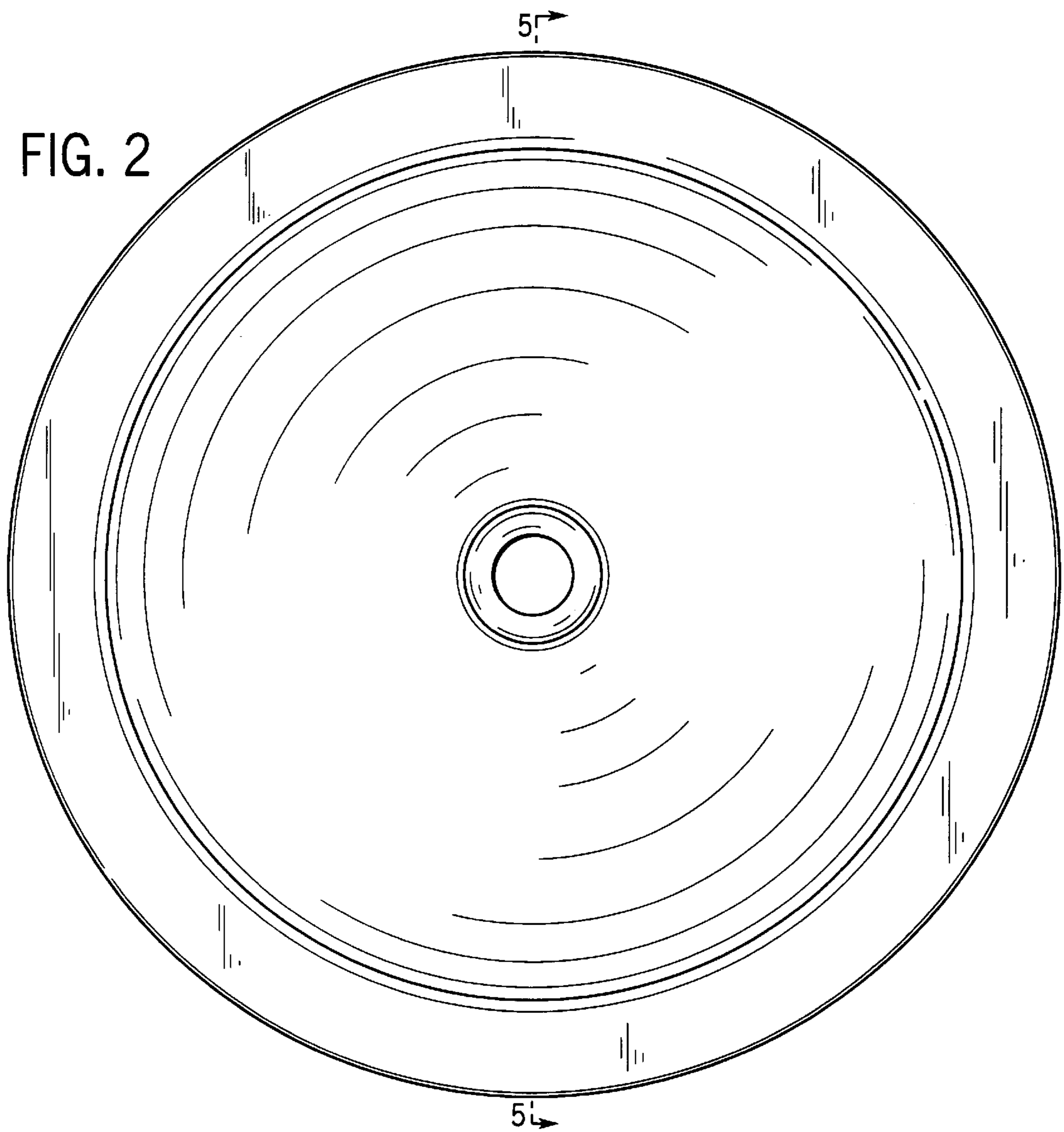


FIG. 3

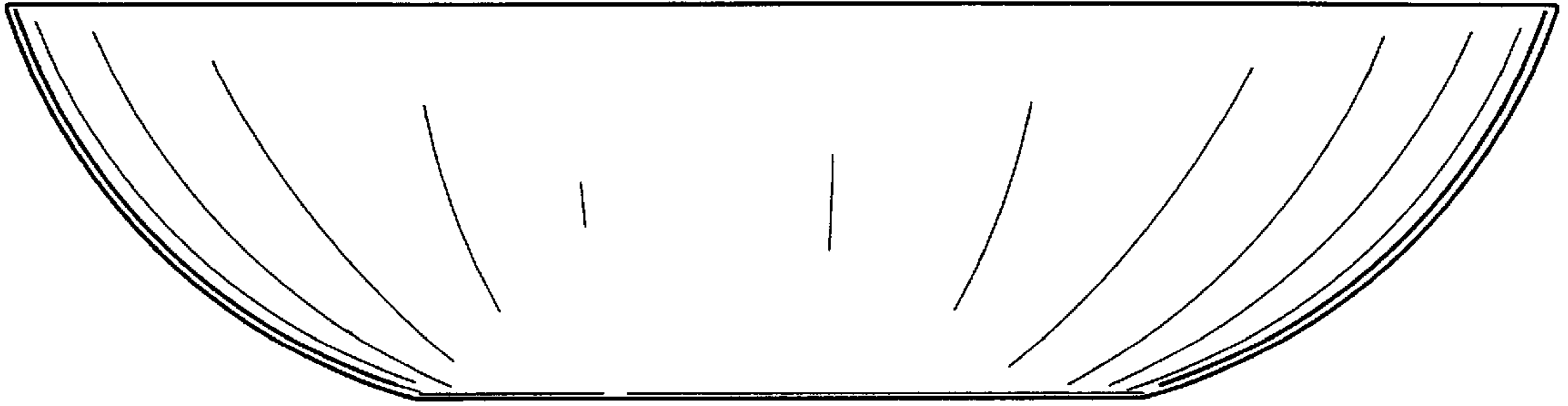


FIG. 4

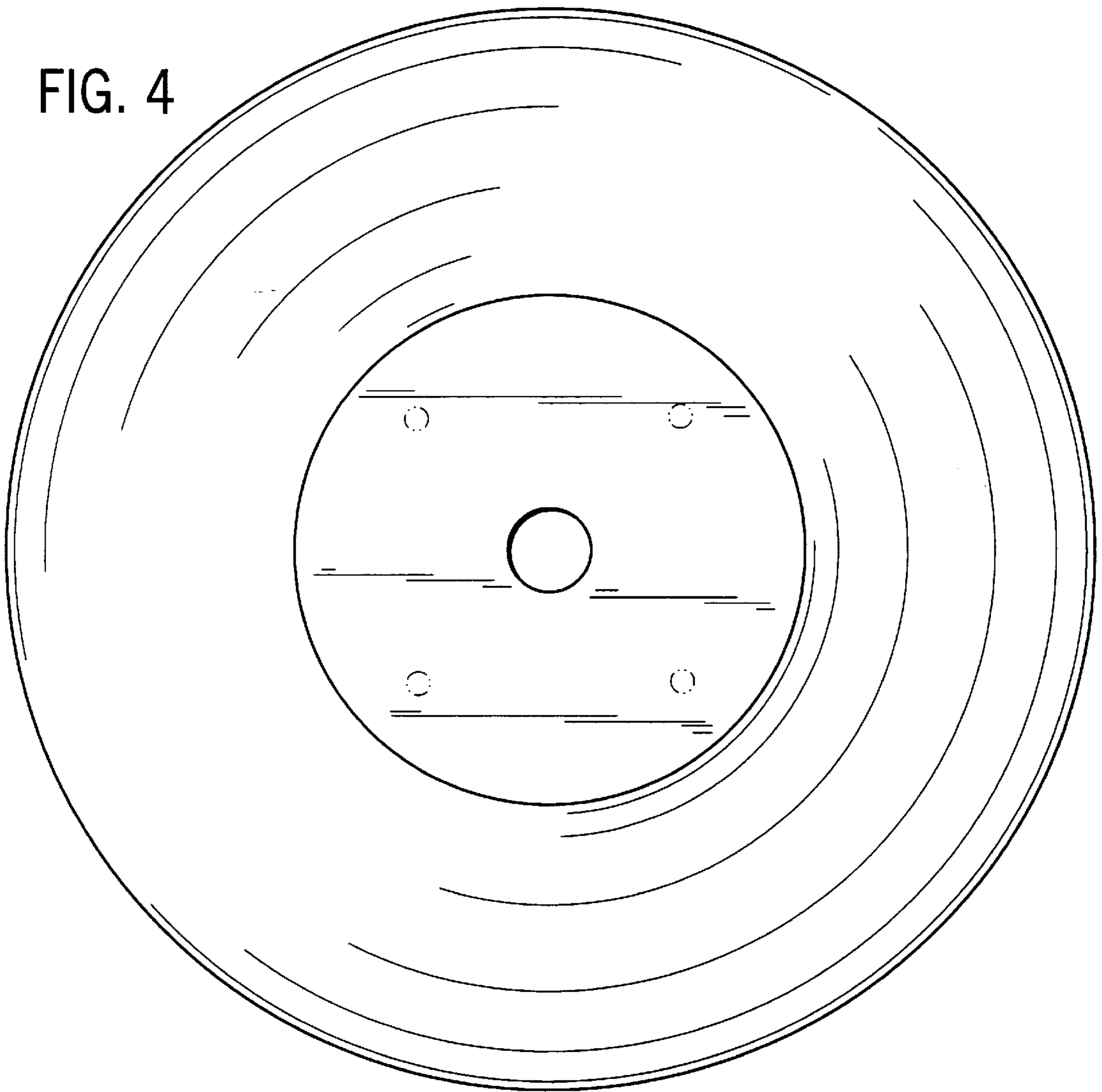


FIG. 5

