



US00D430272S

**United States Patent** [19]  
**Hung-Lin**

[11] **Patent Number: Des. 430,272**

[45] **Date of Patent: \*\* Aug. 29, 2000**

[54] **SWITCH VALVE**

D. 412,561 8/1999 Voo ..... D23/245  
3,036,589 5/1962 Mosier ..... 251/309  
3,467,356 9/1969 Mueller ..... 251/309

[76] Inventor: **Lai Hung-Lin**, No. 5-3, Chi Pan Lane,  
Lou Chien Li, Lu Kang Township,  
Chang Hua Hsien, Taiwan

*Primary Examiner*—Robin V. Taylor  
*Attorney, Agent, or Firm*—Harrison & Egbert

[\*\*] Term: **14 Years**

[57] **CLAIM**

[21] Appl. No.: **29/113,042**

I claim the ornamental design for a switch valve, as shown and described.

[22] Filed: **Oct. 29, 1999**

**DESCRIPTION**

[51] **LOC (7) Cl.** ..... **23-01**

[52] **U.S. Cl.** ..... **D23/245; D23/233**

[58] **Field of Search** ..... D23/233–237,  
D23/244–245; 251/309, 310, 315.01, 315.1

FIG. 1 is an upper perspective view of a switch valve showing my design.

FIG. 2 is a front view thereof;

FIG. 3 is a back view thereof;

FIG. 4 is a side view thereof;

FIG. 5 is an opposite side view thereof;

FIG. 6 is a top view thereof; and,

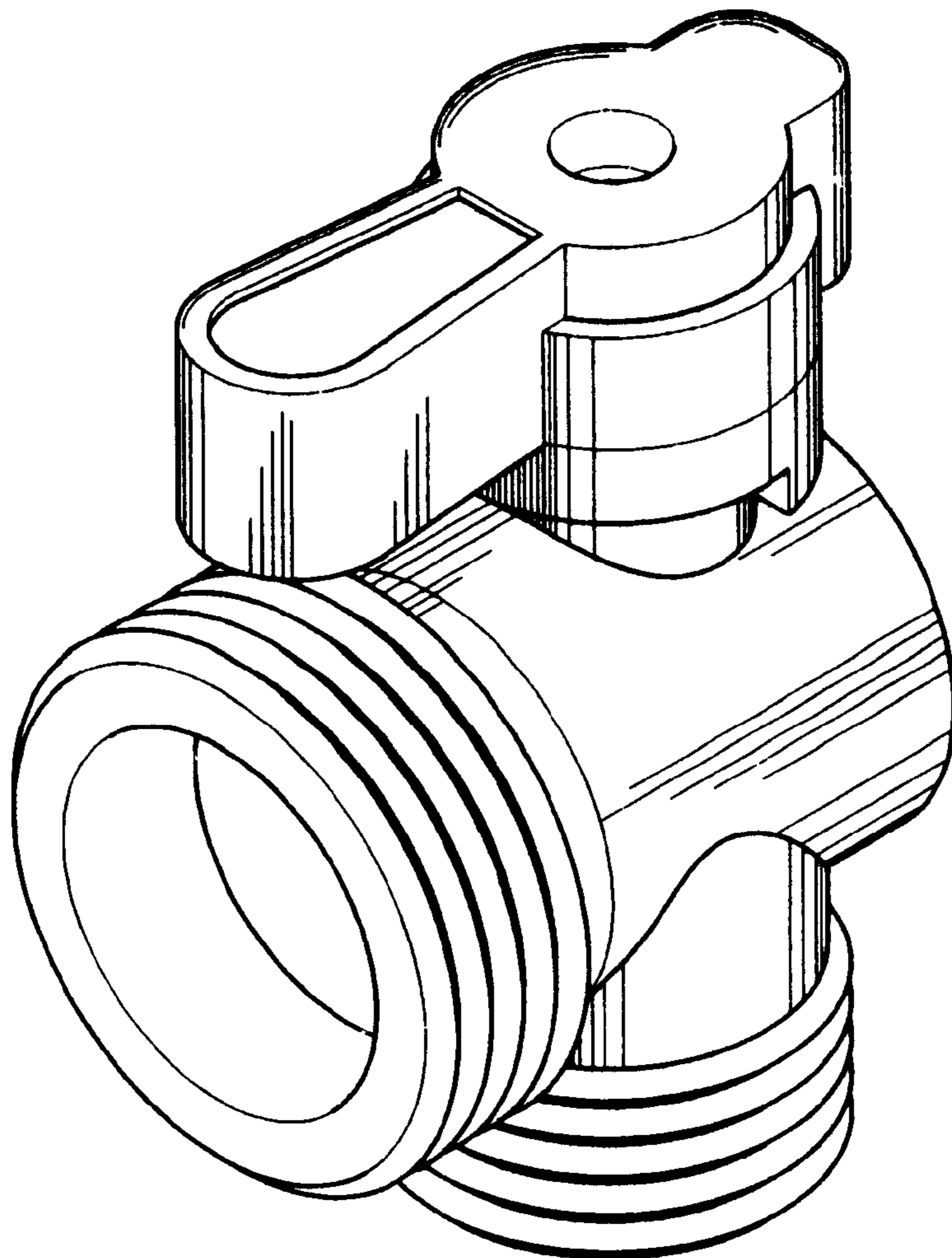
FIG. 7 is a bottom view thereof.

[56] **References Cited**

**U.S. PATENT DOCUMENTS**

D. 234,200 1/1975 Buechler ..... D23/233  
D. 291,230 8/1987 Kunz ..... D23/233  
D. 318,903 8/1991 Lenberg ..... D23/245

**1 Claim, 4 Drawing Sheets**



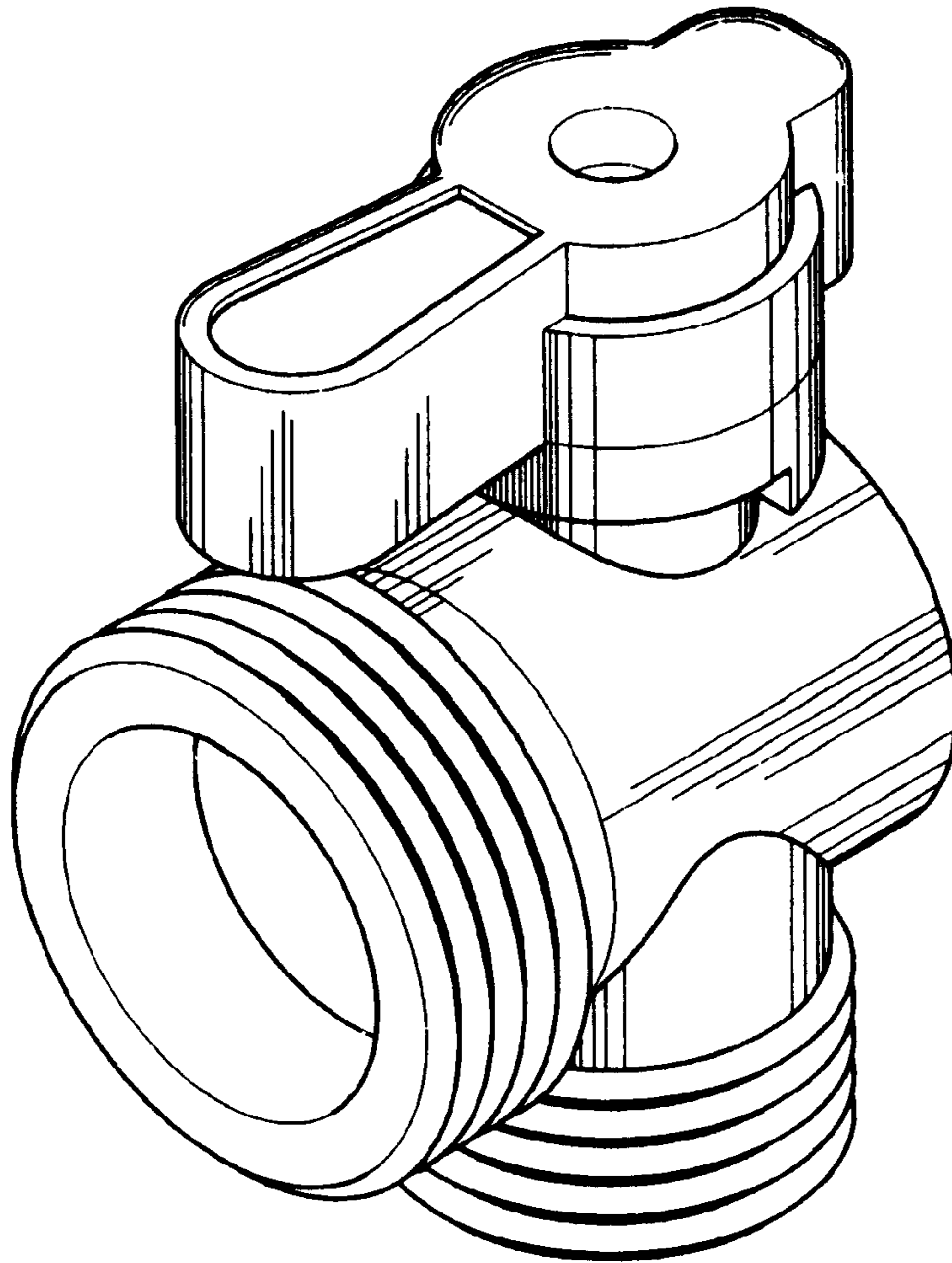


FIG.1

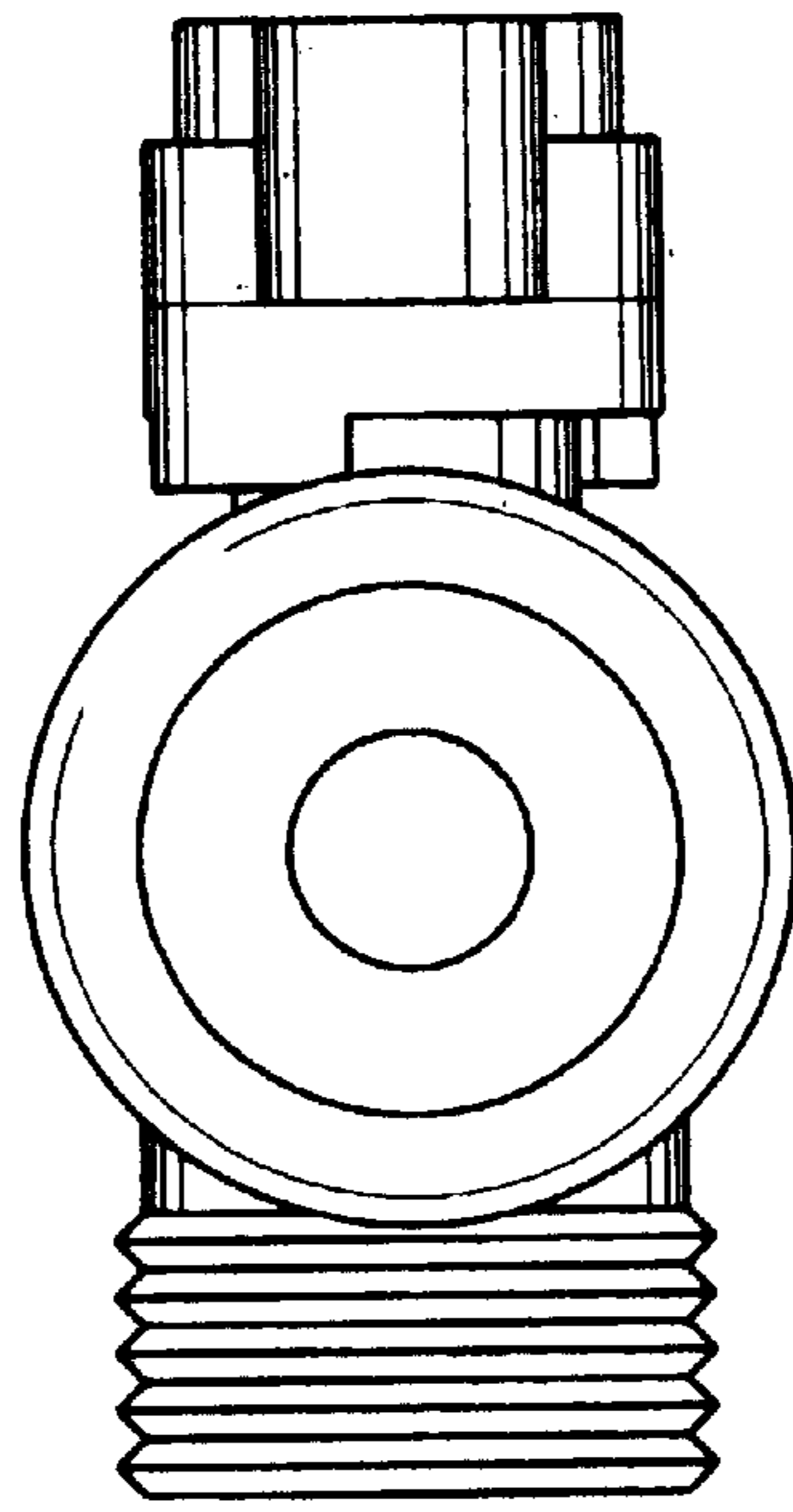


FIG. 2

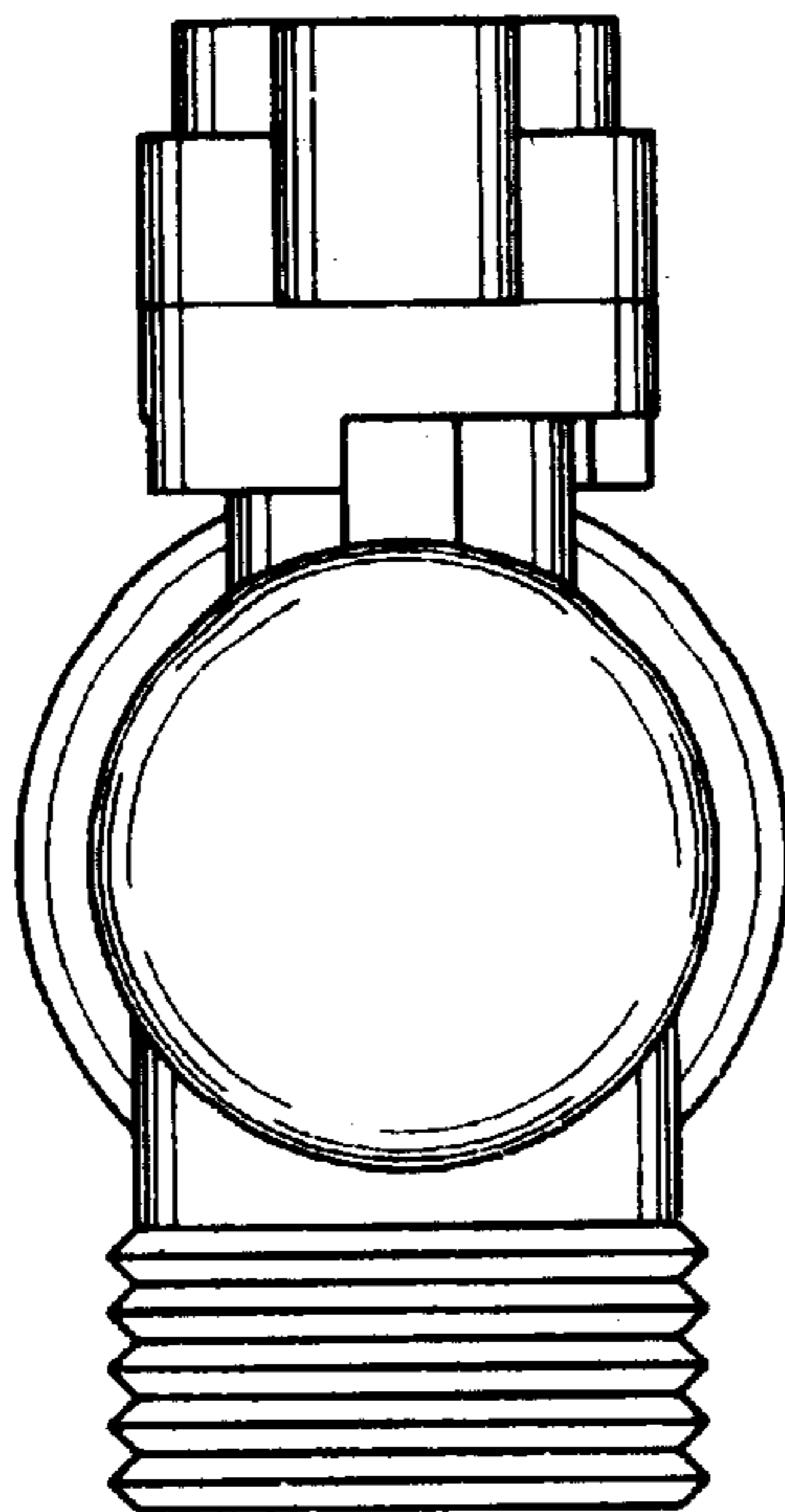


FIG. 3

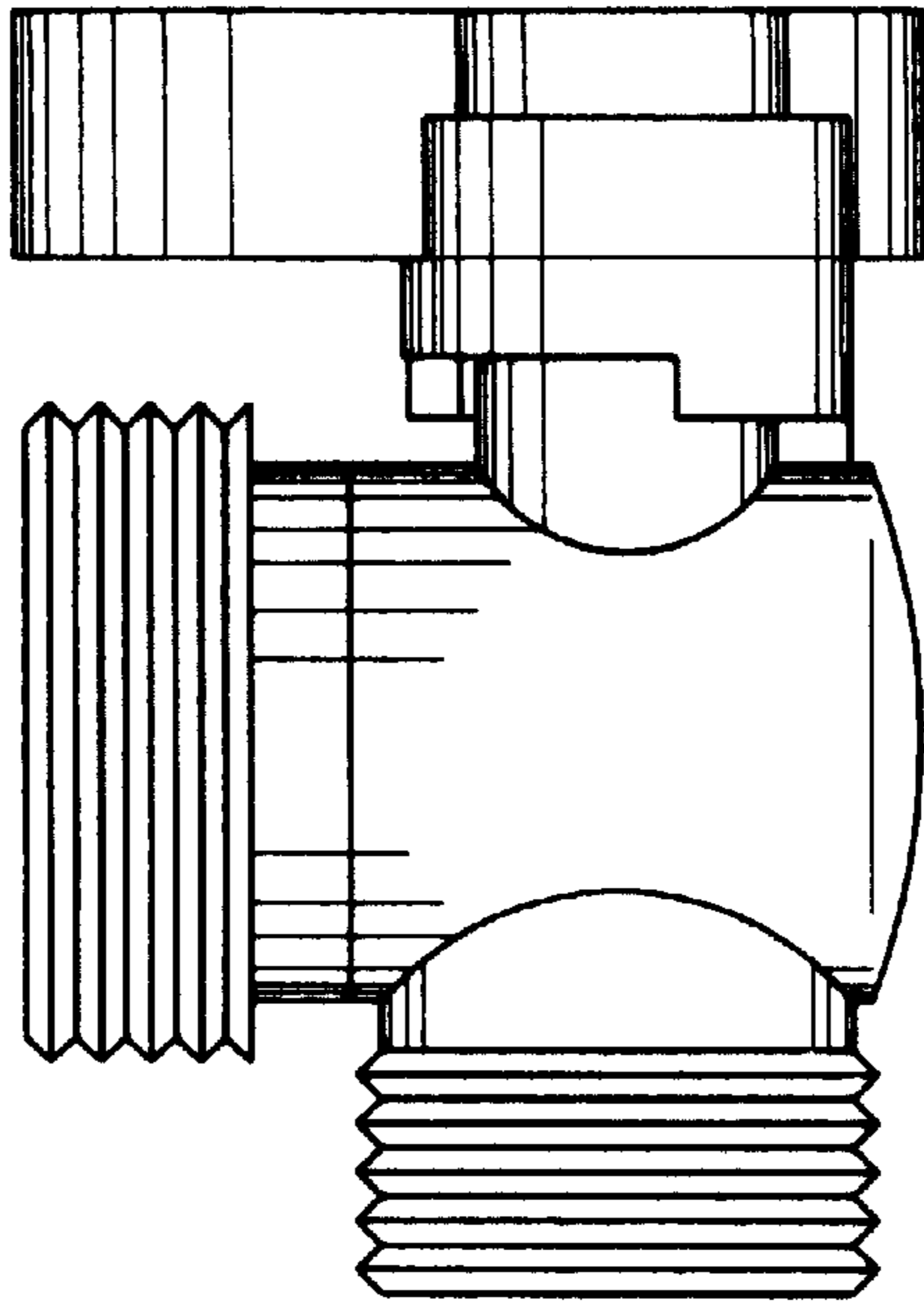


FIG. 4

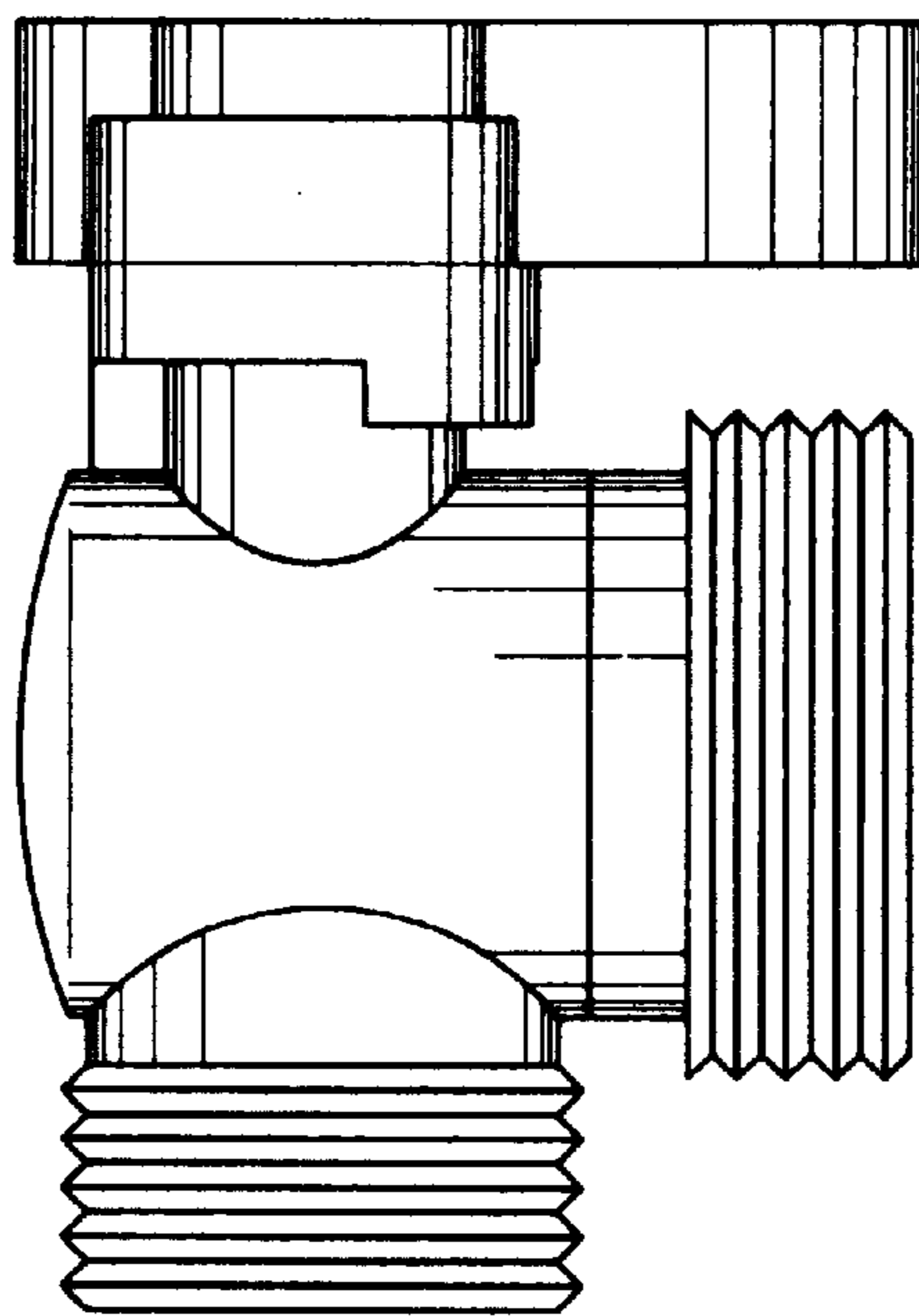


FIG. 5

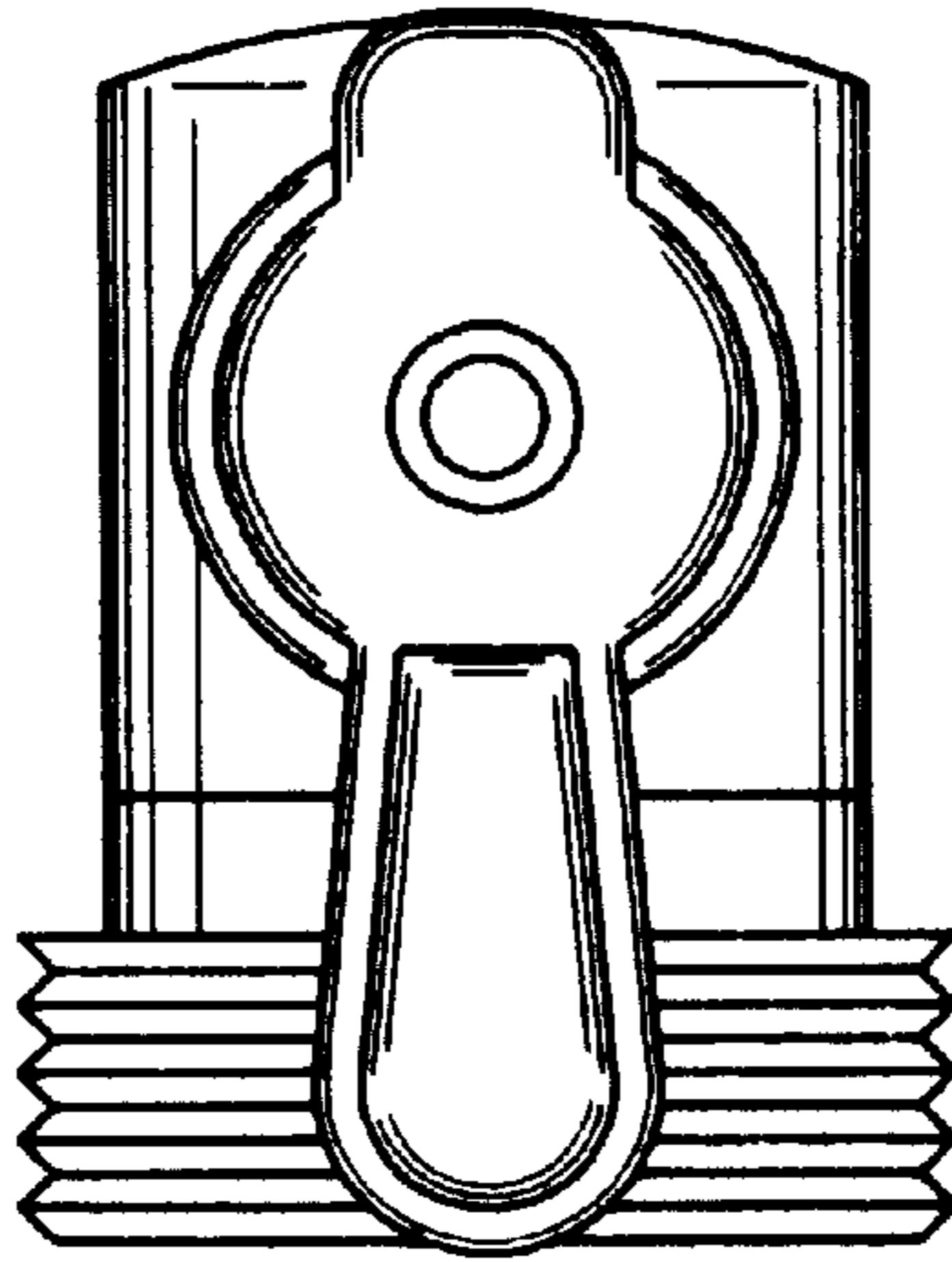


FIG. 6

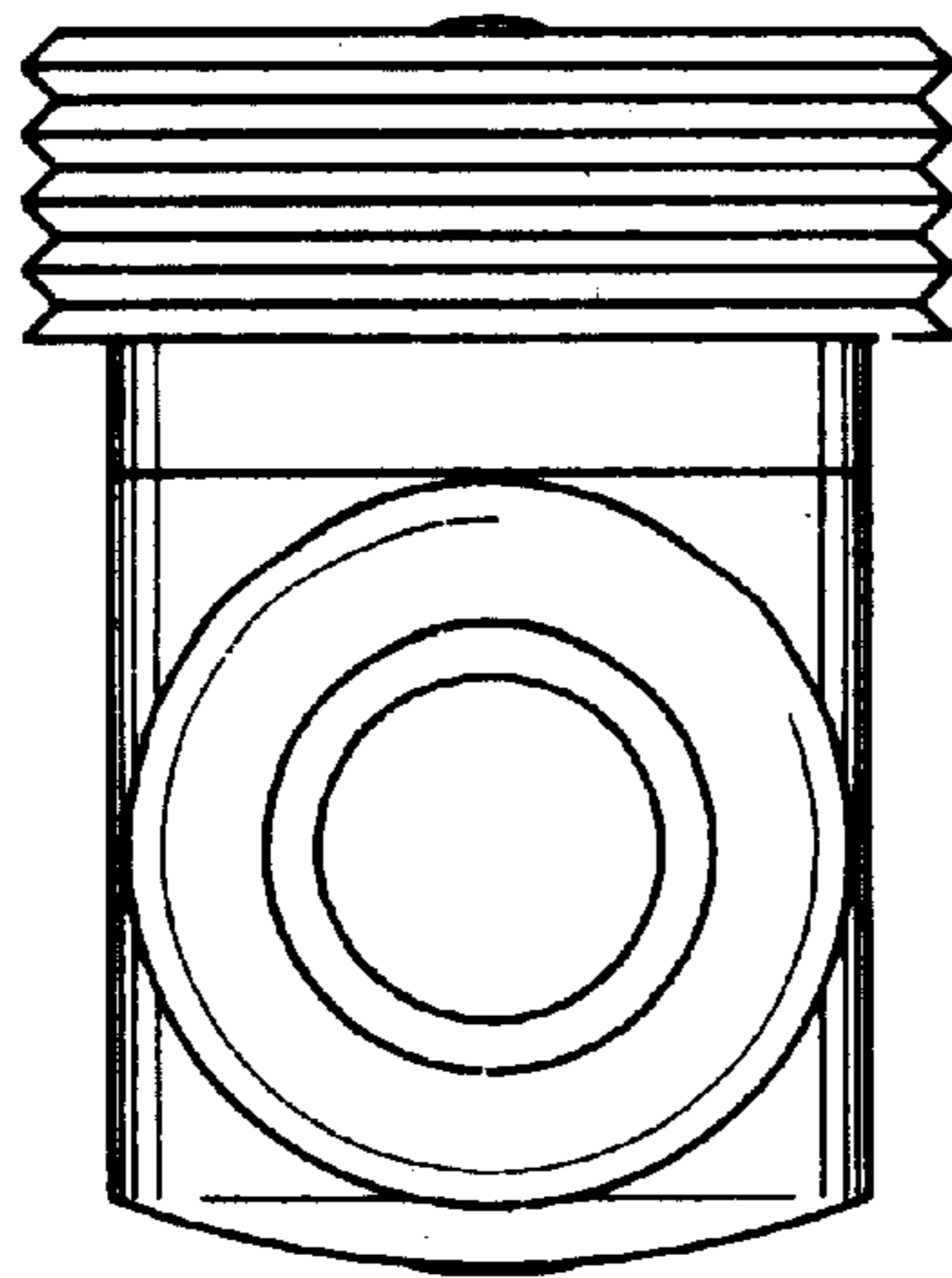


FIG. 7