



US00D430270S

**United States Patent** [19]  
**Lord**

[11] **Patent Number: Des. 430,270**

[45] **Date of Patent: \*\* Aug. 29, 2000**

[54] **FAUCET**

[75] Inventor: **Judd A. Lord**, Carmel, Ind.

[73] Assignee: **Masco Corporation of Indiana**, Indianapolis, Ind.

[\*\*] Term: **14 Years**

[21] Appl. No.: **29/117,561**

[22] Filed: **Jan. 27, 2000**

[51] **LOC (7) Cl.** ..... **23-01**

[52] **U.S. Cl.** ..... **D23/238; D23/241**

[58] **Field of Search** ..... **D23/238-243, D23/250-257; D8/300-310; 4/675-678; 137/801**

[56] **References Cited**

**U.S. PATENT DOCUMENTS**

D. 207,044	2/1967	Hurwitz	.....	D23/241
D. 346,013	4/1994	McKeone	.....	D23/255
D. 363,974	11/1995	Doughty et al.	.....	D23/241
D. 374,709	10/1996	Doughty et al.	.....	D23/241
D. 379,213	5/1997	Gottwald	.....	D23/238
D. 392,026	3/1998	Doughty et al.	.....	D23/241
D. 393,692	4/1998	Ko	.....	D23/238
D. 416,982	11/1999	Warshawsky et al.	.....	D23/241
D. 418,578	1/2000	Warshawsky et al.	.....	D23/241

**OTHER PUBLICATIONS**

Kohler K-500 Design Manual, from the examiner's collection, p. 40 Taboret Faucet, Oct. 1990.

*Primary Examiner*—Louis S. Zarfaz

*Assistant Examiner*—G Andoll

*Attorney, Agent, or Firm*—Myron B. Kapustij; Lloyd D. Doigan

[57] **CLAIM**

The ornamental design for a faucet, as shown and described.

**DESCRIPTION**

FIG. 1 is a rear perspective view of the faucet showing my new design;

FIG. 2 is a front perspective view thereof;

FIG. 3 is a right side elevational view thereof, the left side being a mirror image;

FIG. 4 is a front elevational view thereof;

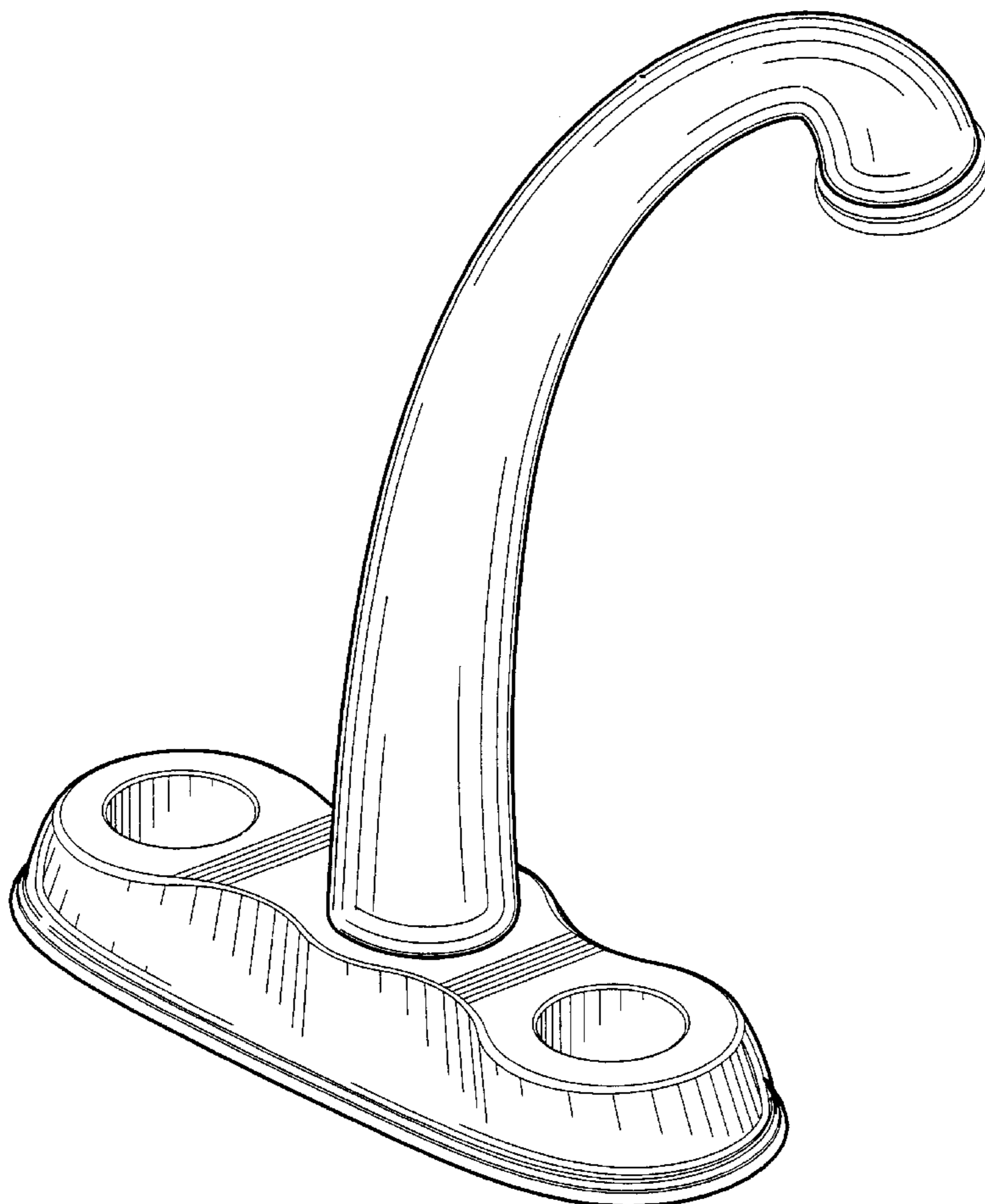
FIG. 5 is a top plan view thereof;

FIG. 6 is a rear elevational view thereof; and,

FIG. 7 is a bottom plan view thereof.

The broken line showing of the lift rod in FIG. 2 and apertures in FIG. 7 are for purposes of illustration only and form no part of the claimed design.

**1 Claim, 4 Drawing Sheets**



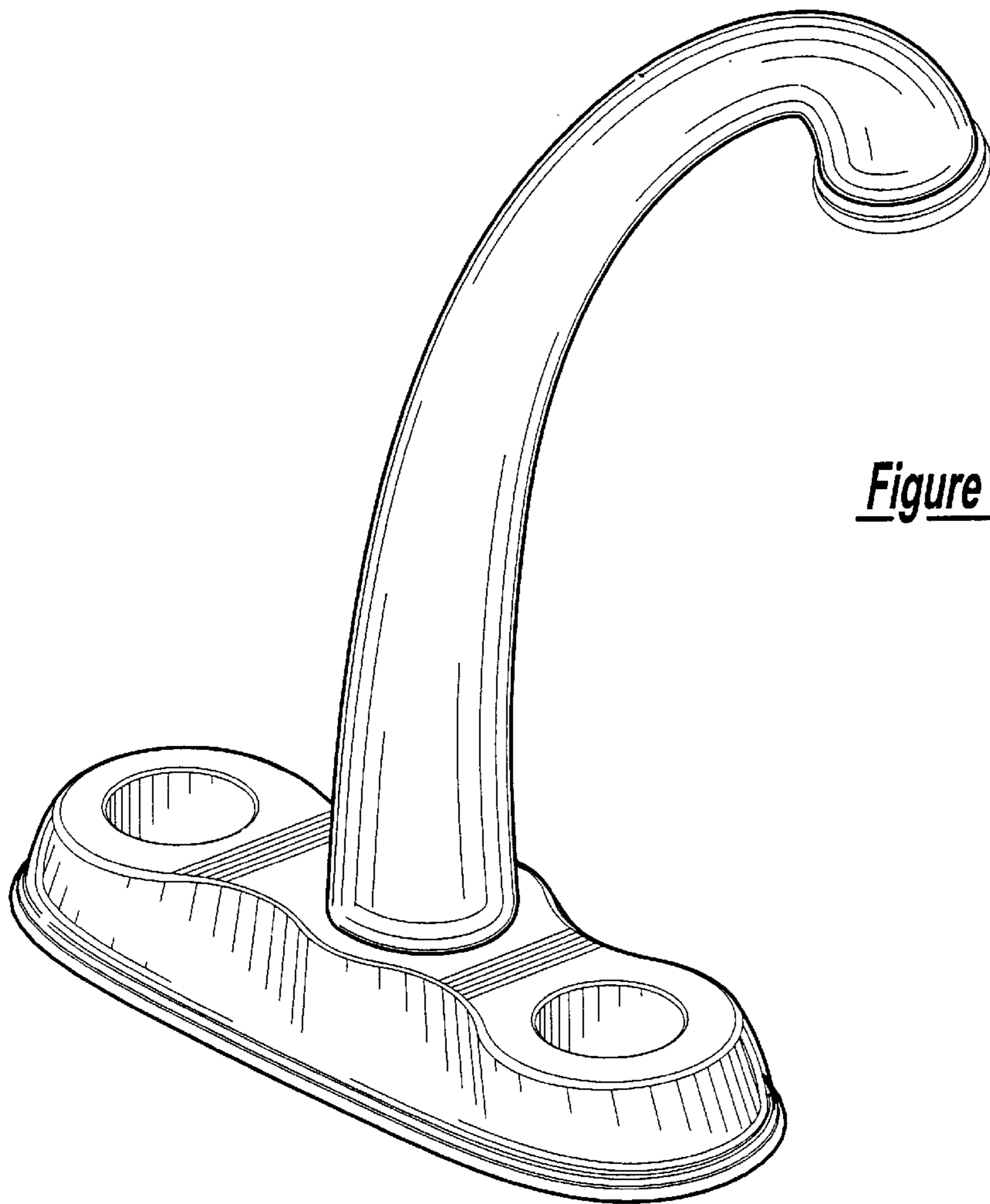


Figure - 1

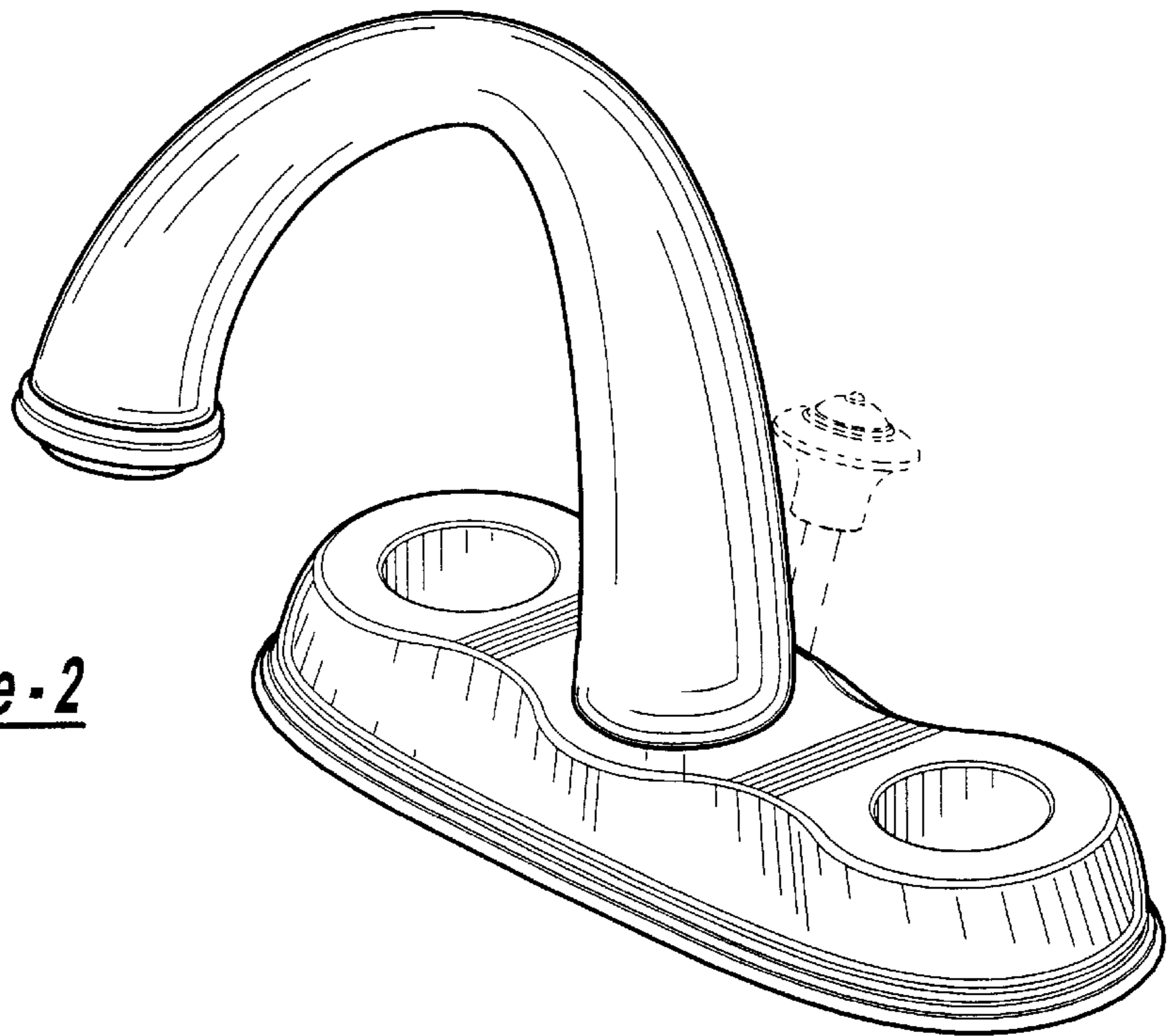


Figure - 2

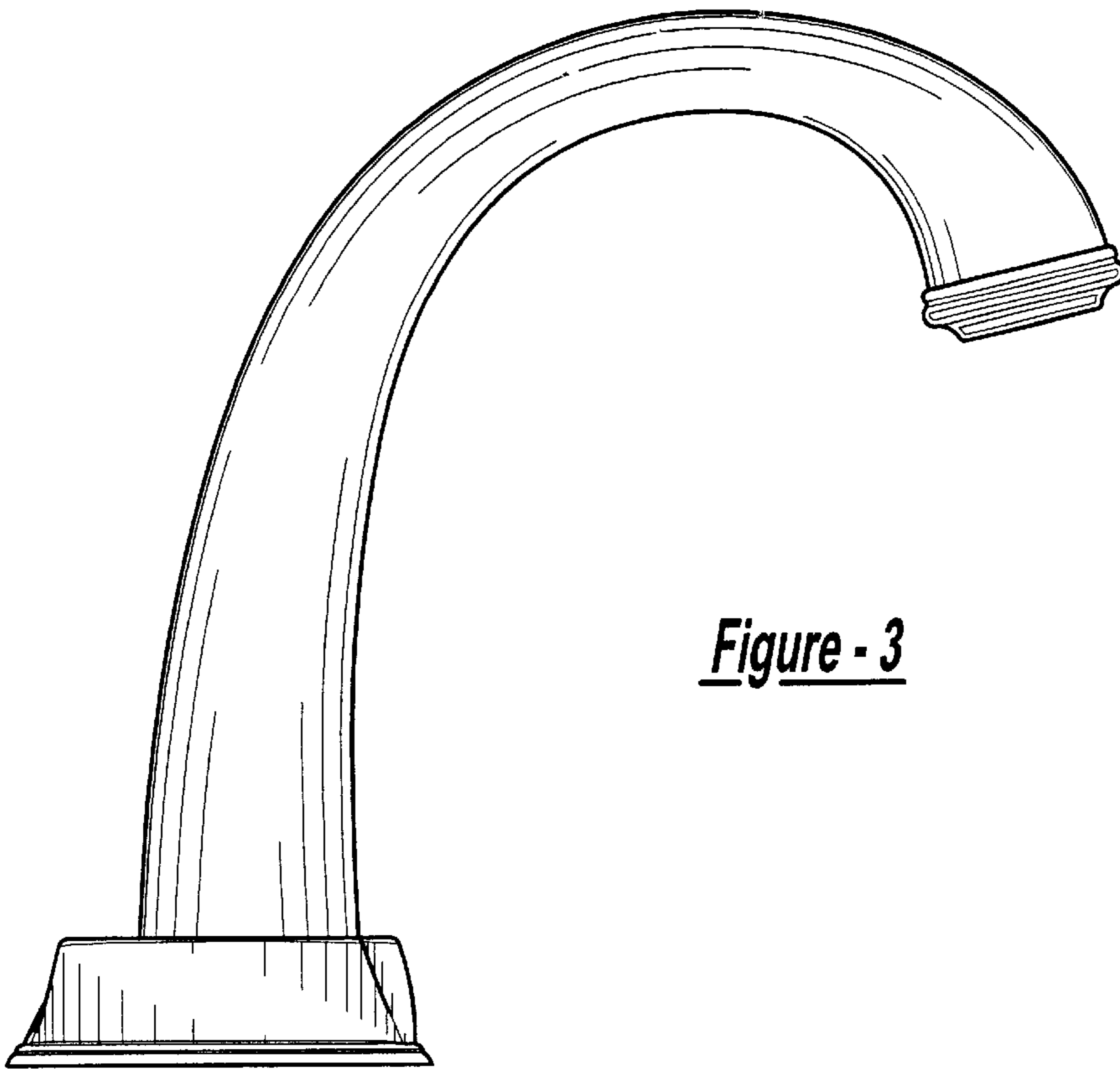


Figure - 3

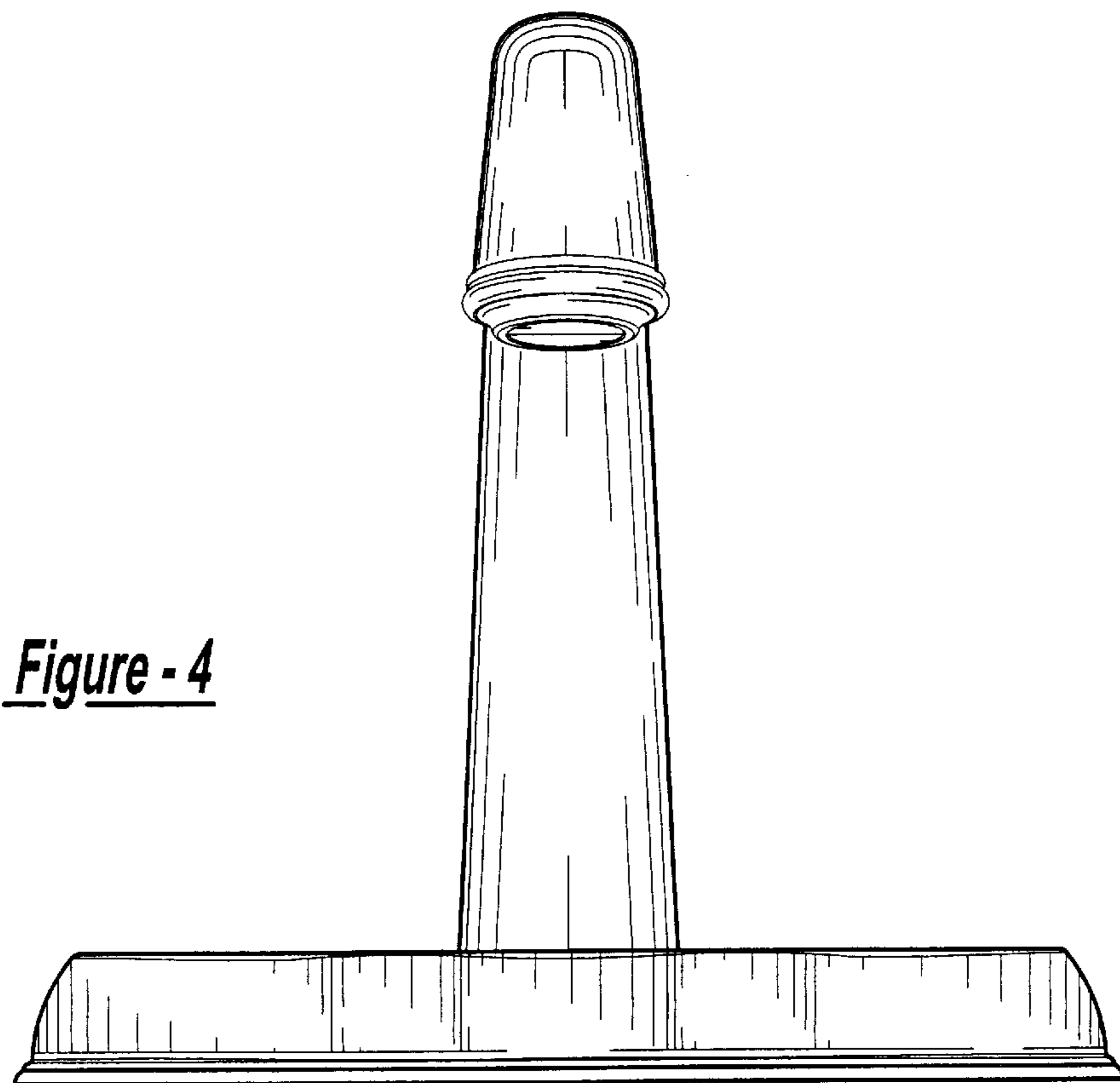


Figure - 4

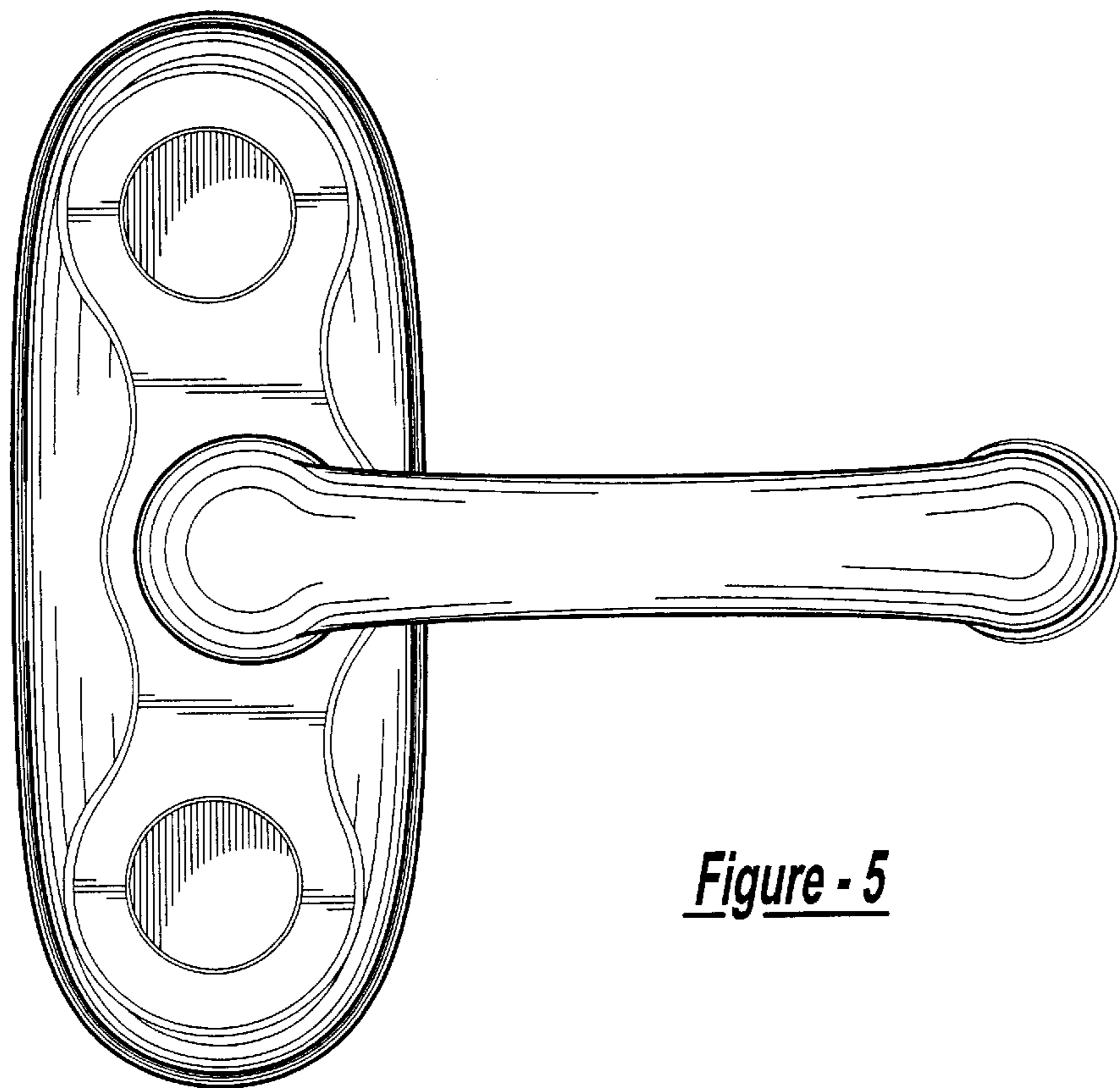


Figure - 5

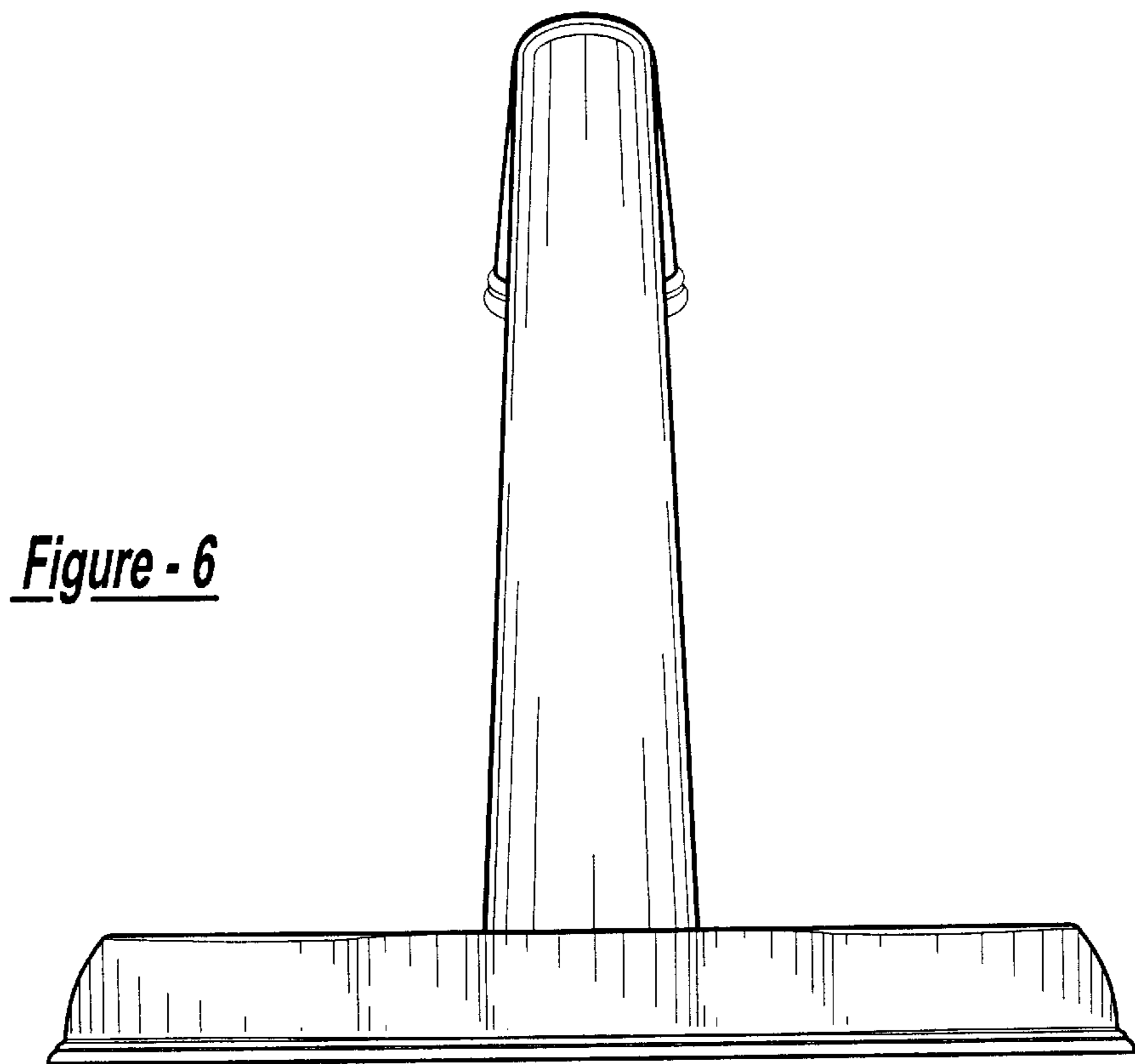


Figure - 6

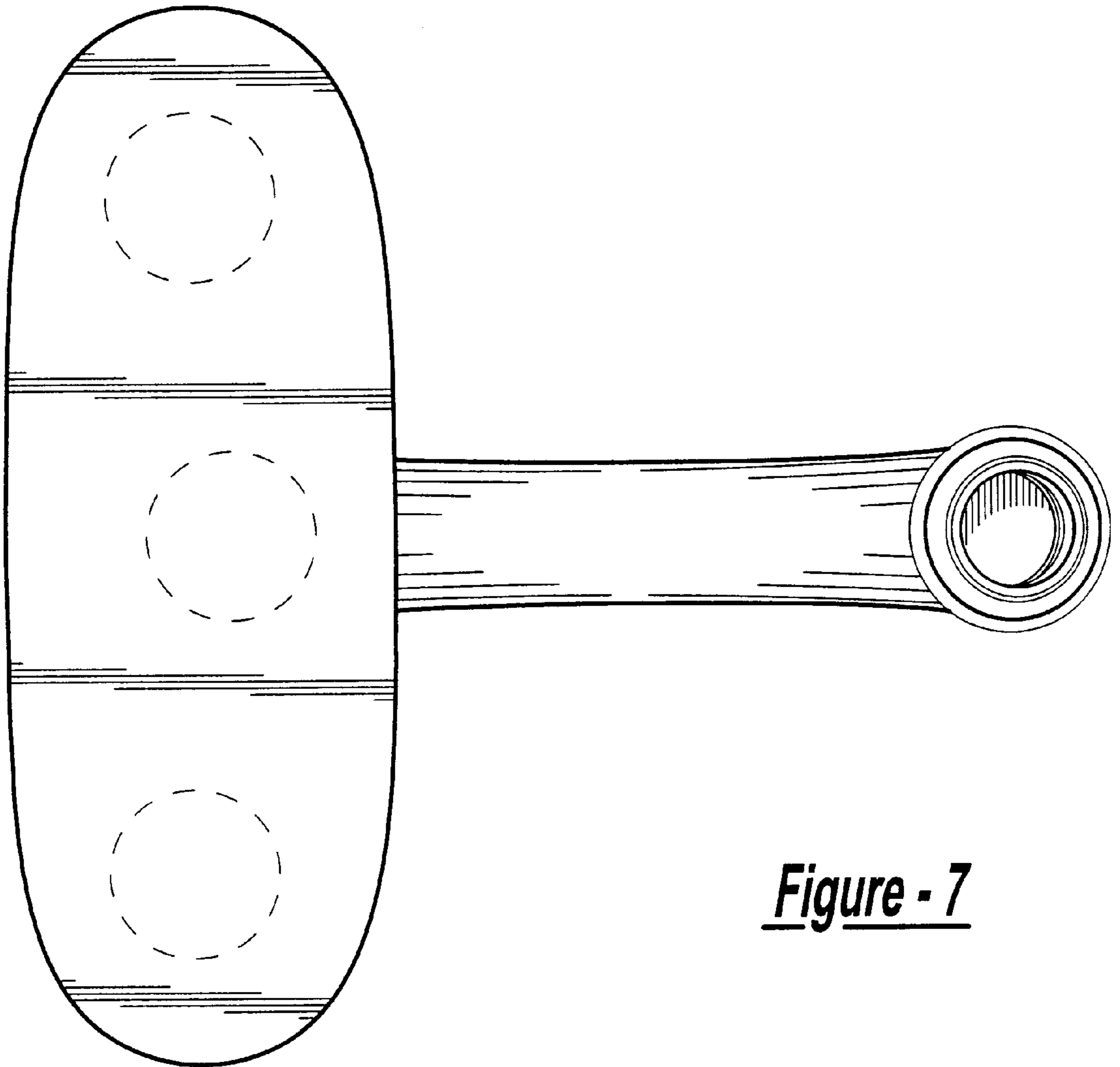


Figure - 7