



US00D430265S

United States Patent [19]

[11] **Patent Number: Des. 430,265**

Tse

[45] **Date of Patent: ** Aug. 29, 2000**

[54] **SHOWER HEAD**

D. 375,541 11/1996 Michaluk D23/229
D. 394,897 6/1998 Chan D23/213

[75] Inventor: **Hing Fai Tse**, Tai Po, The Hong Kong Special Administrative Region of the People's Republic of China

Primary Examiner—Robin V. Taylor
Attorney, Agent, or Firm—Leydig, Voit & Mayer, Ltd.

[73] Assignee: **Brand New Technology, Ltd.**, Kowloon, The Hong Kong Special Administrative Region of the People's Republic of China

[57] **CLAIM**

The ornamental design for a shower head, as shown and described.

[**] Term: **14 Years**

DESCRIPTION

[21] Appl. No.: **29/094,338**

FIG. 1 is a front, left side and bottom perspective view of a shower head showing my new design;

[22] Filed: **Sep. 30, 1998**

FIG. 2 is a front elevational view thereof;

[51] **LOC (7) Cl.** **23-01**

FIG. 3 is a rear elevational view thereof;

[52] **U.S. Cl.** **D23/229**

FIG. 4 is a left side elevational view thereof;

[58] **Field of Search** D23/213, 223, D23/226, 228, 229, 230; 239/394, 460-2, 556, 560

FIG. 5 is a right side elevational view thereof;

FIG. 6 is a top plan view thereof; and,

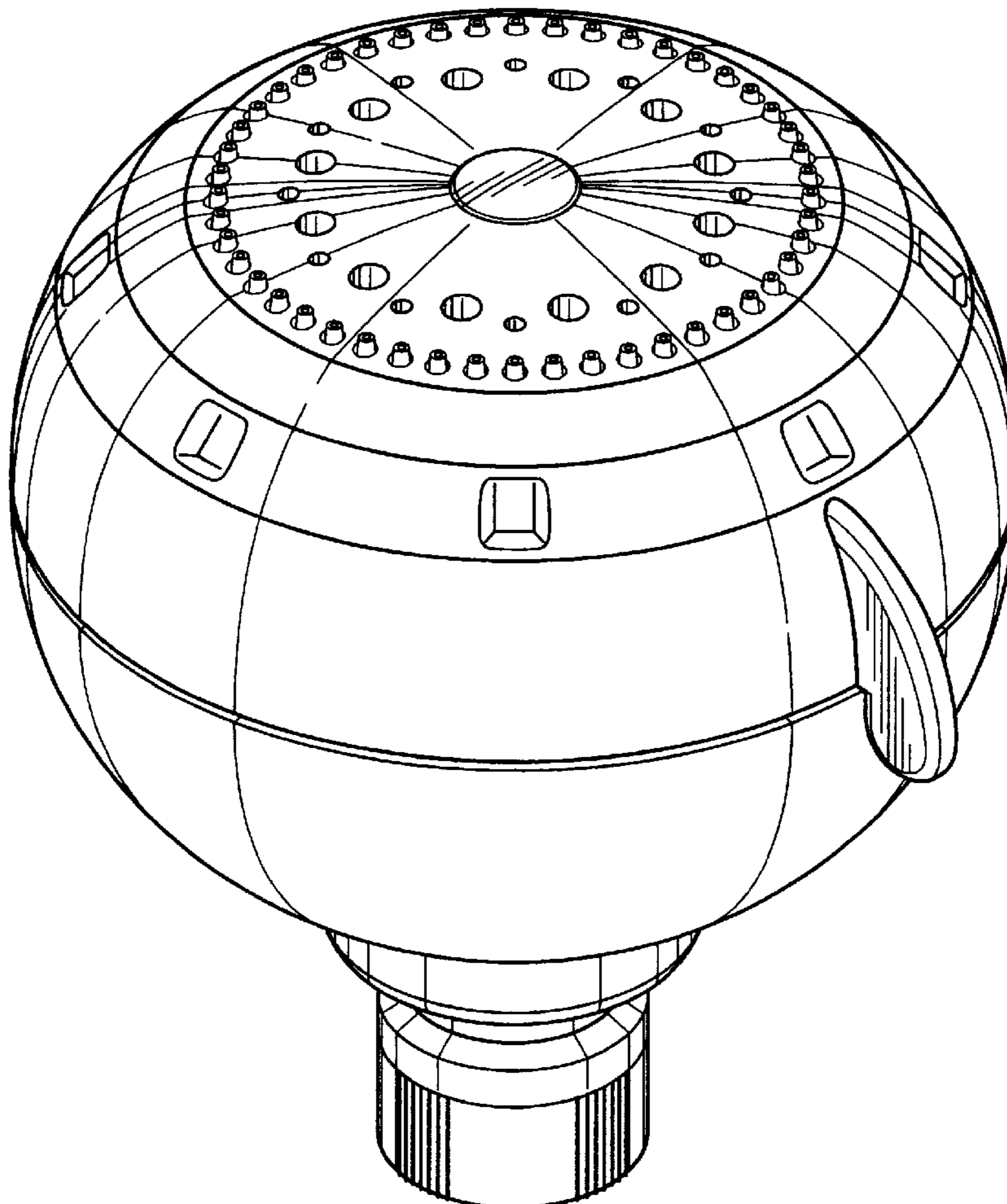
FIG. 7 is a bottom plan view thereof.

[56] **References Cited**

U.S. PATENT DOCUMENTS

D. 115,795 7/1939 Reinecke D23/213

1 Claim, 4 Drawing Sheets



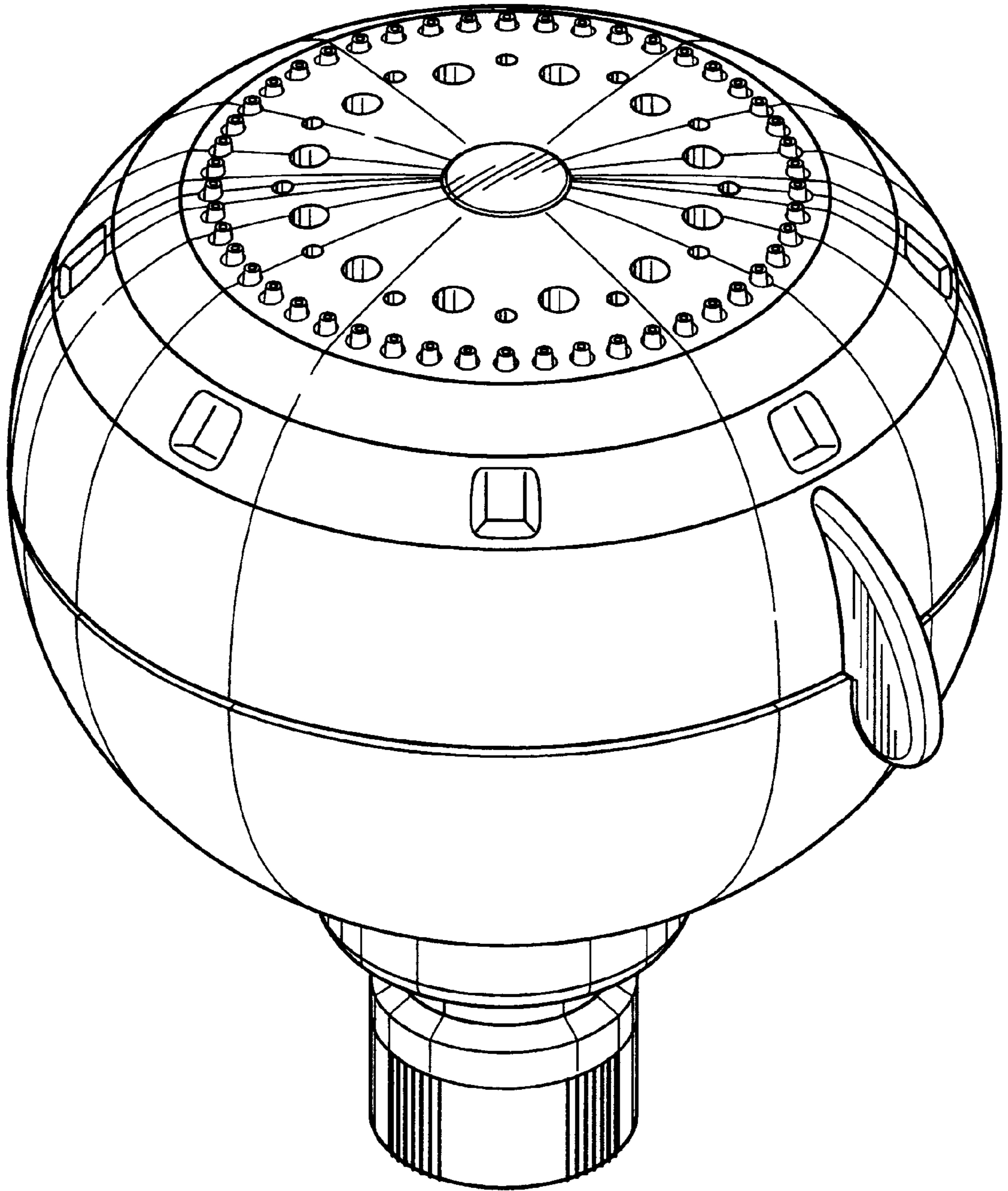


FIG. 1

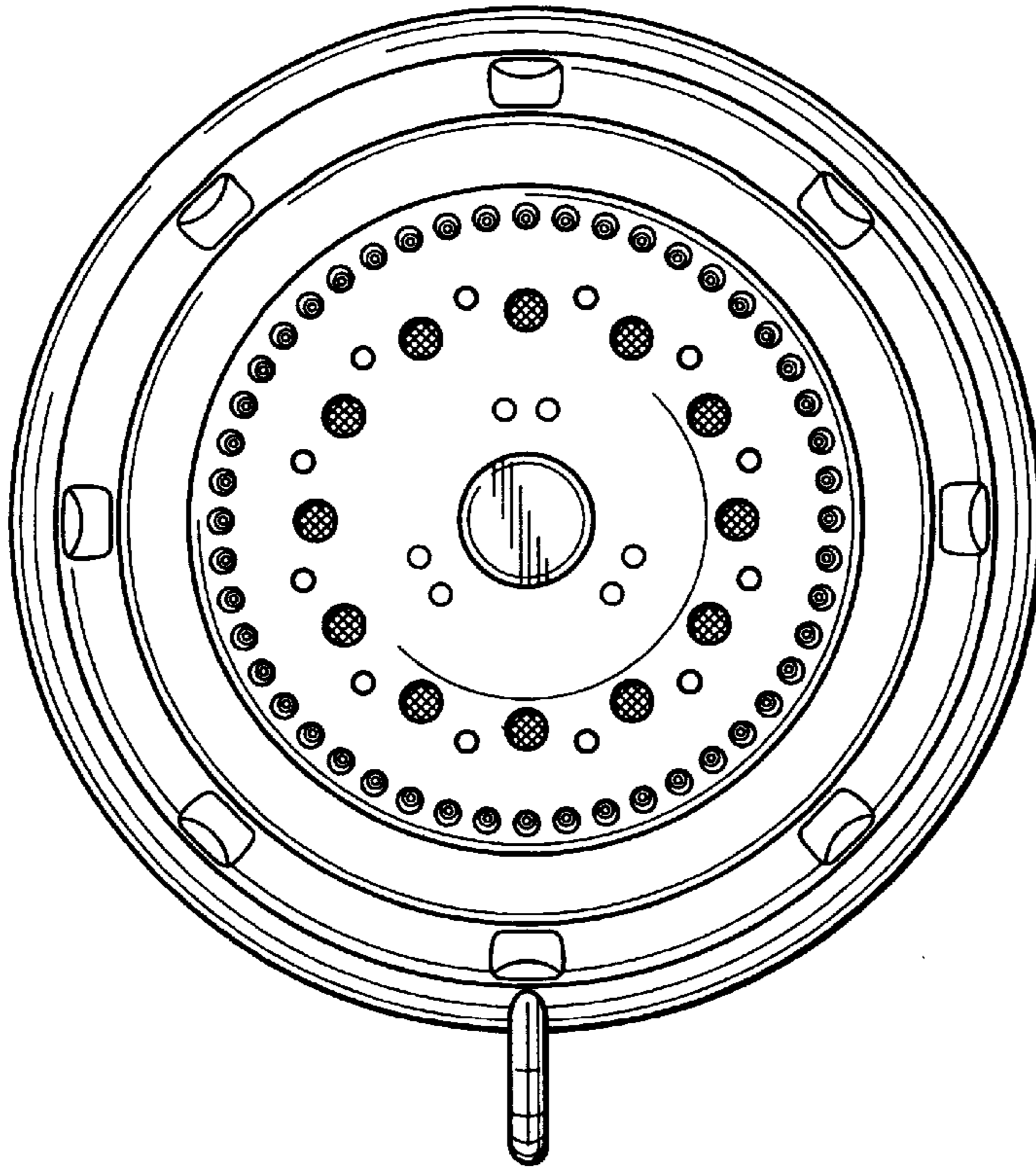


FIG. 2

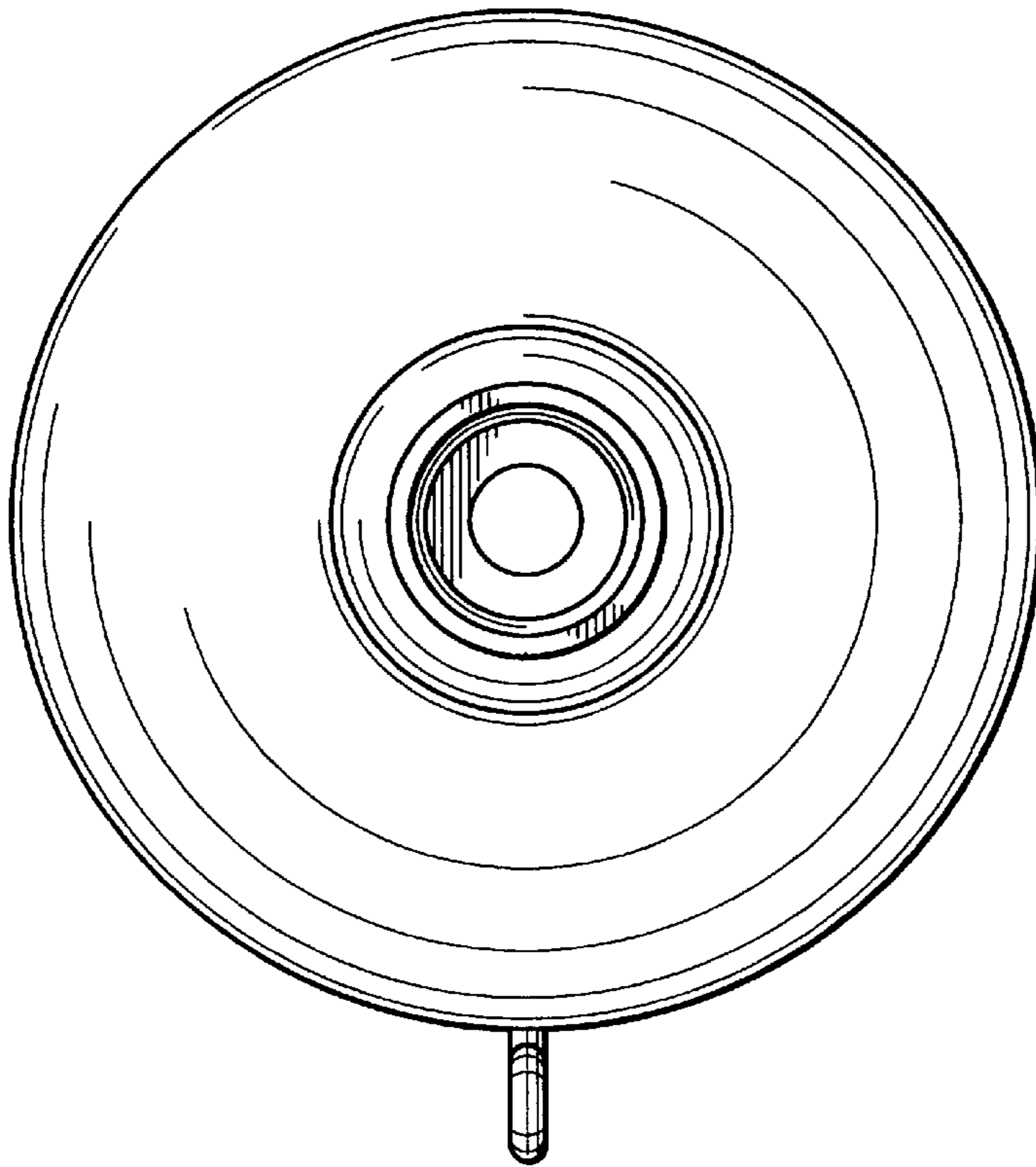


FIG. 3

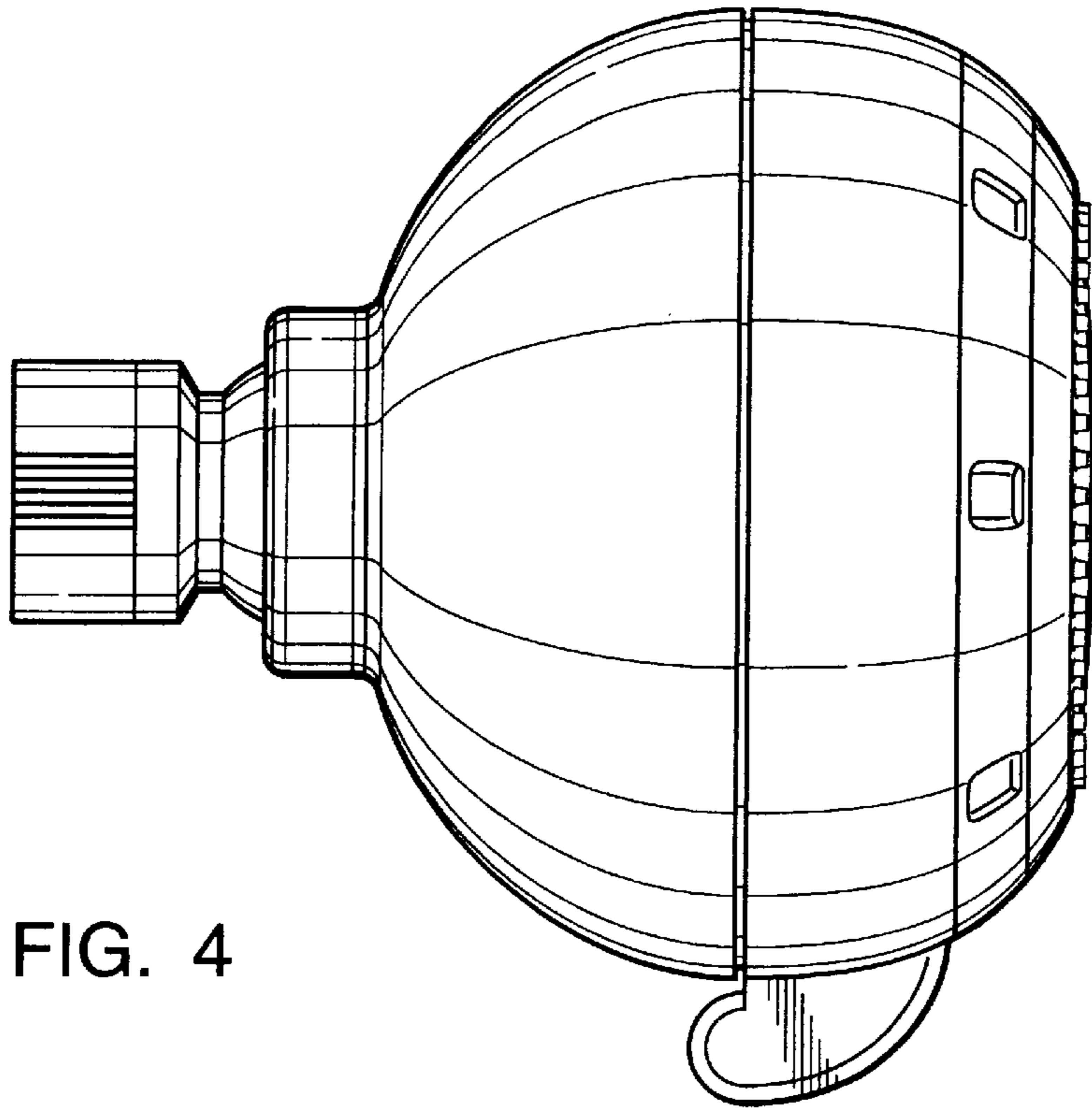


FIG. 4

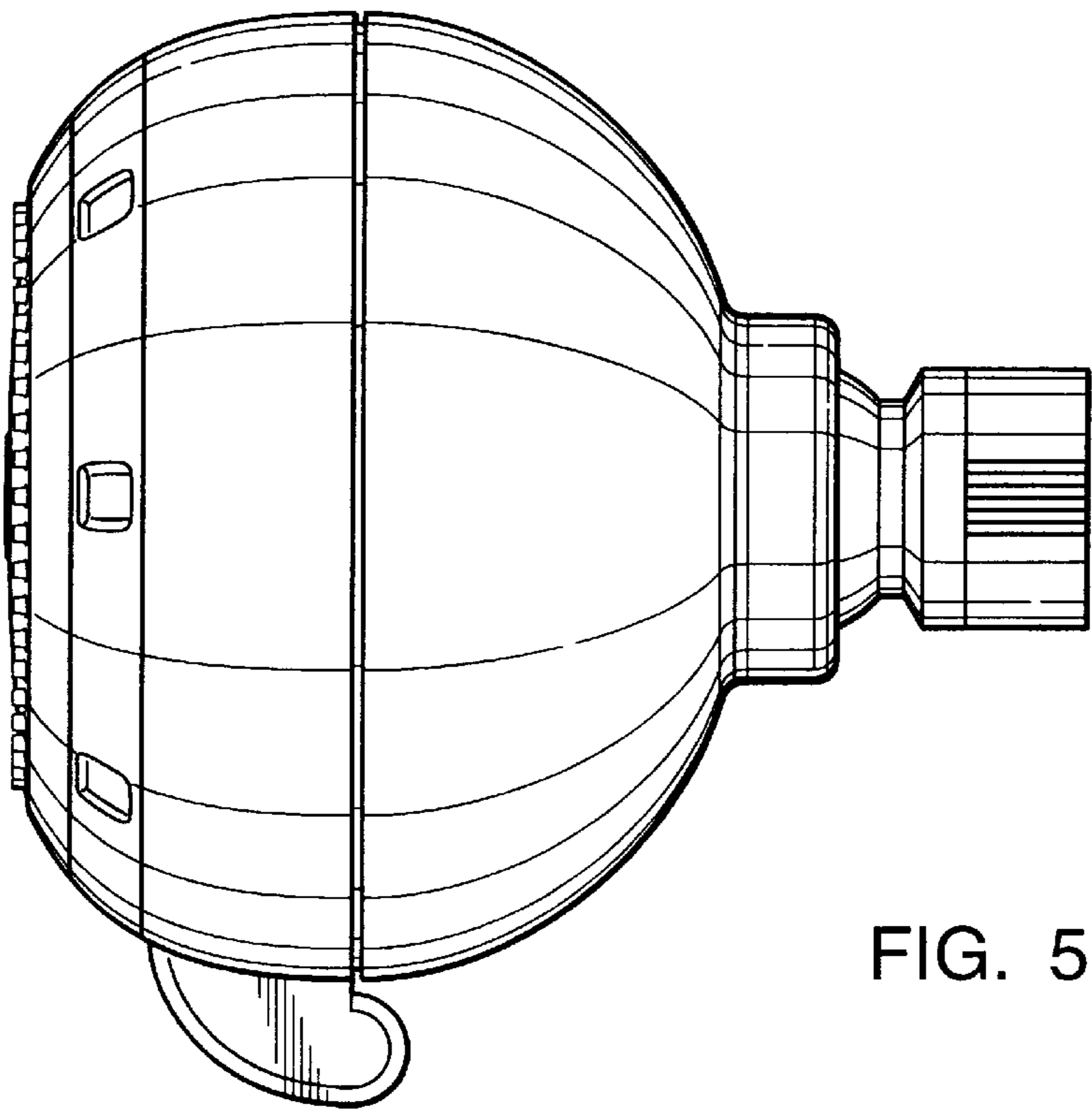


FIG. 5

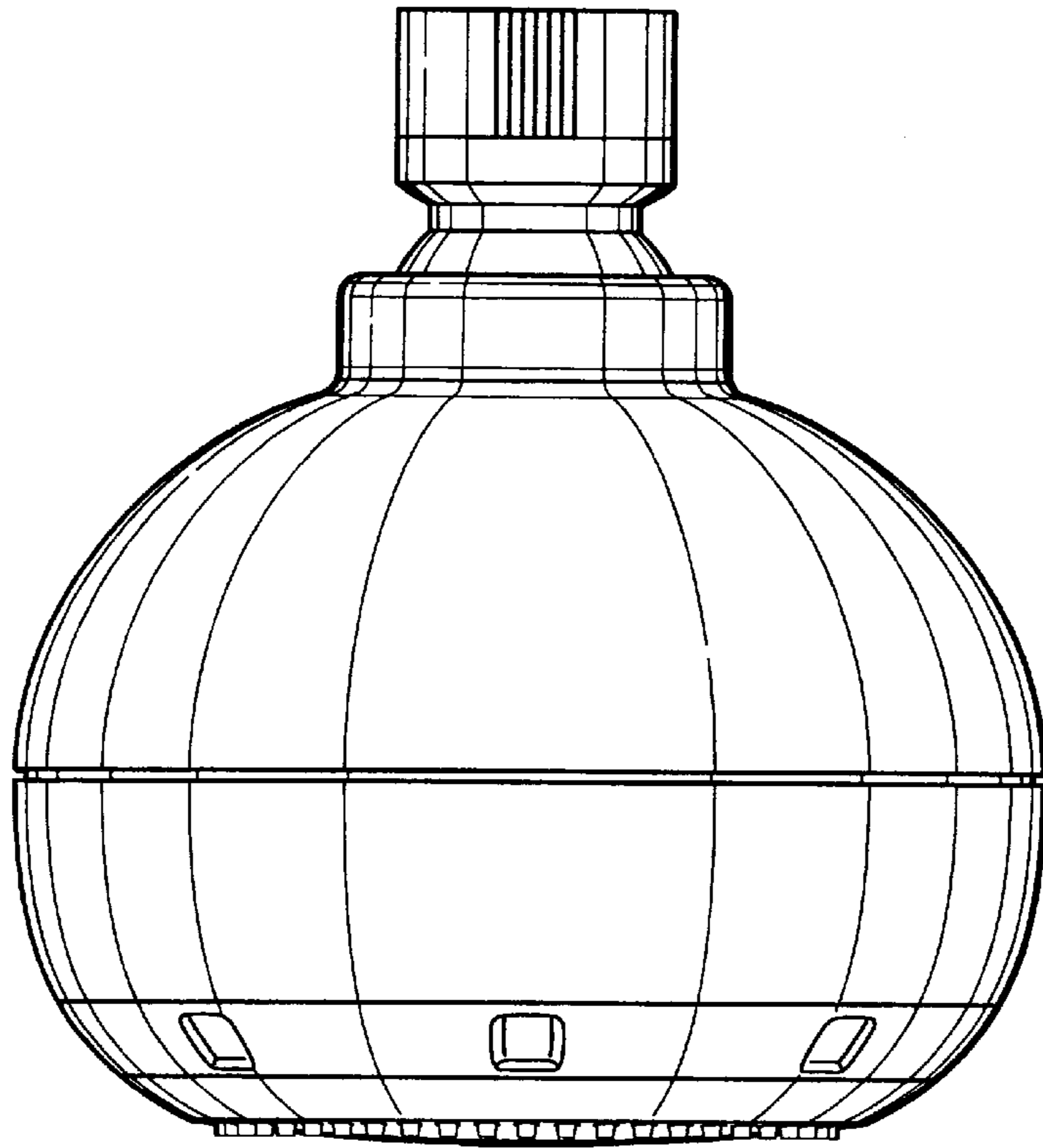


FIG. 6

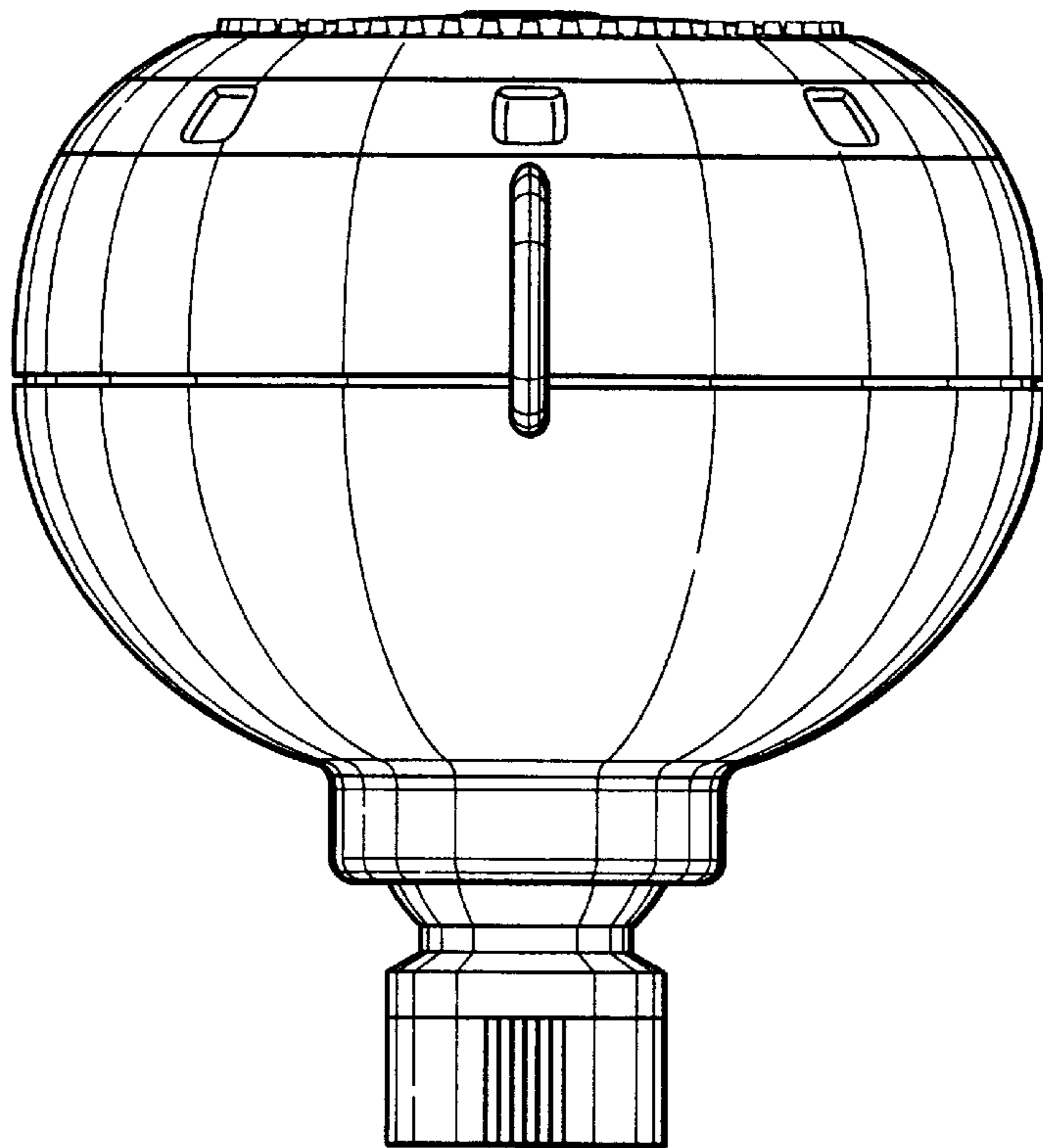


FIG. 7