



US00D430260S

United States Patent [19]
Stroud

[11] **Patent Number: Des. 430,260**

[45] **Date of Patent: ** Aug. 29, 2000**

[54] **FLY SWATTER**

[76] Inventor: **Jerry L. Stroud**, 3607 Mudd La.,
Louisville, Ky. 40229

[**] Term: **14 Years**

[21] Appl. No.: **29/103,388**

[22] Filed: **Apr. 14, 1999**

[51] **LOC (7) Cl.** **22-06**

[52] **U.S. Cl.** **D22/124**

[58] **Field of Search** D22/124; 43/137

[56] **References Cited**

U.S. PATENT DOCUMENTS

D. 92,877	7/1934	Bennett	D22/124
D. 116,366	8/1939	Gatch	D22/124
D. 265,225	6/1982	Oakes	D22/124
D. 407,790	4/1999	Miceli	D22/124
2,806,320	9/1957	Griffith	43/137
4,510,711	4/1985	Bucek	43/137

Primary Examiner—Louis S. Zarfes
Assistant Examiner—Inga-Maria Hyttinen
Attorney, Agent, or Firm—Carrithers Law Office; David W. Carrithers

[57] **CLAIM**

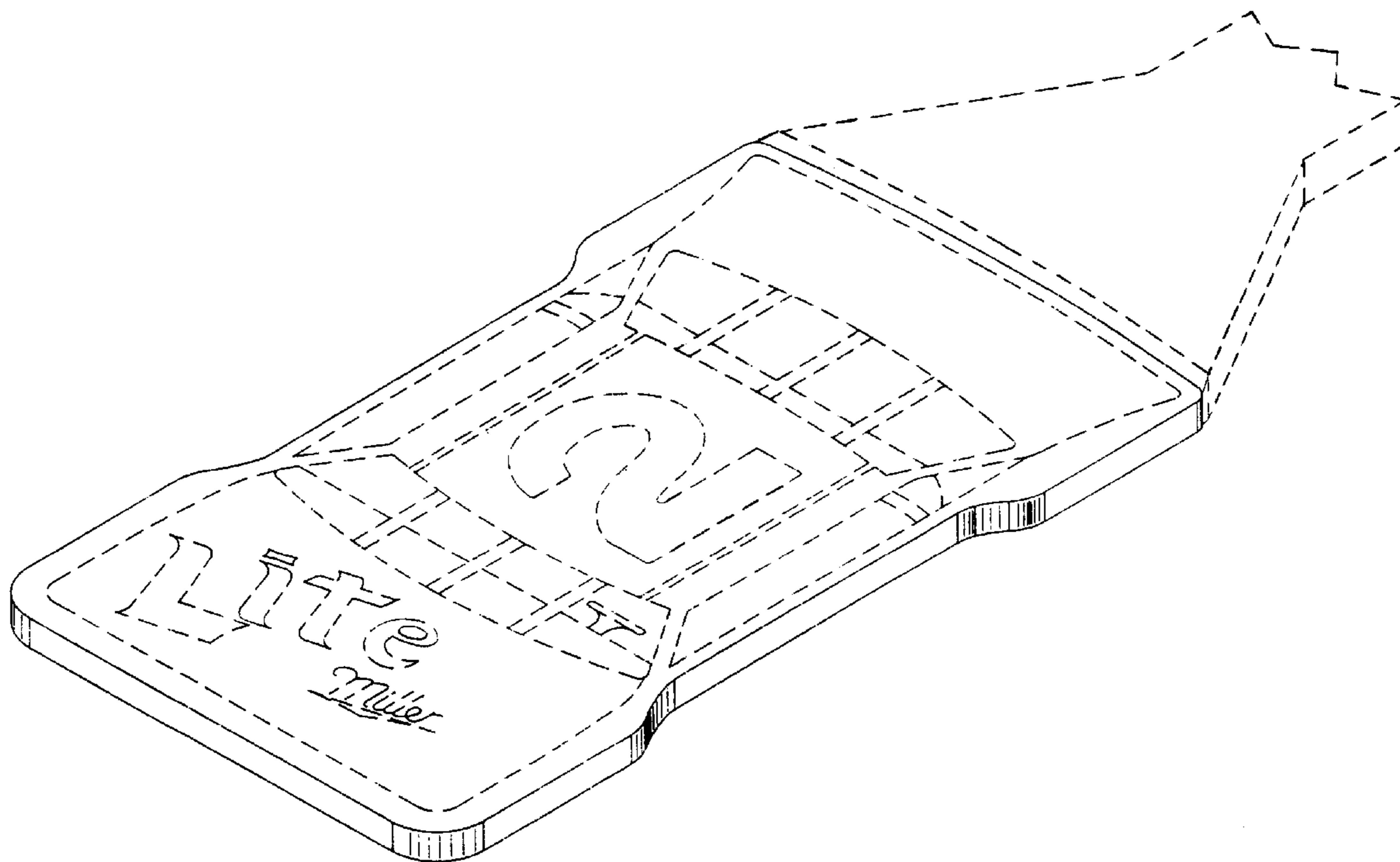
The ornamental design for a fly swatter, as shown and described.

DESCRIPTION

FIG. 1 is a perspective top view of a fly swatter in accordance with my design;
FIG. 2 is an elevated front end view thereof;
FIG. 3 is a top plan view thereof;
FIG. 4 is a bottom plan view thereof;
FIG. 5 is an elevated rear end view thereof;
FIG. 6 is a left side view thereof; and,
FIG. 7 is a right side view thereof.

The broken line showing of a car and a portion of the handle is for illustrative purposes only and forms no part of the claimed design.

1 Claim, 6 Drawing Sheets



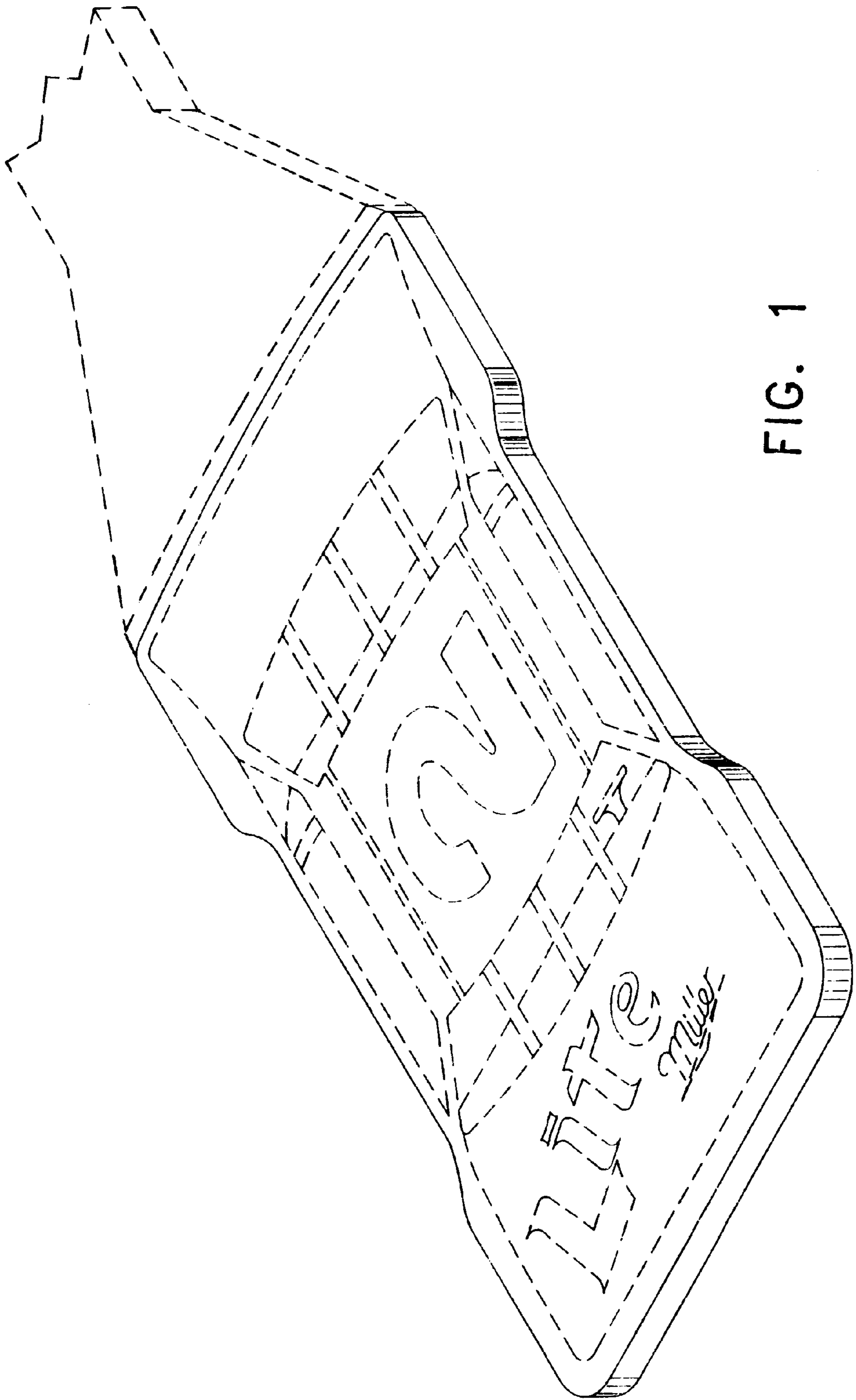


FIG. 1



FIG. 5

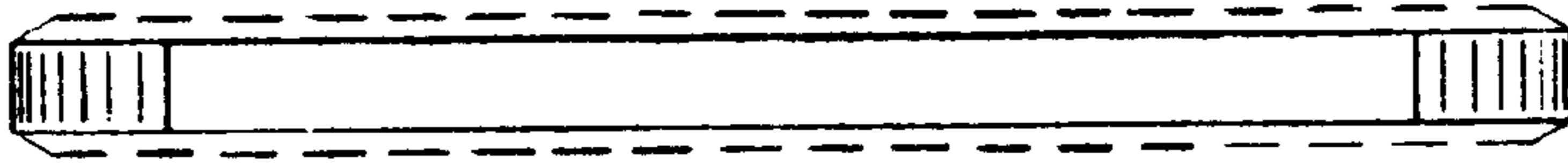


FIG. 2

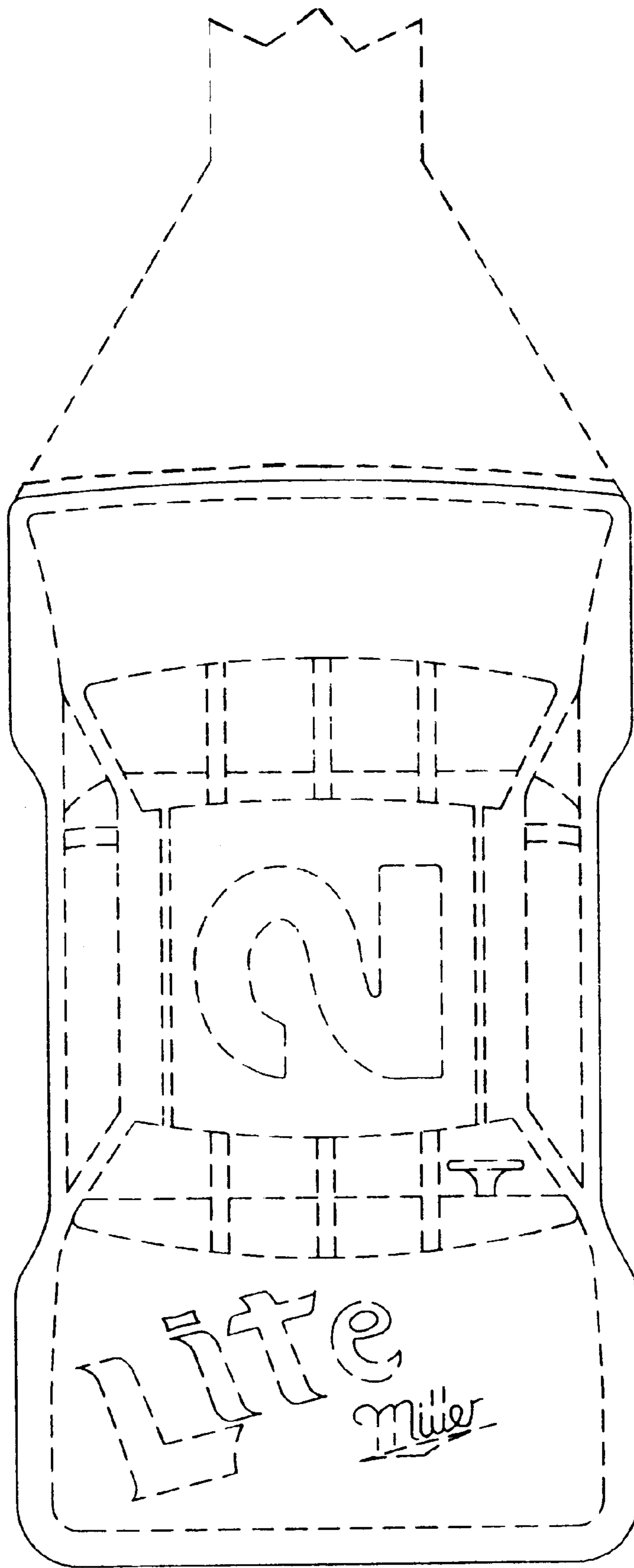


FIG. 3

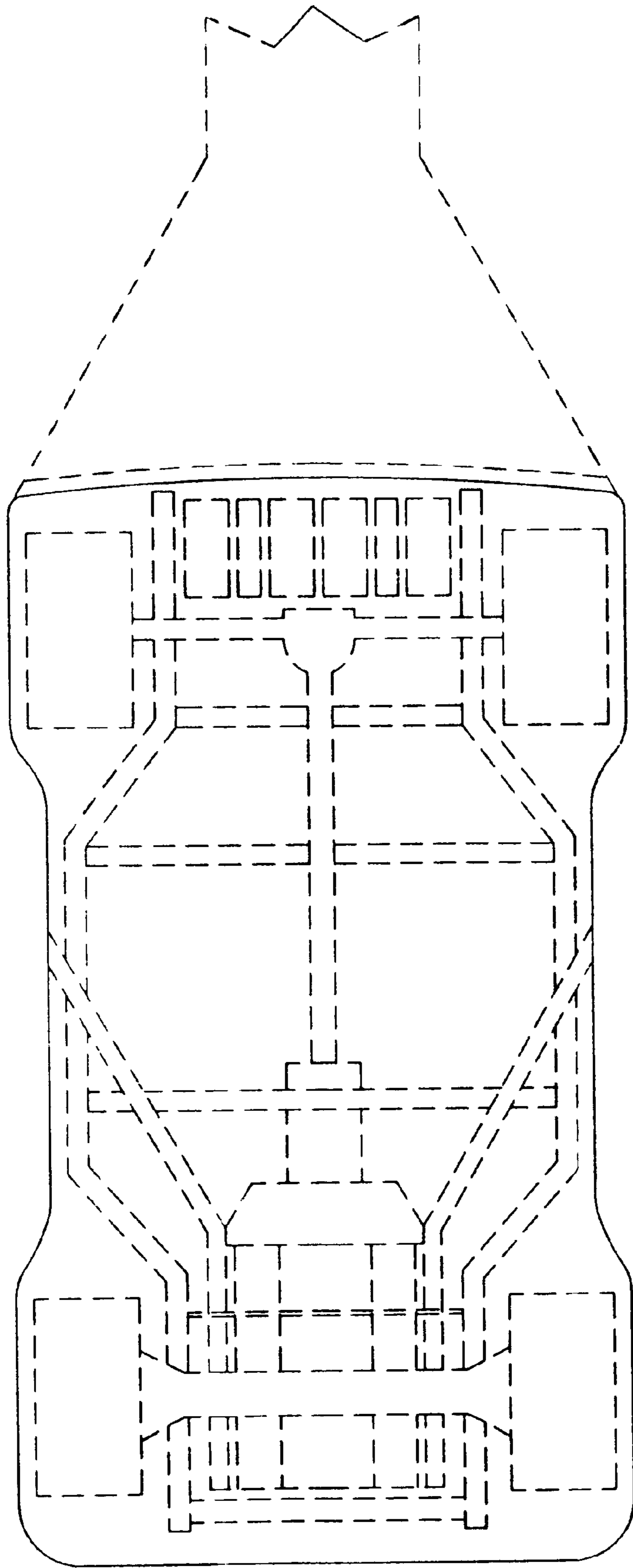


FIG. 4



FIG. 6



FIG. 7