



US00D430259S

United States Patent [19]
Jan

[11] **Patent Number: Des. 430,259**

[45] **Date of Patent: ** Aug. 29, 2000**

[54] **ULTRASONIC PEST REPELLER**

Attorney, Agent, or Firm—W. Wayne Liauh

[76] Inventor: **Te-Chin Jan**, 24F-1, No.161, Sungteh Rd., Taipei, Taiwan

[57] **CLAIM**

[**] Term: **14 Years**

The ornamental design for a ultrasonic pest repeller, as shown and described.

[21] Appl. No.: **29/100,970**

DESCRIPTION

[22] Filed: **Feb. 19, 1999**

FIG. 1 is a perspective view of a “ultrasonic pest repeller” showing my design;

[51] **LOC (7) Cl.** **22-06**

FIG. 2 is a front elevational view thereof;

[52] **U.S. Cl.** **D22/120**

FIG. 3 is a rear elevational view thereof;

[58] **Field of Search** D22/120; 43/59;

FIG. 4 is a left side elevational view thereof;

367/139

FIG. 5 is a right side elevational view thereof;

[56] **References Cited**

FIG. 6 is a top plan view thereof;

U.S. PATENT DOCUMENTS

FIG. 7 is a bottom plan view thereof; and,

D. 238,171 12/1975 Banich D22/120

FIG. 8 is a perspective view of the “ultrasonic pest repeller”, showing the present design mounted on the wall.

5,214,619 5/1993 Yoshida 367/139

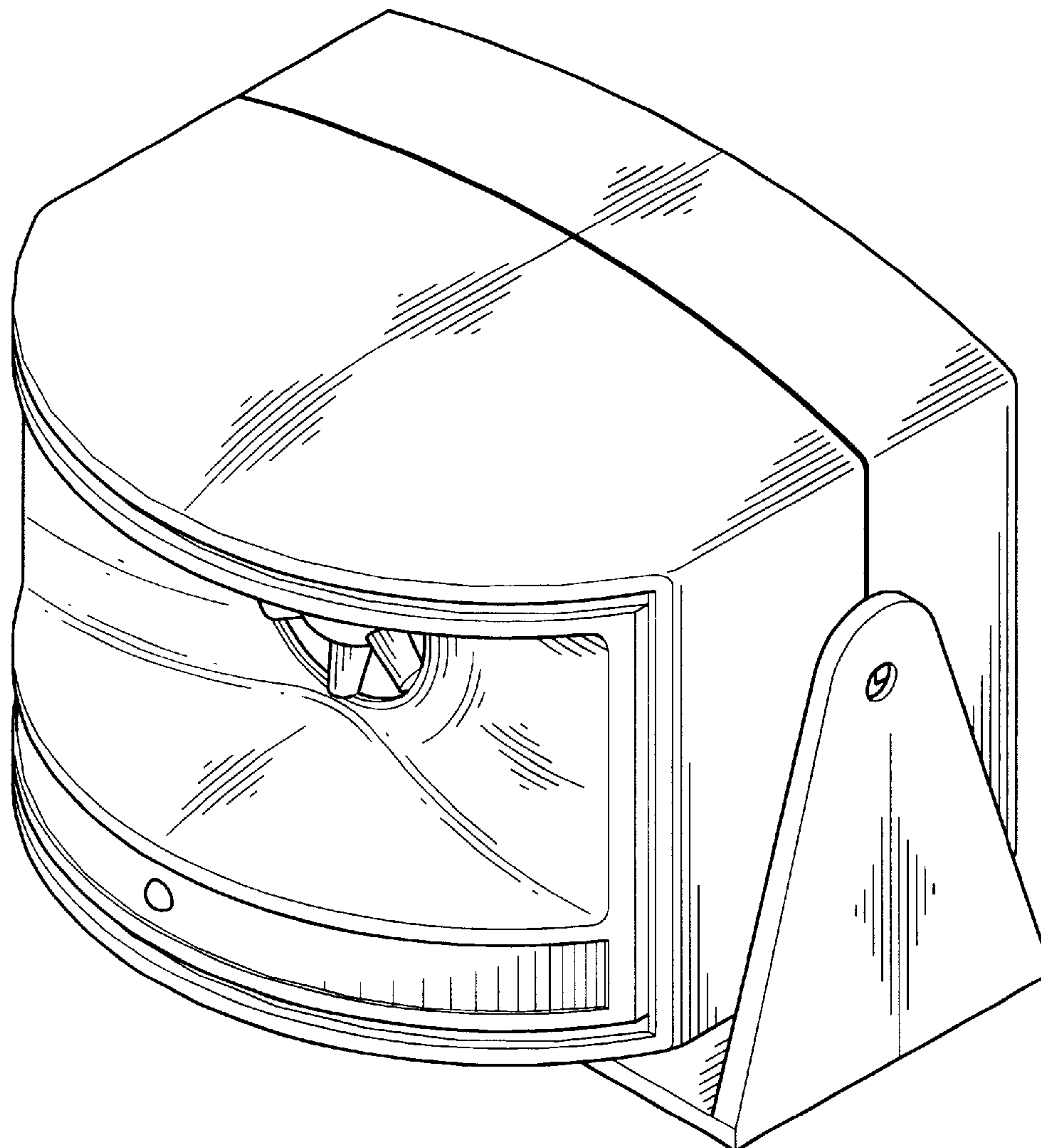
5,606,305 2/1997 Jan 367/139

5,850,371 12/1998 Jan 367/139

The broken line showing of a wall is for illustrative purposes only and forms no part of the claimed design.

Primary Examiner—Louis S. Zarfes
Assistant Examiner—Inga-Maria Hyttinen

1 Claim, 5 Drawing Sheets



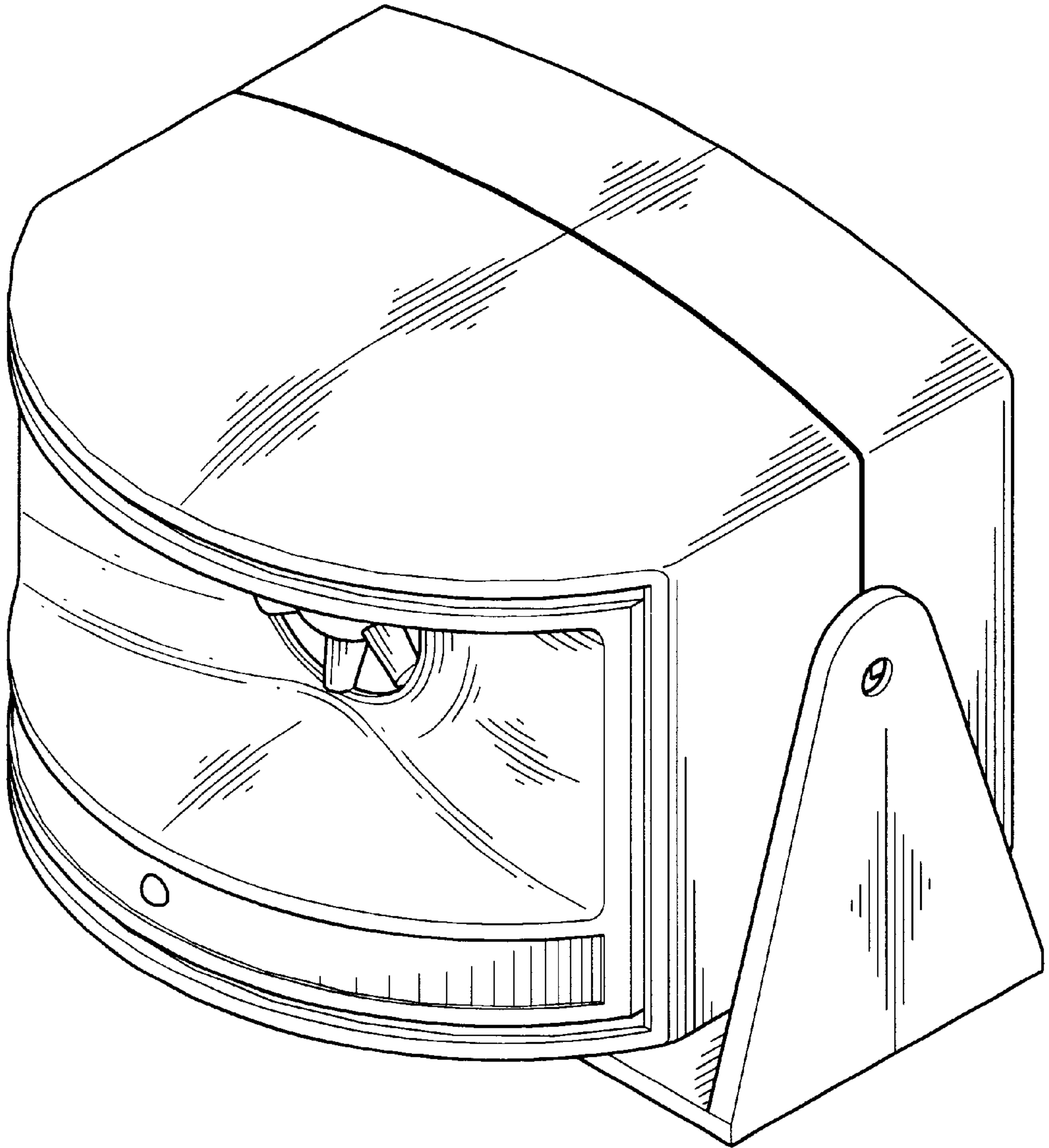


FIG. 1

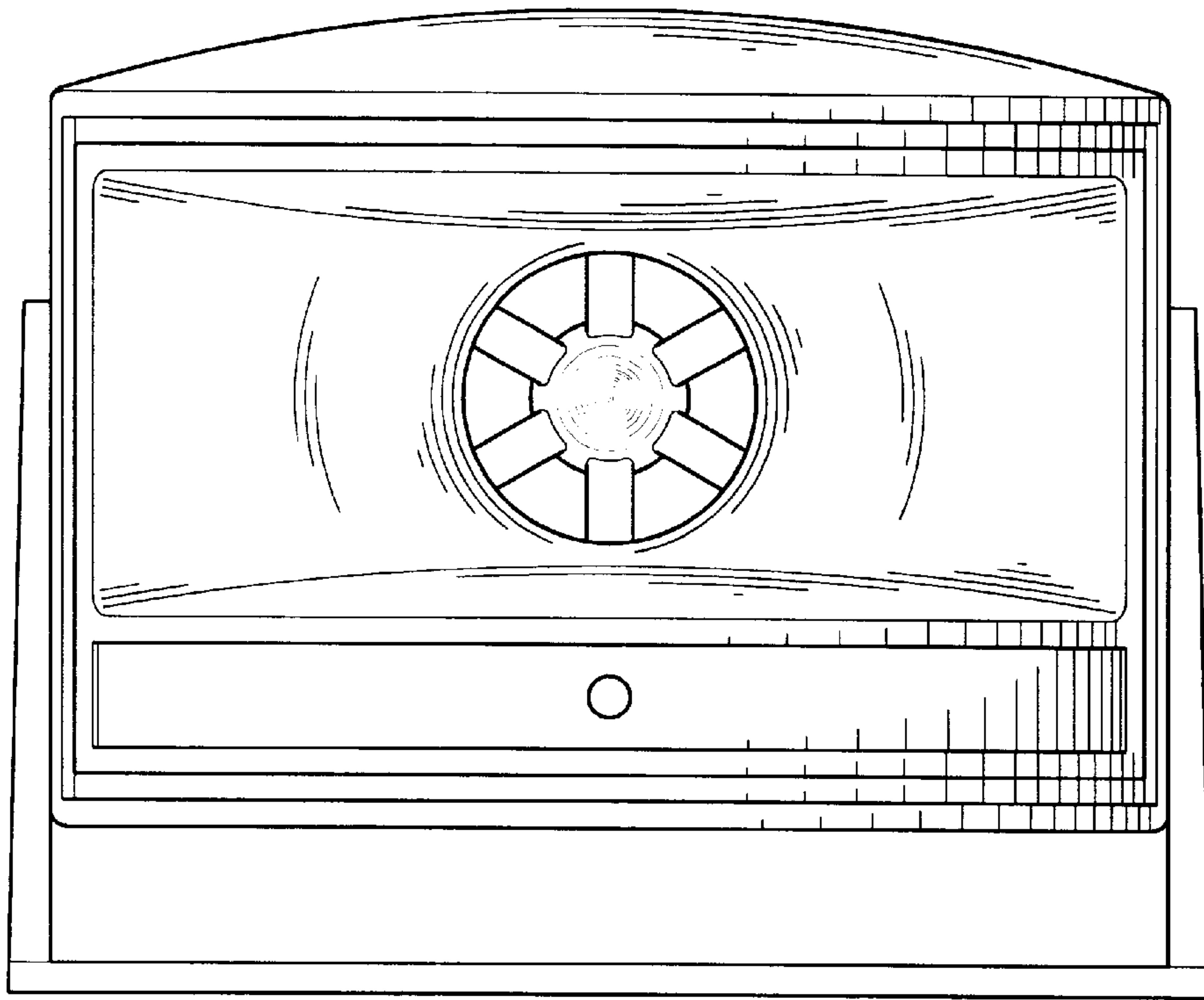


FIG. 2

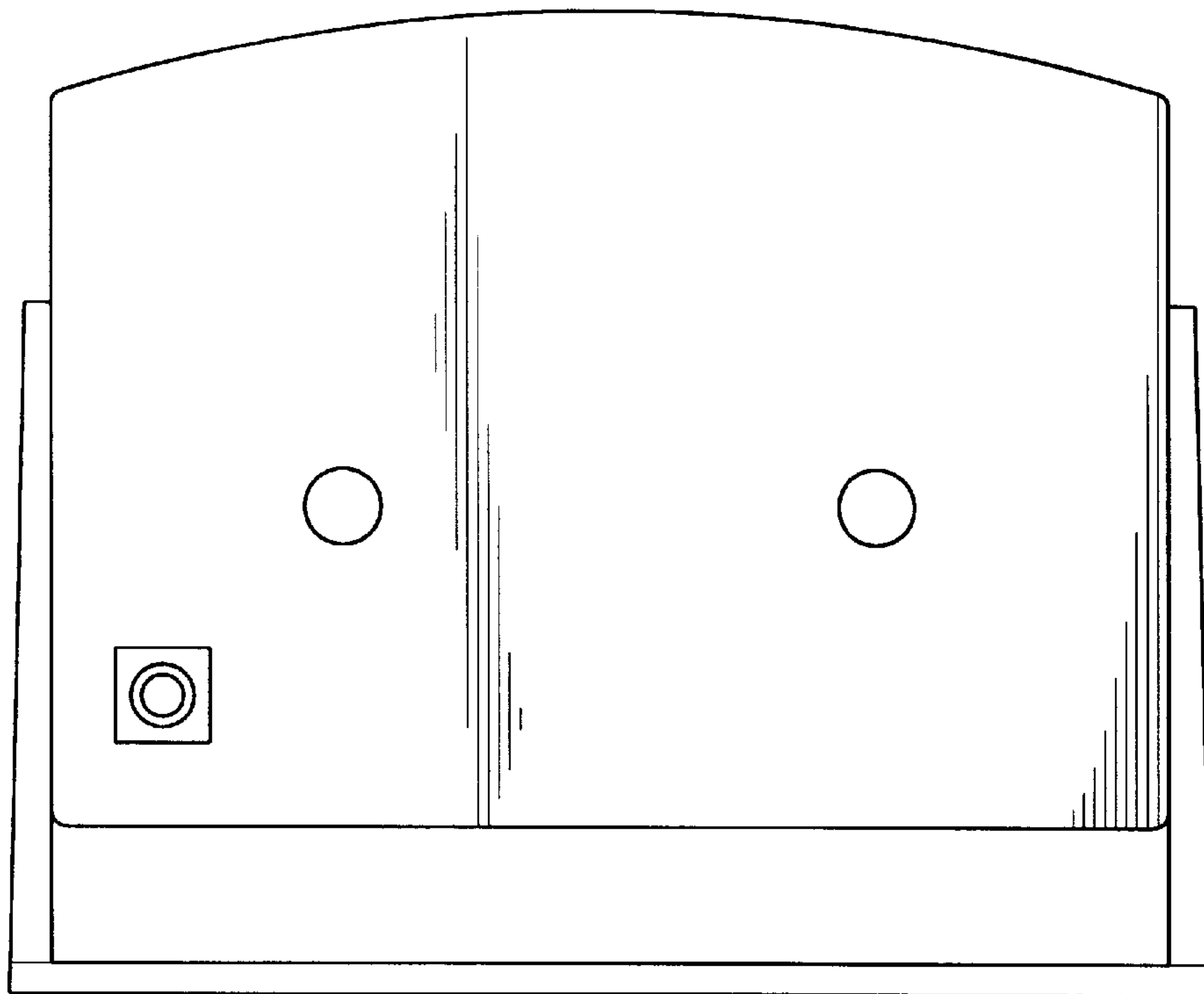


FIG. 3

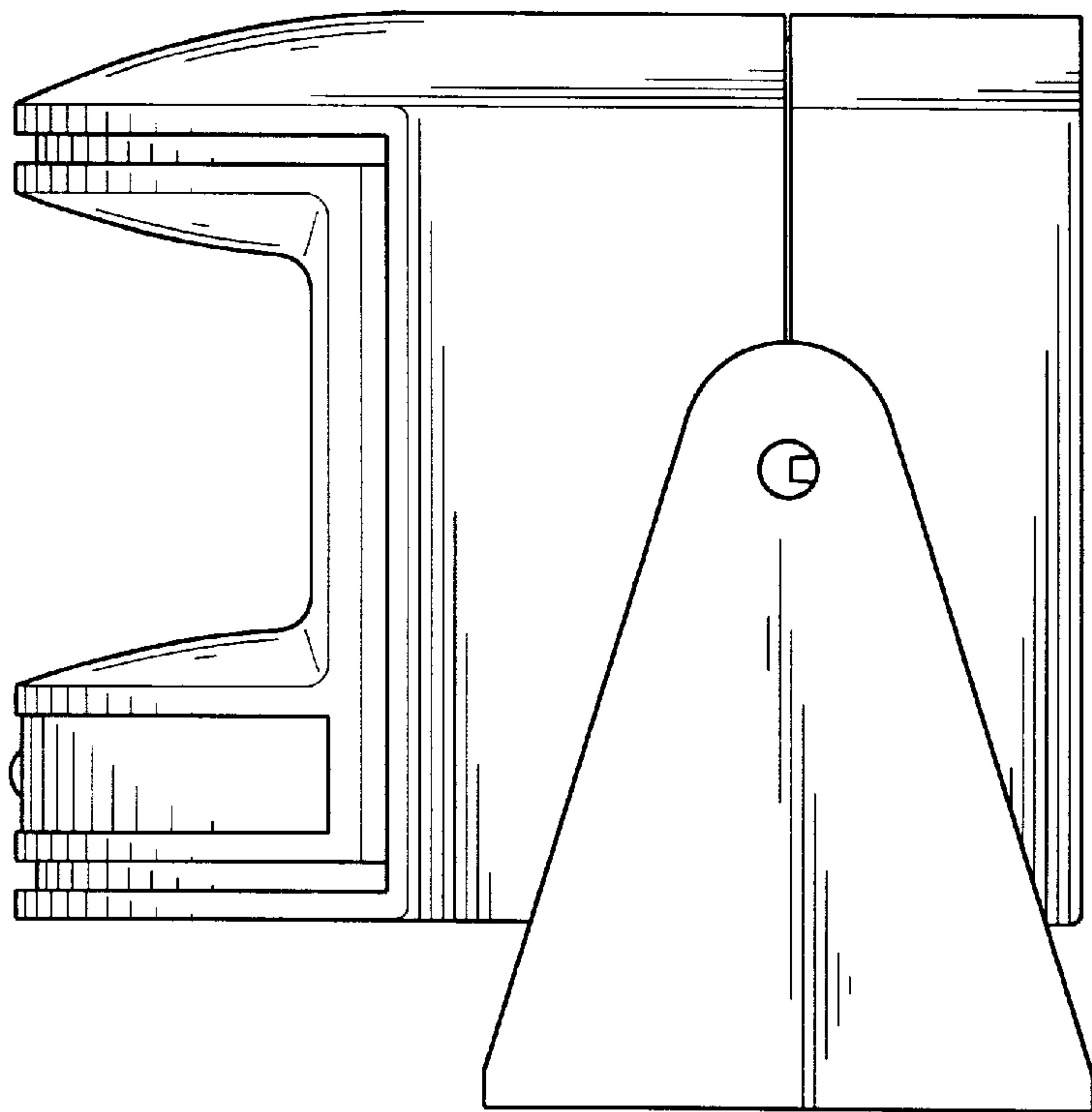


FIG. 4

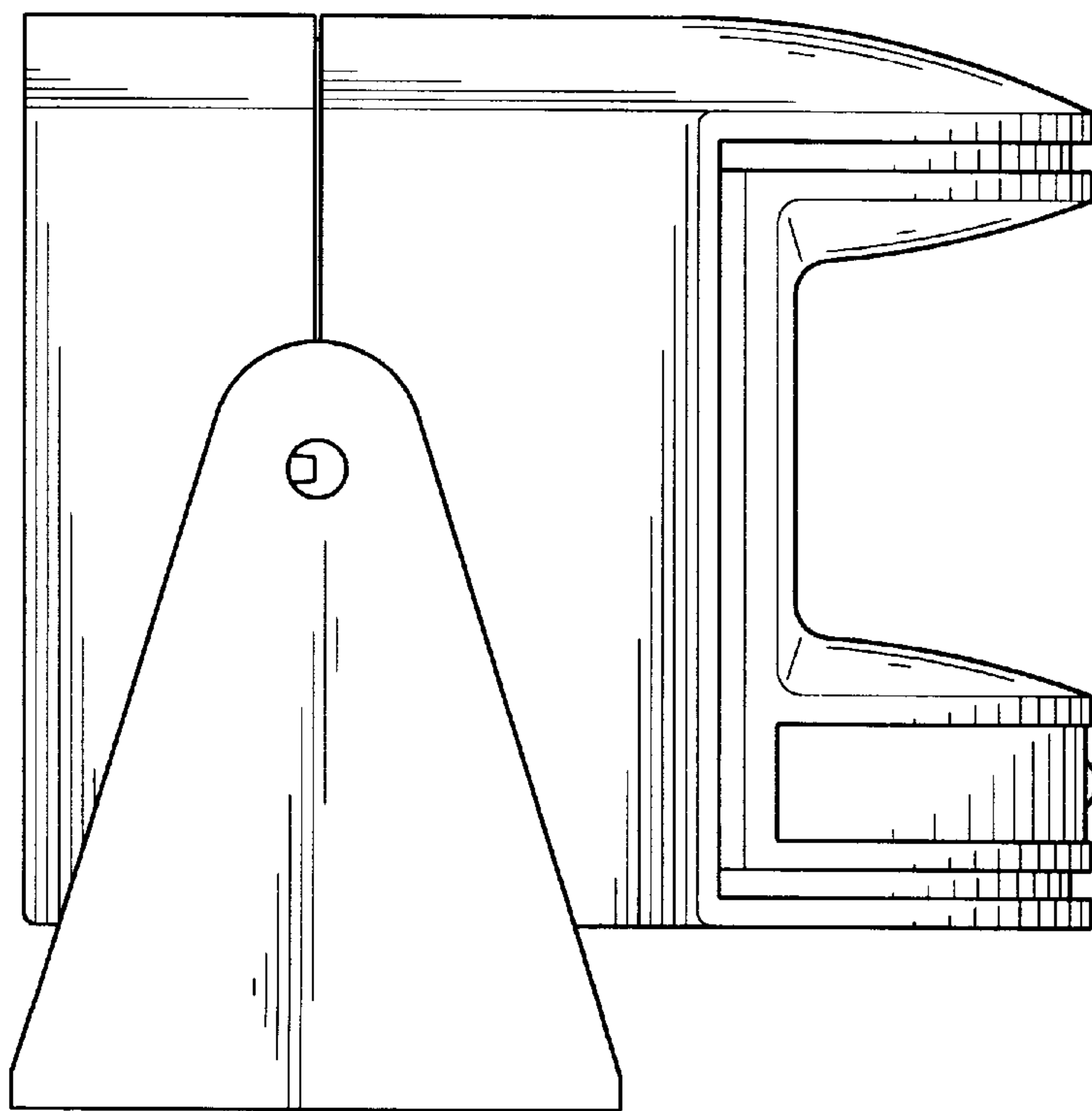


FIG. 5

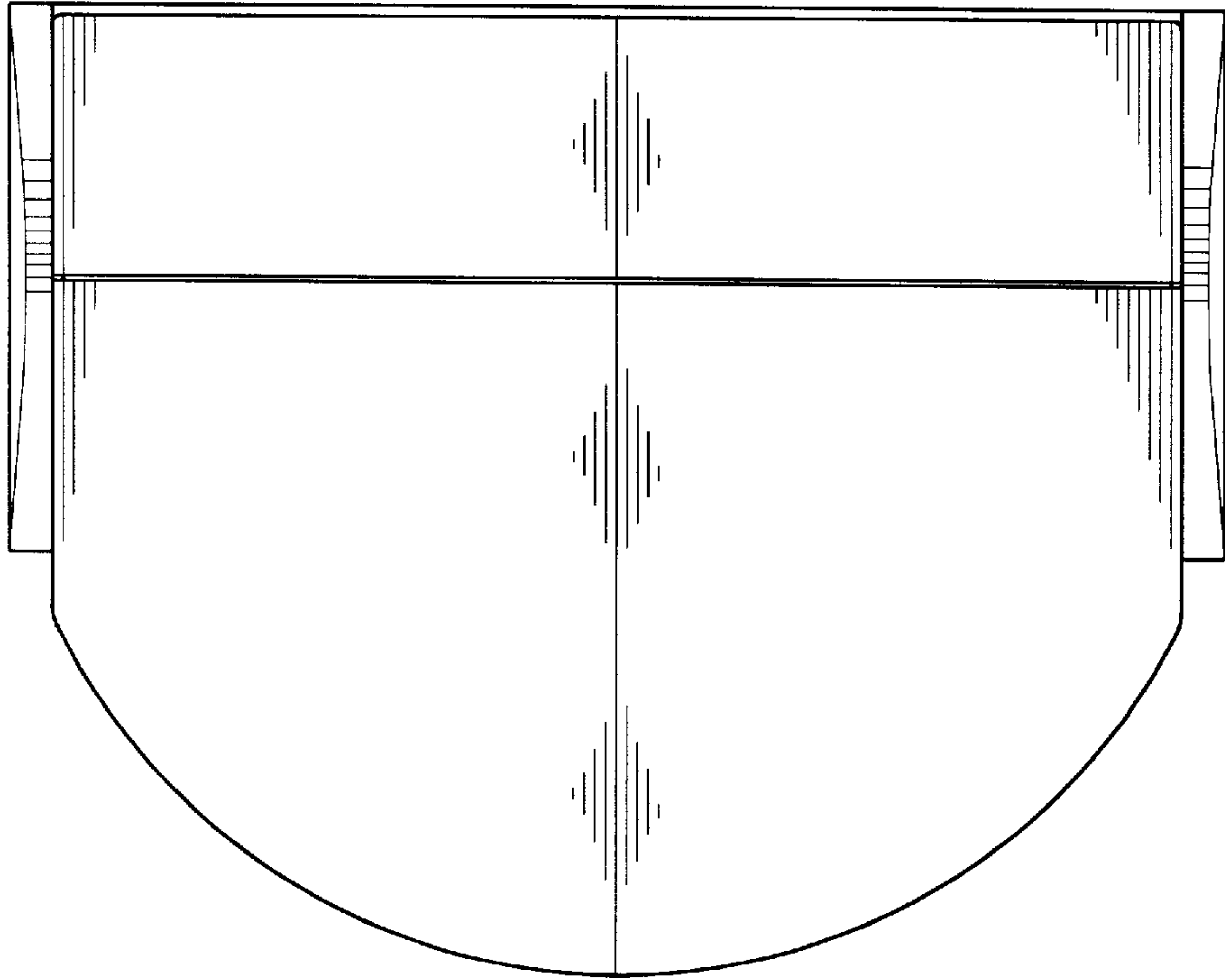


FIG. 6

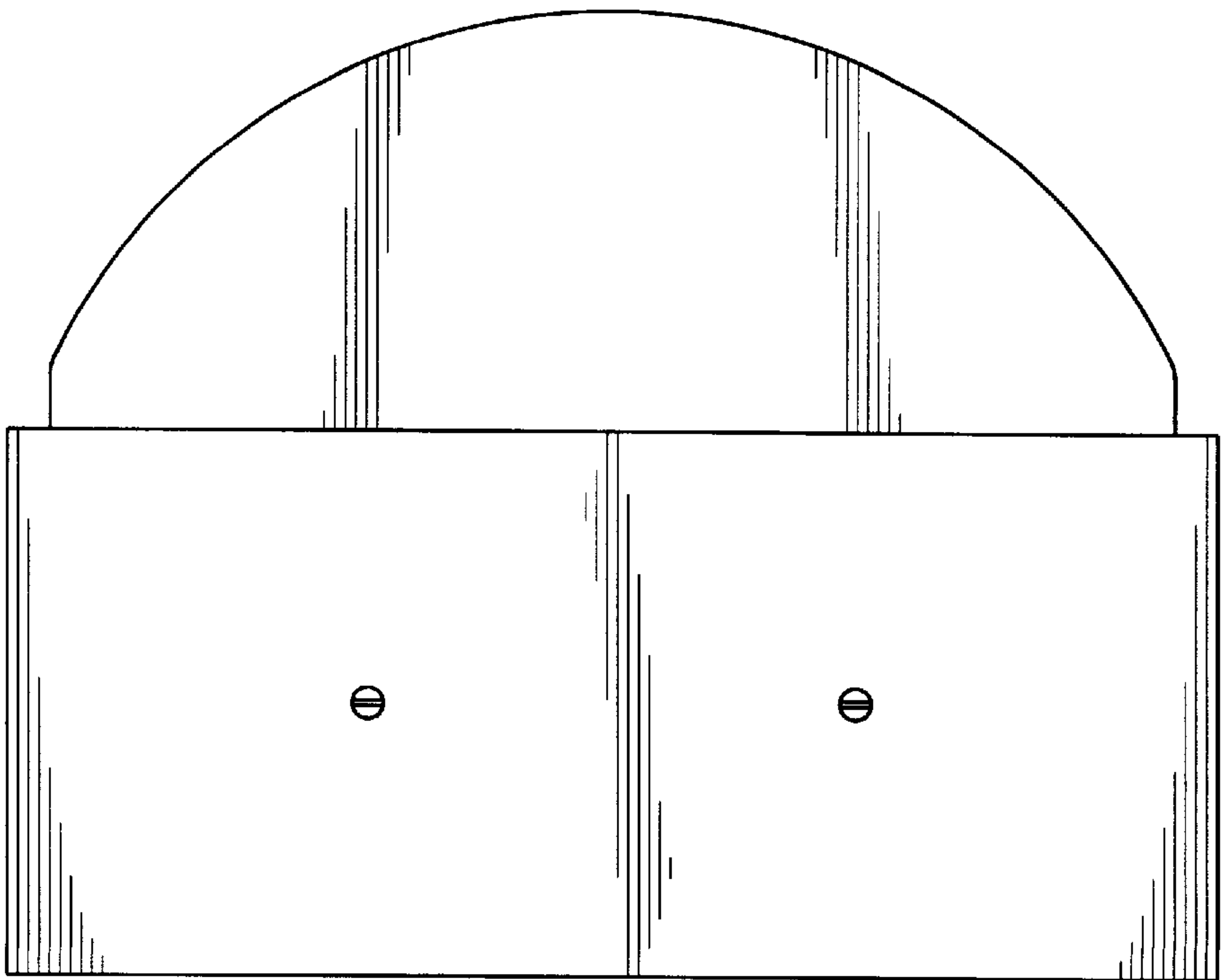


FIG. 7

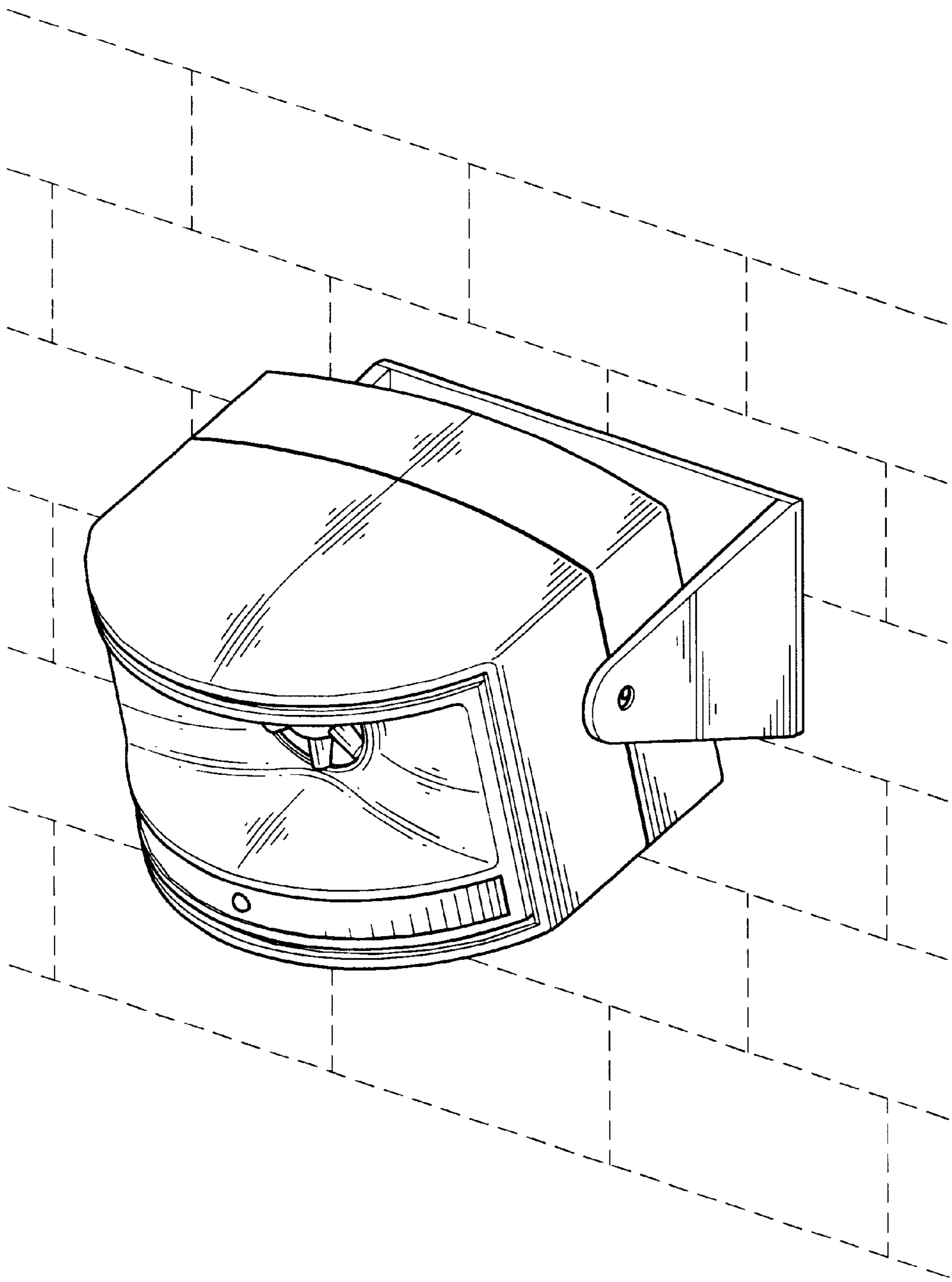


FIG. 8