



US00D430257S

United States Patent [19] Chang

[11] **Patent Number: Des. 430,257**

[45] **Date of Patent: ** Aug. 29, 2000**

[54] **MINI-CHAMBER**

[75] **Inventor: Chang Kun Chang, Chia-Yi Hsien, Taiwan**

[73] **Assignee: Kingman International Corporation, El Monte, Calif.**

[**] **Term: 14 Years**

[21] **Appl. No.: 29/103,949**

[22] **Filed: Apr. 23, 1999**

[51] **LOC (7) Cl. 22-01**

[52] **U.S. Cl. D22/108; D22/100; D22/108; D22/199**

[58] **Field of Search D22/100, 108, D22/199; 124/73, 74, 75, 76, 77**

[56] **References Cited**

U.S. PATENT DOCUMENTS

5,630,406 5/1997 Dumont 124/73 X
5,881,707 3/1999 Gardner, Jr. 124/77

5,950,611 9/1999 Lopez et al. 124/72
5,967,133 10/1999 Gardner, Jr. 124/77
6,003,504 12/1999 Rice et al. 124/73
6,035,843 3/2000 Smith et al. 124/77

Primary Examiner—Louis S. Zarfes
Assistant Examiner—Monica A. Weingart
Attorney, Agent, or Firm—Blakely Sokoloff Taylor & Zafman LLP

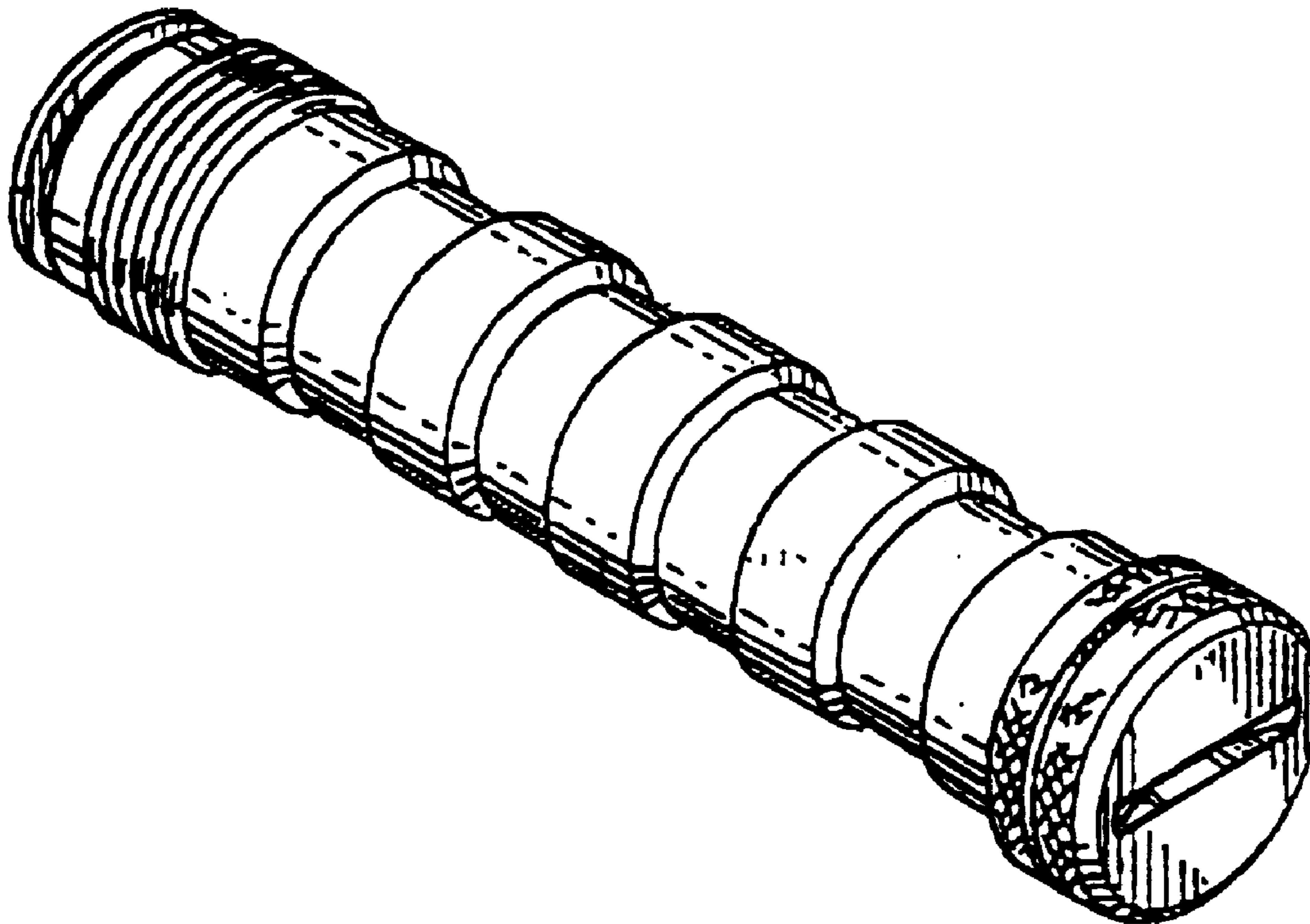
[57] **CLAIM**

The ornamental design for a mini-chamber, as shown and described.

DESCRIPTION

FIG. 1 is a side view of the mini-chamber of one embodiment of the invention and the dotted lines are for environmental purpose only and form no part of the claimed design. FIG. 2 is a perspective view of the mini-chamber of FIG. 1. FIG. 3 is a first end view of the mini-chamber of FIG. 1; and, FIG. 4 is an opposing end view of the mini-chamber of FIG. 1.

1 Claim, 1 Drawing Sheet



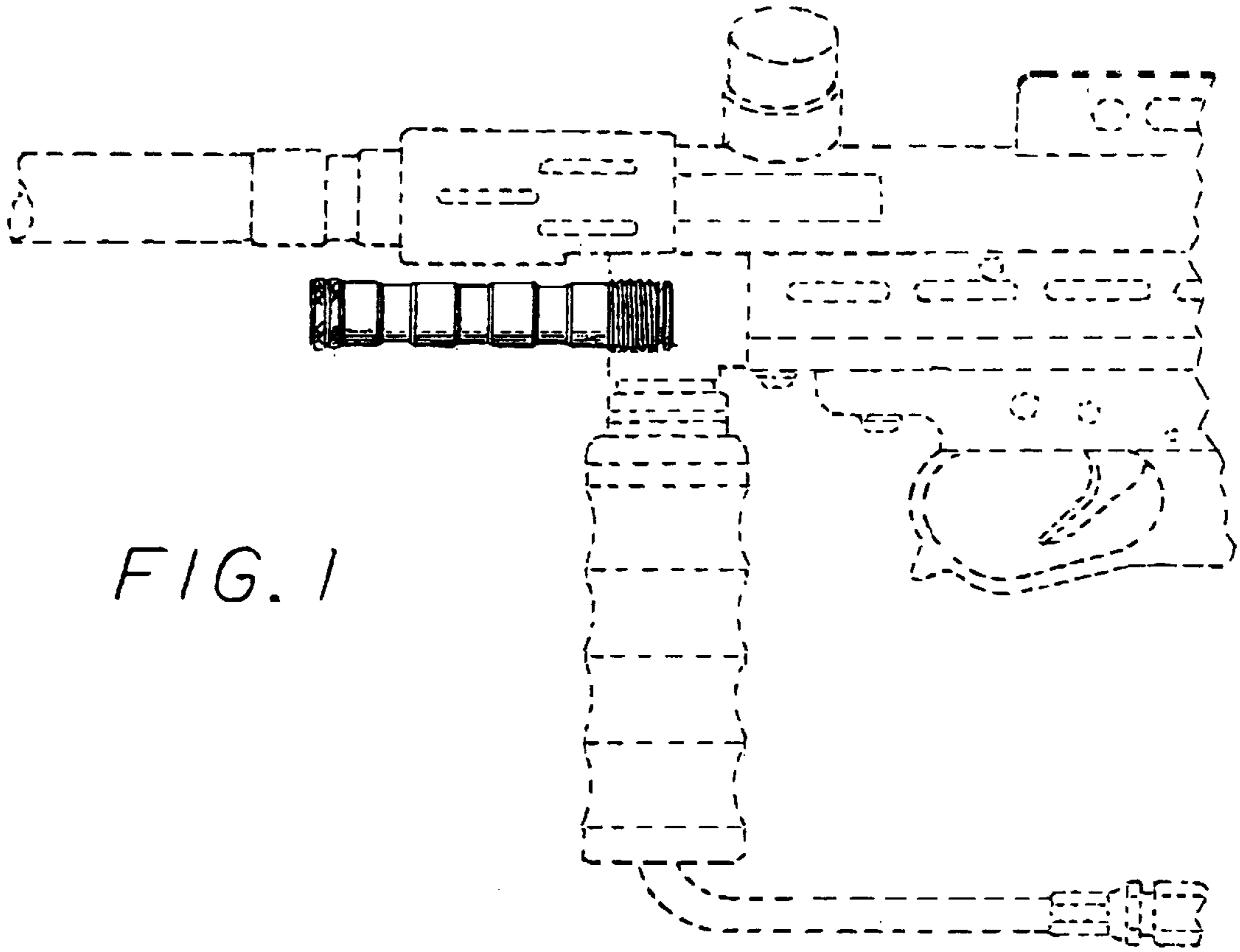


FIG. 1

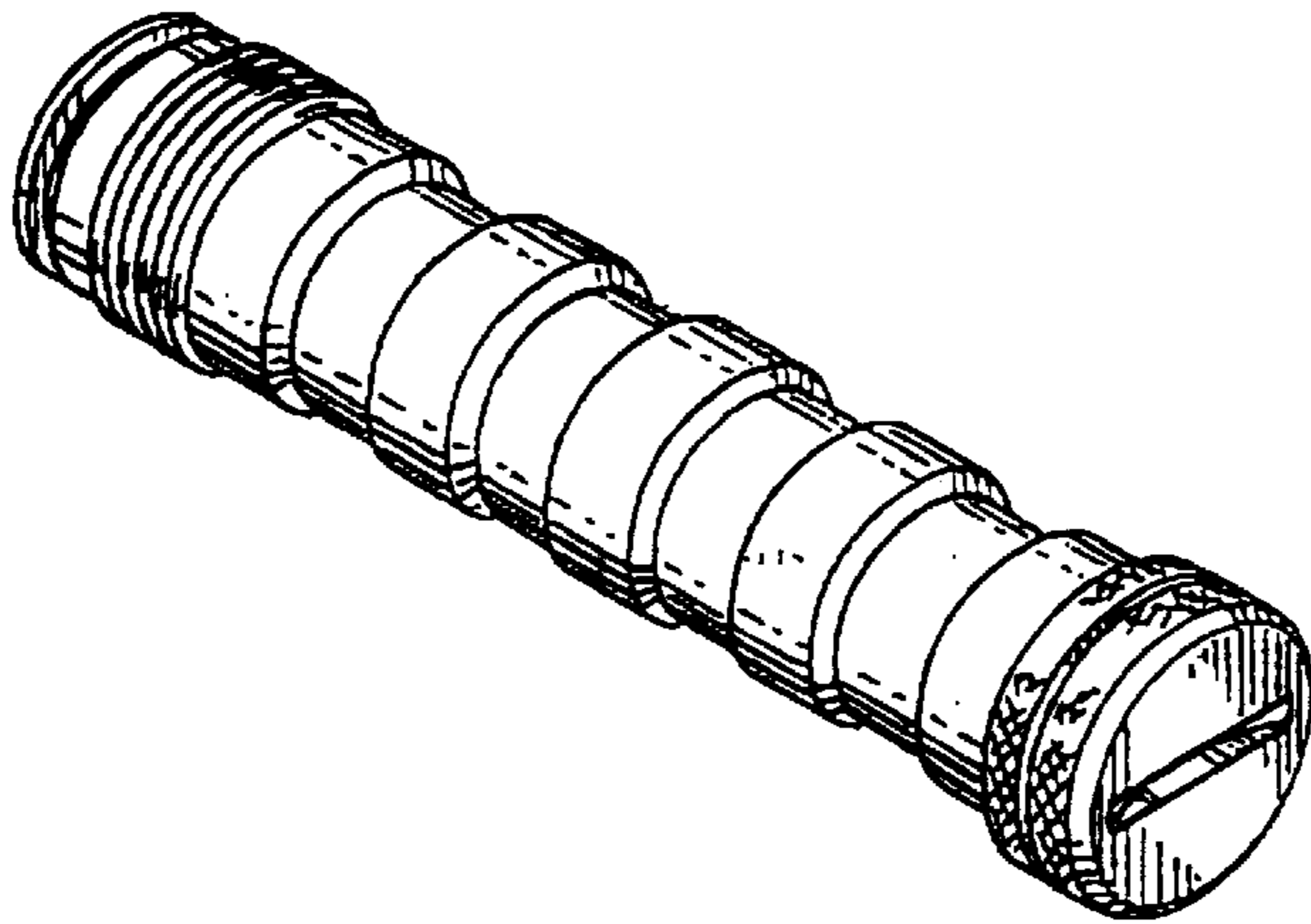


FIG. 2



FIG. 3

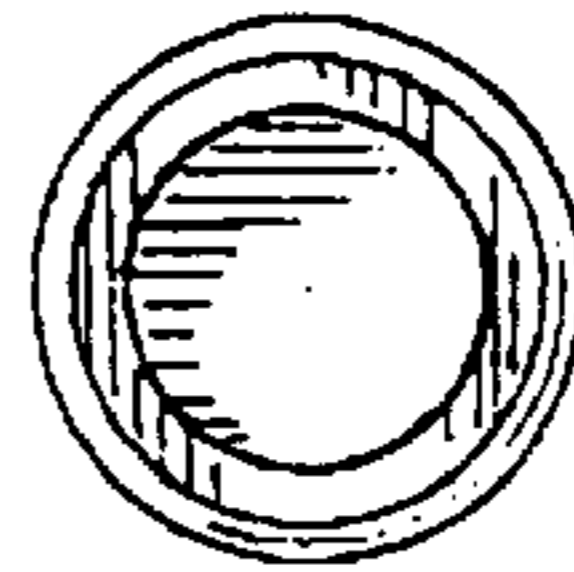


FIG. 4