



US00D430253S

United States Patent [19]

Shea et al.

[11] **Patent Number: Des. 430,253**

[45] **Date of Patent: ** Aug. 29, 2000**

[54] **GOLF CLUB CADDY**

[75] Inventors: **Jeremiah Shea; Paula B. Shea**, both of Blythewood, S.C.

[73] Assignee: **Jeremiah F. Shea**, Blythewood, S.C.

[**] Term: **14 Years**

[21] Appl. No.: **29/116,671**

[22] Filed: **Jan. 10, 2000**

[51] **LOC (7) Cl.** **21-02**

[52] **U.S. Cl.** **D21/796**

[58] **Field of Search** D21/796, 789; 473/282, 287

[56] **References Cited**

U.S. PATENT DOCUMENTS

D. 318,090 7/1991 Bahns D21/796

D. 360,248 7/1995 Wright D21/796
D. 407,774 4/1999 Weiss D21/796

Primary Examiner—Mitchell Siegel

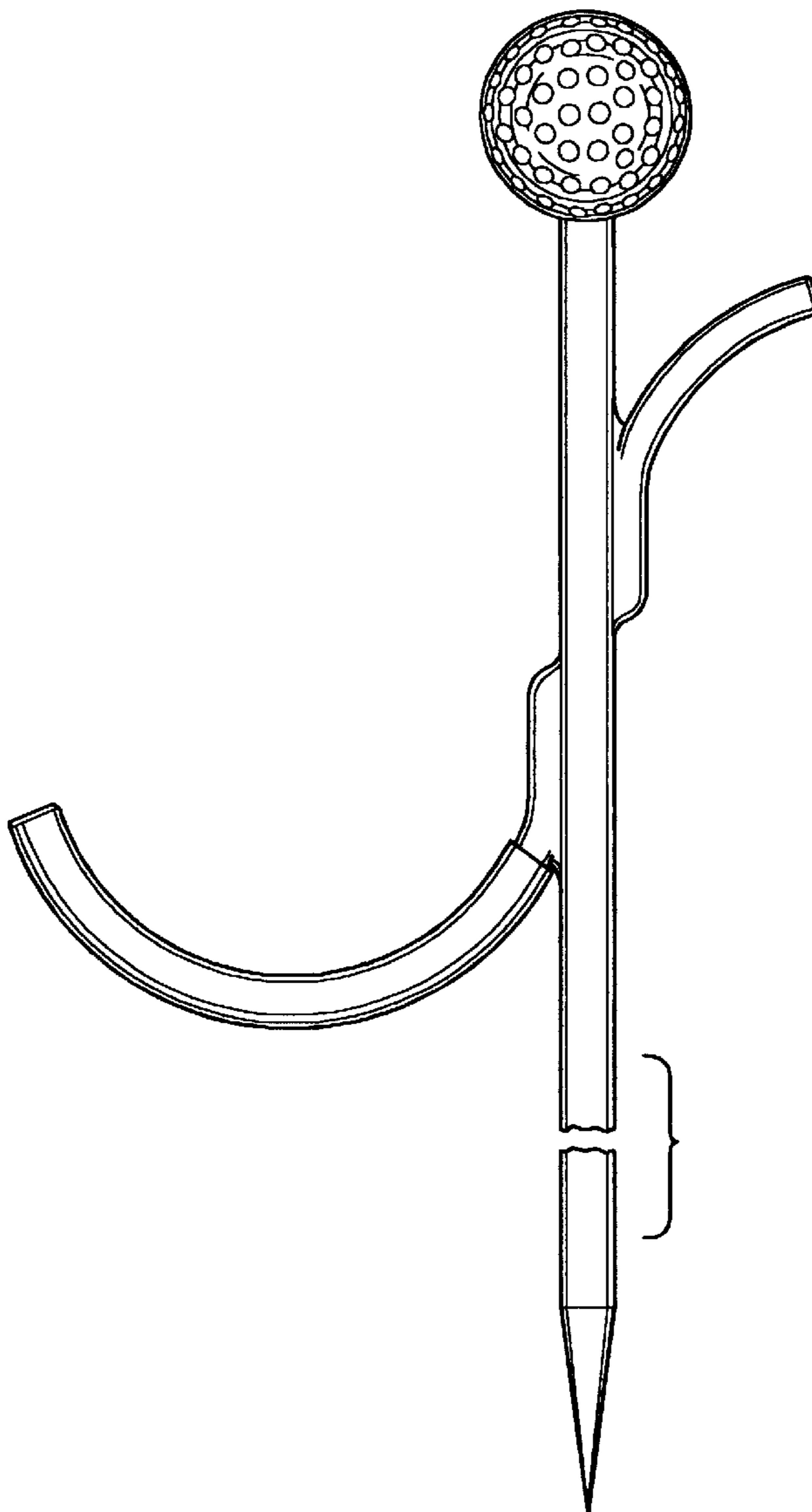
[57] **CLAIM**

The ornamental design for a golf club caddy, substantially as shown and described.

DESCRIPTION

FIG. 1 is a front view illustrating a golf club caddy showing my new design;
FIG. 2 is a direct top view thereof;
FIG. 3 is a direct bottom view thereof;
FIG. 4 is a left side view thereof; and,
FIG. 5 is a right side view thereof.
The broken-away section on the drawings is do to the interminate length of the shaft.

1 Claim, 2 Drawing Sheets



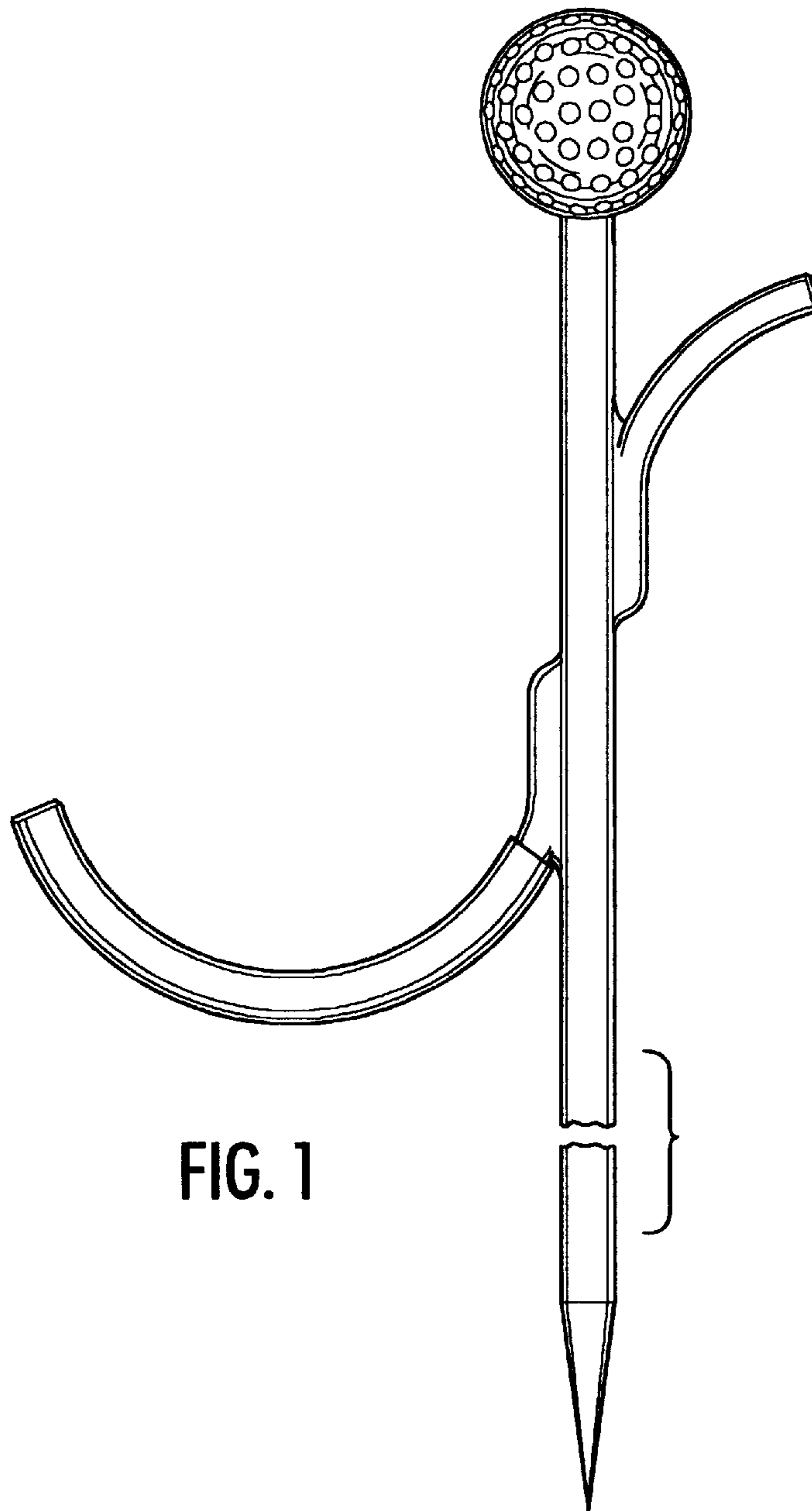


FIG. 1

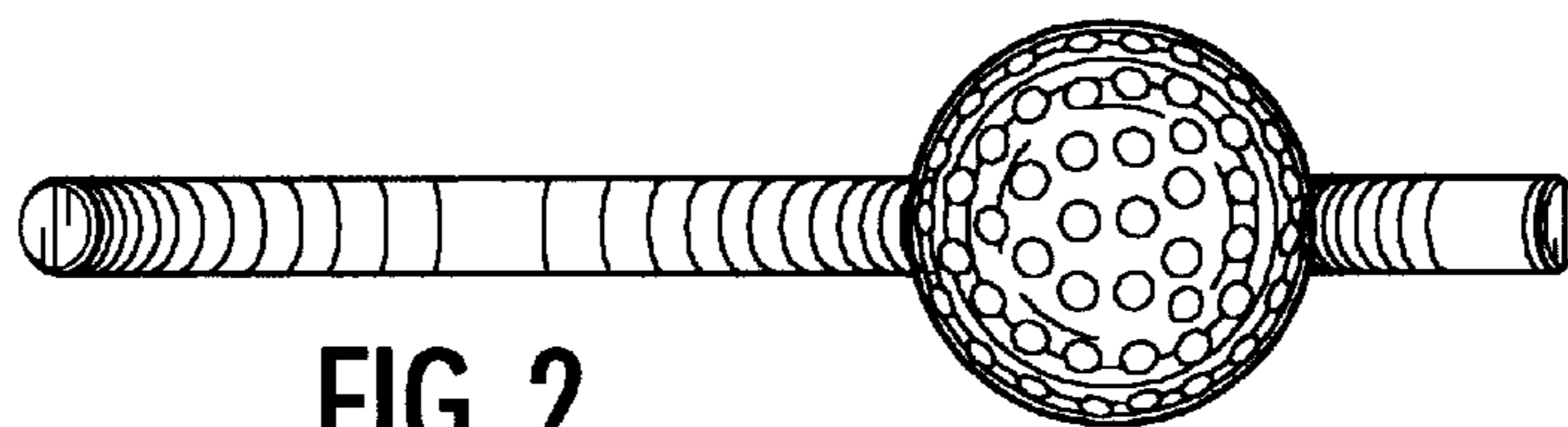


FIG. 2

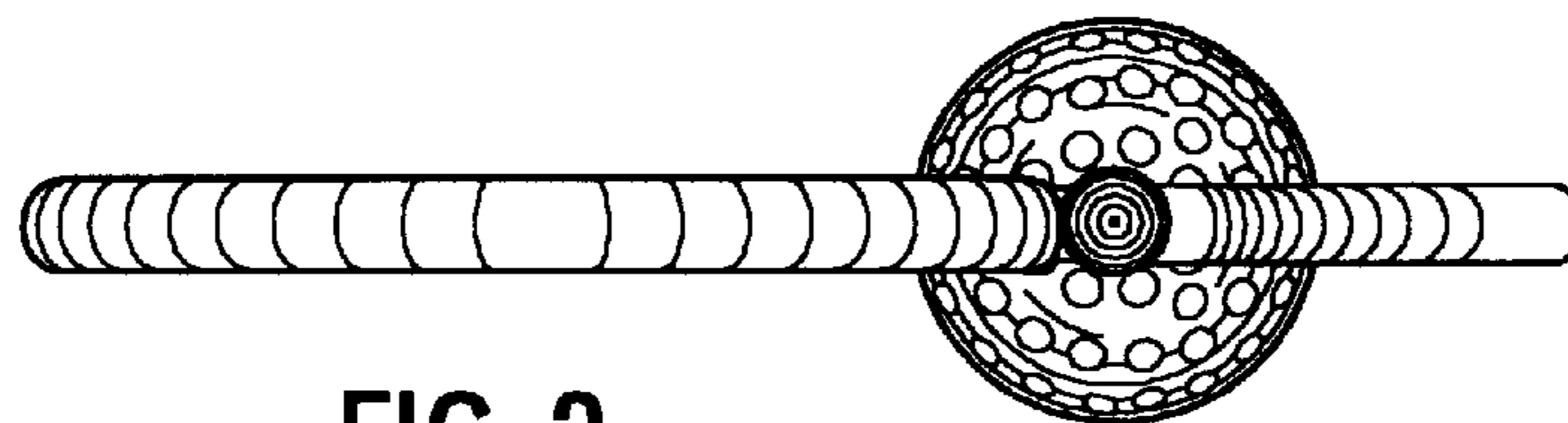


FIG. 3

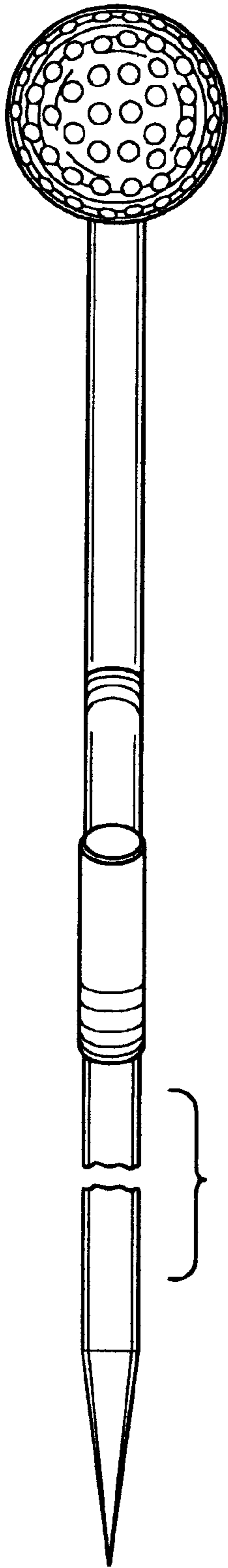


FIG. 4

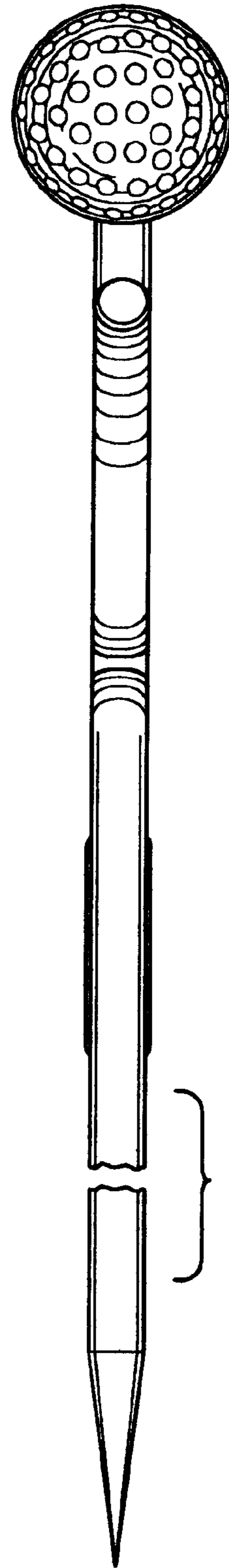


FIG. 5