

US00D430243S

United States Patent [19]

Alberti et al.

[11] Patent Number: **Des. 430,243**

[45] Date of Patent: **** Aug. 29, 2000**

[54] FLEXIBLY POSITIONED BATTING TEE

5,967,910 10/1999 Lin 473/417

[75] Inventors: **Michael A. Alberti**, Endicott, N.Y.;
Gregg A. Wicken, Alexandria, Va.

Primary Examiner—Richelle Shelton
Attorney, Agent, or Firm—Taylor & Aust, P.C.

[73] Assignee: **Impact Sports, Inc.**, Johnson City, N.Y.

[57] **CLAIM**

[**] Term: **14 Years**

The ornamental design for a flexibly positioned batting tee, as shown and described.

[21] Appl. No.: **29/107,606**

DESCRIPTION

[22] Filed: **Jul. 8, 1999**

FIG. 1 is a perspective view of a flexibly positioned batting tee showing my new design, the ball support post including a lower vertical section attached to an upper flexible section, the flexible section including a plurality of adjustably positionable ball and socket joints within a flexible cover; FIG. 2 is a rear view thereof; FIG. 3 is a front view thereof; FIG. 4 is a side view thereof; FIG. 5 is a side view thereof; FIG. 6 is a top view thereof; and, FIG. 7 is a bottom view thereof.

[51] **LOC (7) Cl.** **21-02**

[52] **U.S. Cl.** **D21/715**

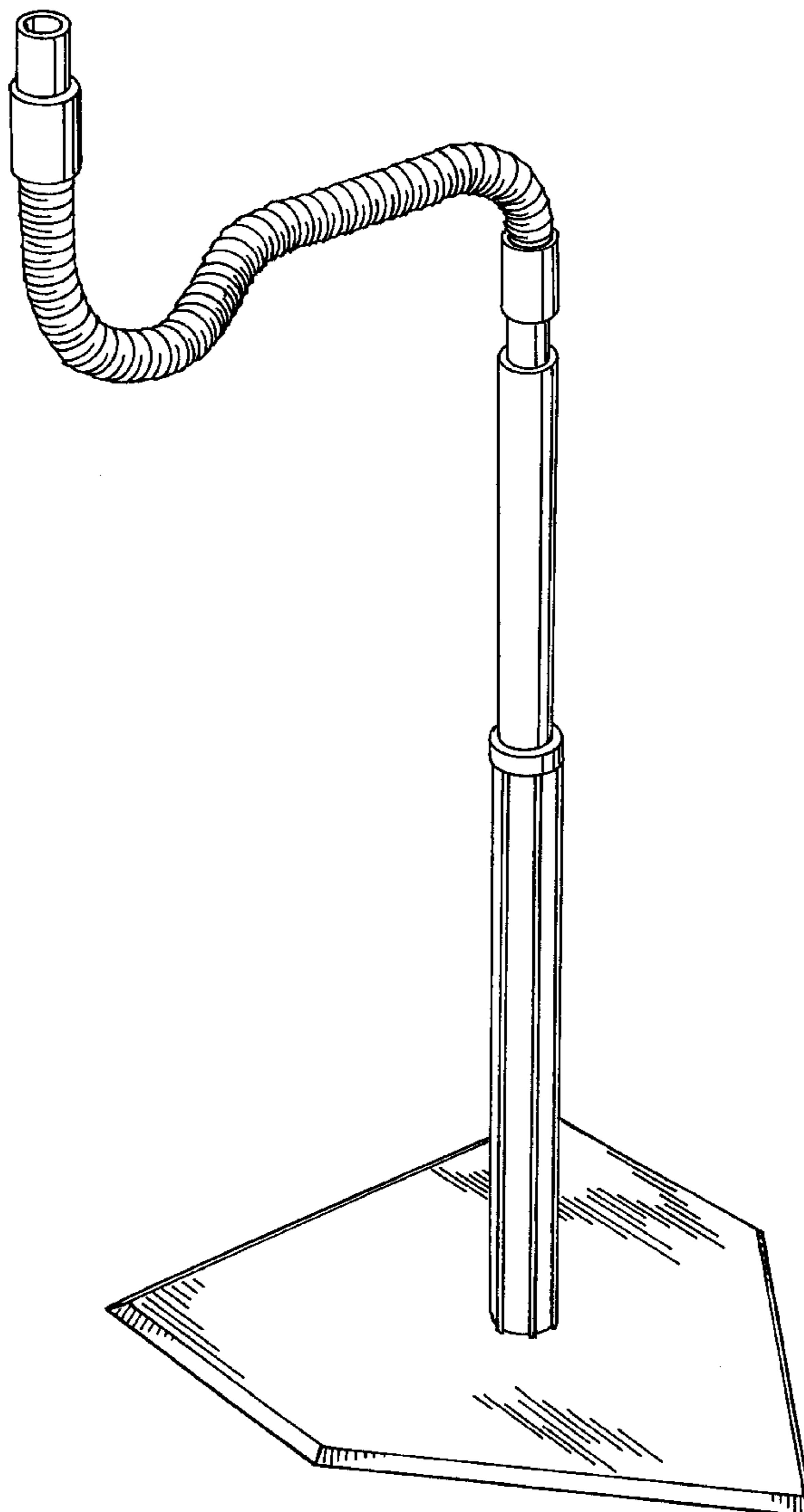
[58] **Field of Search** D21/715; 473/417,
473/422

[56] **References Cited**

U.S. PATENT DOCUMENTS

- D. 321,545 11/1991 Myers D21/715
- D. 401,987 12/1998 Amburgey et al. D21/715
- 5,772,536 6/1998 Wang 473/417

1 Claim, 6 Drawing Sheets



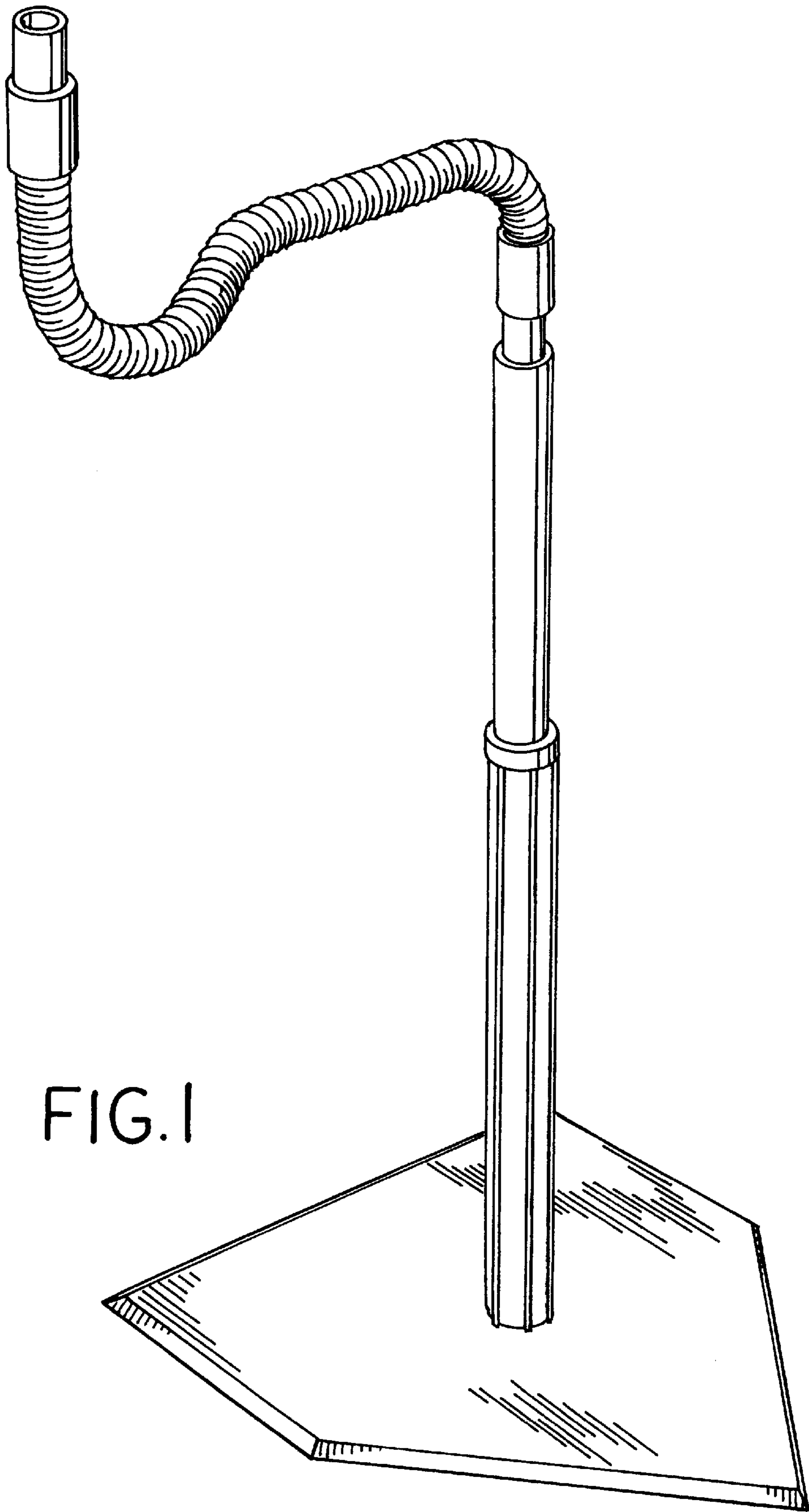


FIG. 1

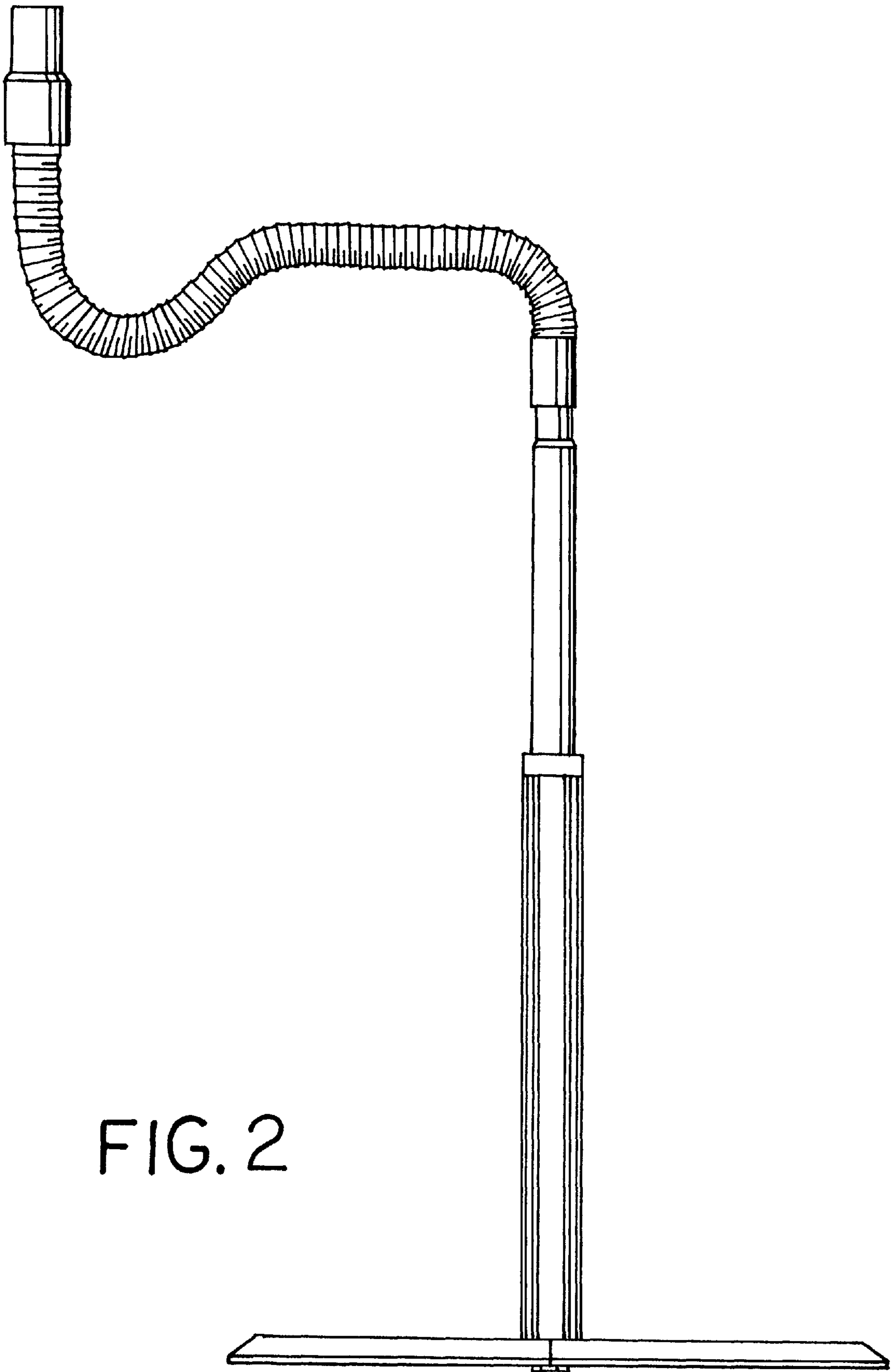


FIG. 2

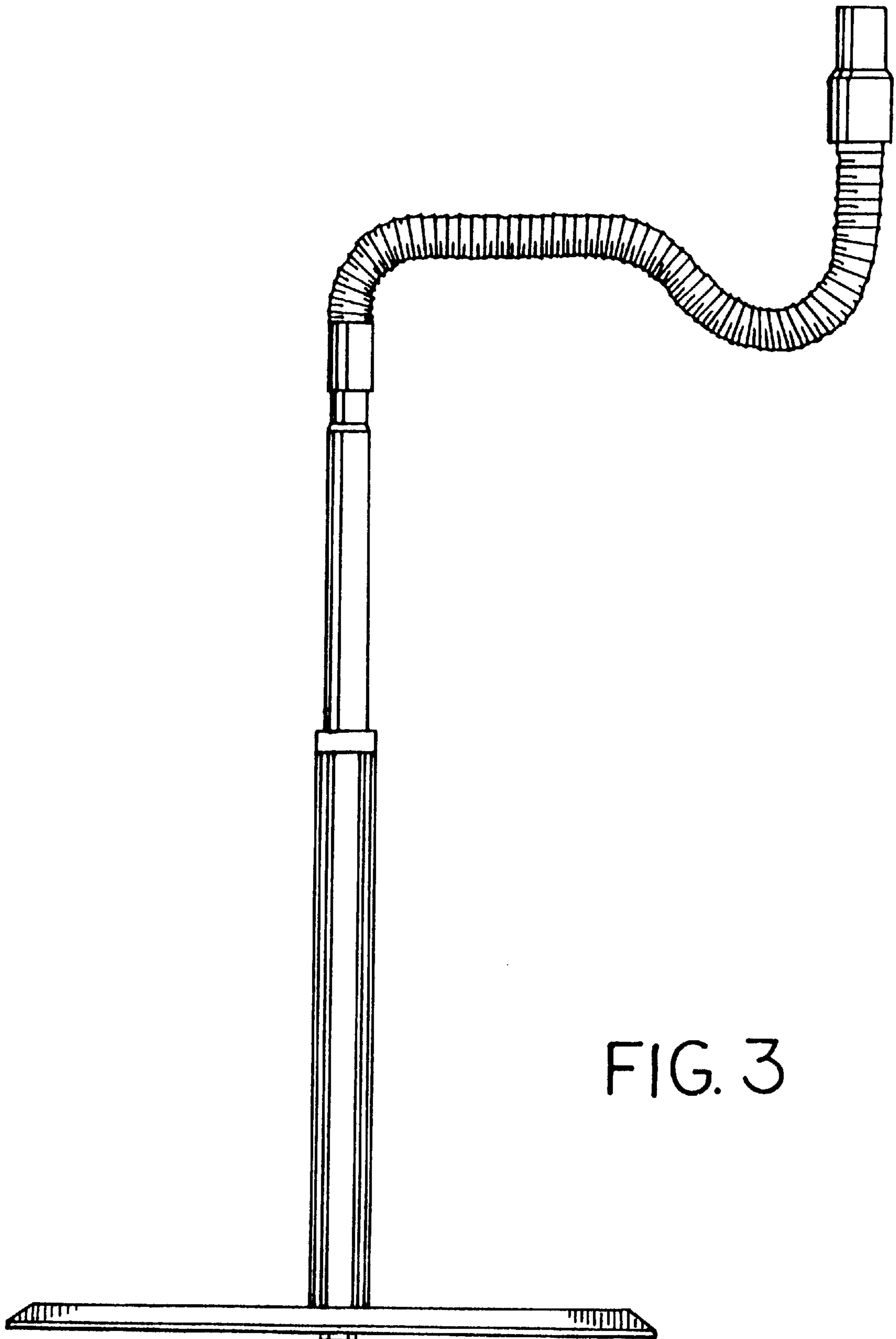


FIG. 3

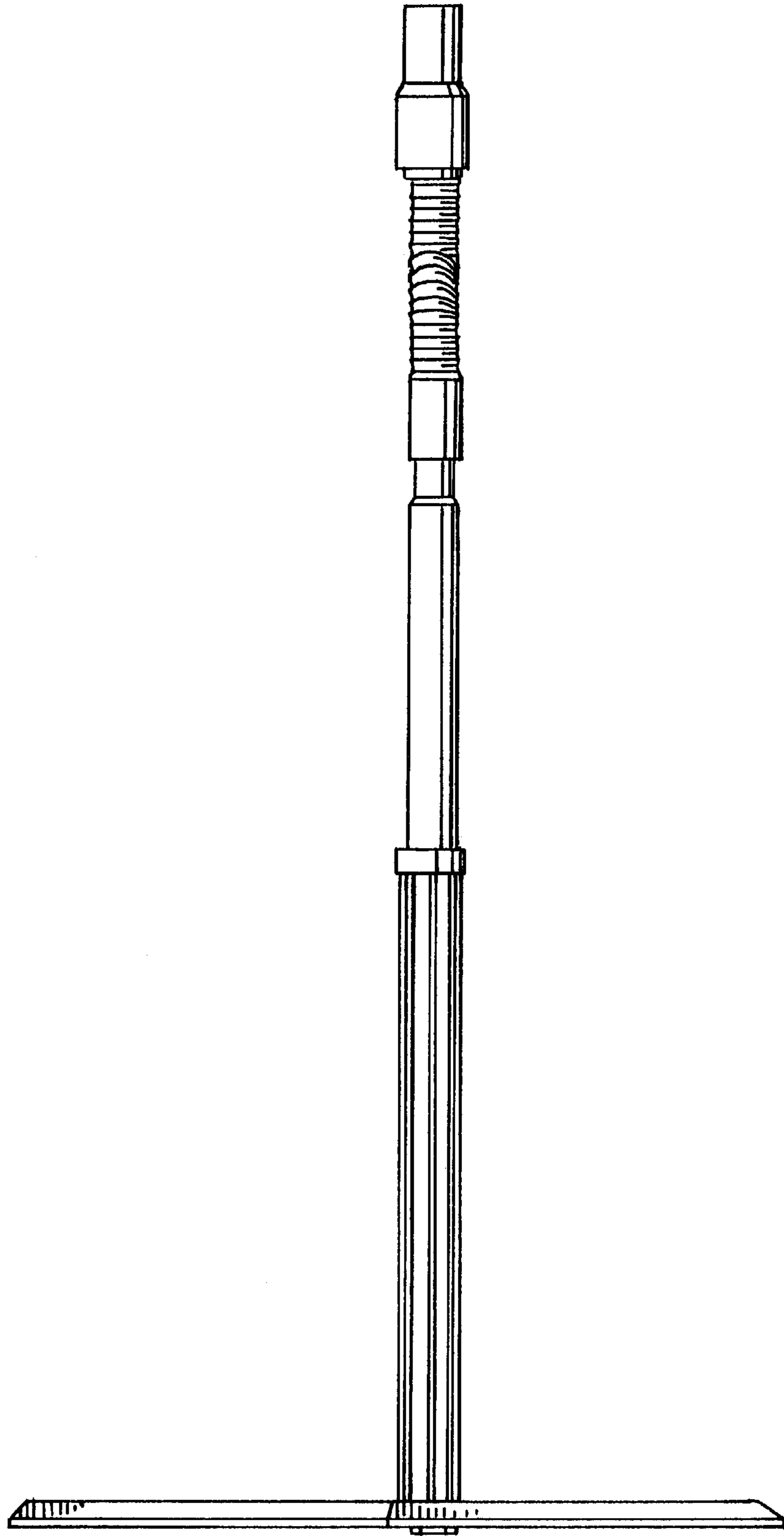


FIG. 4

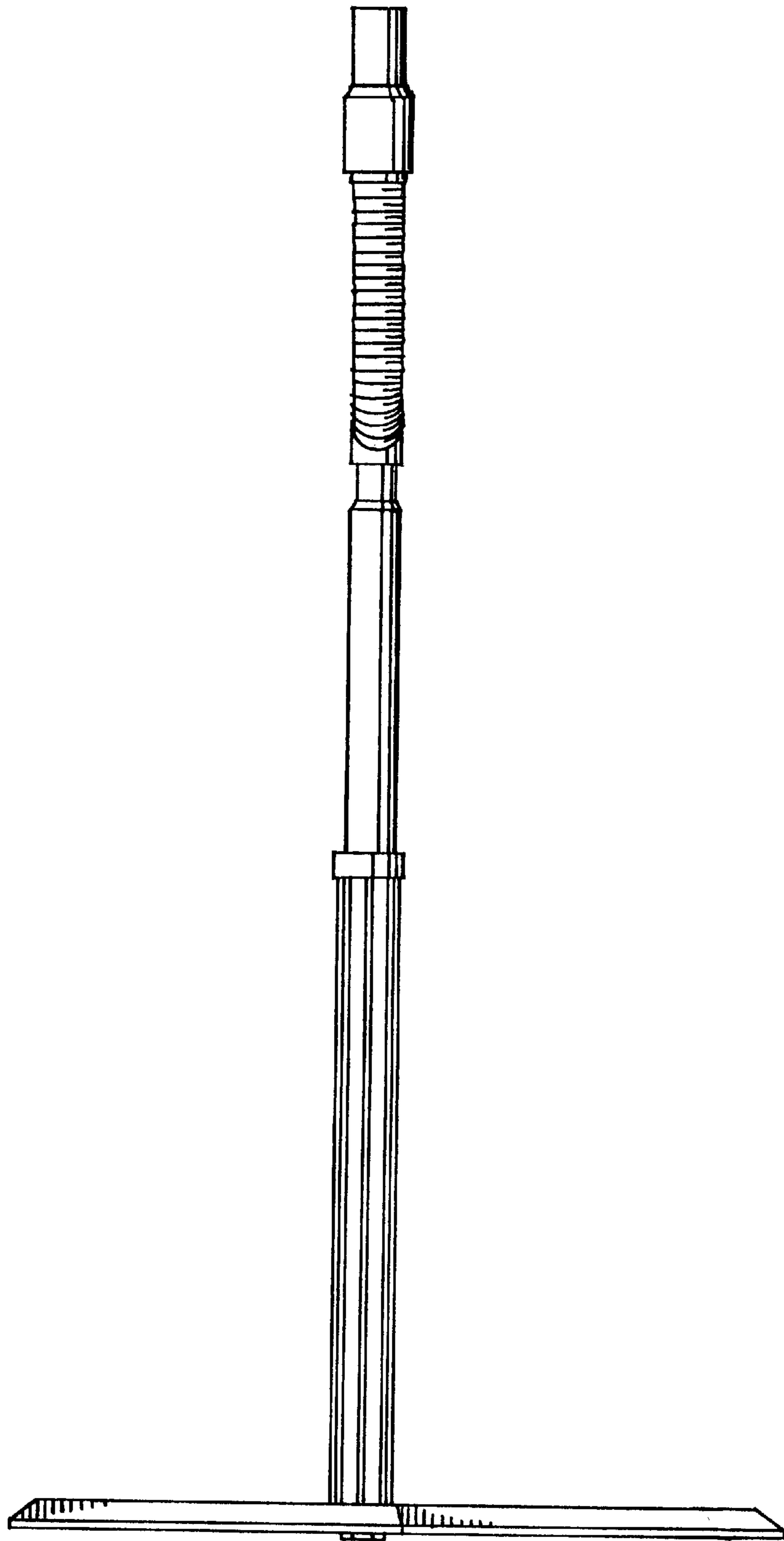


FIG. 5

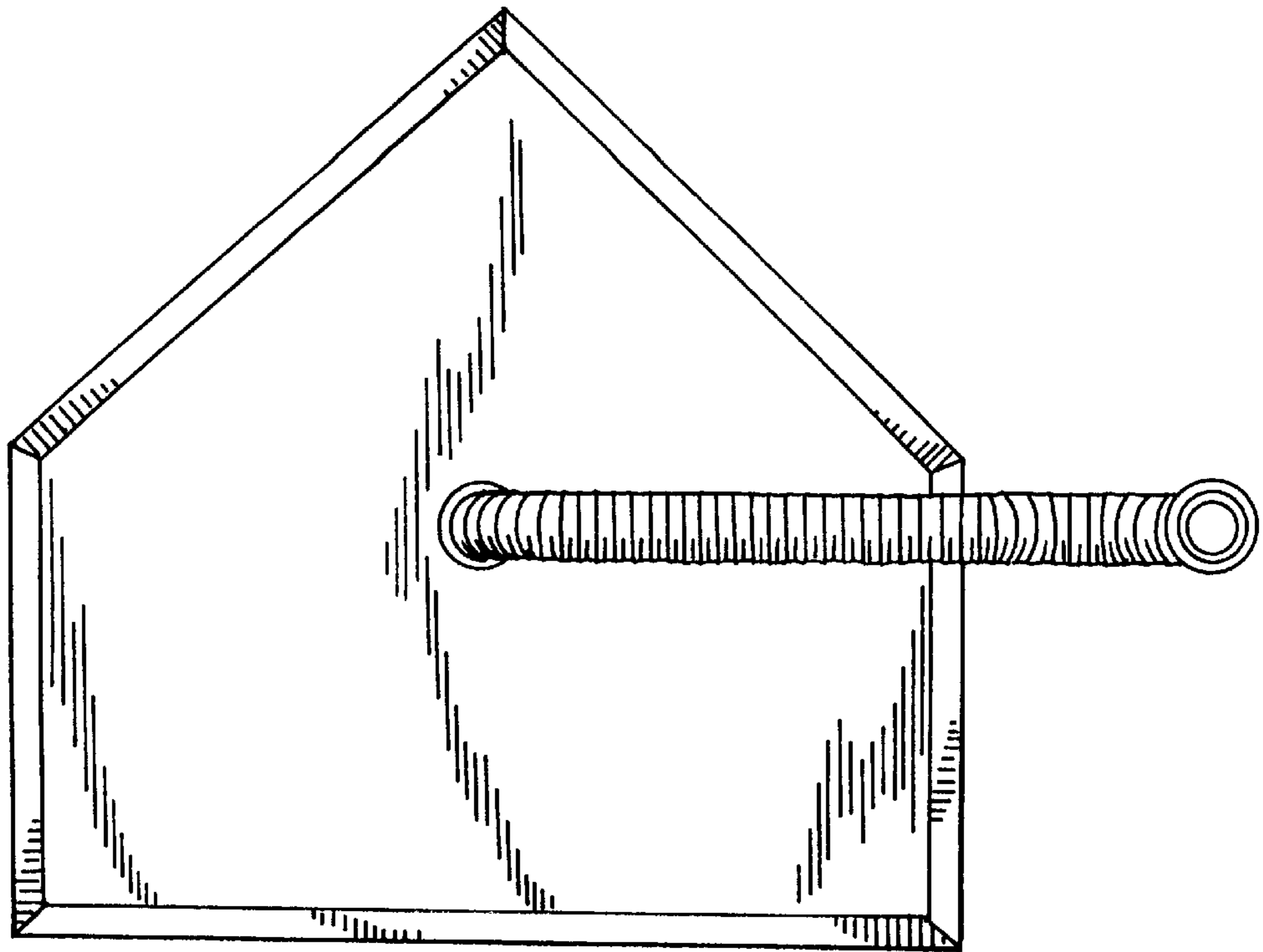


FIG. 6

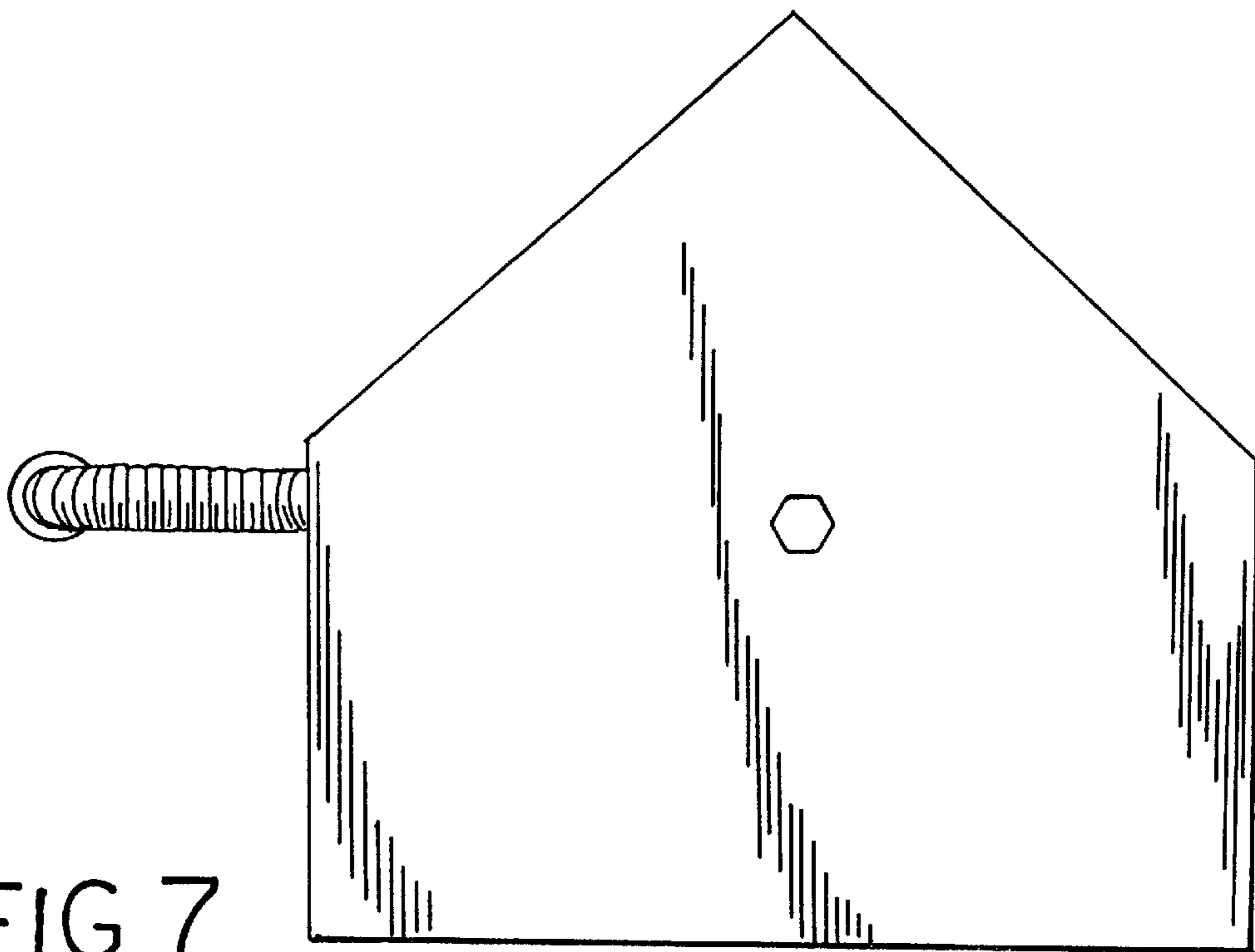


FIG. 7