



US00D430240S

United States Patent [19]
Chang

[11] **Patent Number: Des. 430,240**

[45] **Date of Patent: ** Aug. 29, 2000**

[54] **STATIONARY EXERCISE DEVICE**

[76] Inventor: **Shao-Tuan Chang**, 5F-23, 70, Fu-Shing Road, Taoyuan, Taiwan

[**] Term: **14 Years**

[21] Appl. No.: **29/105,423**

[22] Filed: **May 24, 1999**

[51] **LOC (7) Cl.** **21-02**

[52] **U.S. Cl.** **D21/667; D21/663**

[58] **Field of Search** D21/663, 665,
D21/662, 666, 667; 482/112, 51, 52, 53,
54

[56] **References Cited**

U.S. PATENT DOCUMENTS

- D. 280,003 8/1985 Kiiski D21/667
- D. 281,711 12/1985 Hiivola D21/667
- D. 288,706 3/1987 Grepmprez et al. D21/667
- D. 296,457 6/1988 Anitua D21/667

- D. 299,504 1/1989 Hong et al. D21/667
- D. 301,729 6/1989 Capjon D21/663
- D. 323,863 2/1992 Watterson D21/667

Primary Examiner—Philip S. Hyder
Attorney, Agent, or Firm—Dougherty & Troxell

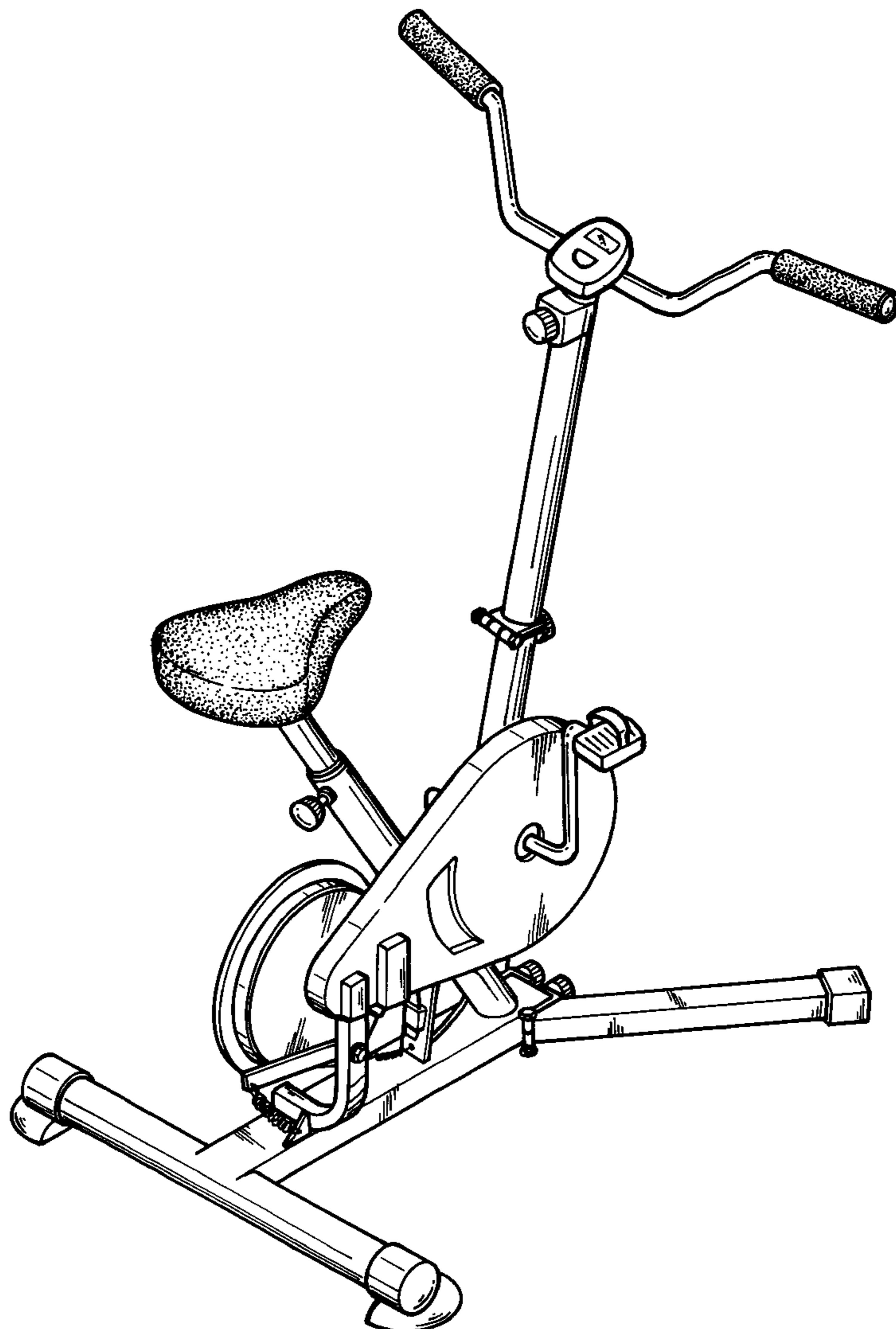
[57] **CLAIM**

The ornamental design for a stationary exercise device, as shown.

DESCRIPTION

FIG. 1 is a perspective view of a stationary exercise device showing my new design;
FIG. 2 is a front elevational view thereof;
FIG. 3 is a rear elevational view thereof;
FIG. 4 is a left side elevational view thereof;
FIG. 5 is a right side elevational view thereof;
FIG. 6 is a top plan view thereof; and,
FIG. 7 is a bottom plan view thereof.

1 Claim, 7 Drawing Sheets



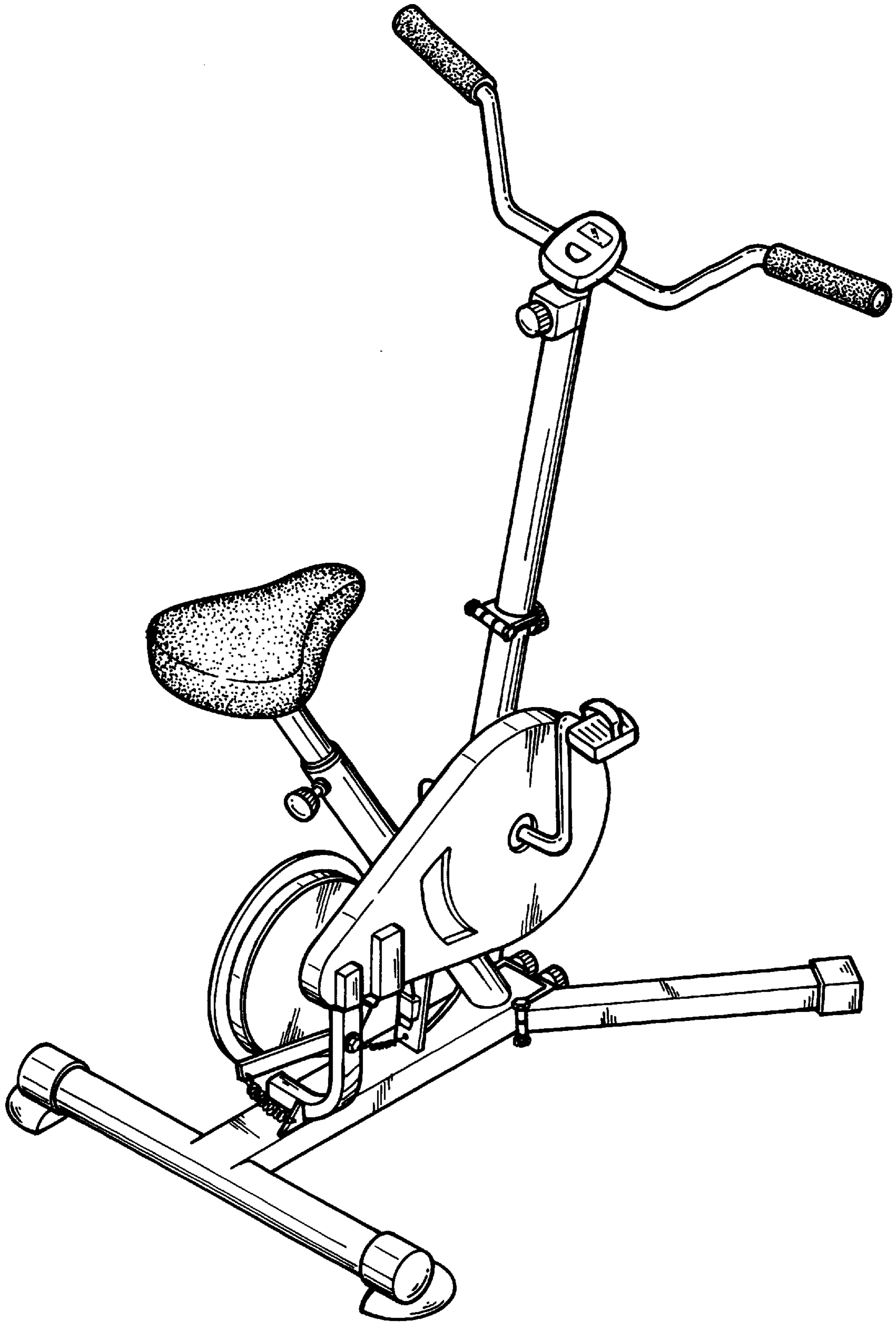


FIG. 1

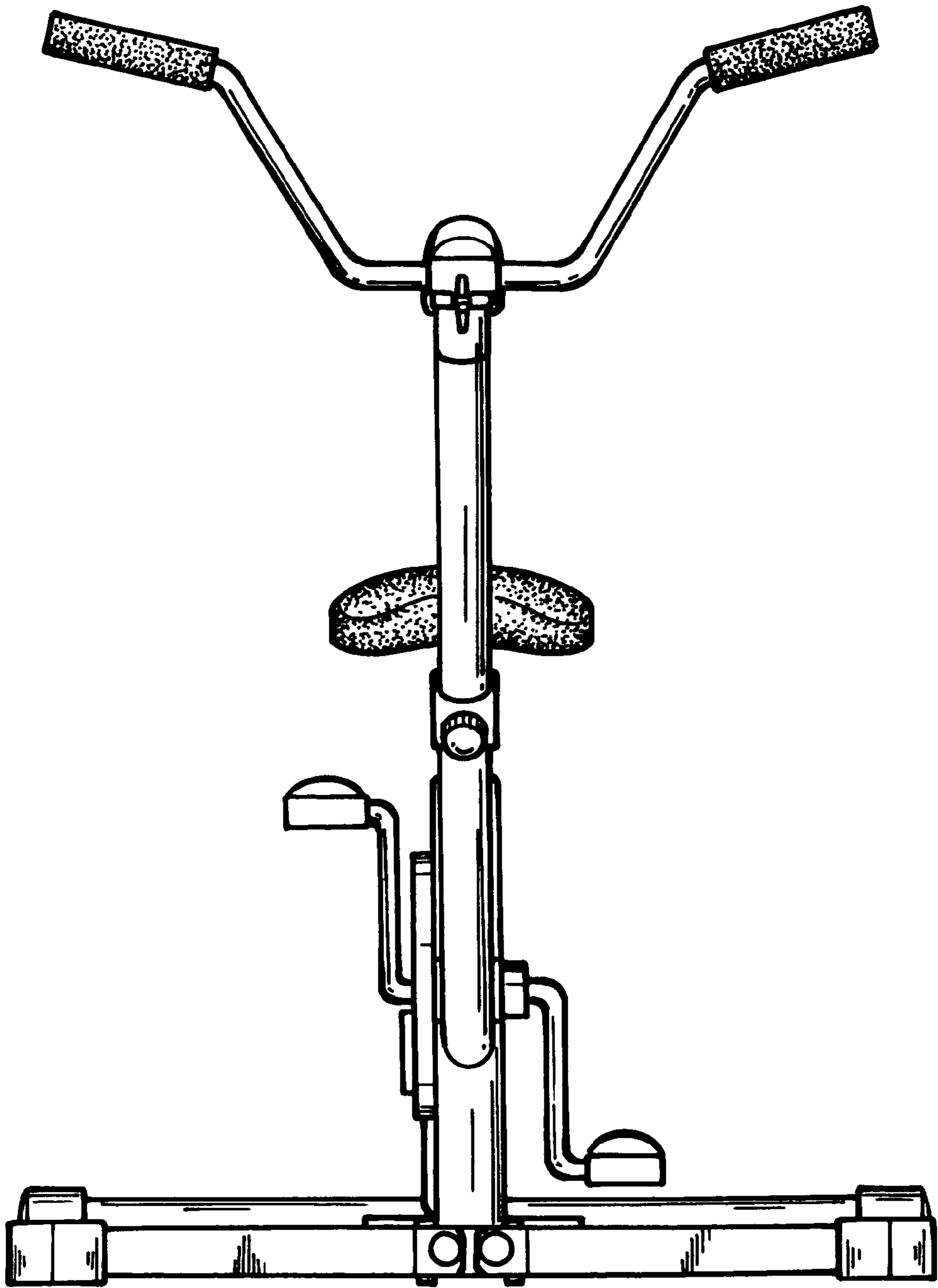


FIG. 2

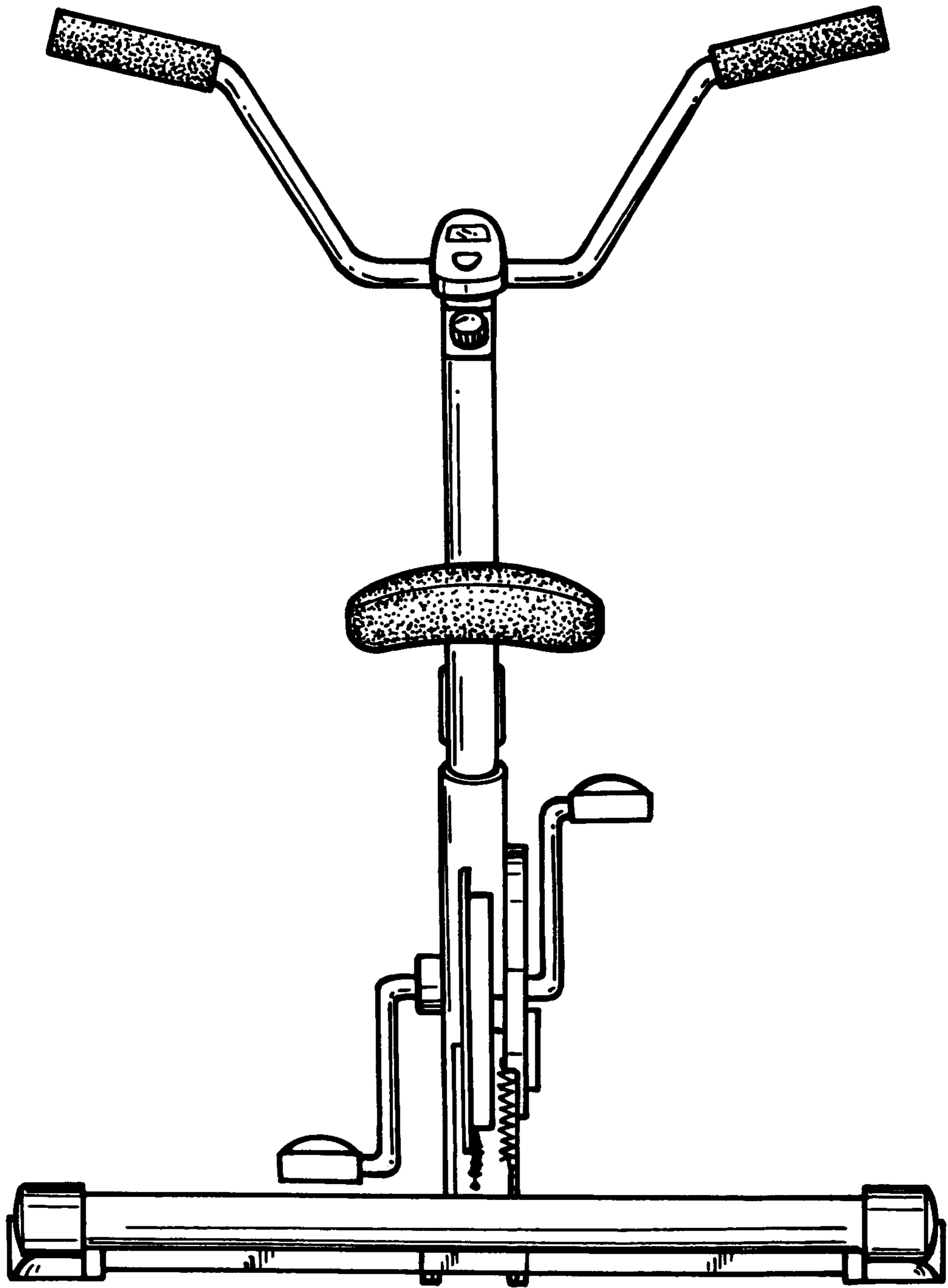


FIG. 3

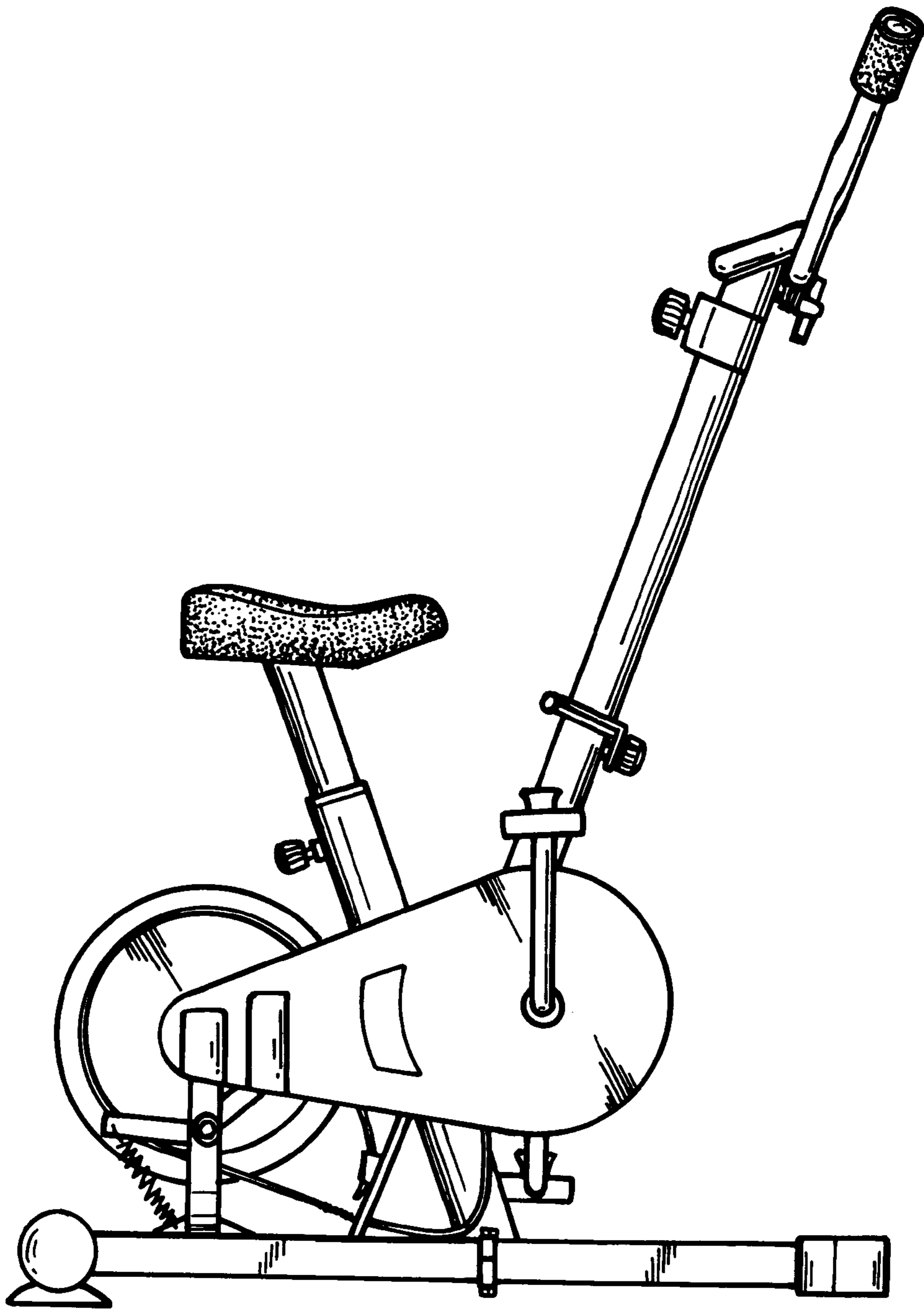


FIG. 4

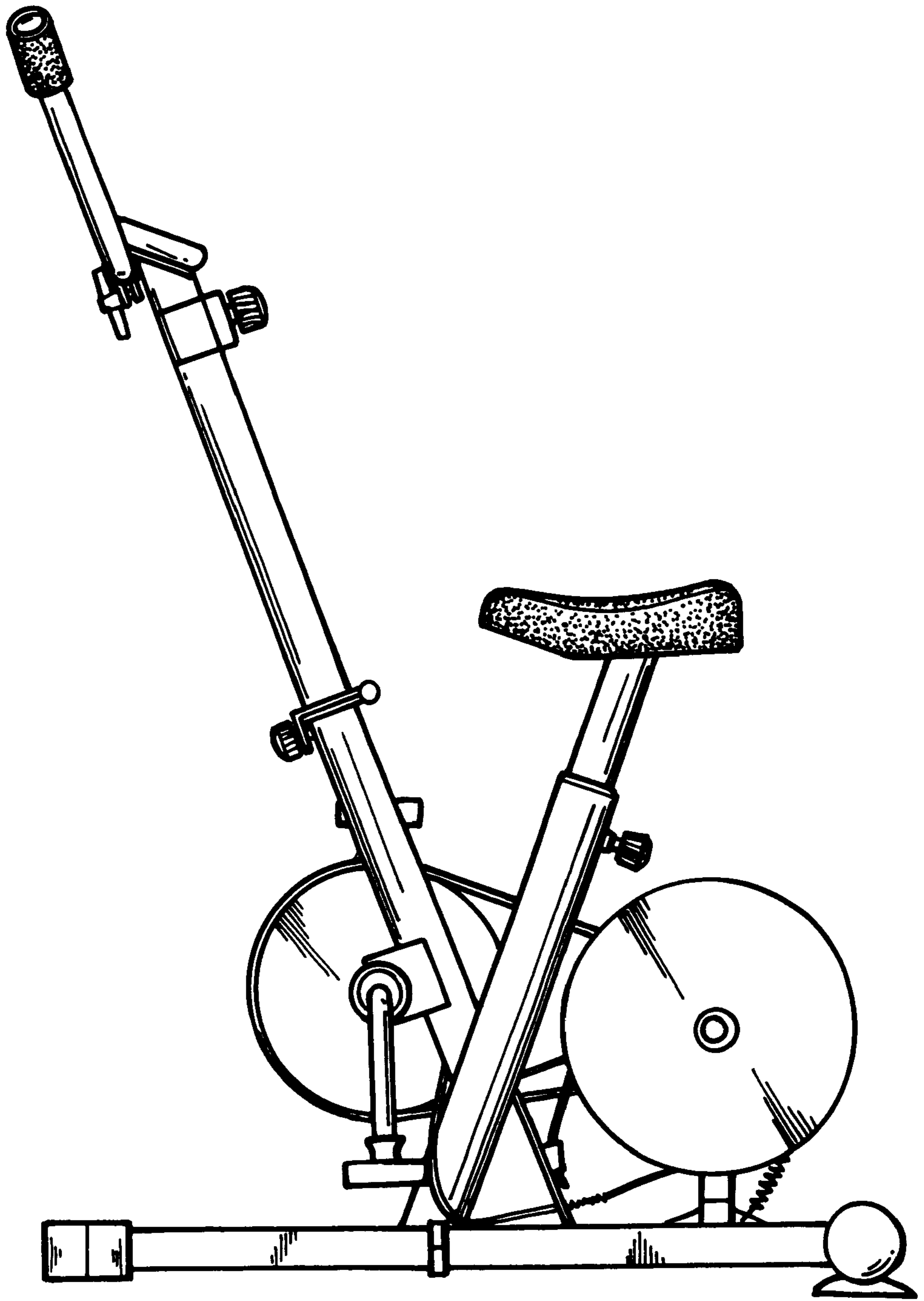


FIG. 5

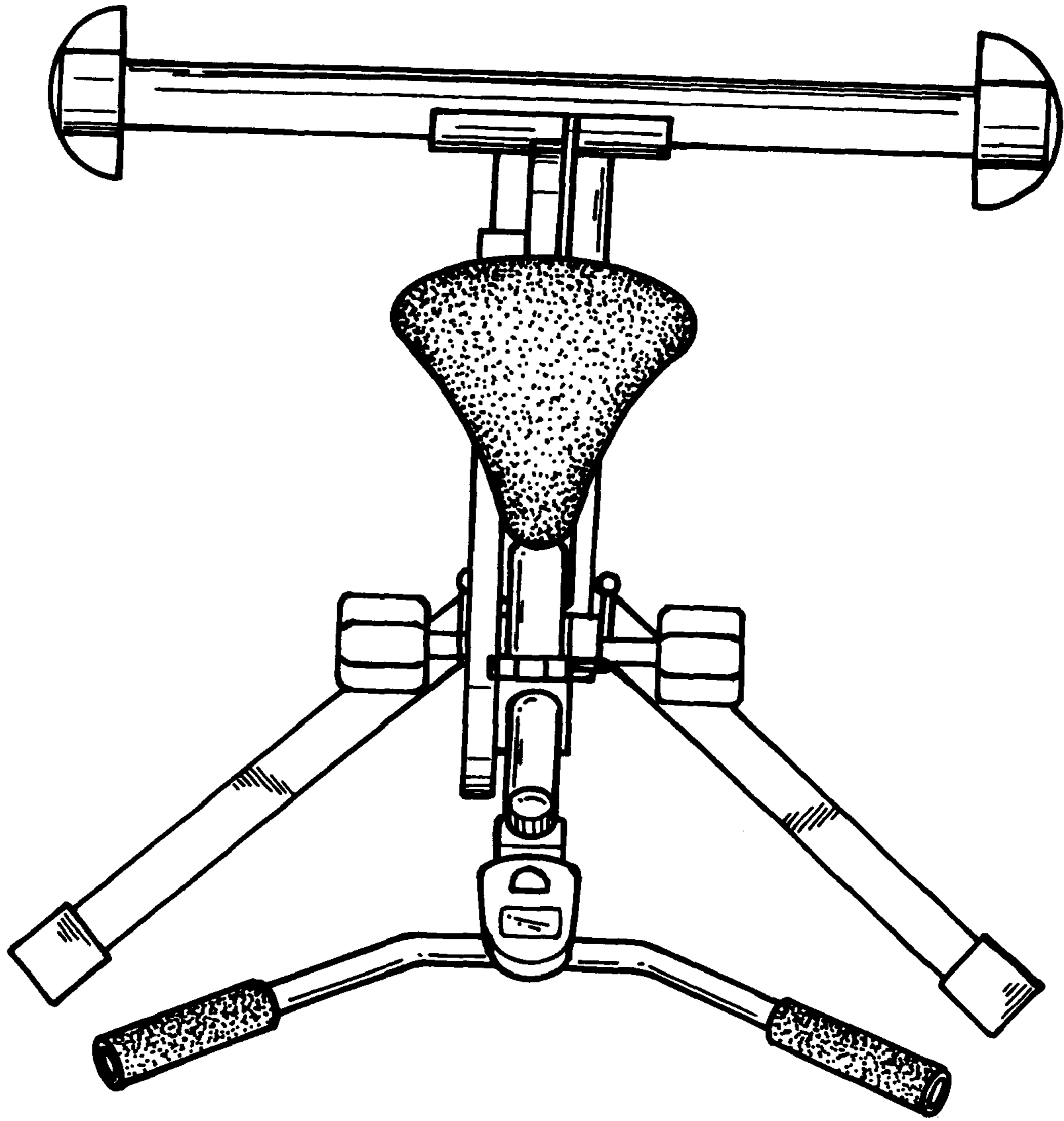


FIG. 6

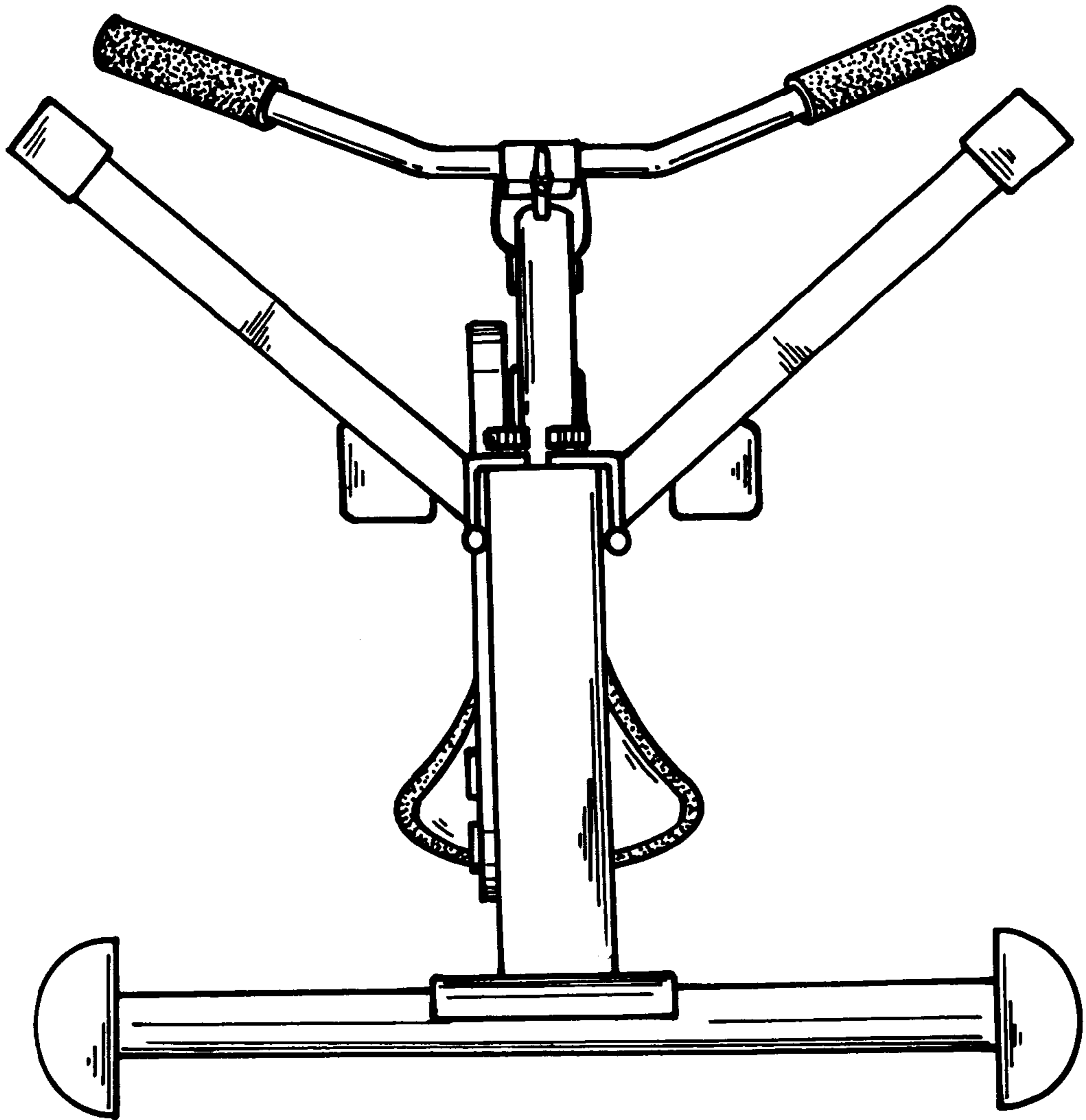


FIG. 7