



US00D430235S

# United States Patent [19]

Liebowitz et al.

[11] Patent Number: **Des. 430,235**

[45] Date of Patent: **\*\* Aug. 29, 2000**

[54] **INTERACTIVE PLAYSET FOR USE ON A COMPUTER KEYBOARD**

[75] Inventors: **Michael Liebowitz**, Concord; **Dan Klitsner**, Larkspur; **Brian Clemens**, San Francisco, all of Calif.

[73] Assignee: **Klitsner Industrial Design**, San Francisco, Calif.

[\*\*] Term: **14 Years**

[21] Appl. No.: **29/118,382**

[22] Filed: **Feb. 4, 2000**

[51] **LOC (7) Cl.** ..... **21-01**

[52] **U.S. Cl.** ..... **D21/515**

[58] **Field of Search** ..... D21/512-518, D21/475-477, 329-333; D14/400-401, 412-416; D19/59-60; 446/141-143, 227, 408

### [56] **References Cited**

#### **U.S. PATENT DOCUMENTS**

D. 328,624 8/1992 Hu ..... D21/477

D. 335,909 5/1993 Swanson et al. .... D14/414  
D. 385,590 10/1997 Choi ..... D21/515  
D. 393,493 4/1998 Lee ..... D21/477  
D. 420,708 2/2000 Holmes et al. .... D21/329

*Primary Examiner*—Raphael Barkai  
*Attorney, Agent, or Firm*—Kurt R. Benson

### [57] **CLAIM**

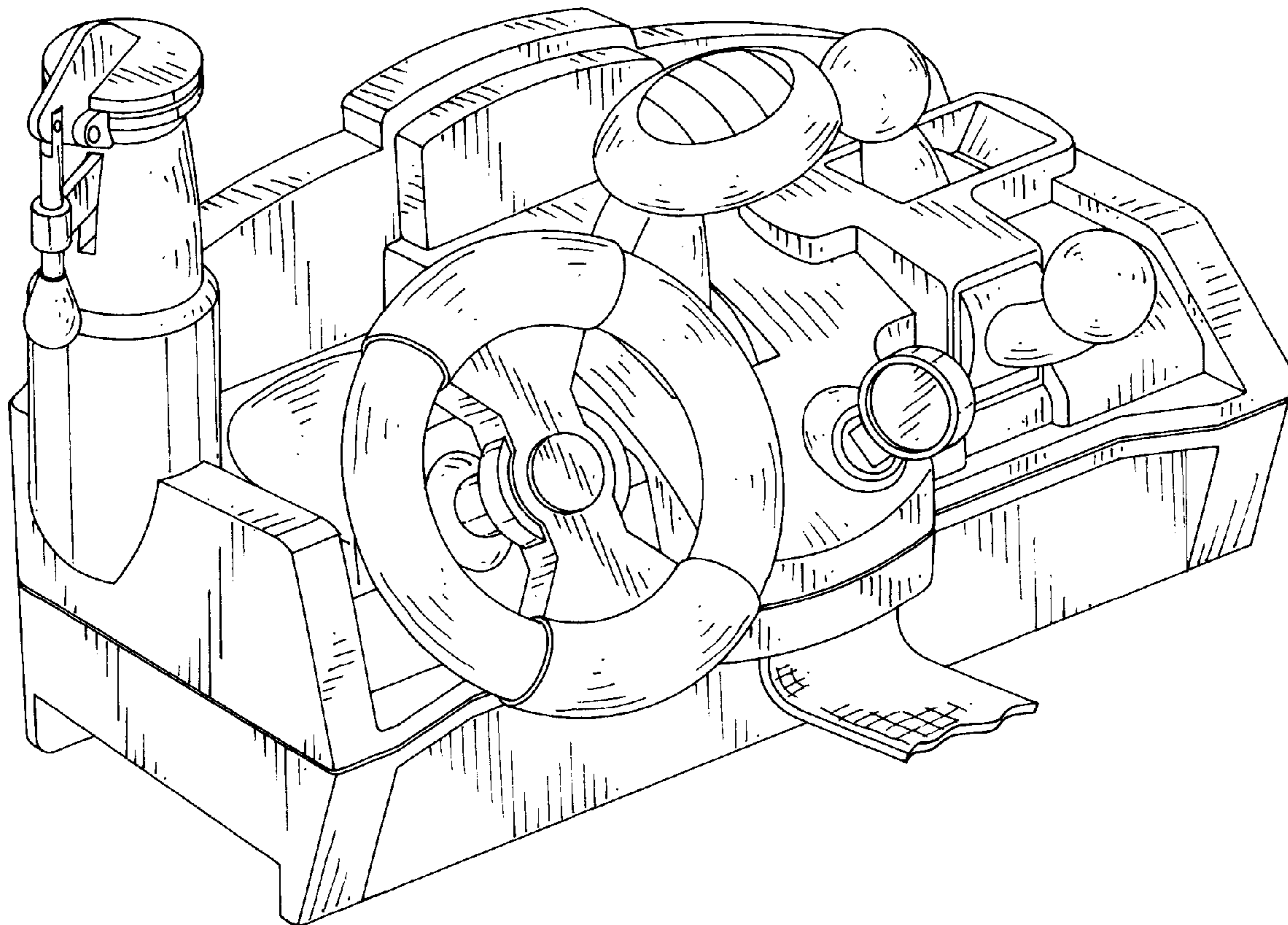
An ornamental design for an interactive playset for use on a computer keyboard, as shown and described.

### **DESCRIPTION**

FIG. 1 is a perspective view of the interactive playset for use on a computer keyboard of the instant invention; FIG. 2 is a front elevational view thereof; FIG. 3 is a rear elevational view thereof; FIG. 4 is a left side elevational view thereof; FIG. 5 is a right side elevational view thereof; FIG. 6 is a top plan view thereof; FIG. 7 is a bottom plan view thereof; and, FIG. 8 is a perspective view thereof as assembled on a computer keyboard.

The broken lines shown in FIG. 8 are for illustrative purposes only and form no part of the claimed design.

**1 Claim, 5 Drawing Sheets**



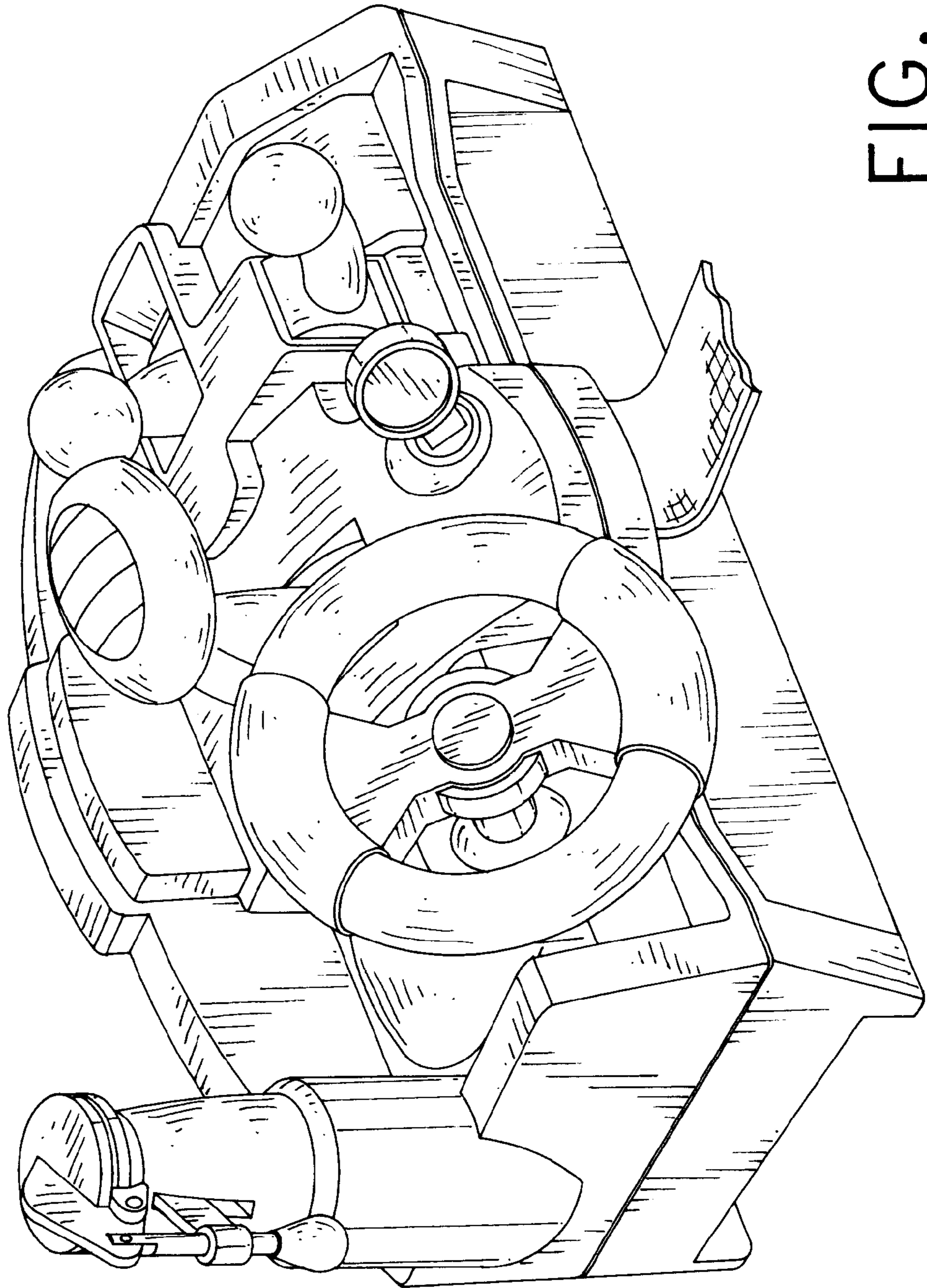


FIG. 1

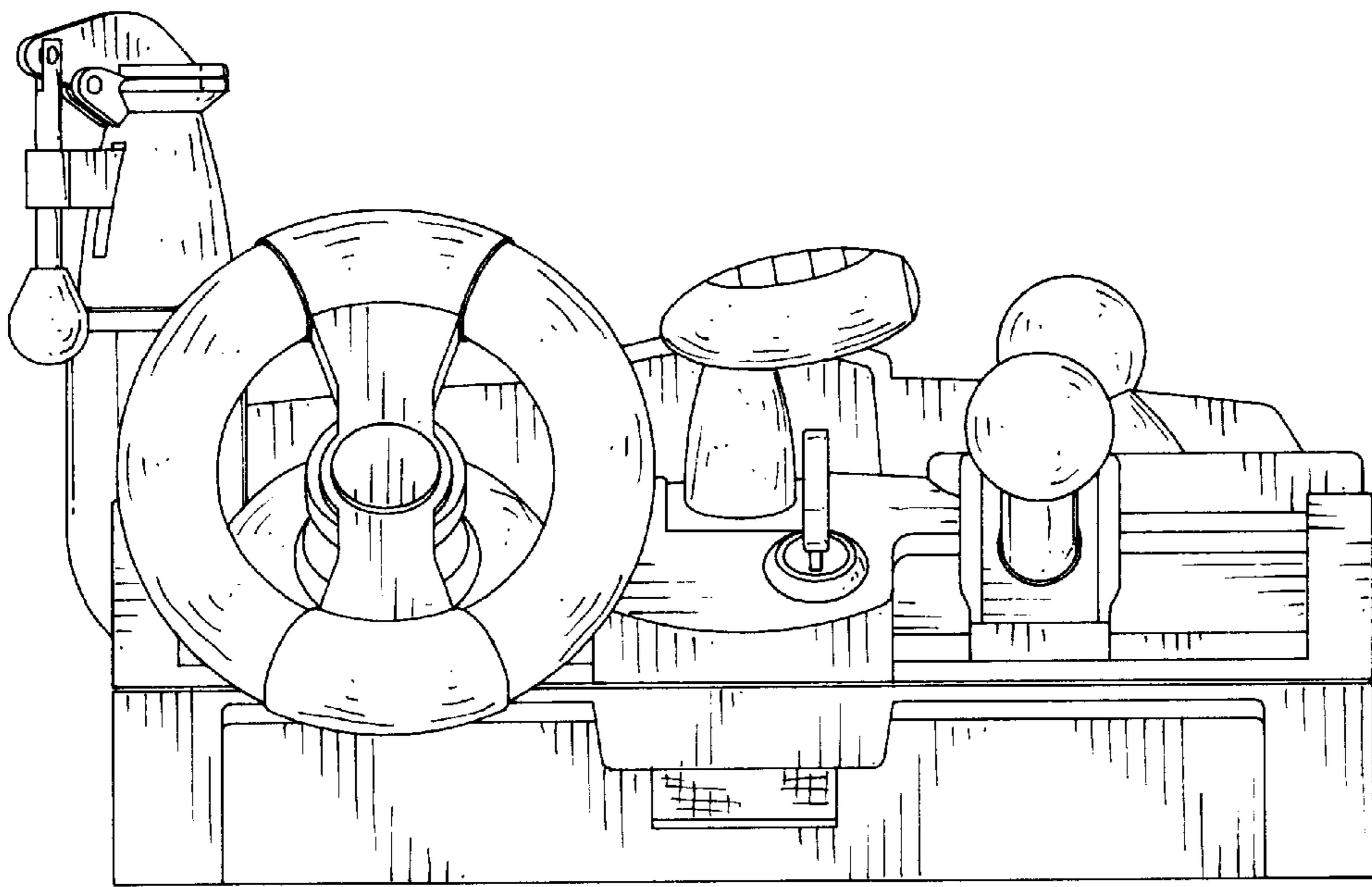


FIG. 2

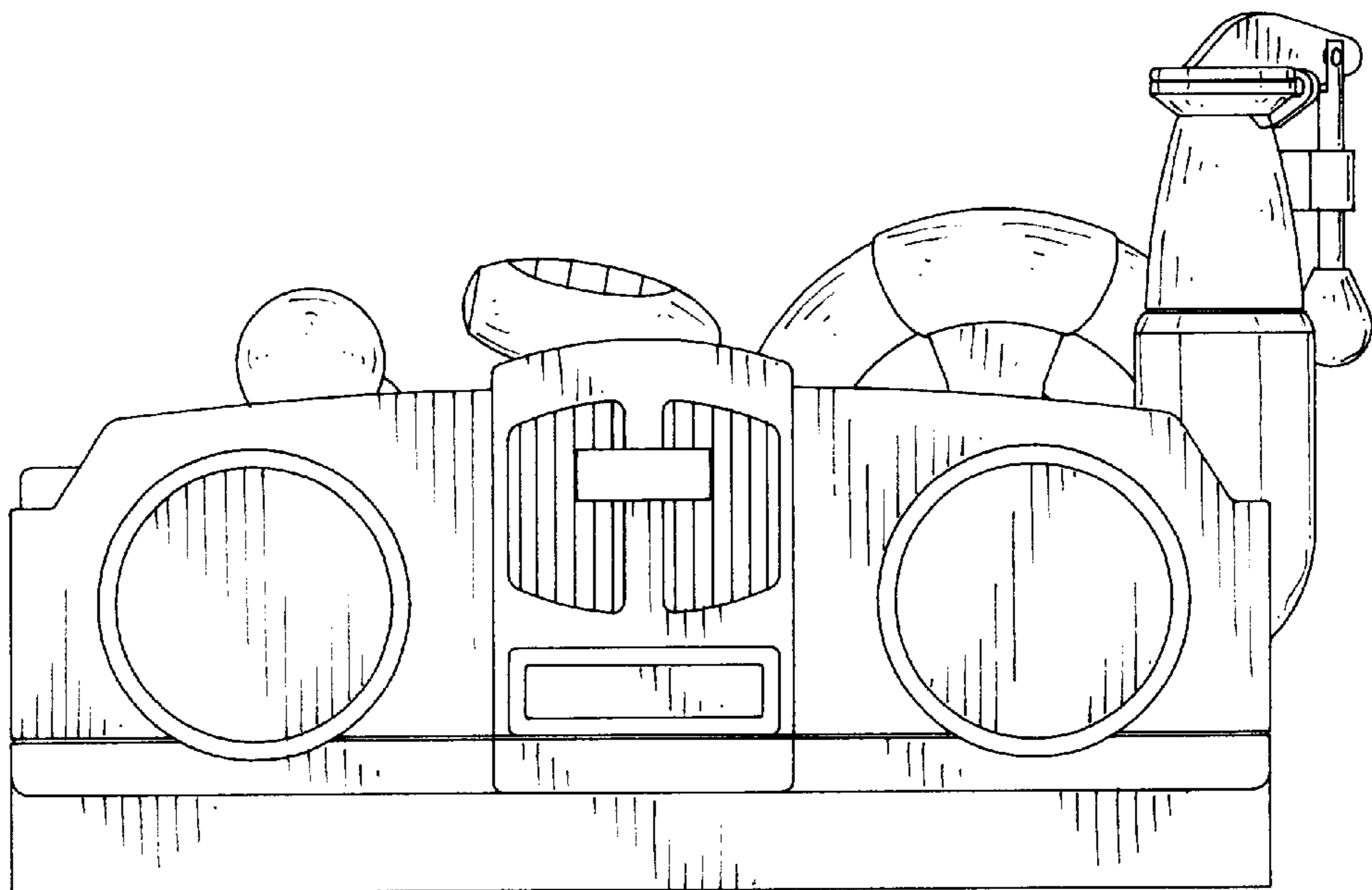


FIG. 3

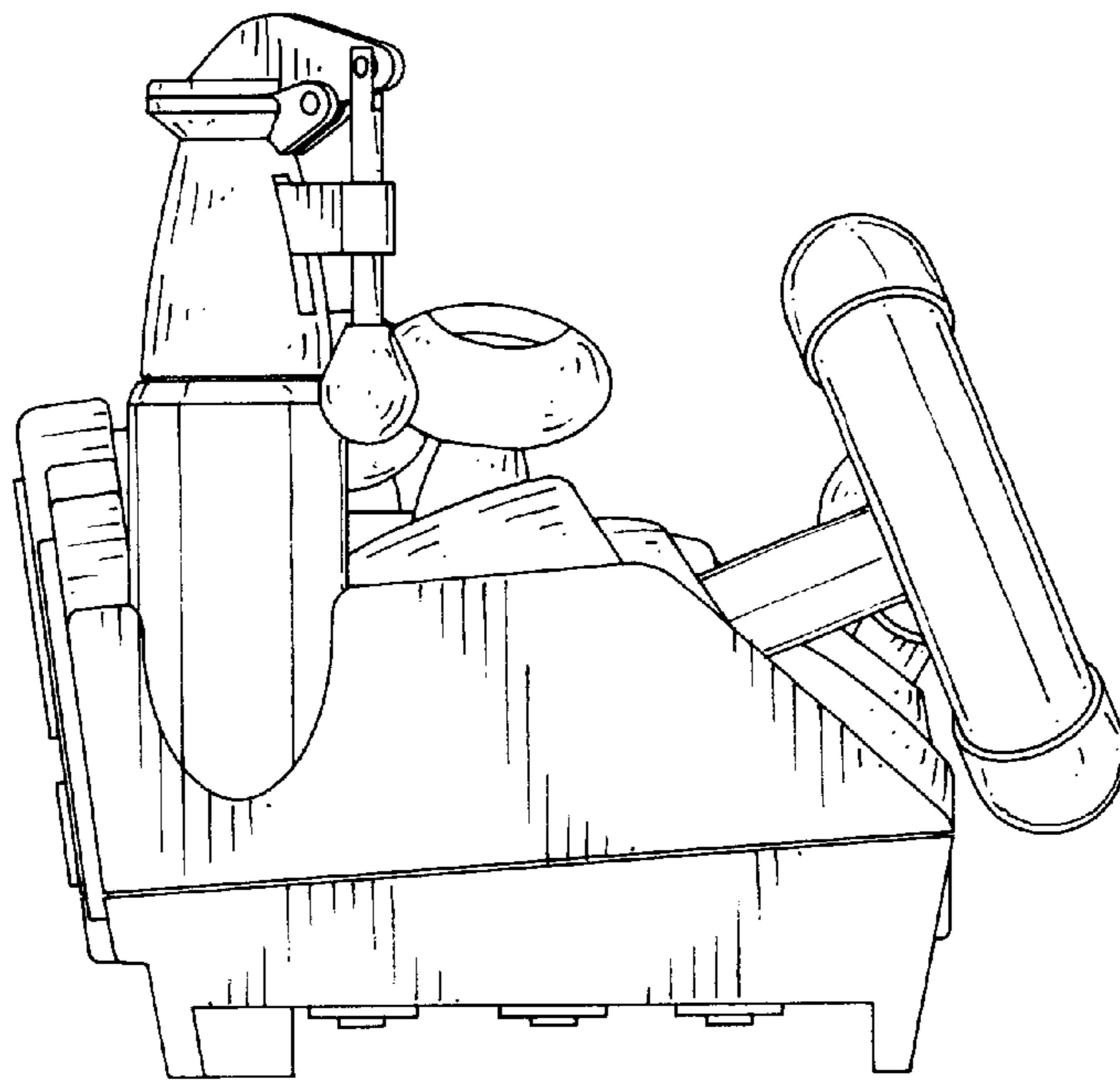


FIG. 4

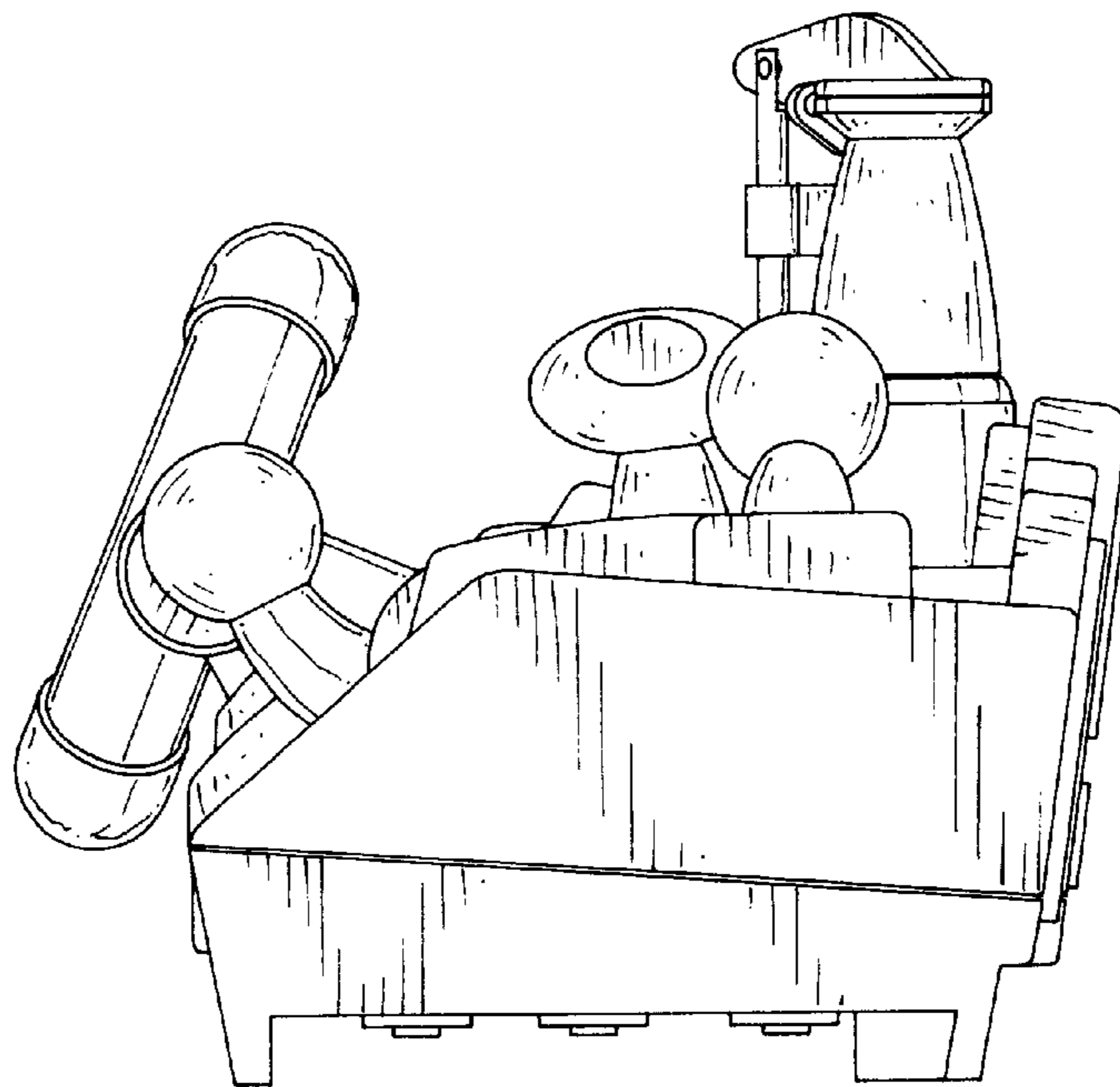


FIG. 5

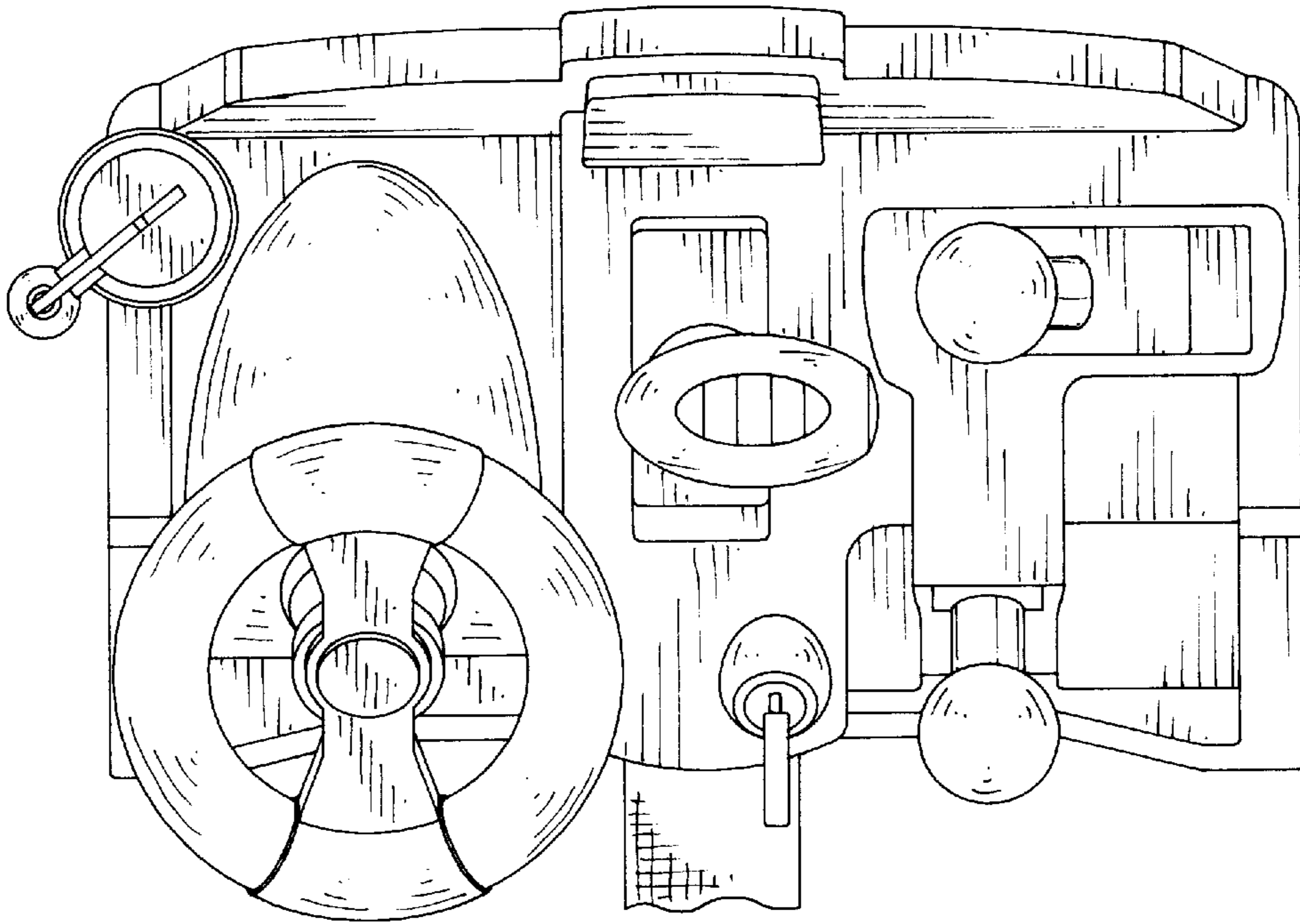


FIG. 6

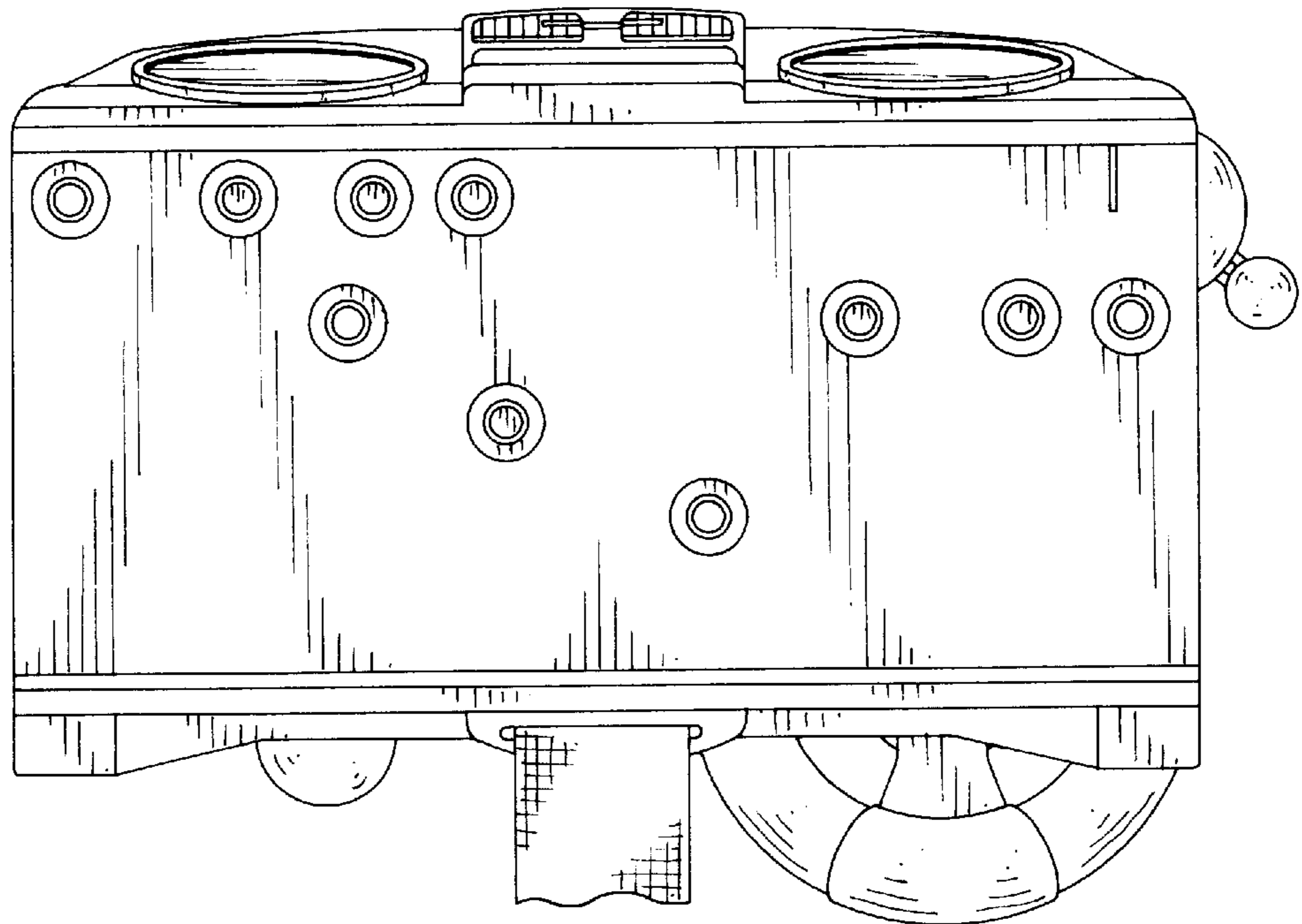


FIG. 7

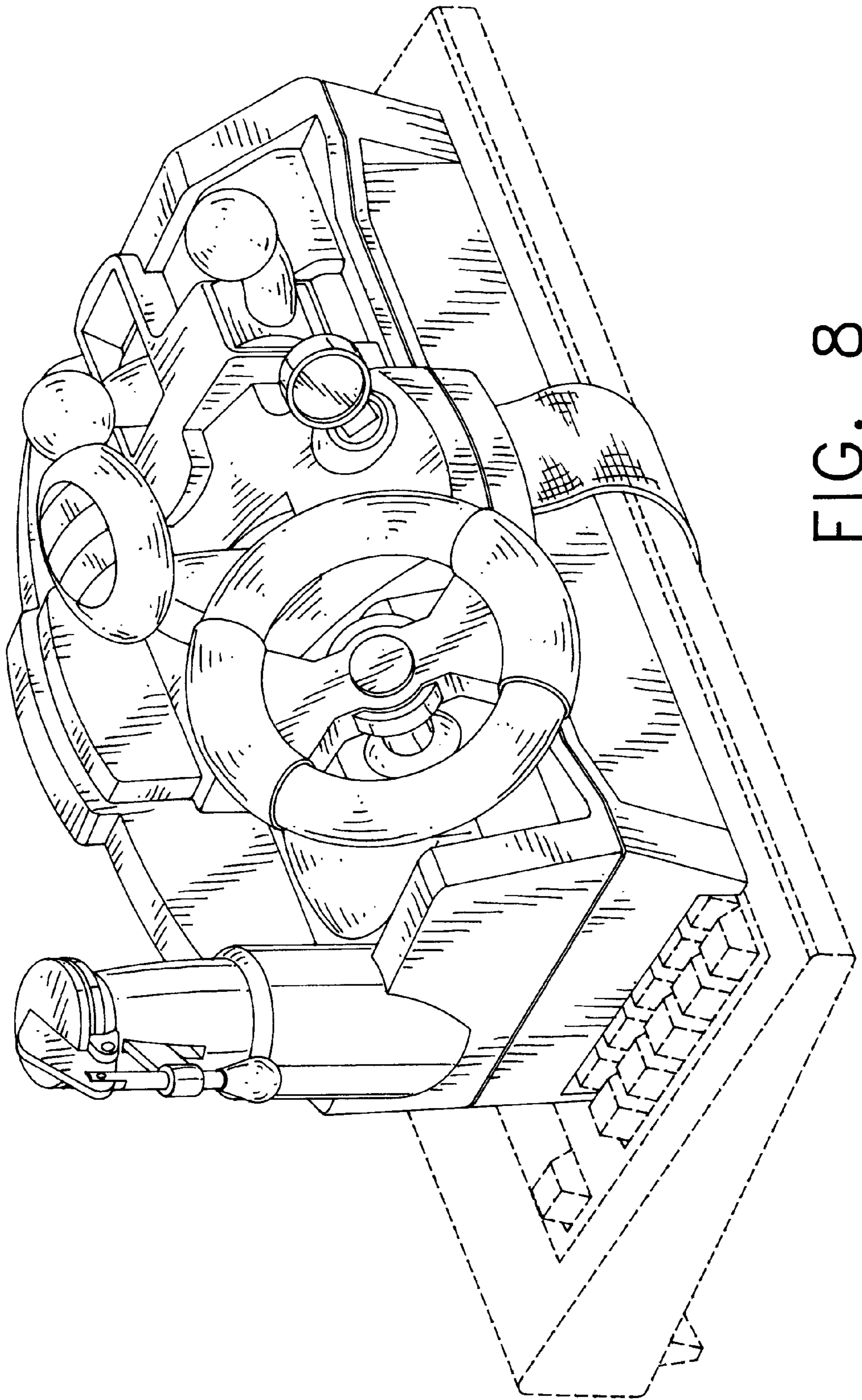


FIG. 8