



US00D430231S

United States Patent [19]

Sorensen et al.

[11] Patent Number: Des. 430,231

[45] Date of Patent: ** Aug. 29, 2000

[54] TOY BUILDING ELEMENT

[76] Inventors: Soren Christian Sorensen, P.O. Box 256, North Side, Grand Cayman, Cayman Islands; Andrew Moore, 2502 Rice St., Chesapeake, Va. 23324

[**] Term: 14 Years

[21] Appl. No.: 29/100,260

[22] Filed: Feb. 8, 1999

[51] LOC (7) Cl. 21-01

[52] U.S. Cl. D21/500; D21/499

[58] Field of Search D21/484, 499-505; 446/85, 108-116, 117, 120-122, 124, 125, 128

[56] References Cited

U.S. PATENT DOCUMENTS

| | | | |
|------------|---------|---------------------|---------|
| D. 238,168 | 12/1975 | Ketcham | D21/504 |
| D. 249,232 | 9/1978 | Van Der Veken | D21/500 |
| D. 363,647 | 10/1995 | Rivlin et al. . | |
| D. 367,403 | 2/1996 | Rivlin et al. . | |
| D. 368,939 | 4/1996 | Frederiksen | D21/500 |
| D. 370,503 | 6/1996 | Burns | D21/500 |
| 2,132,757 | 10/1938 | Paulson . | |
| 2,472,363 | 6/1949 | Blackinton | D21/504 |
| 3,374,917 | 3/1968 | Troy . | |
| 3,415,007 | 12/1968 | Howe . | |
| 5,069,647 | 12/1991 | Zuviria . | |
| 5,267,863 | 12/1993 | Simmons, Jr. . | |
| 5,310,071 | 5/1994 | Rivlin et al. . | |
| 5,471,808 | 12/1995 | Depieri | 446/128 |

5,653,621 8/1997 Yao .
5,795,210 8/1998 Kushner et al. .
5,848,927 12/1998 Frederiksen 446/128

FOREIGN PATENT DOCUMENTS

849775 8/1970 Canada .
93/04749 3/1993 WIPO .

Primary Examiner—Raphael Barkai
Attorney, Agent, or Firm—Edward W. Callan

[57] CLAIM

The ornamental design for a toy building element , as shown and described.

DESCRIPTION

FIG. 1 is a top perspective view of one embodiment of the toy building element.
FIG. 2 is a side view of the embodiment of the toy building element shown in FIG. 1. All four sides of this embodiment are identical.
FIG. 3 is a top view of the embodiment of the toy building element shown in FIG. 1.
FIG. 4 is a bottom view of the embodiment of the toy building element shown in FIG. 1.
FIG. 5 is perspective view of a modified embodiment of the design shown in FIGS. 1-4,
FIG. 6 is a front view thereof, the rear view being identical;
FIG. 7 is a left side view thereof, the right side view being identical;
FIG. 8 is a top view thereof; and,
FIG. 9 is a bottom view thereof.

1 Claim, 2 Drawing Sheets

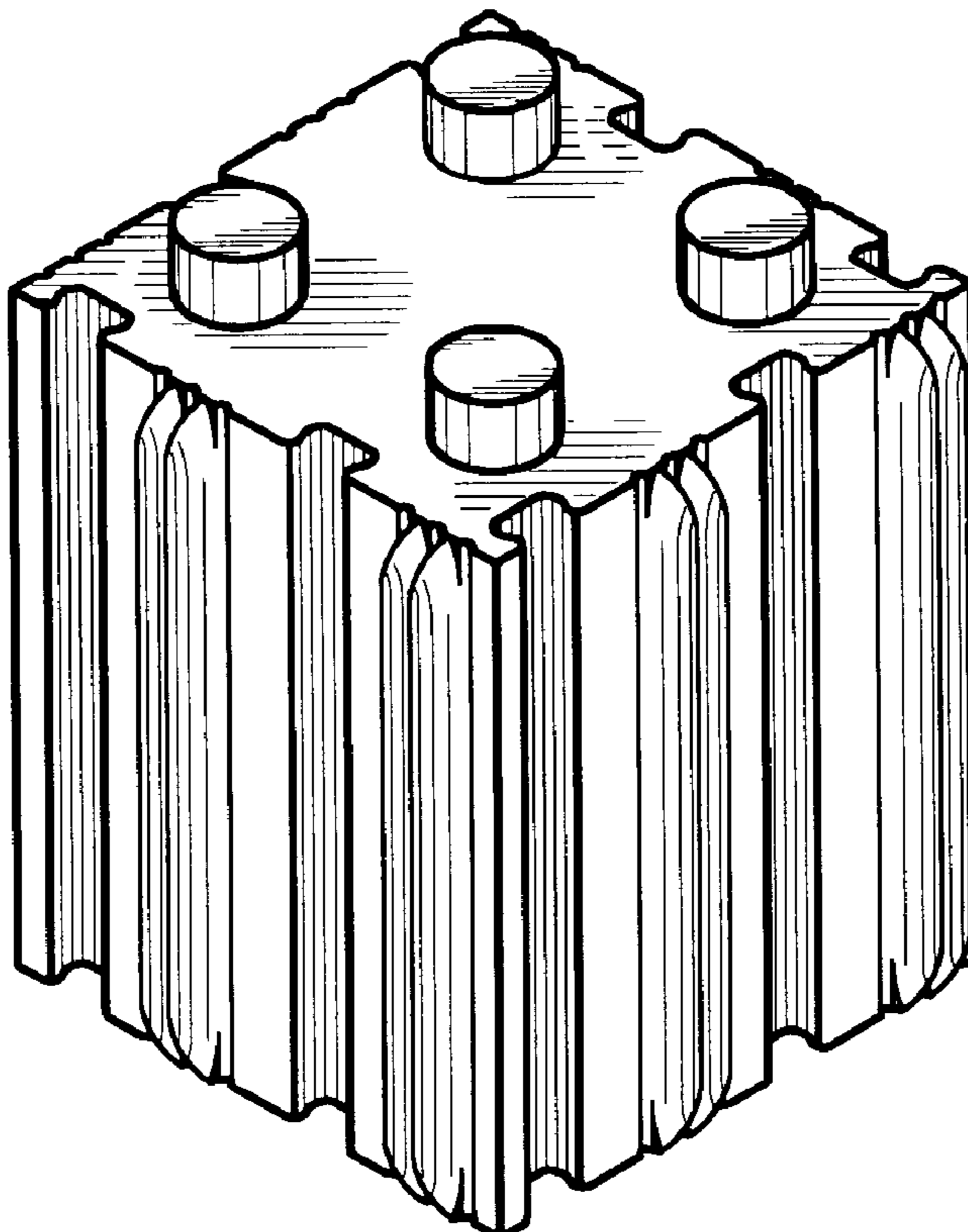


FIG. 1

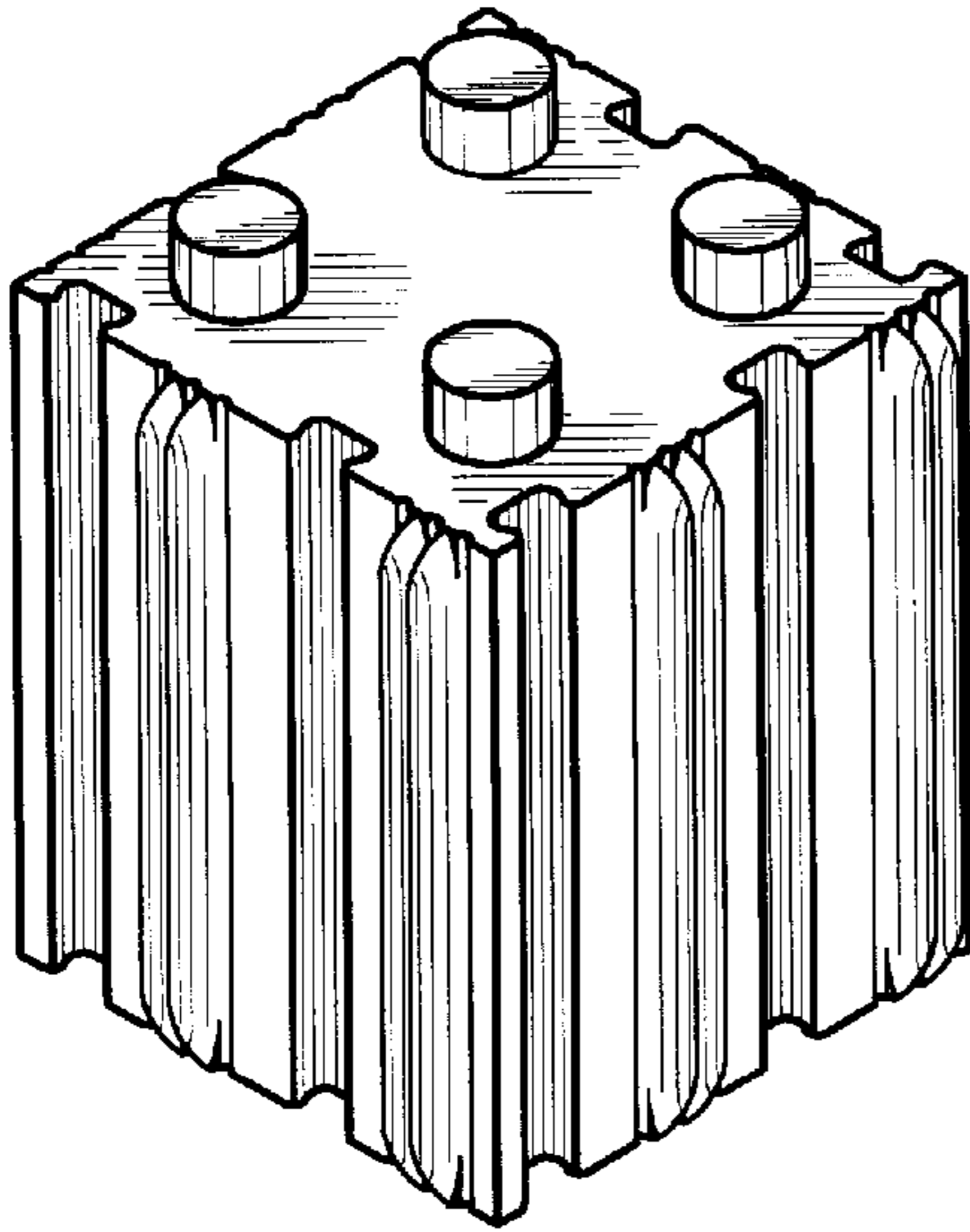


FIG. 2

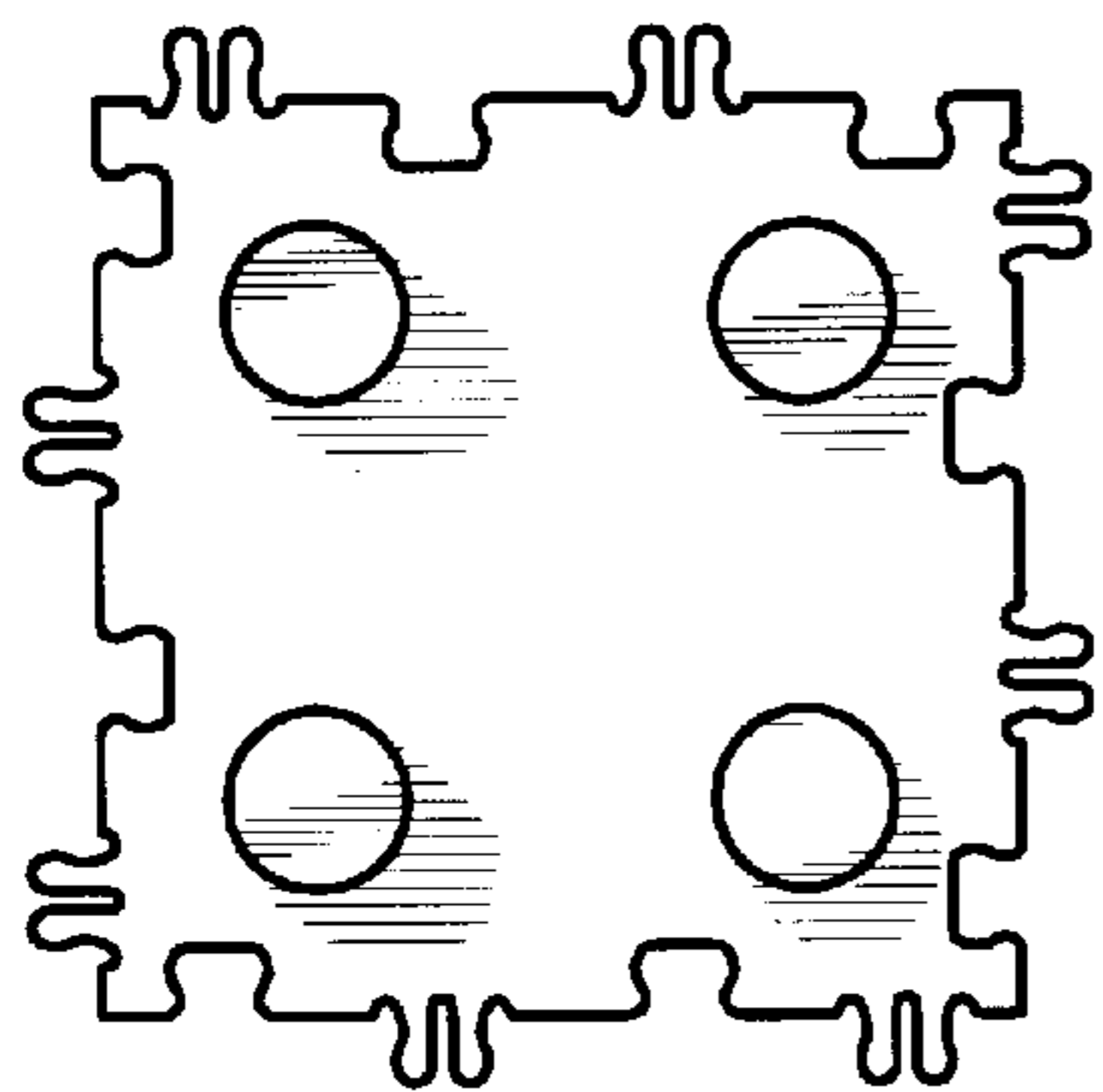
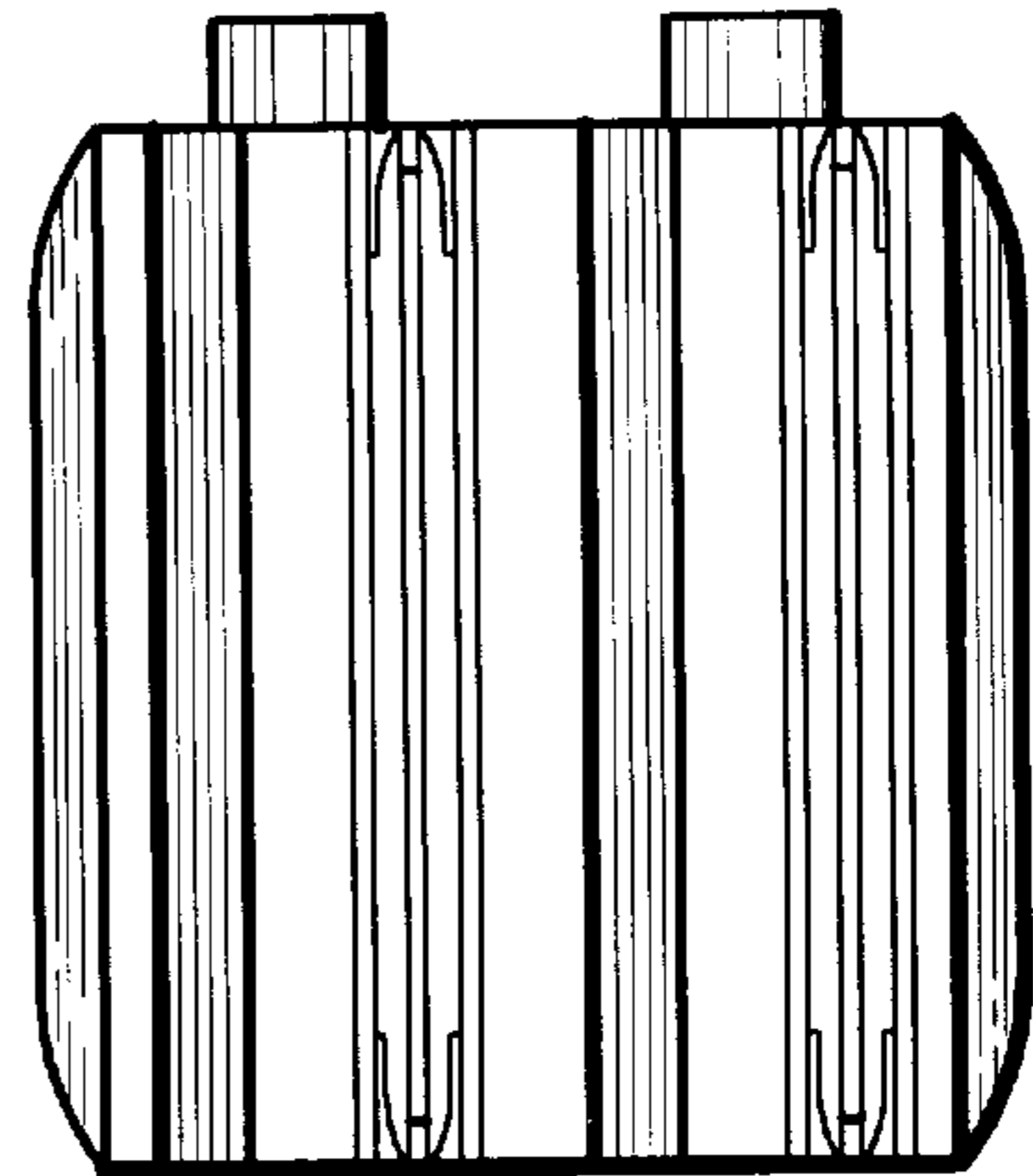


FIG. 3

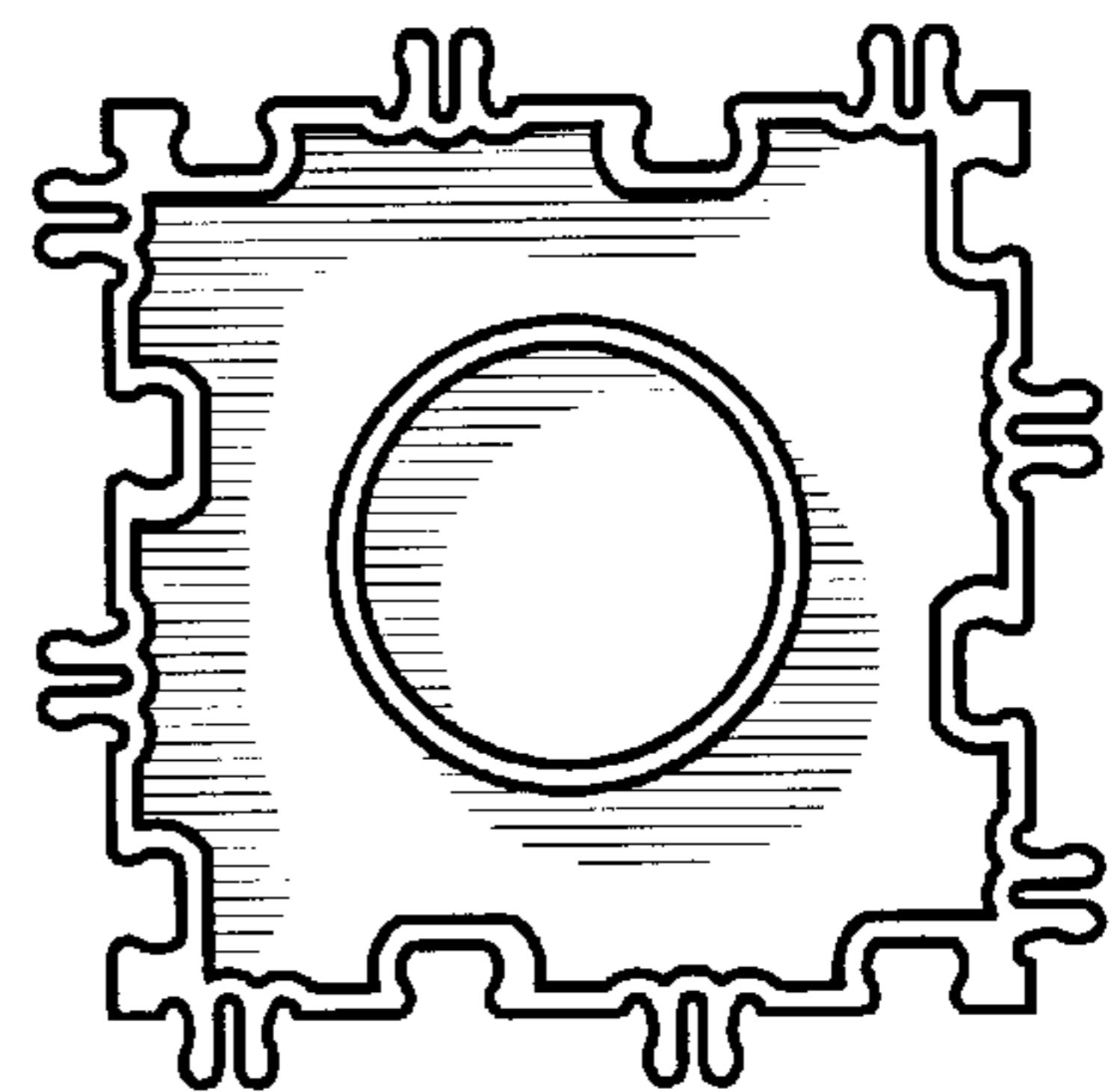


FIG. 4

FIG. 5

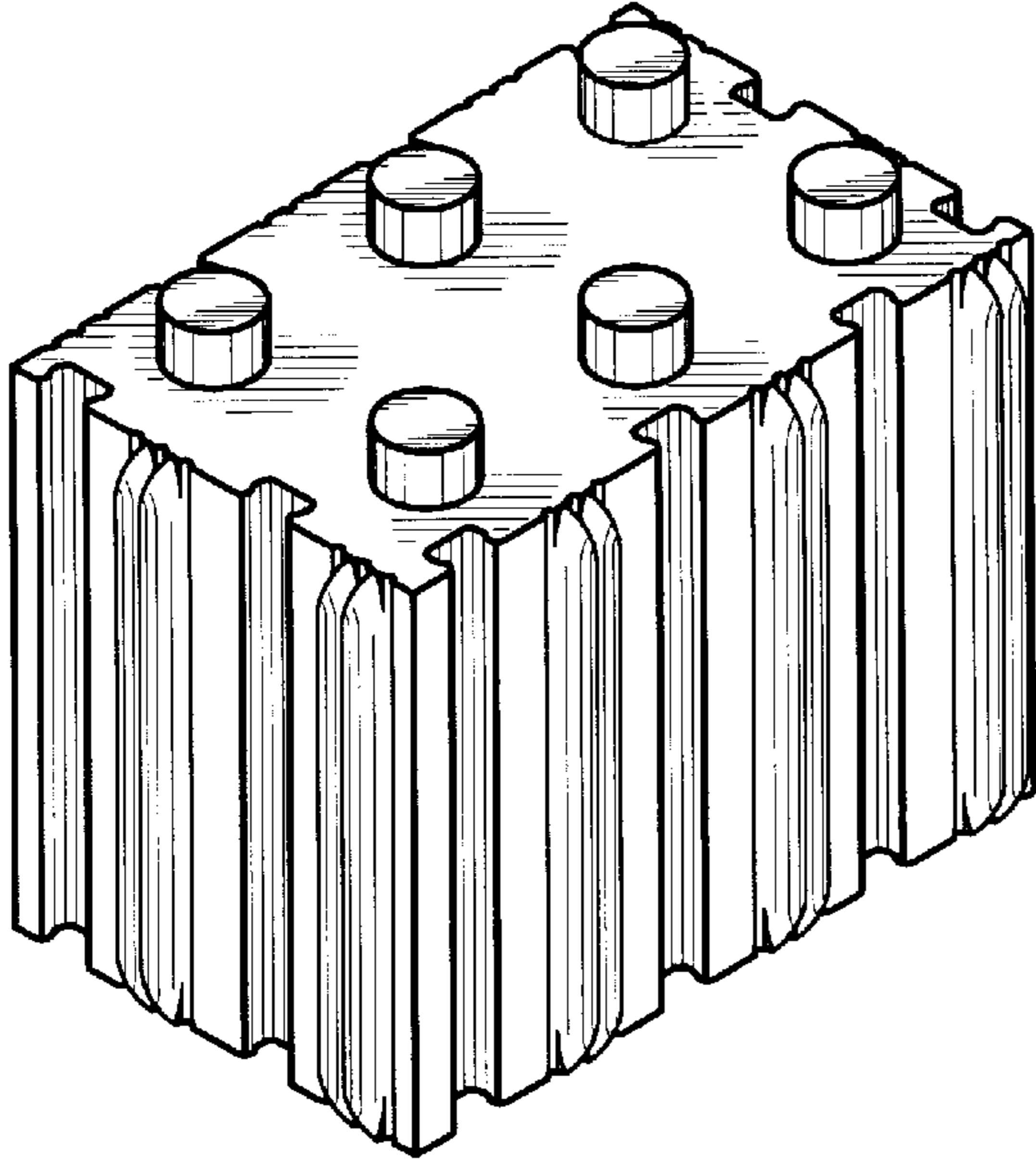


FIG. 6

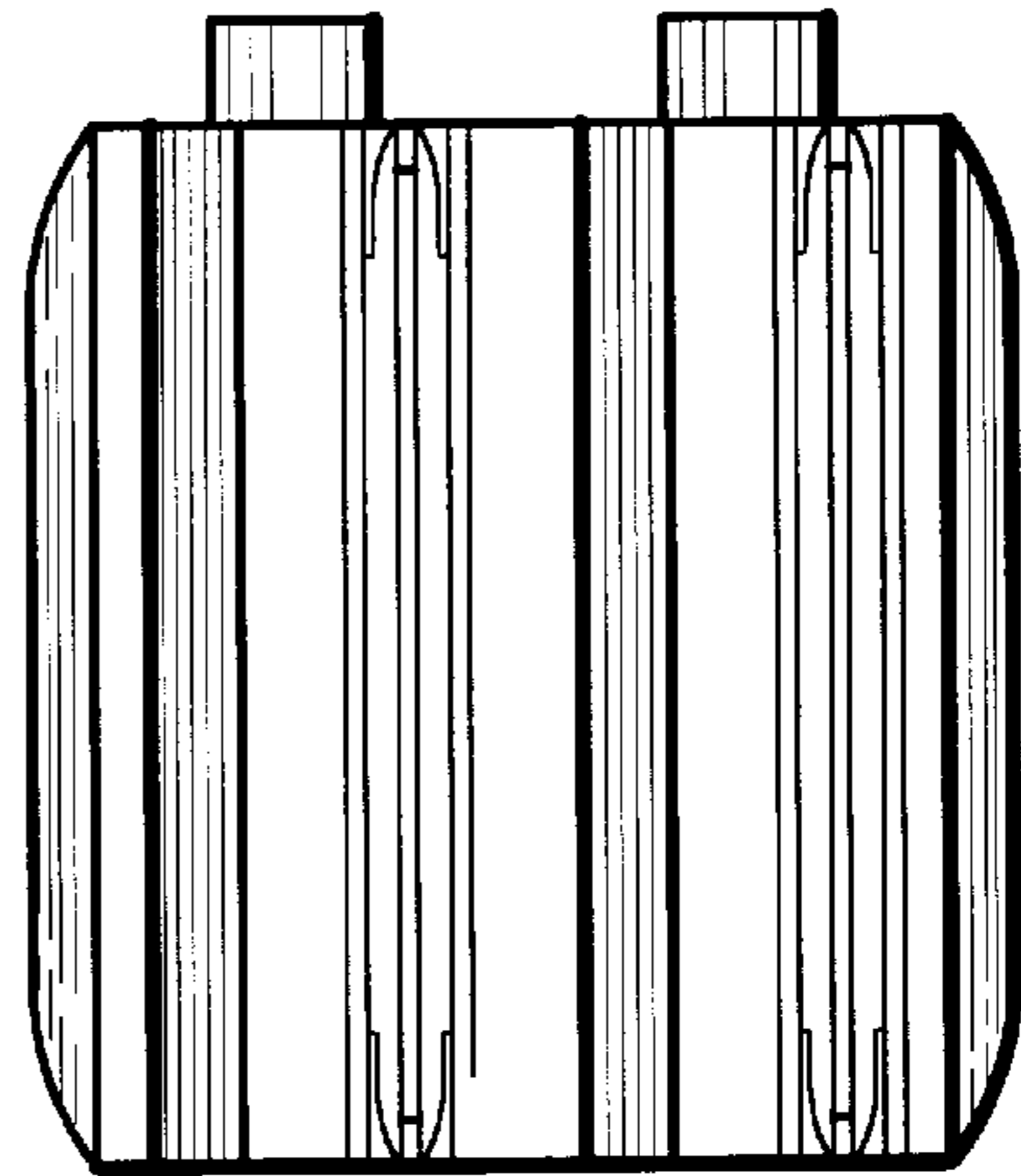
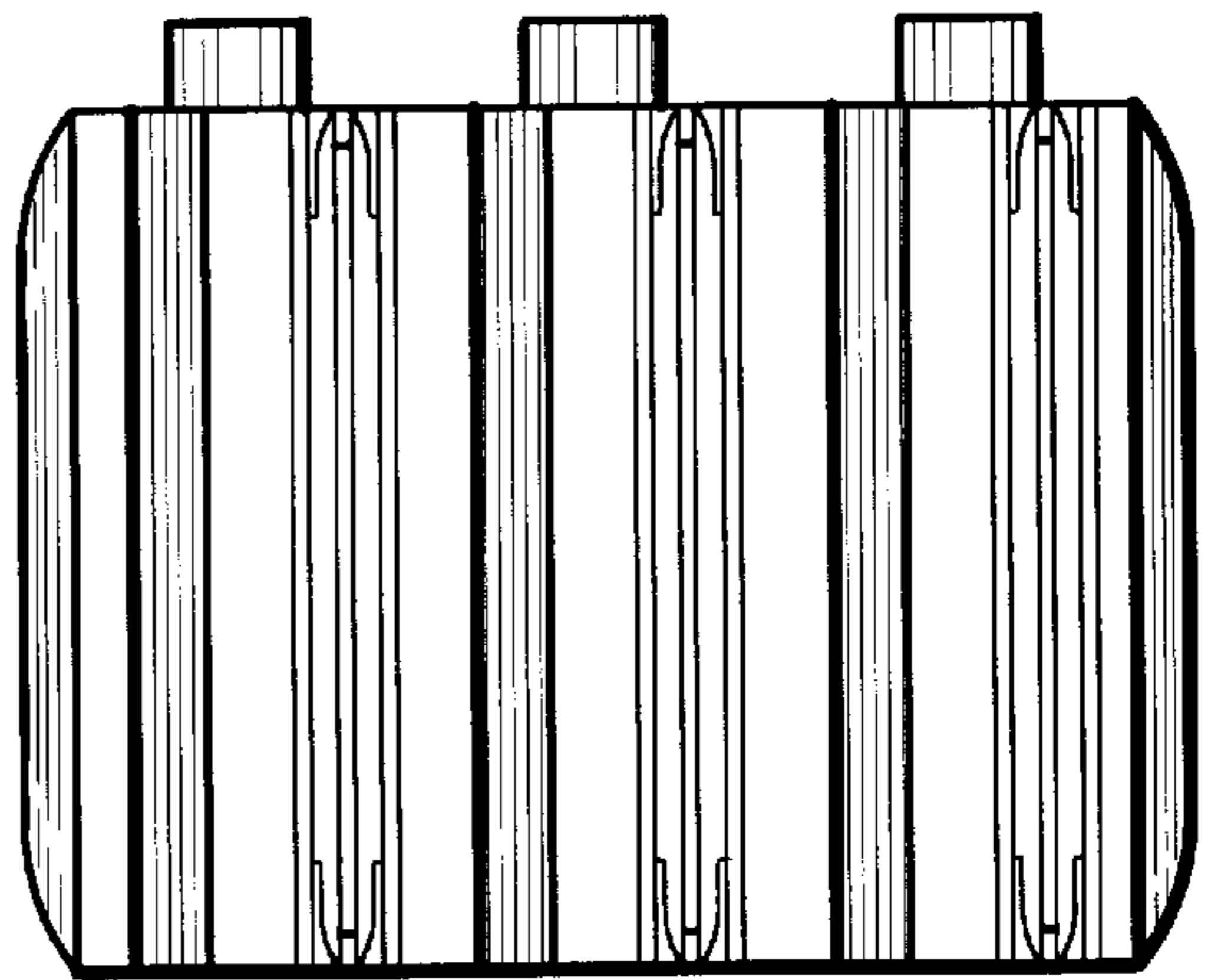


FIG. 7

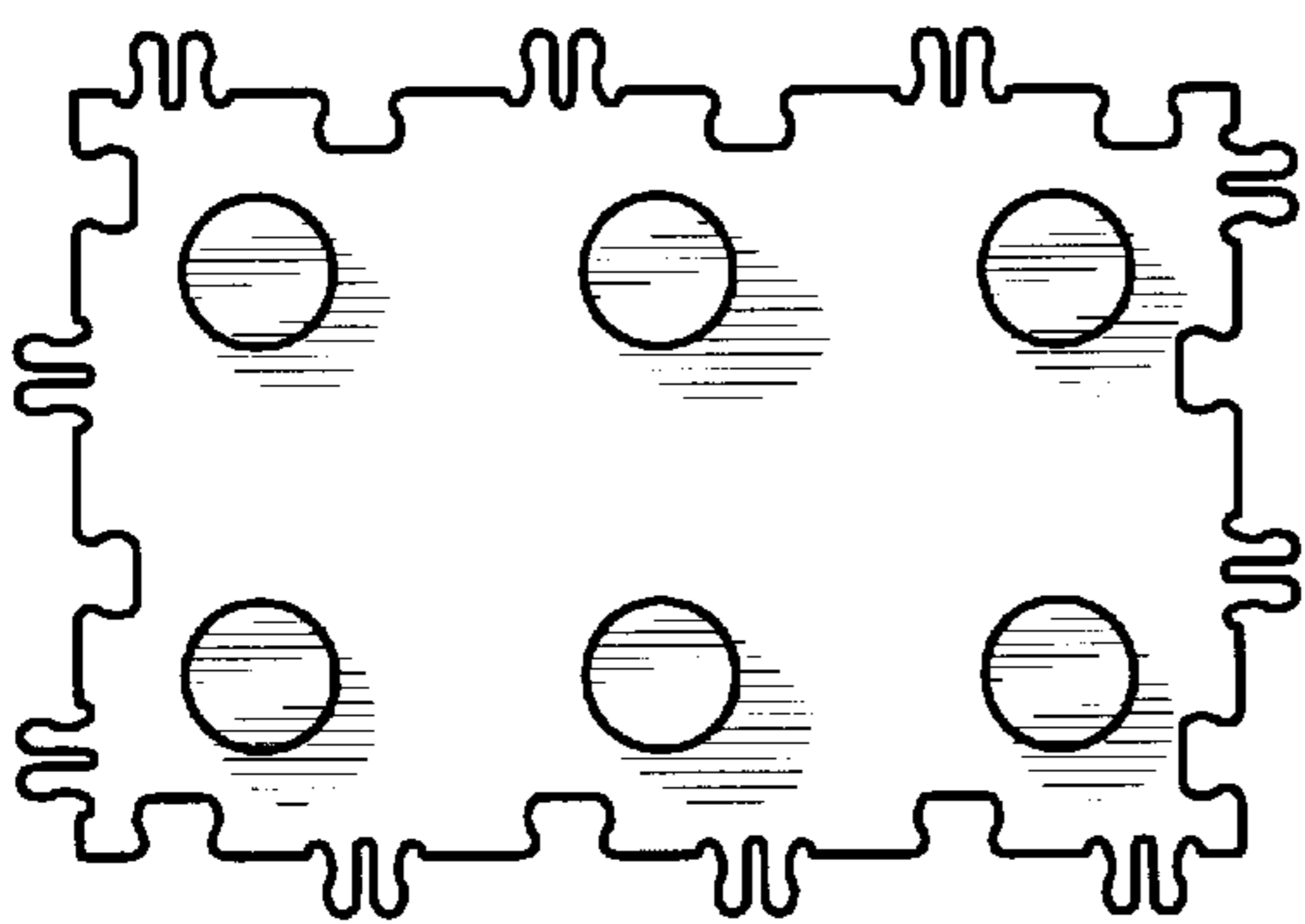


FIG. 8

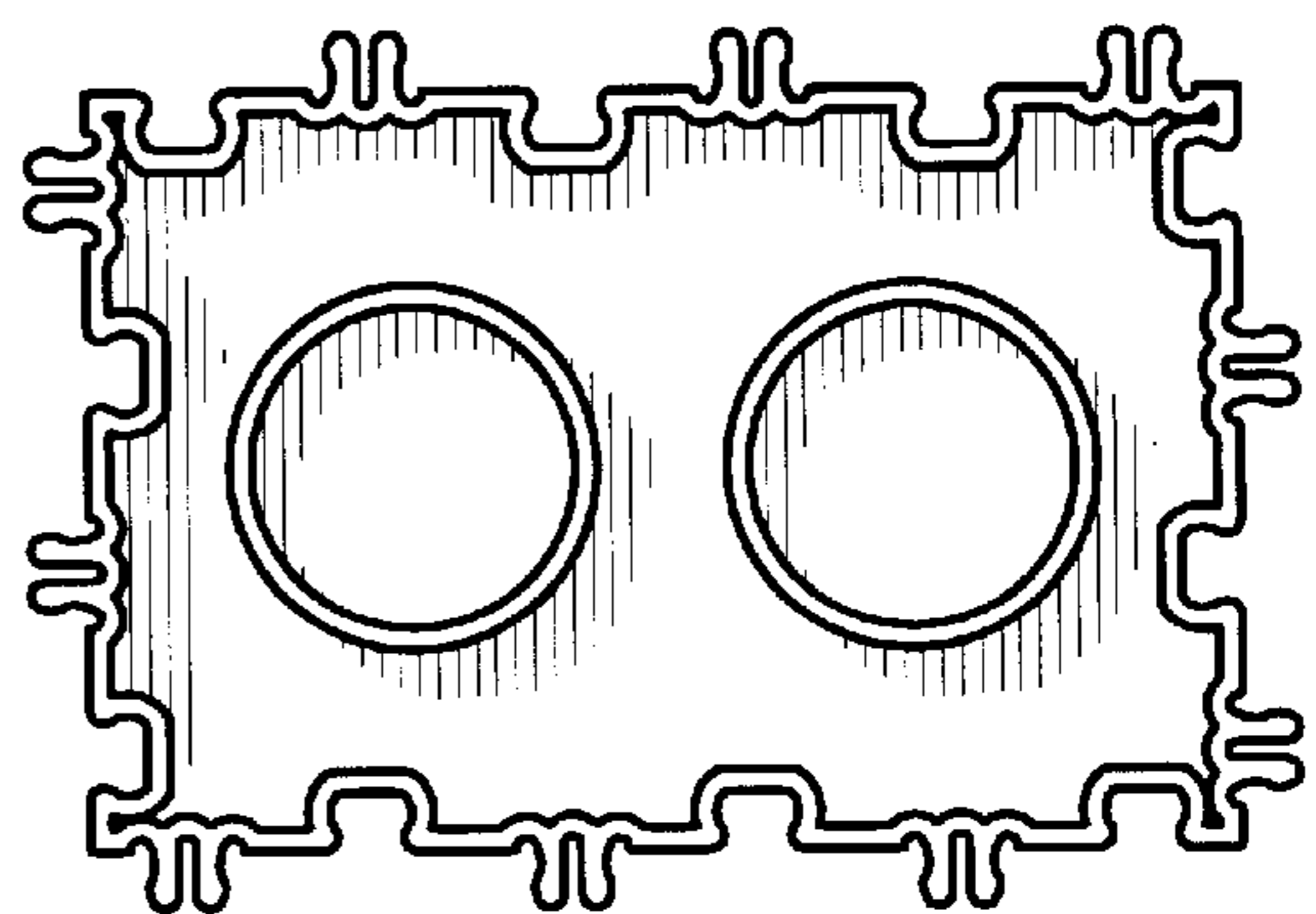


FIG. 9

UNITED STATES PATENT AND TRADEMARK OFFICE
CERTIFICATE OF CORRECTION

PATENT NO. : Des. 430,231
DATED : August 29, 2000
INVENTOR(S) : Soren Christian Sorensen

Page 1 of 1

It is certified that error appears in the above-identified patent and that said Letters Patent is hereby corrected as shown below:

Title page,

Item [76], Inventors, delete "**Andrew Moore**, 2502 Rice St.,
Chesapeake, Va. 23324"

Signed and Sealed this

Seventeenth Day of September, 2002

Attest:

A handwritten signature in black ink, appearing to read "James E. Rogan", written over a horizontal line.

Attesting Officer

JAMES E. ROGAN
Director of the United States Patent and Trademark Office