



US00D430224S

# United States Patent [19]

Tomita et al.

[11] Patent Number: Des. 430,224

[45] Date of Patent: \*\* Aug. 29, 2000

[54] HEAD SET FOR A GAME MACHINE

[75] Inventors: **Sejiro Tomita; Ichiro Katagiri; Masayuki Takahashi**, all of Tokyo, Japan

[73] Assignee: **Sony Corporation**, Japan

[\*\*] Term: **14 Years**

[21] Appl. No.: **29/108,847**

[22] Filed: **Aug. 4, 1999**

### Related U.S. Application Data

[62] Division of application No. 29/091,586, Jul. 31, 1998.

[51] LOC (7) Cl. .... **21-01**

[52] U.S. Cl. .... **D21/333**

[58] Field of Search ..... D21/324, 333, D21/325-328; 273/148 B; 463/1, 30-35, 46, 47, 49-52

### [56] References Cited

#### U.S. PATENT DOCUMENTS

D. 396,898	8/1998	Tsuda	.....	D21/327
D. 407,758	4/1999	Isetani et al.	.....	D21/326
4,558,864	12/1985	Medwedeff	.....	273/148 B
5,106,102	4/1992	Mitsumoto	.....	273/442

5,195,746	3/1993	Boyd et al.	.....	463/37
5,203,563	4/1993	Loper, III	.....	273/148 B
5,317,336	5/1994	Hall	.....	273/148 B X
5,659,899	8/1997	Soter et al.	.....	273/148 B X
5,807,177	9/1998	Takemoto et al.	.....	463/47

### OTHER PUBLICATIONS

Promotional material presented at trade show; International Amusement Park and Attraction Show; pp. 22-25, (Nov. 1997).

*Primary Examiner*—Prabhakar Deshmukh  
*Attorney, Agent, or Firm*—Rader, Fishman&Grauer

### [57] CLAIM

The ornamental design for a head set for a game machine, as shown and described.

### DESCRIPTION

FIG. 1 is a perspective view of a head set for a game machine showing our new design; FIG. 2 is a top plan view of thereof; FIG. 3 is a left side elevational view thereof; FIG. 4 is a front elevational view thereof; FIG. 5 is a bottom plan view thereof; FIG. 6 is a right side elevational view thereof; and, FIG. 7 is a rear elevational view thereof.

**1 Claim, 3 Drawing Sheets**

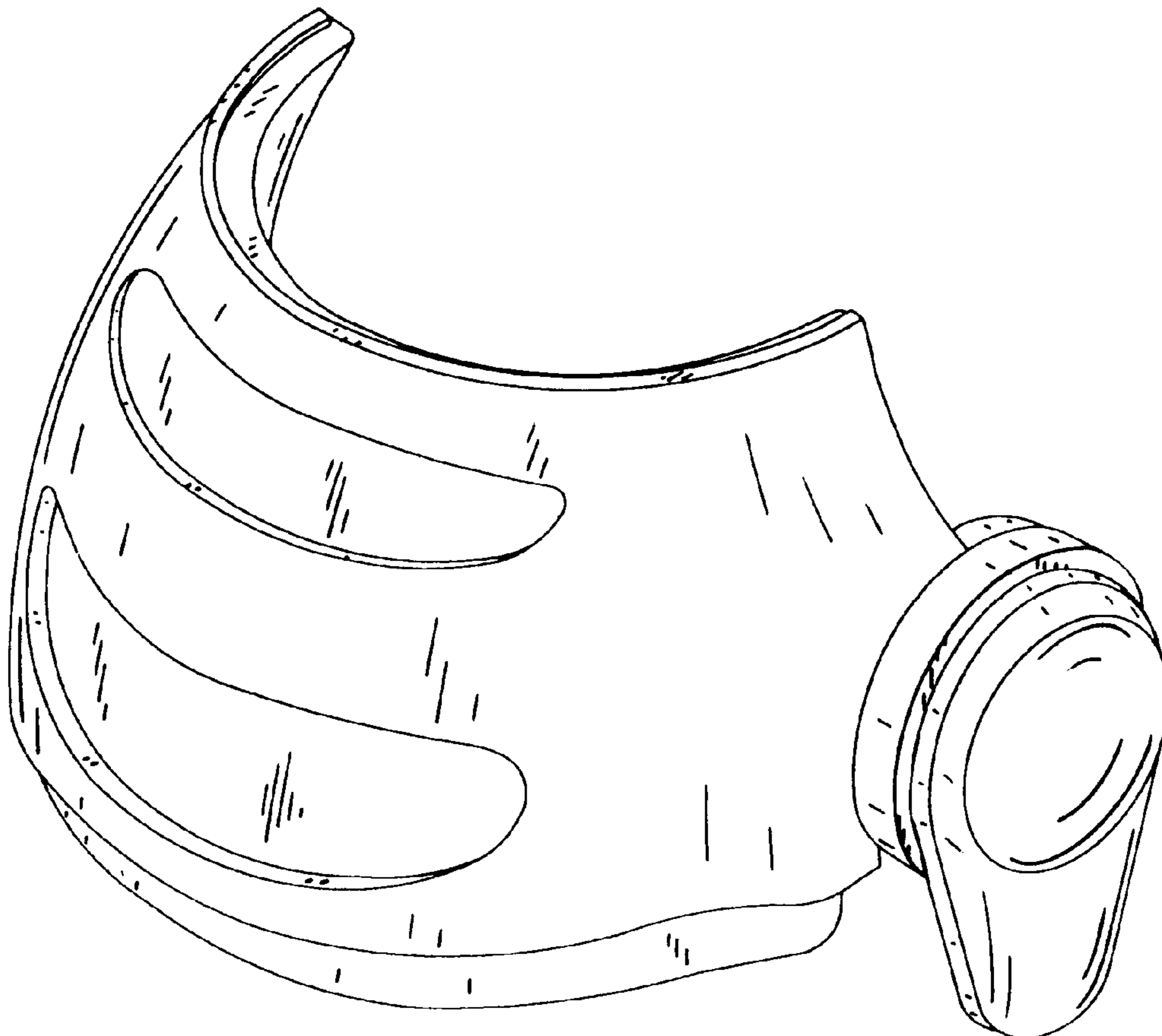


FIG. 1

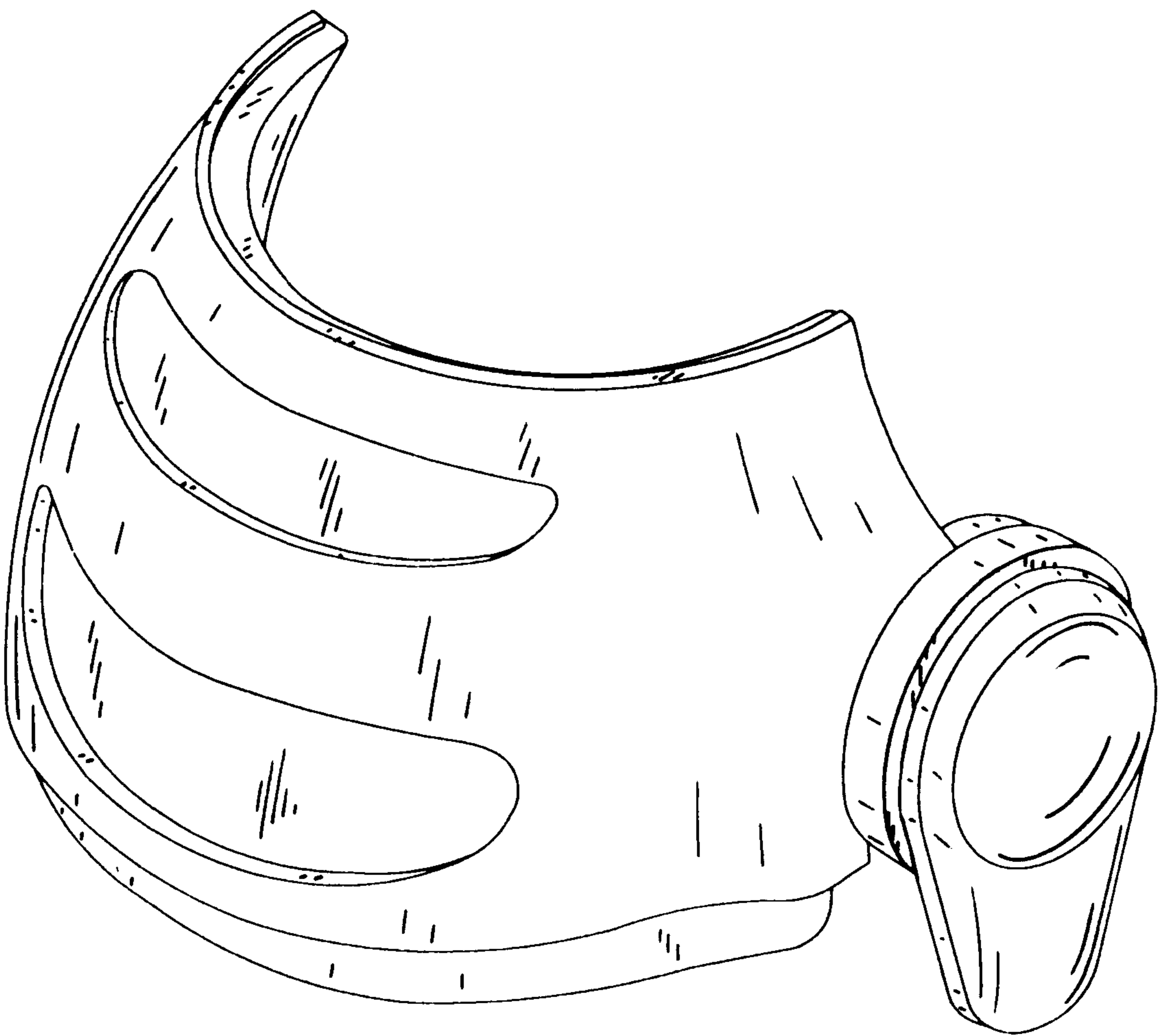


FIG. 2

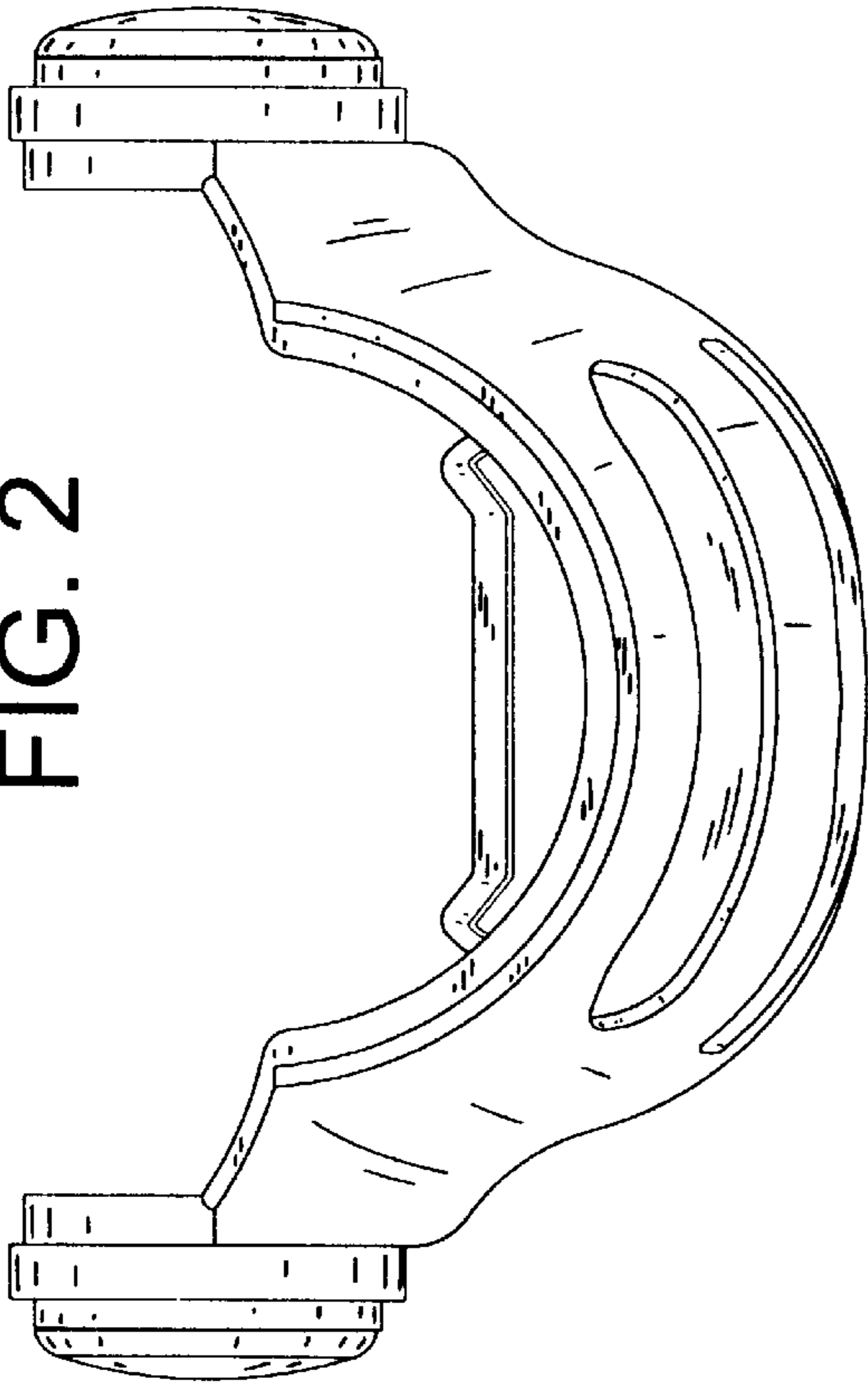


FIG. 4

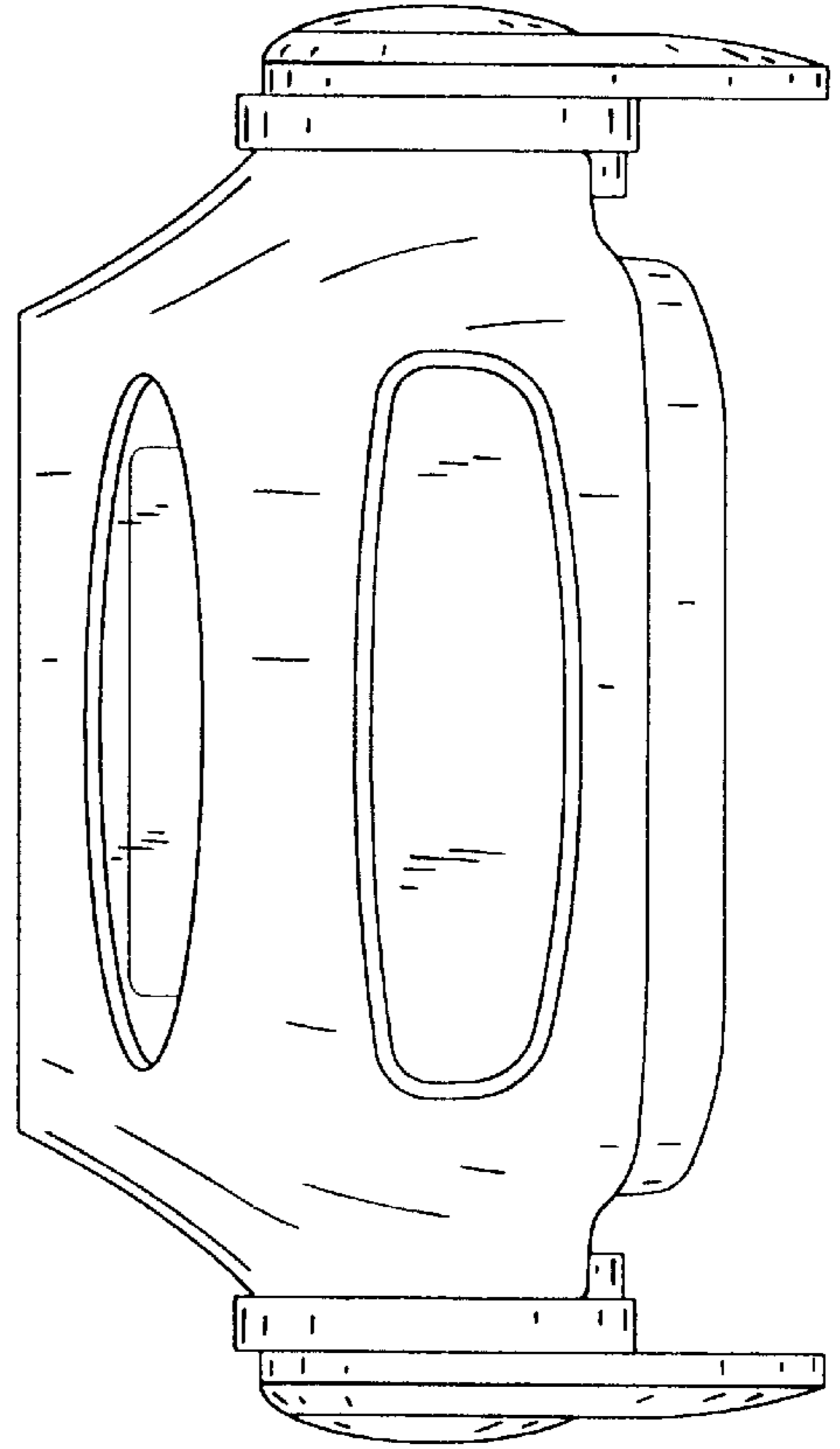


FIG. 3

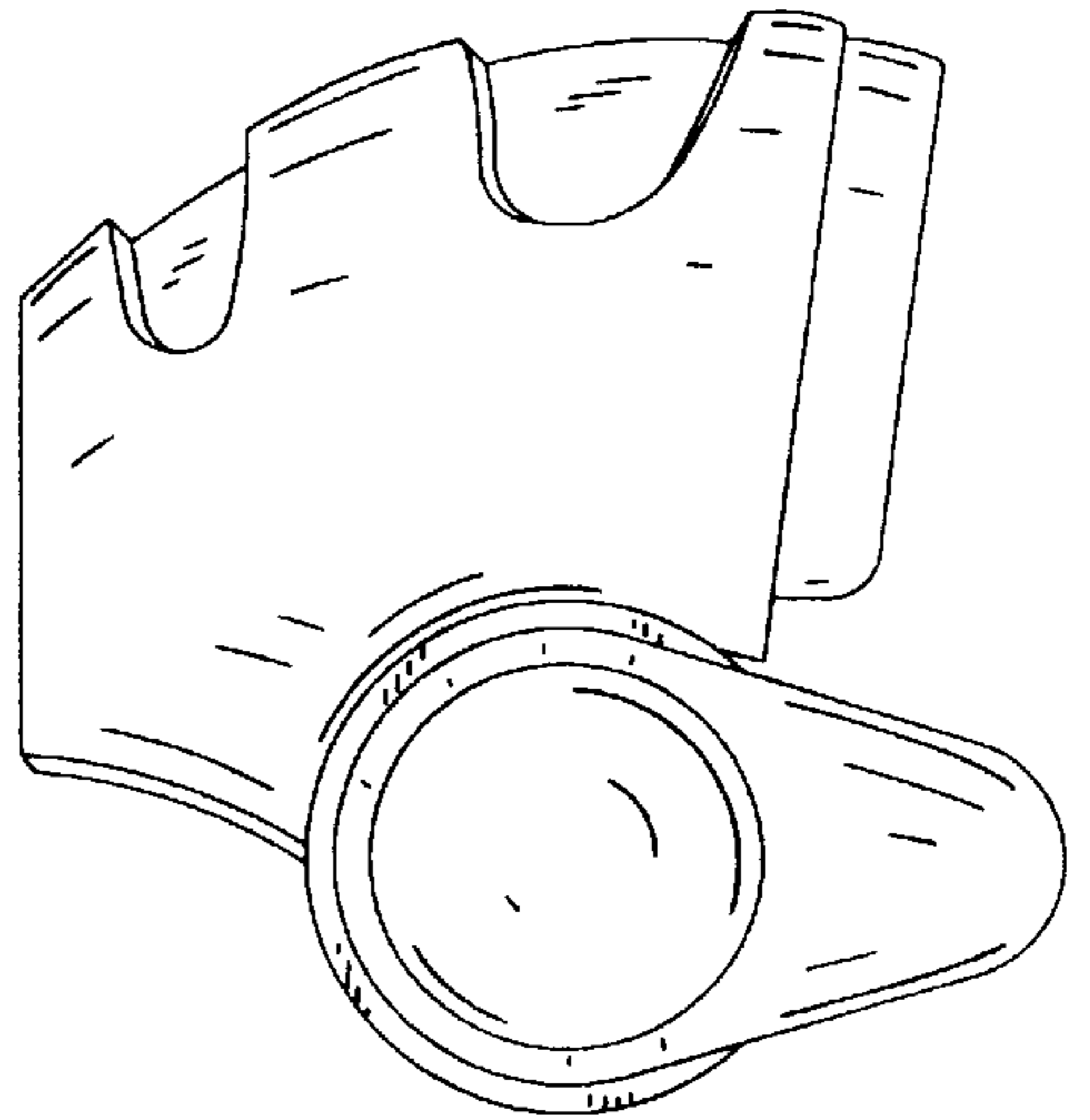


FIG. 7

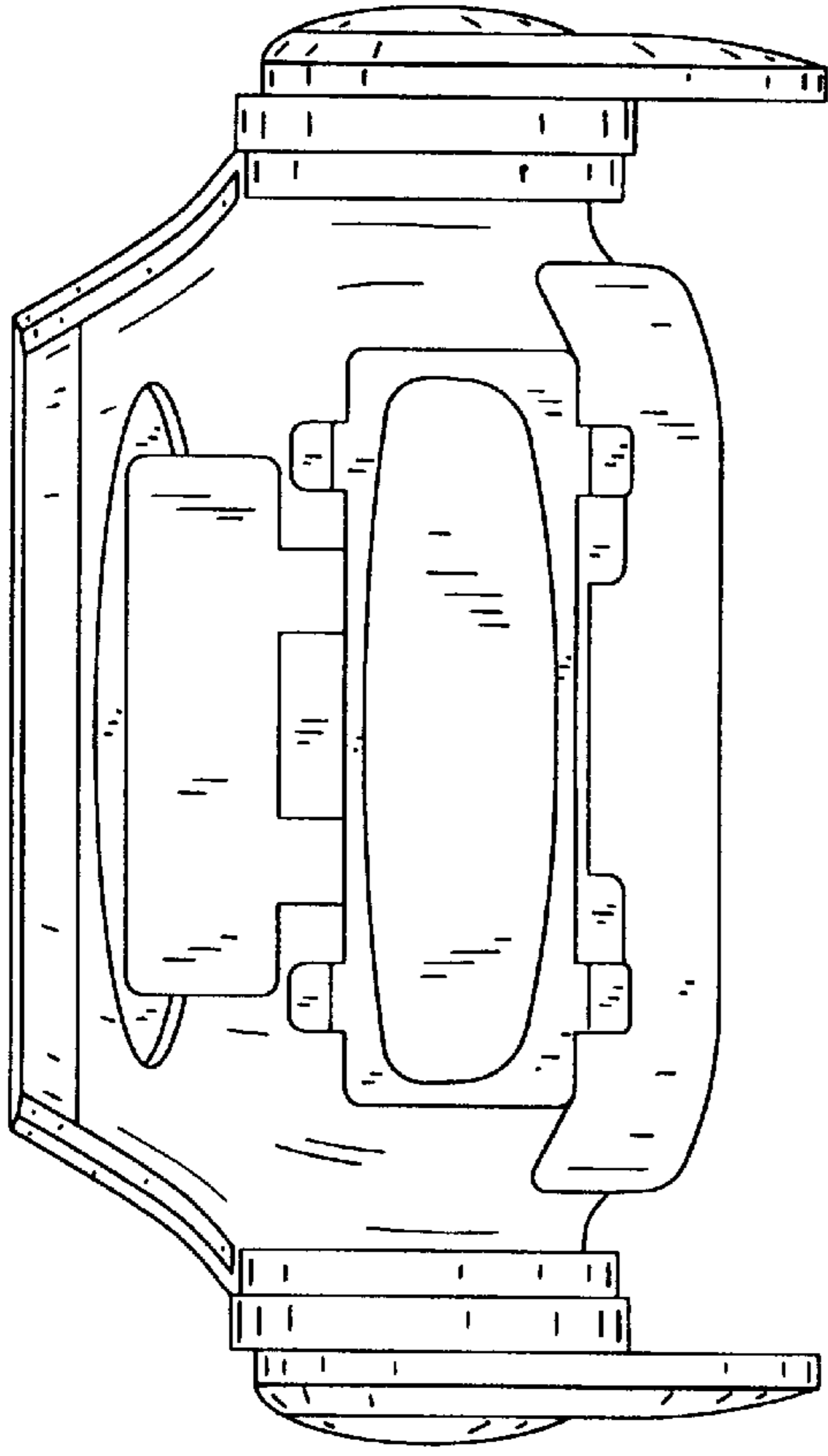


FIG. 5

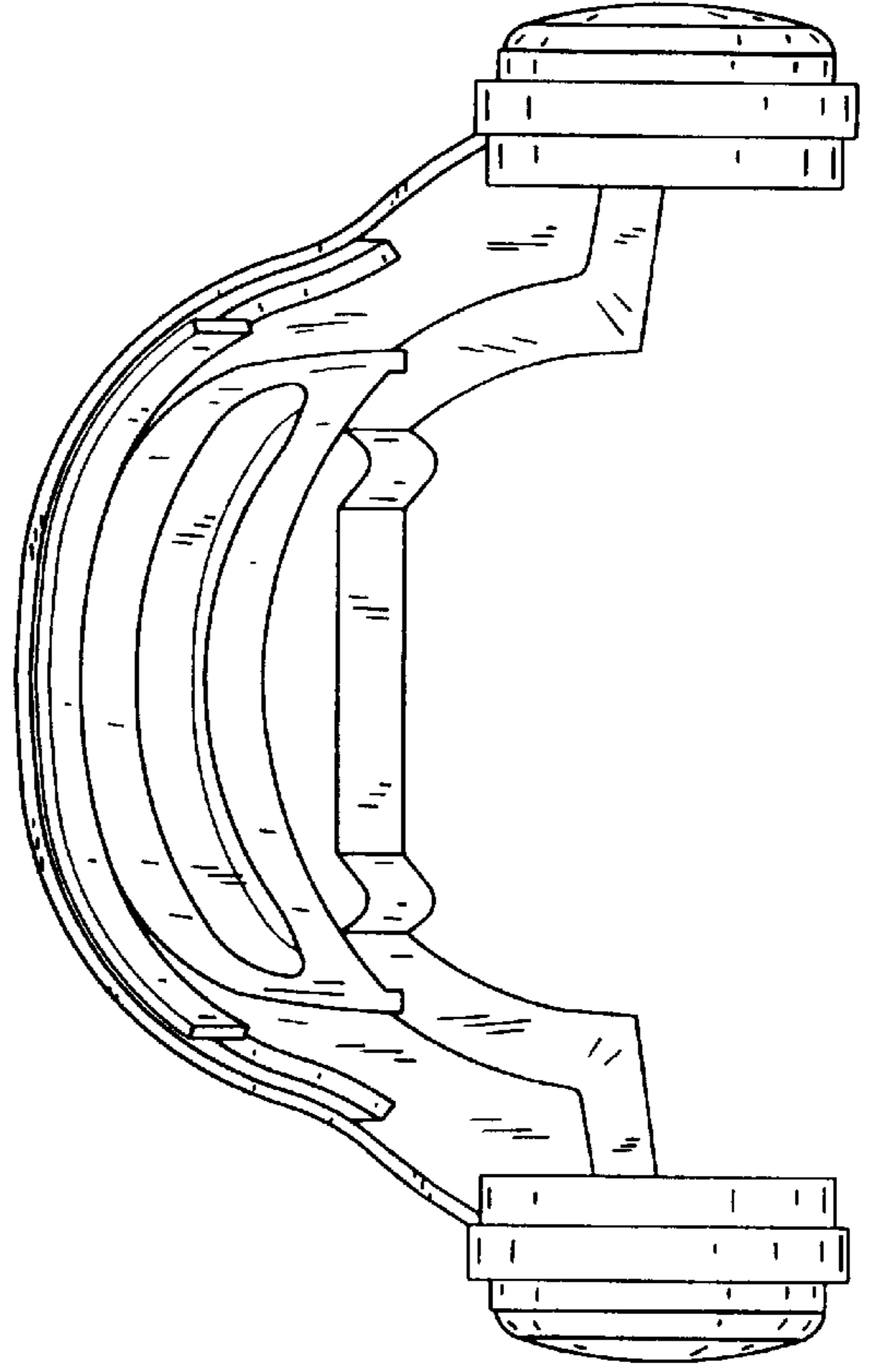


FIG. 6

