



US00D430215S

United States Patent [19]
Trombly

[11] **Patent Number: Des. 430,215**

[45] **Date of Patent: ** Aug. 29, 2000**

[54] **STATIONERY ORGANIZER**

[75] Inventor: **Edgar F. Trombly**, Wayne County, Mich.

[73] Assignee: **Punch Products, Inc.**, Rahway, N.J.

[**] Term: **14 Years**

[21] Appl. No.: **29/098,620**

[22] Filed: **Jan. 4, 1999**

[51] **LOC (7) Cl.** **19-02**

[52] **U.S. Cl.** **D19/77; D19/85; D19/99**

[58] **Field of Search** **D19/35, 36, 75, D19/77, 78, 81-85, 86, 92, 95, 99, 100; 206/214, 224, 371; 211/69.1-69.9; D20/22**

[56] **References Cited**

U.S. PATENT DOCUMENTS

D. 181,830	1/1958	Amburgh	D20/22
D. 217,040	3/1970	Smith	D19/77 X
D. 254,853	4/1980	Grunstad	D19/23
D. 264,224	5/1982	Henkels	D19/75

D. 317,627	6/1991	Lapadakis	D19/75
D. 339,824	9/1993	Ancona et al.	D19/77
D. 364,189	11/1995	Trombly	D19/77
D. 414,809	10/1999	Trombly	D19/78
3,327,688	6/1967	Smith	206/214

Primary Examiner—Martie K. Holtje
Attorney, Agent, or Firm—Howard C. Miskin

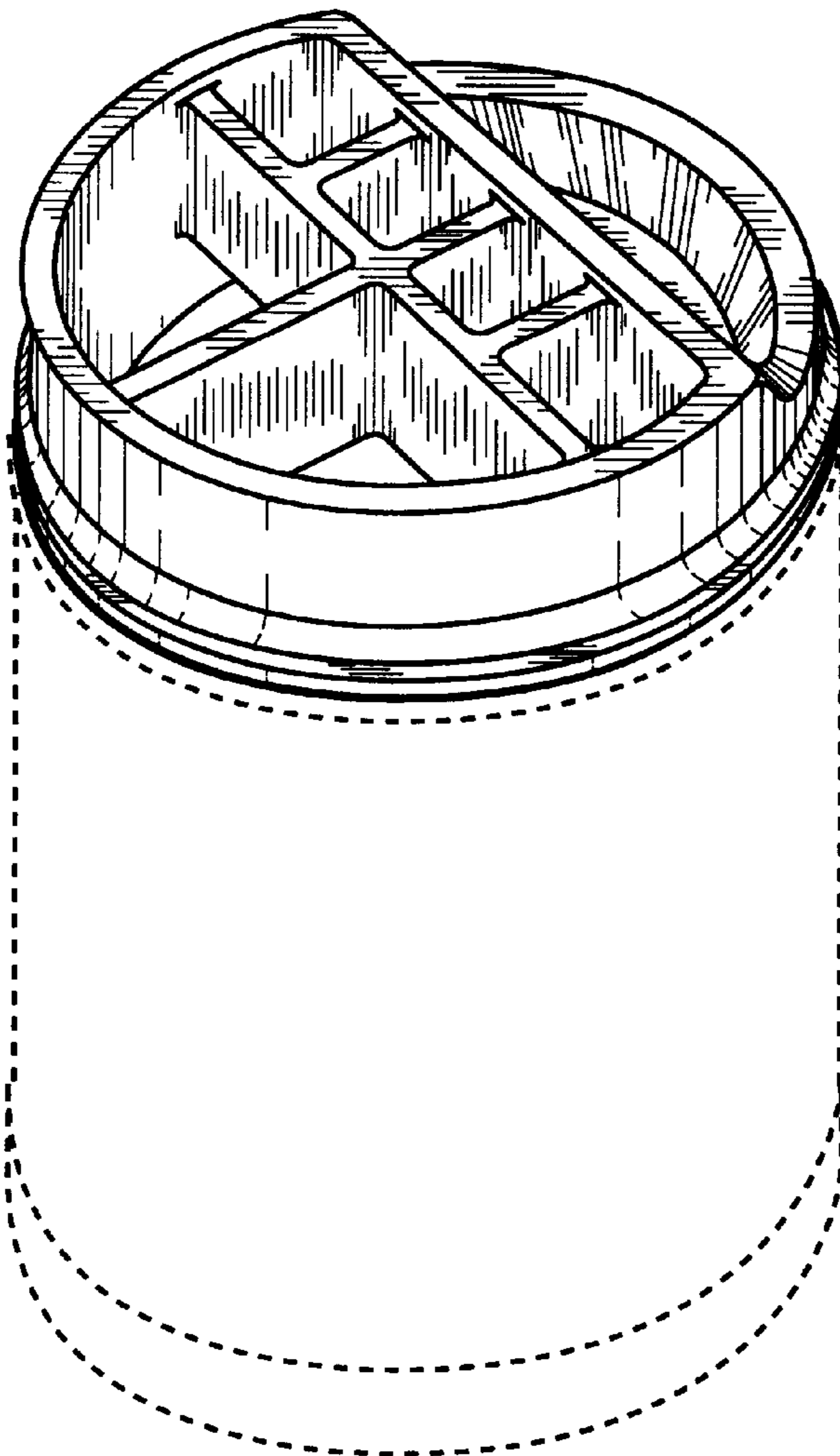
[57] **CLAIM**

The ornamental design for a stationery organizer, as shown and described.

DESCRIPTION

FIG. 1 is a perspective view of my new design, the broken line showing of a cylindrical base is for illustrative purposes only and forms no part of the claimed design; FIG. 2 is a top plan view; FIG. 3 is a bottom plan view; FIG. 4 is a rear elevational view; FIG. 5 is a front elevational view; FIG. 6 is a left side view; and, FIG. 7 is a right side view thereof.

1 Claim, 3 Drawing Sheets



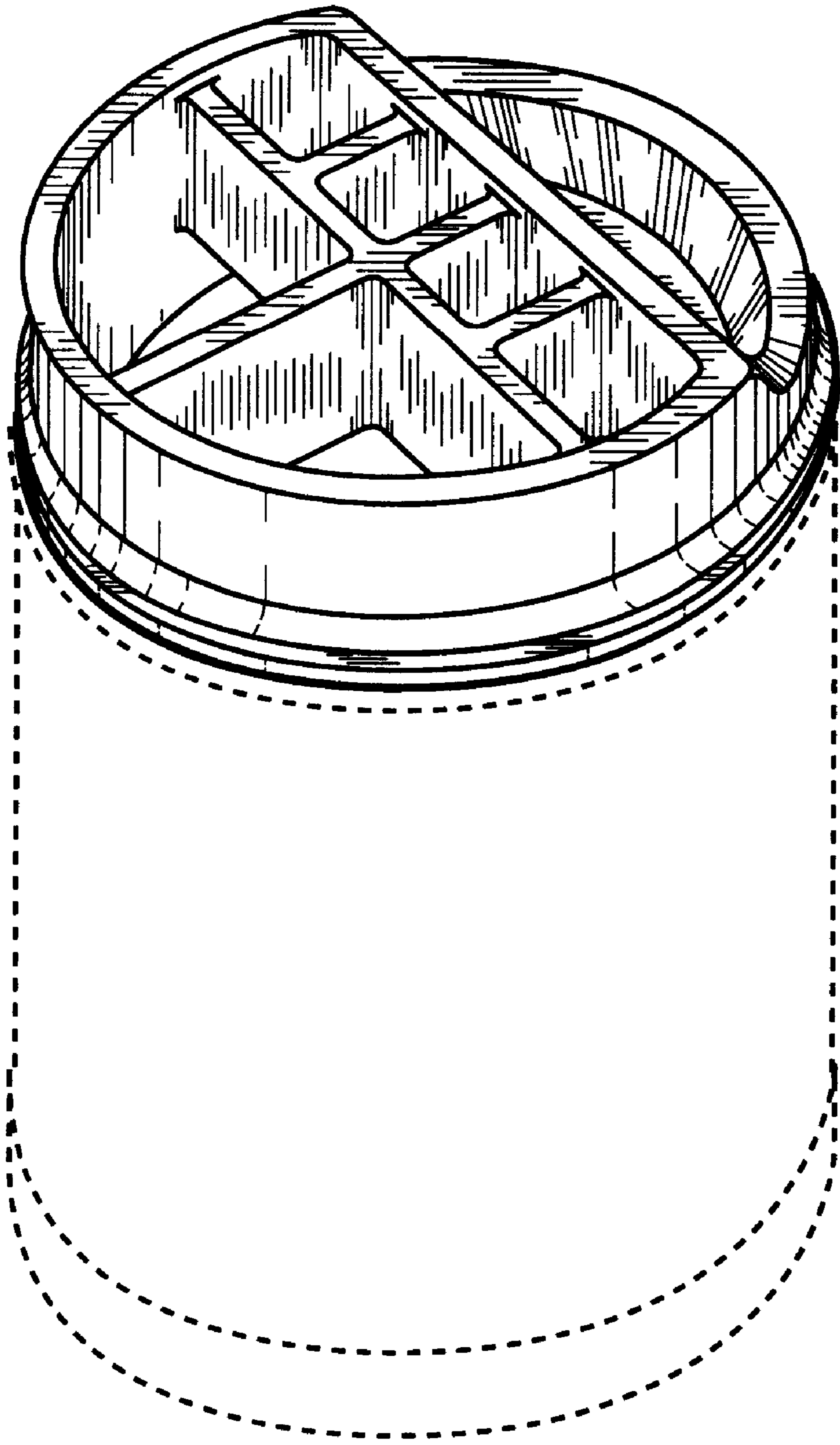


FIG. 1

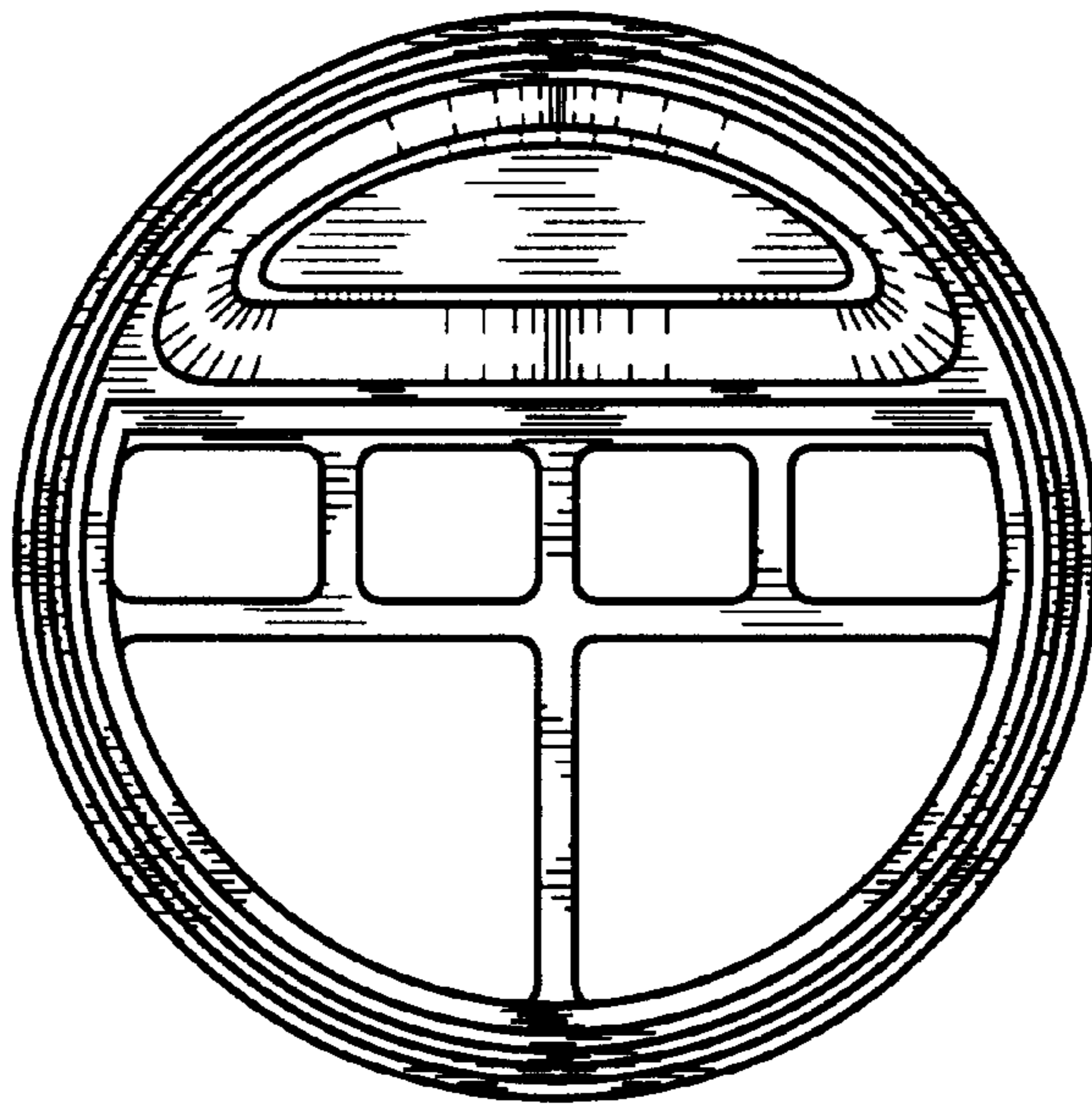


FIG. 2

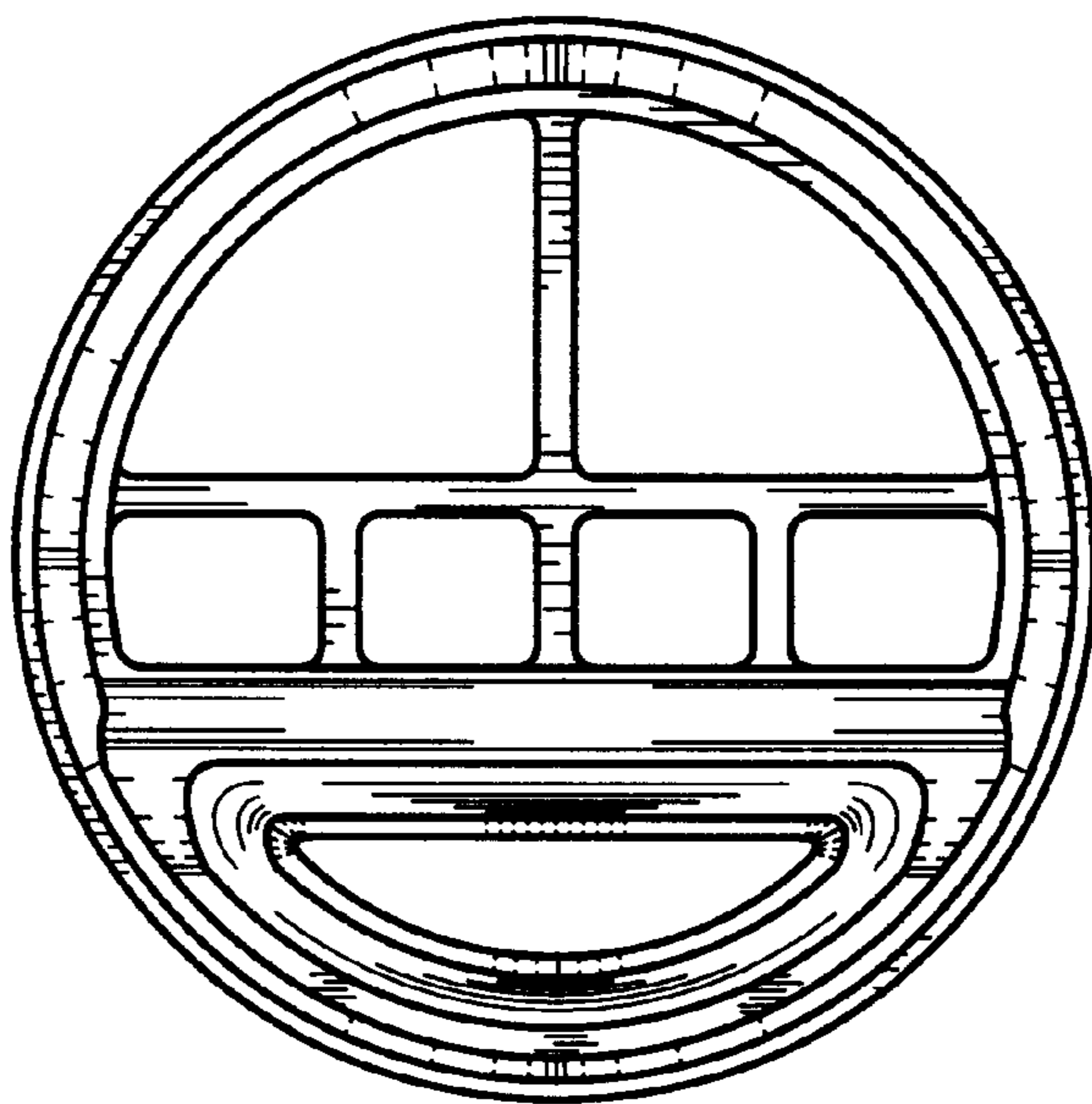


FIG. 3

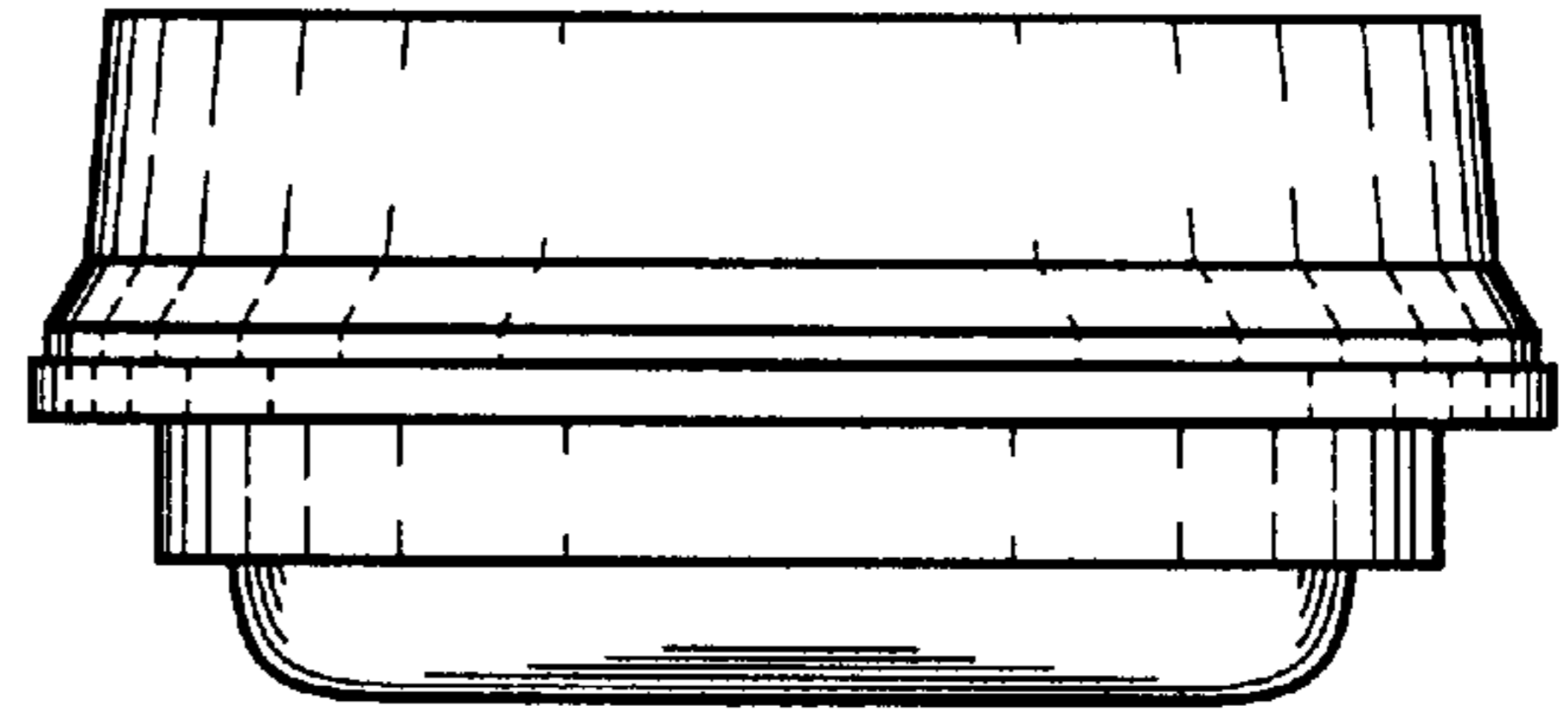


FIG. 4

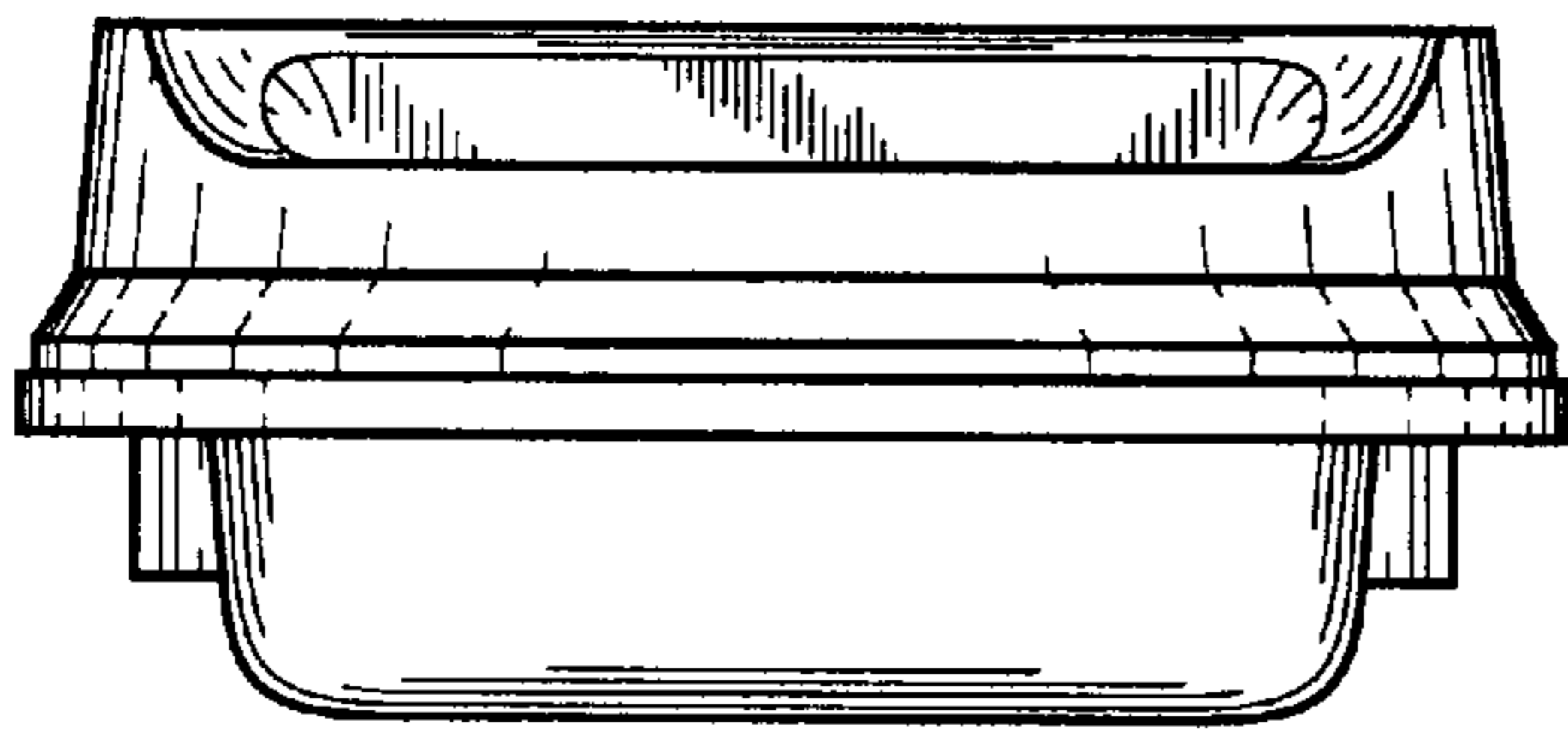


FIG. 5



FIG. 6

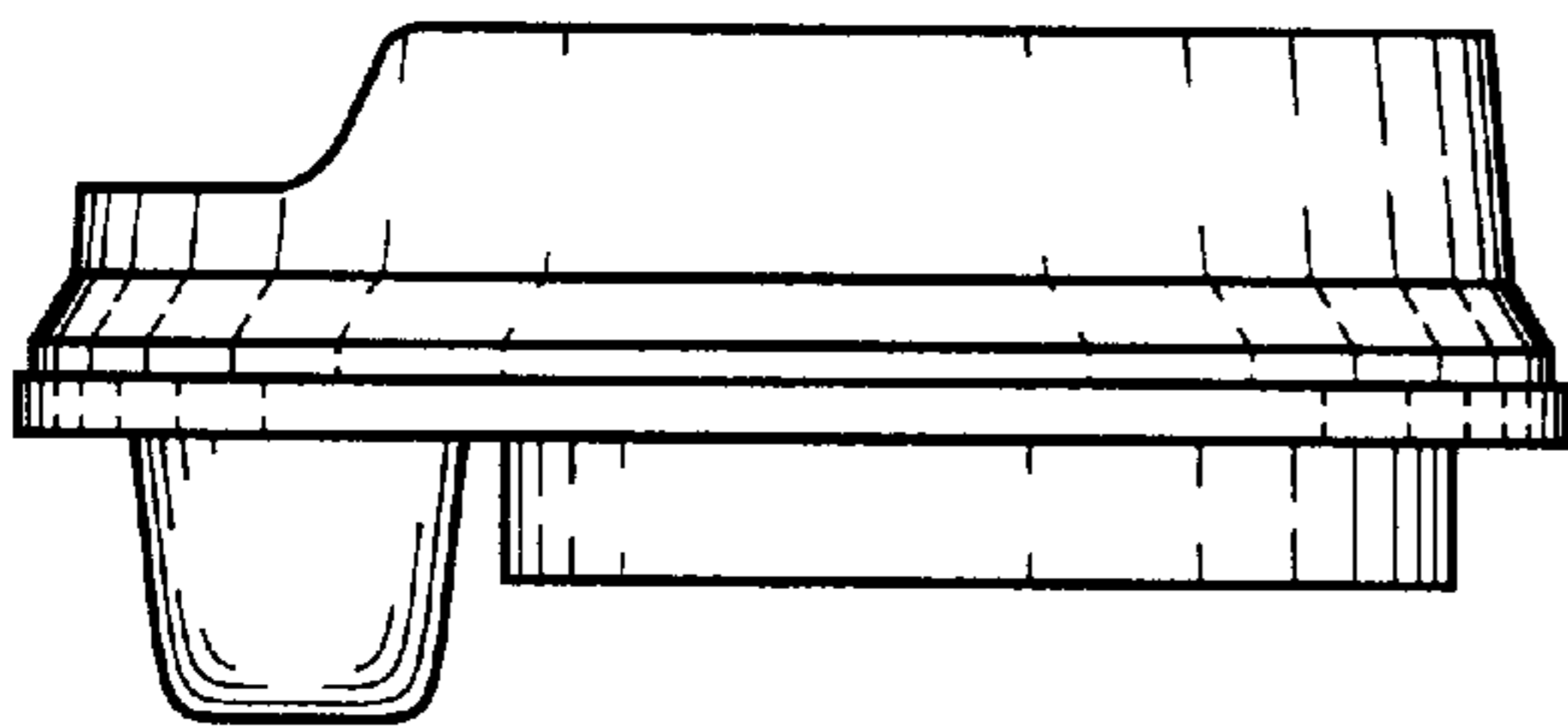


FIG. 7