



US00D430214S

# United States Patent [19] Palmer

[11] **Patent Number: Des. 430,214**

[45] **Date of Patent: \*\* Aug. 29, 2000**

[54] **PAPER CLIP HOLDER**

[76] Inventor: **Gregg E. Palmer**, 15014 Wirt Cir.,  
Omaha, Nebr. 68116

[\*\*] Term: **14 Years**

[21] Appl. No.: **29/102,169**

[22] Filed: **Mar. 18, 1999**

[51] **LOC (7) Cl. .... 19-02**

[52] **U.S. Cl. .... D19/75; D19/82; D19/97;  
D29/106**

[58] **Field of Search .... D19/36, 65, 75,  
D19/82, 94, 96, 97, 99, 100; D29/106;  
40/358; 206/214, 224, 371, 338, 350, 457,  
818; 221/212, 312 C**

[56] **References Cited**

**U.S. PATENT DOCUMENTS**

|            |         |                       |           |
|------------|---------|-----------------------|-----------|
| D. 249,272 | 9/1978  | Sommerfeld .....      | D19/75    |
| D. 303,397 | 9/1989  | Heng .....            | D19/75    |
| D. 316,566 | 4/1991  | Sun .....             | D19/75    |
| D. 332,507 | 1/1993  | Anderson et al. ....  | D29/106   |
| D. 352,333 | 11/1994 | Lieberman .....       | D29/106 X |
| D. 383,953 | 9/1997  | DeFilippo .....       | D29/106 X |
| D. 408,236 | 4/1999  | Rennick .....         | D29/106 X |
| D. 420,670 | 2/2000  | Hernandez et al. .... | D29/106 X |
| 3,263,236  | 8/1966  | Humphrey .....        | D29/106   |
| 4,658,523  | 4/1987  | Adell .....           | 40/1      |

*Primary Examiner*—Martie K. Holtje  
*Attorney, Agent, or Firm*—Koley Jessen P.C.; Mark D. Frederiksen

[57] **CLAIM**

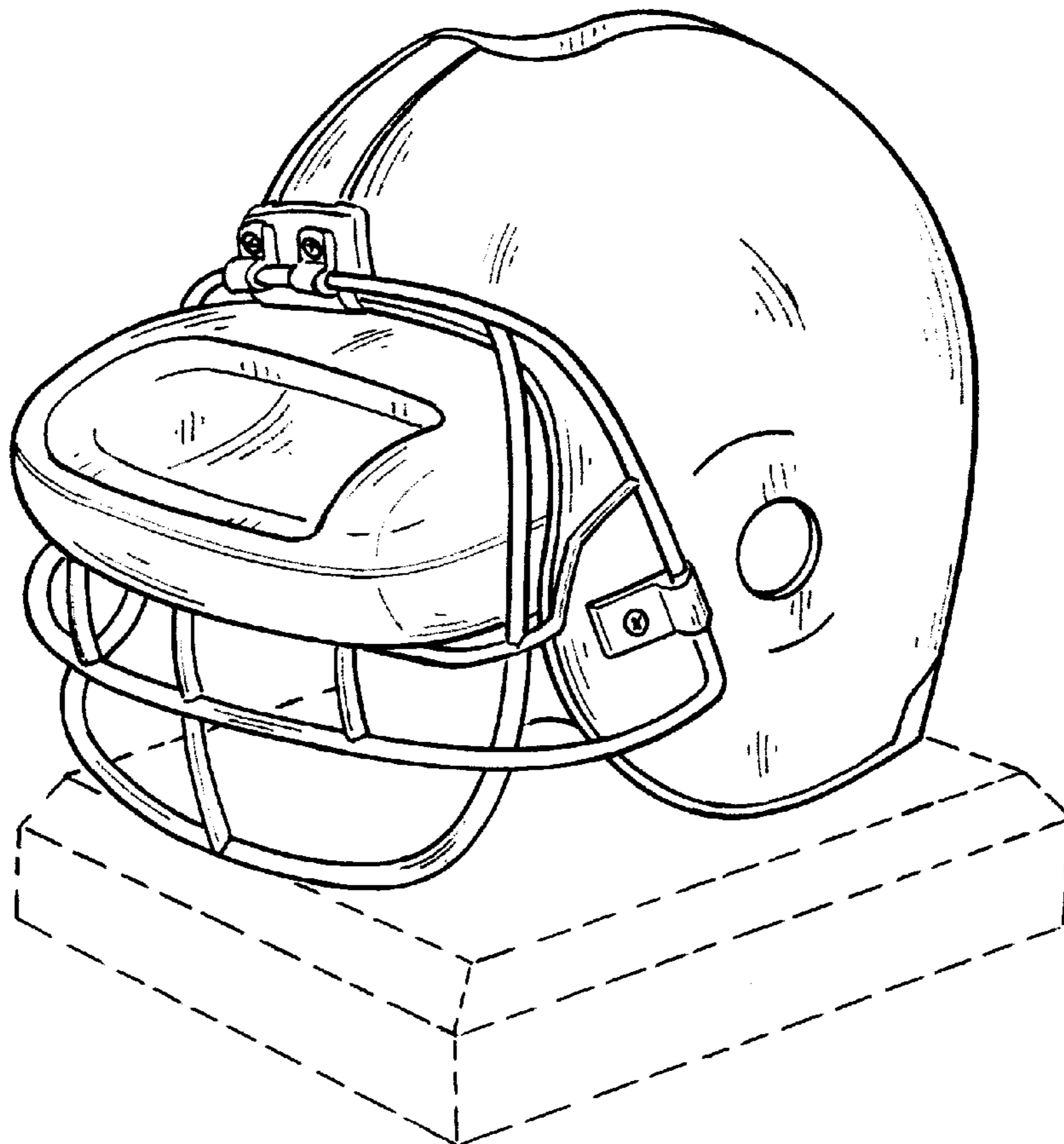
The ornamental design for a paper clip holder, as shown and described.

**DESCRIPTION**

FIG. 1 is a perspective view of the paper clip holder showing my new design;  
 FIG. 2 is a front elevational view thereof;  
 FIG. 3 is an elevational view taken from the right side of FIG. 2, the left elevational view being a mirror image;  
 FIG. 4 is a rear elevational view thereof;  
 FIG. 5 is a top plan view thereof;  
 FIG. 6 is a bottom plan view thereof;  
 FIG. 7 is a perspective view of a second embodiment of the paper clip holder showing my new design;  
 FIG. 8 is a front elevational view thereof;  
 FIG. 9 is an elevational view taken from the right side of FIG. 8, the left elevational view being a mirror image thereof;  
 FIG. 10 is a rear elevational view thereof;  
 FIG. 11 is a top plan view thereof; and,  
 FIG. 12 is a bottom plan view thereof.

The broken line shown in FIGS. 1–12 is included for the purpose of illustrating environmental structure only, and forms no part of the claimed design.

**1 Claim, 4 Drawing Sheets**



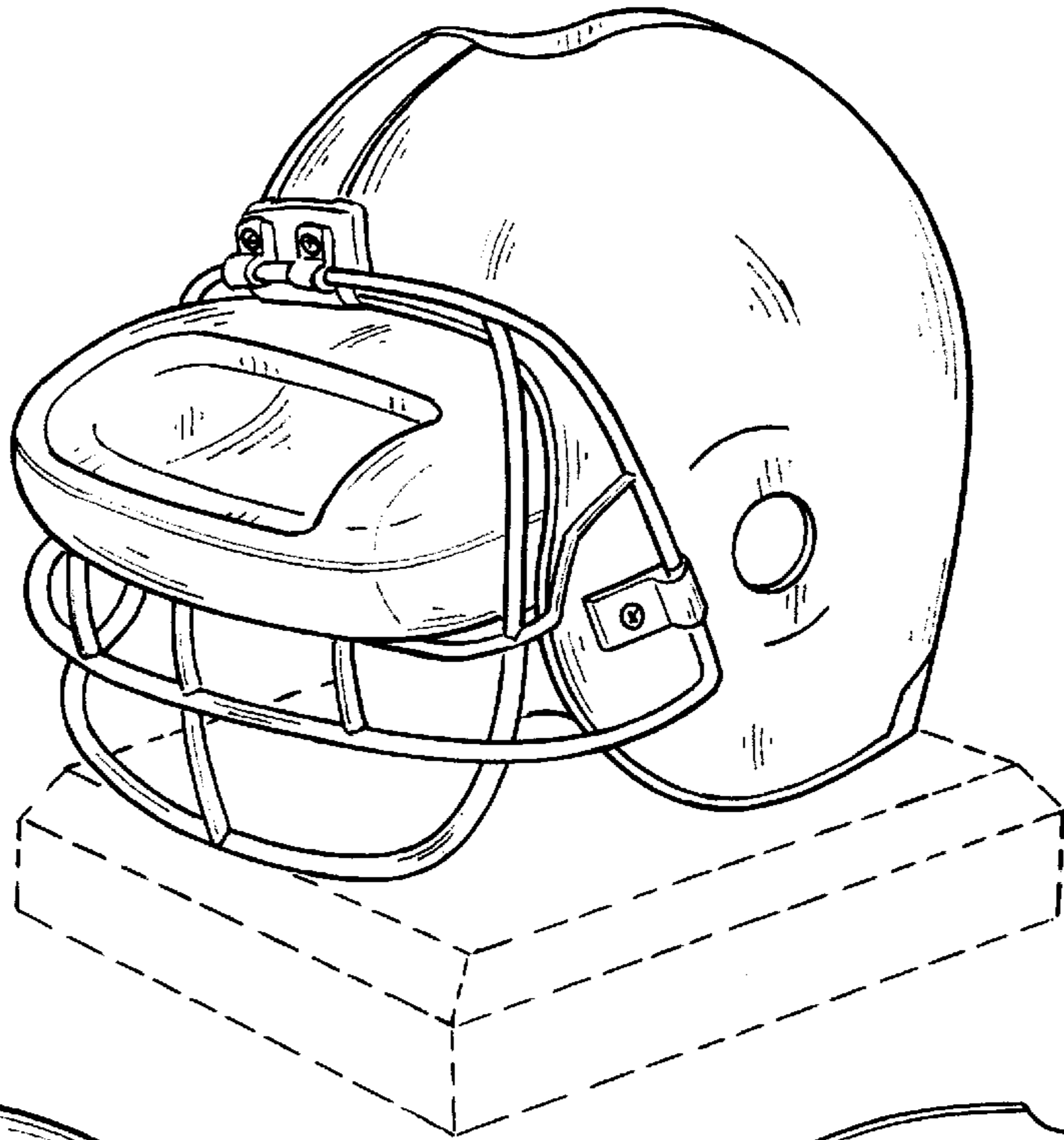


FIG. 1

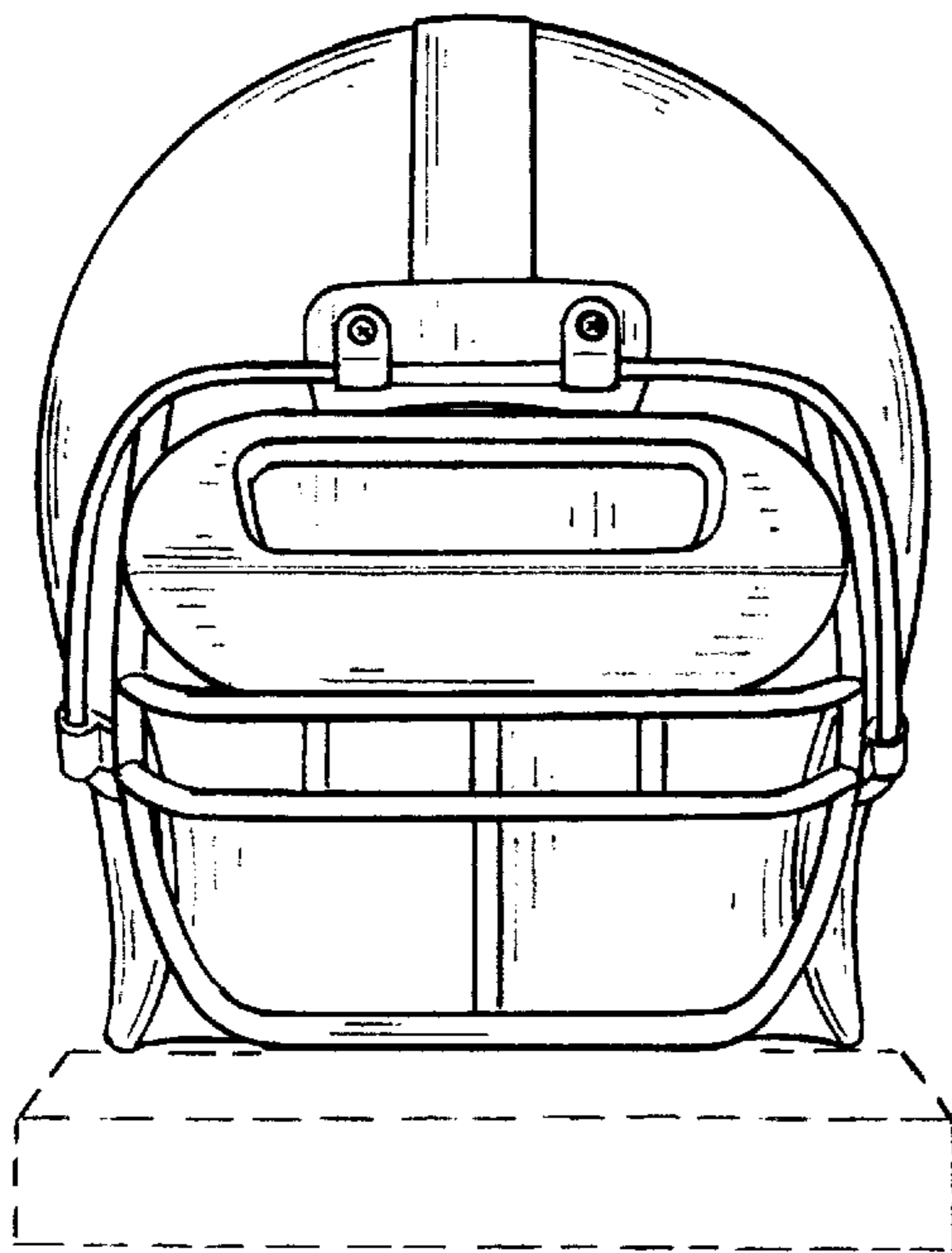


FIG. 2

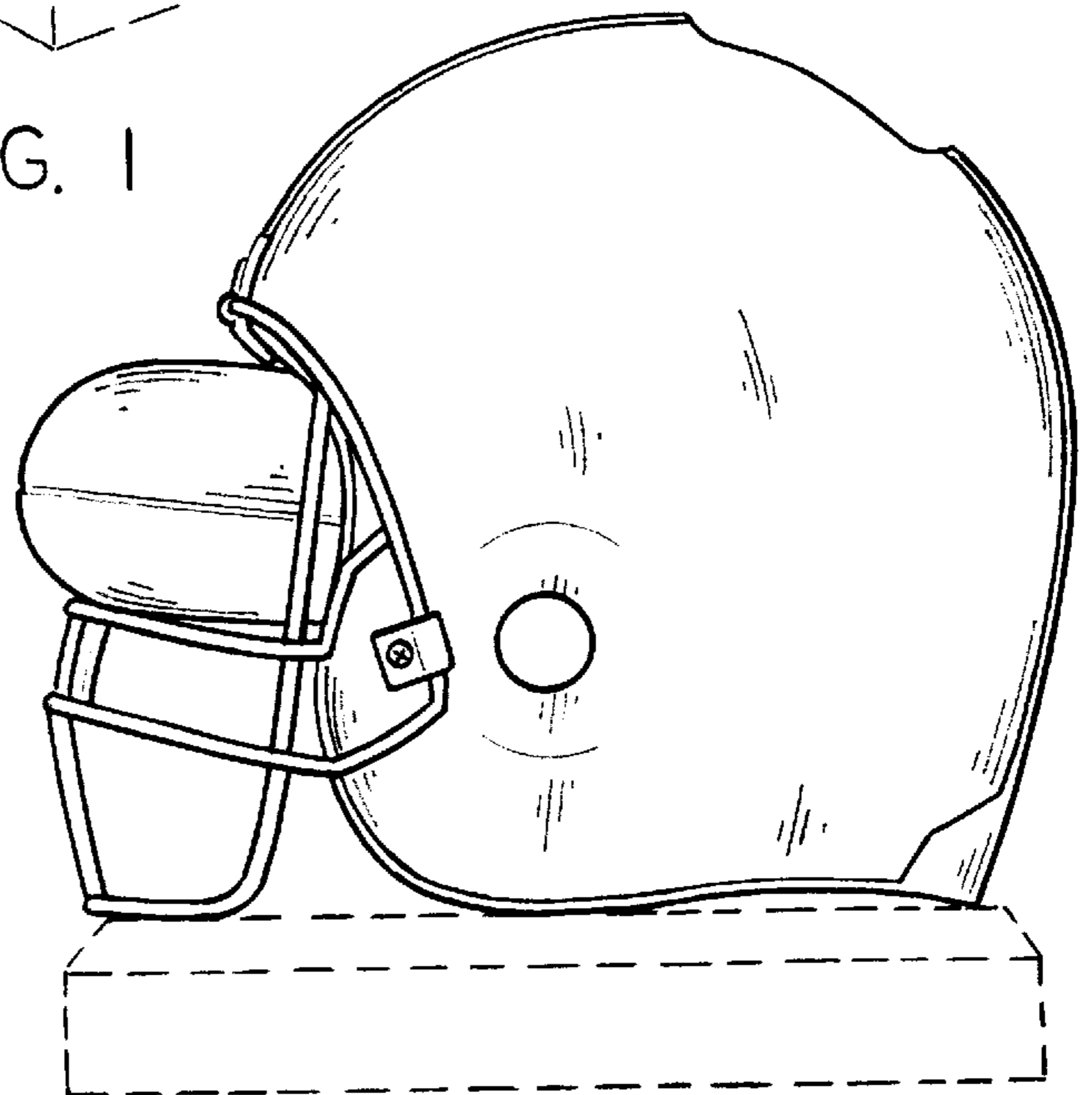


FIG. 3

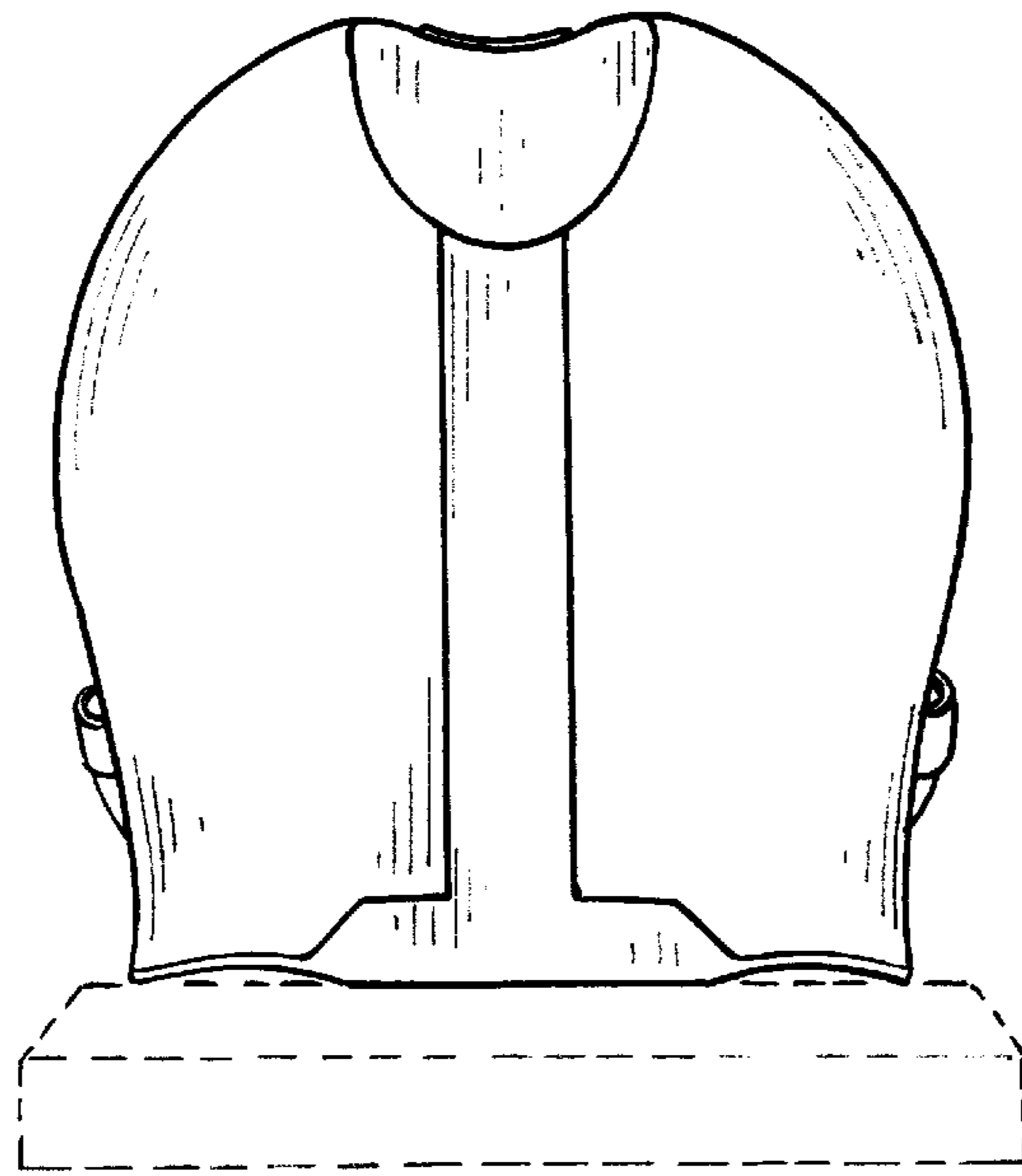


FIG. 4

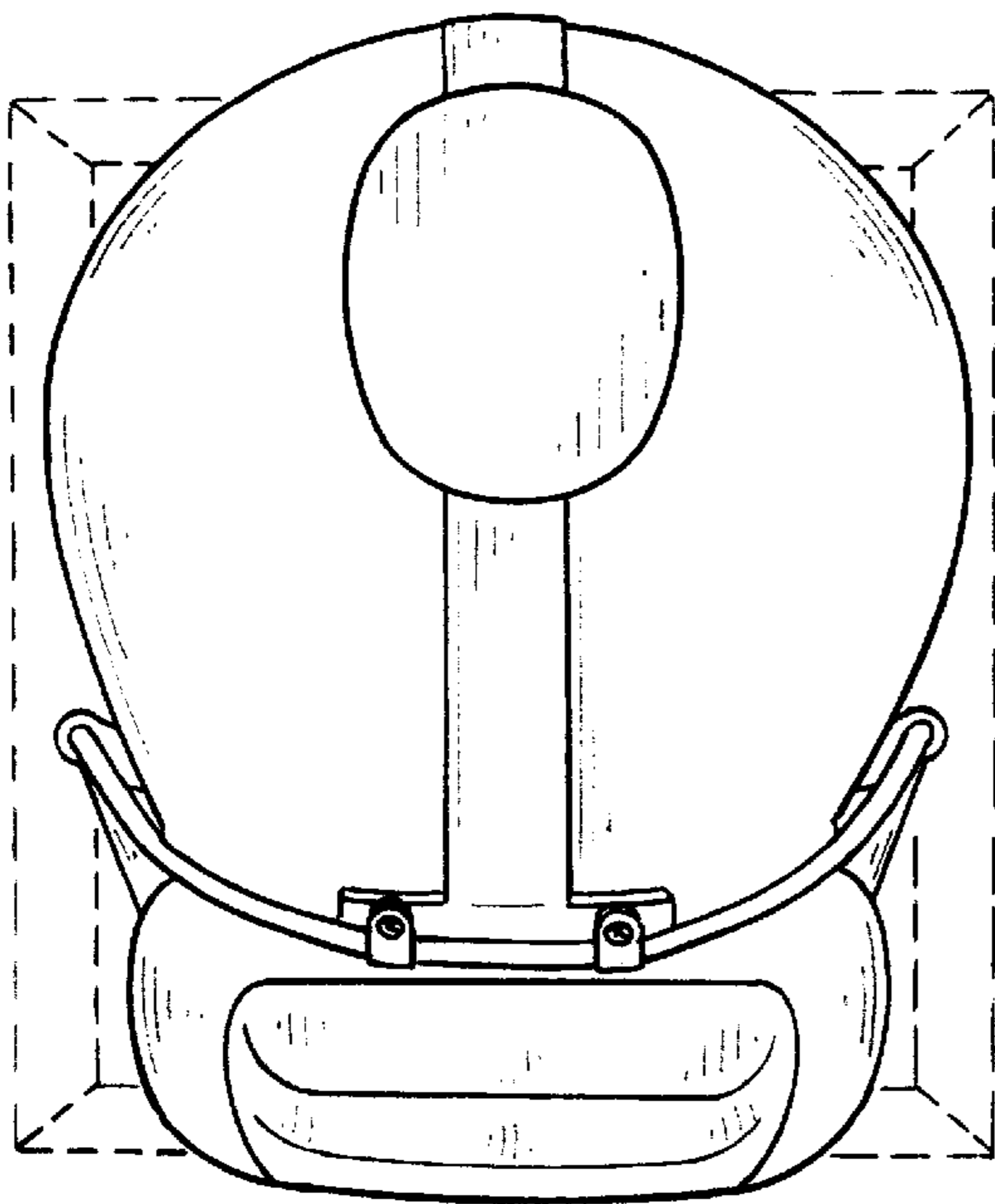


FIG. 5

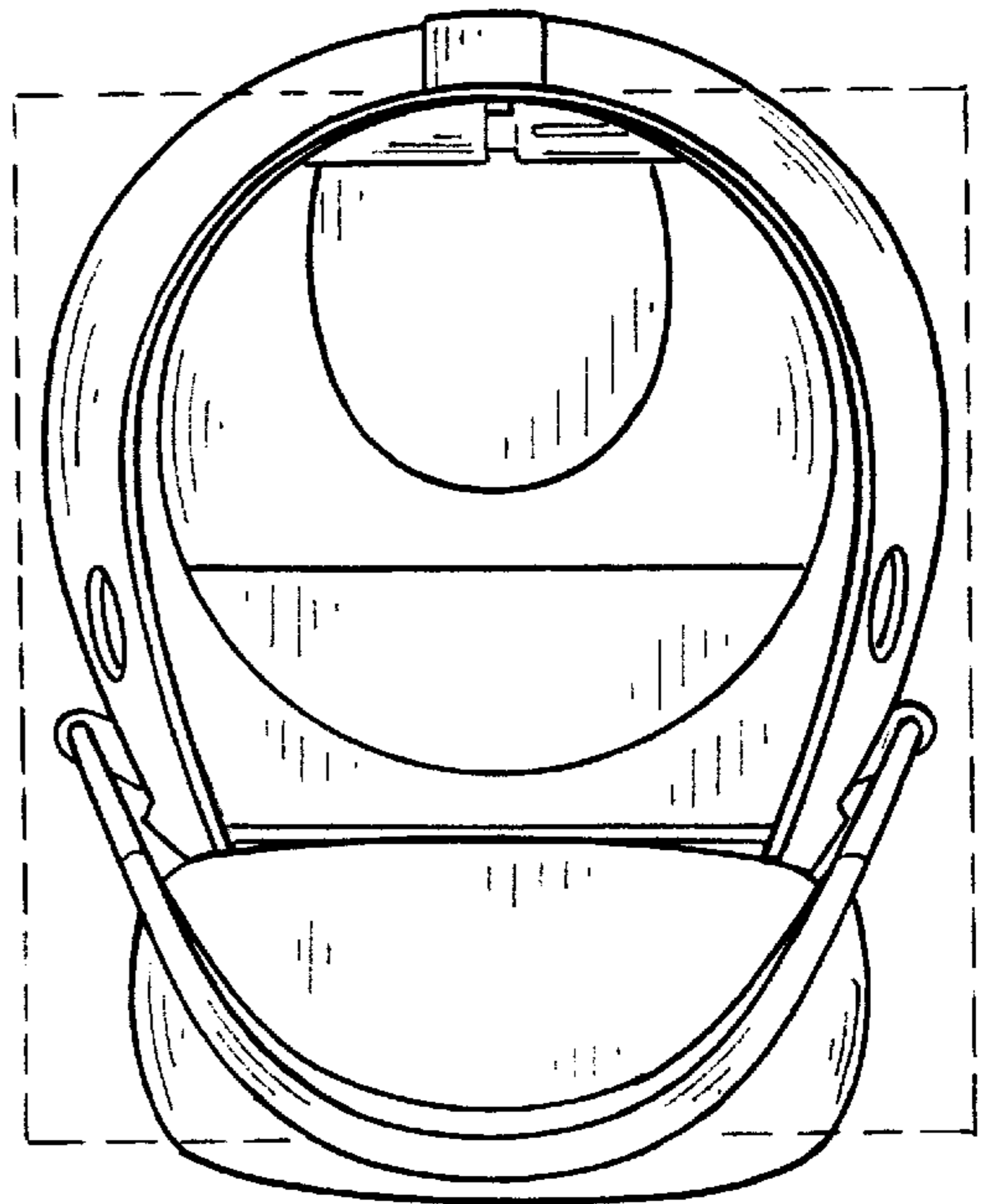


FIG. 6



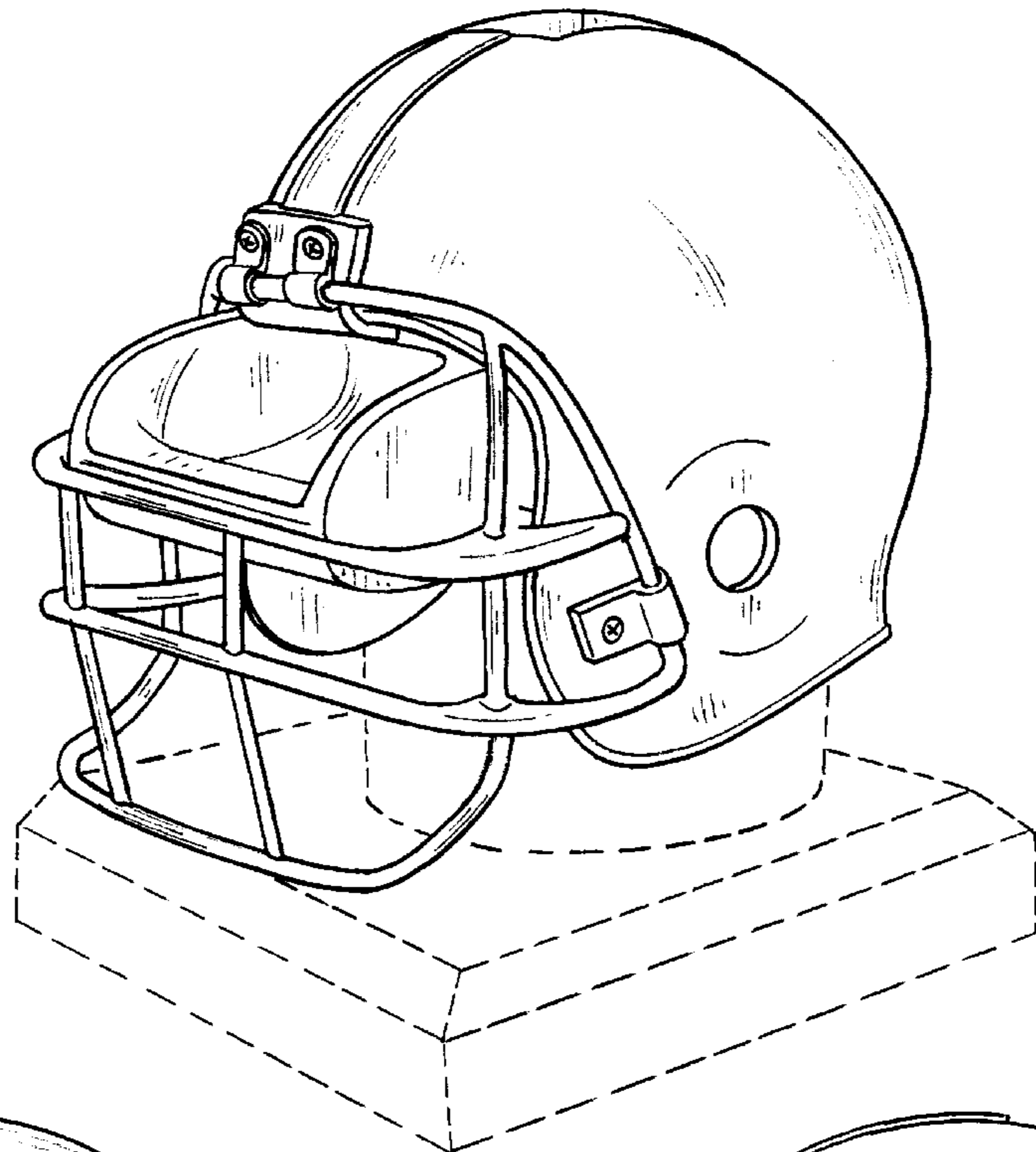


FIG. 7

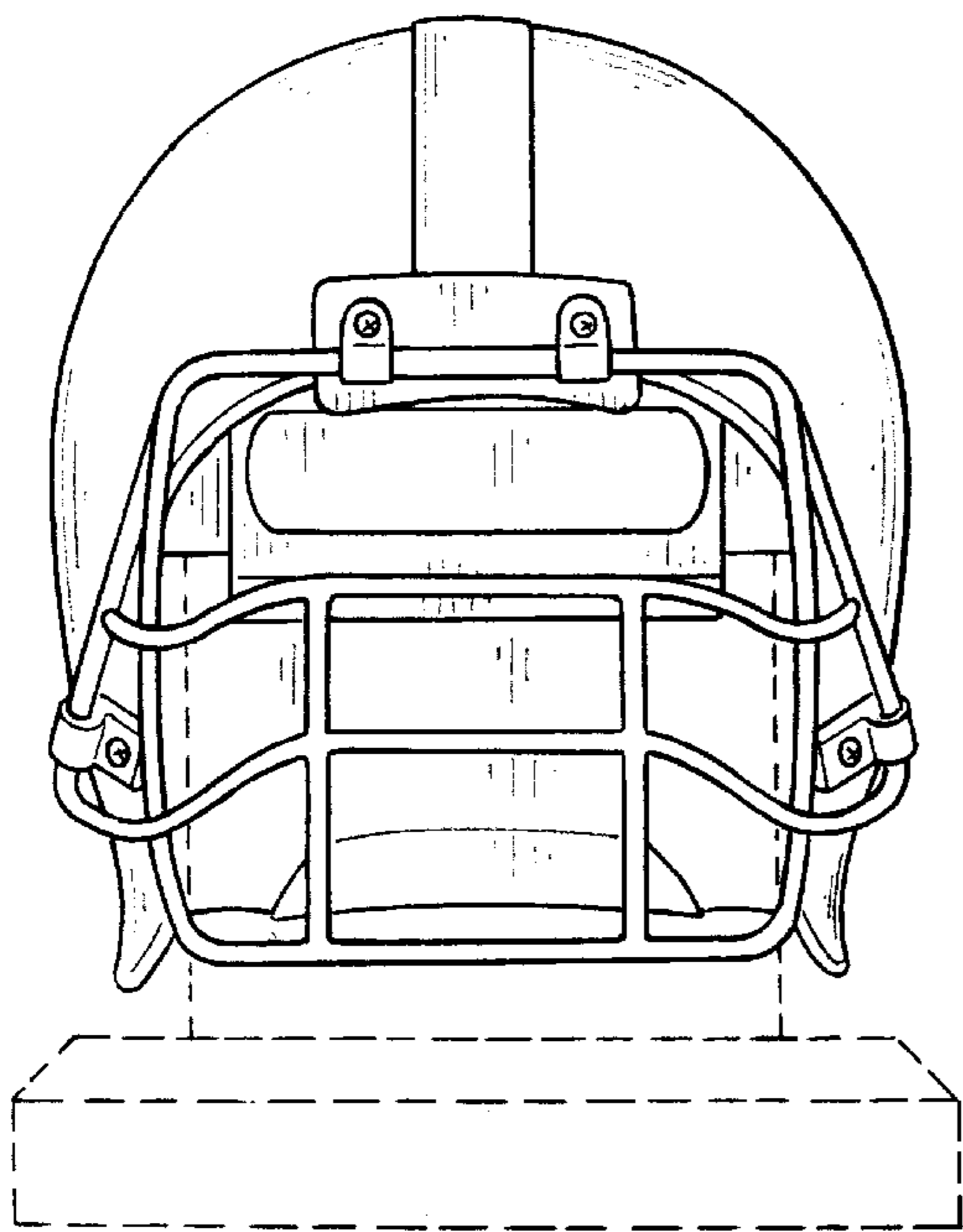


FIG. 8

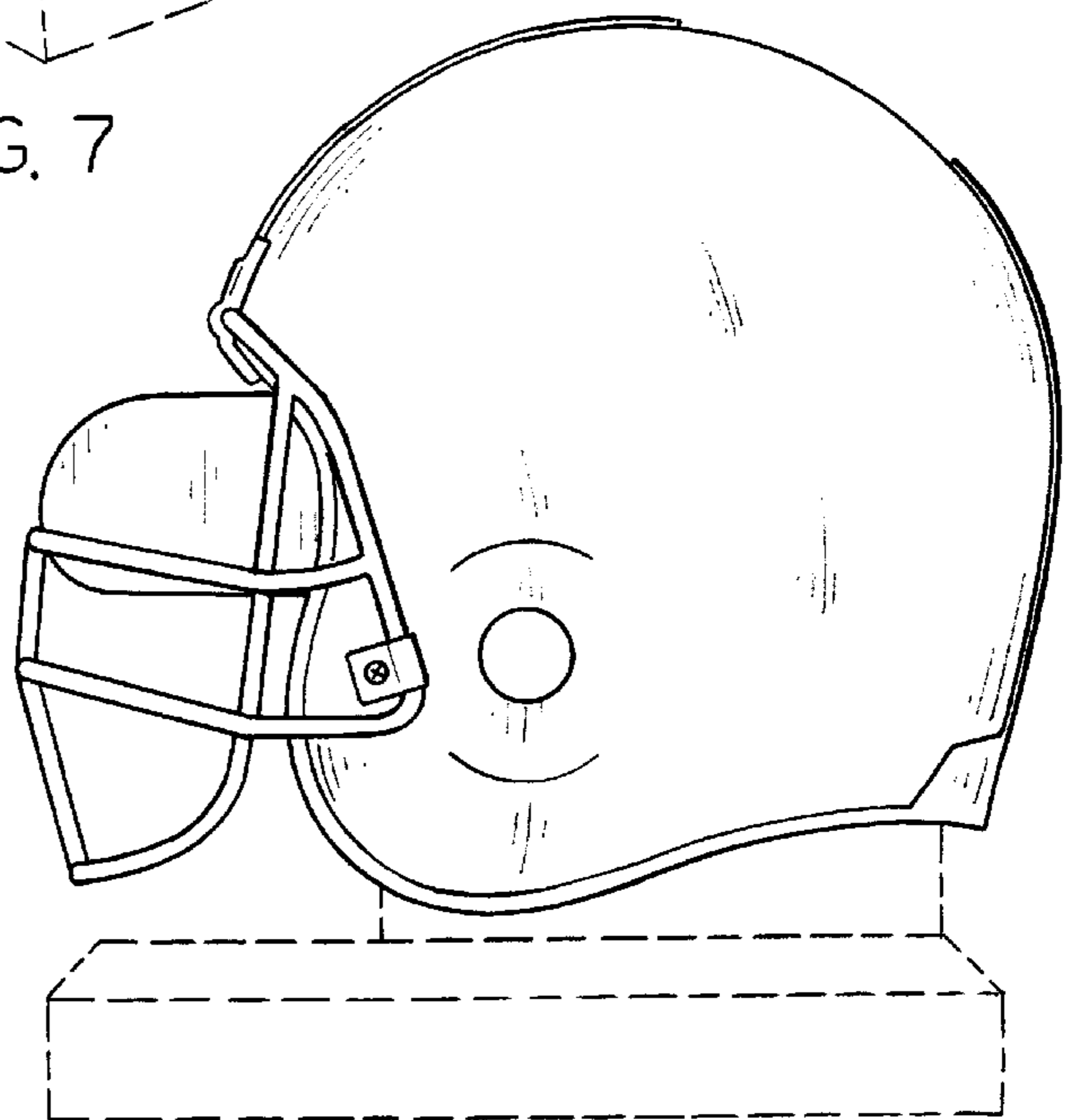


FIG. 9

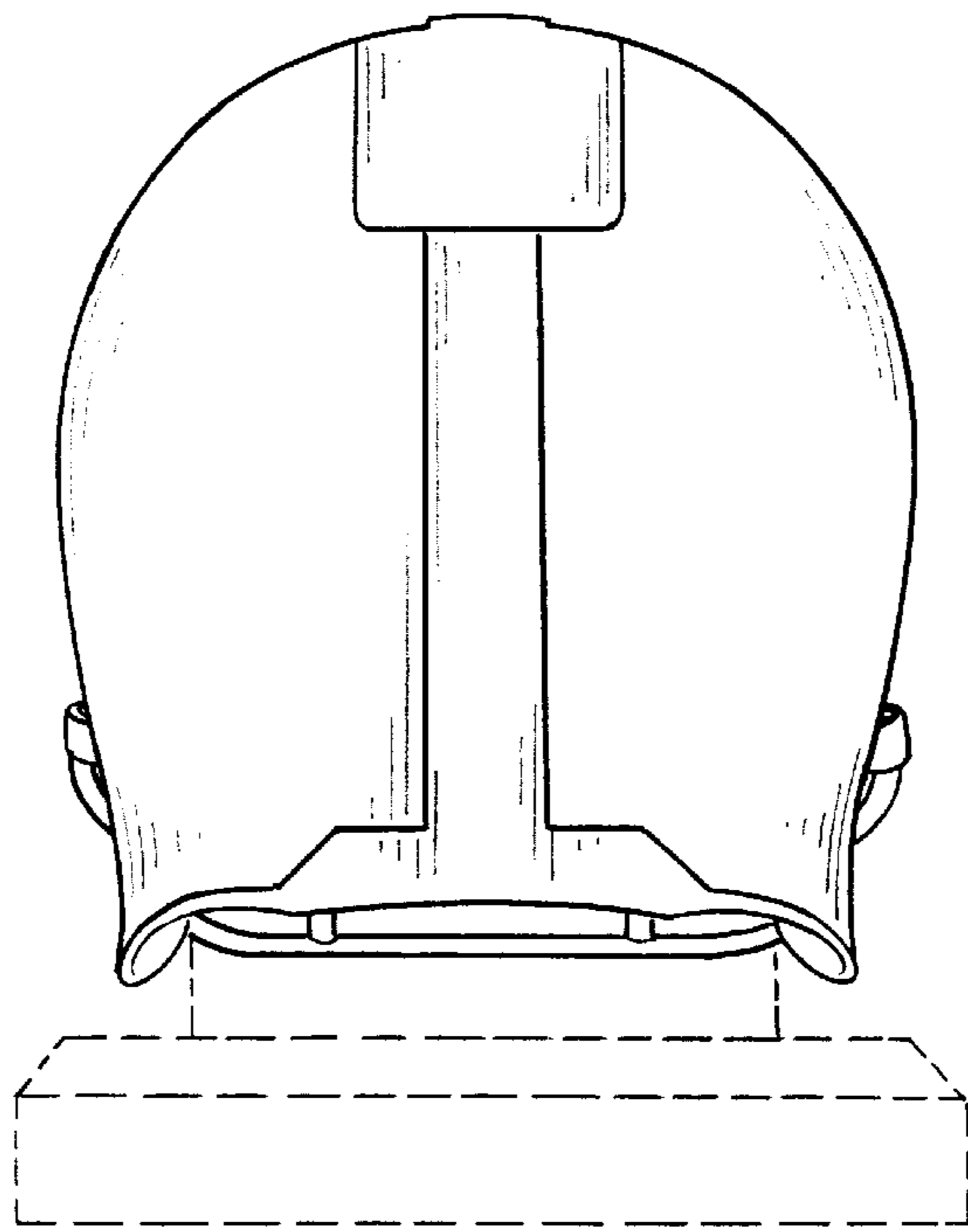


FIG. 10

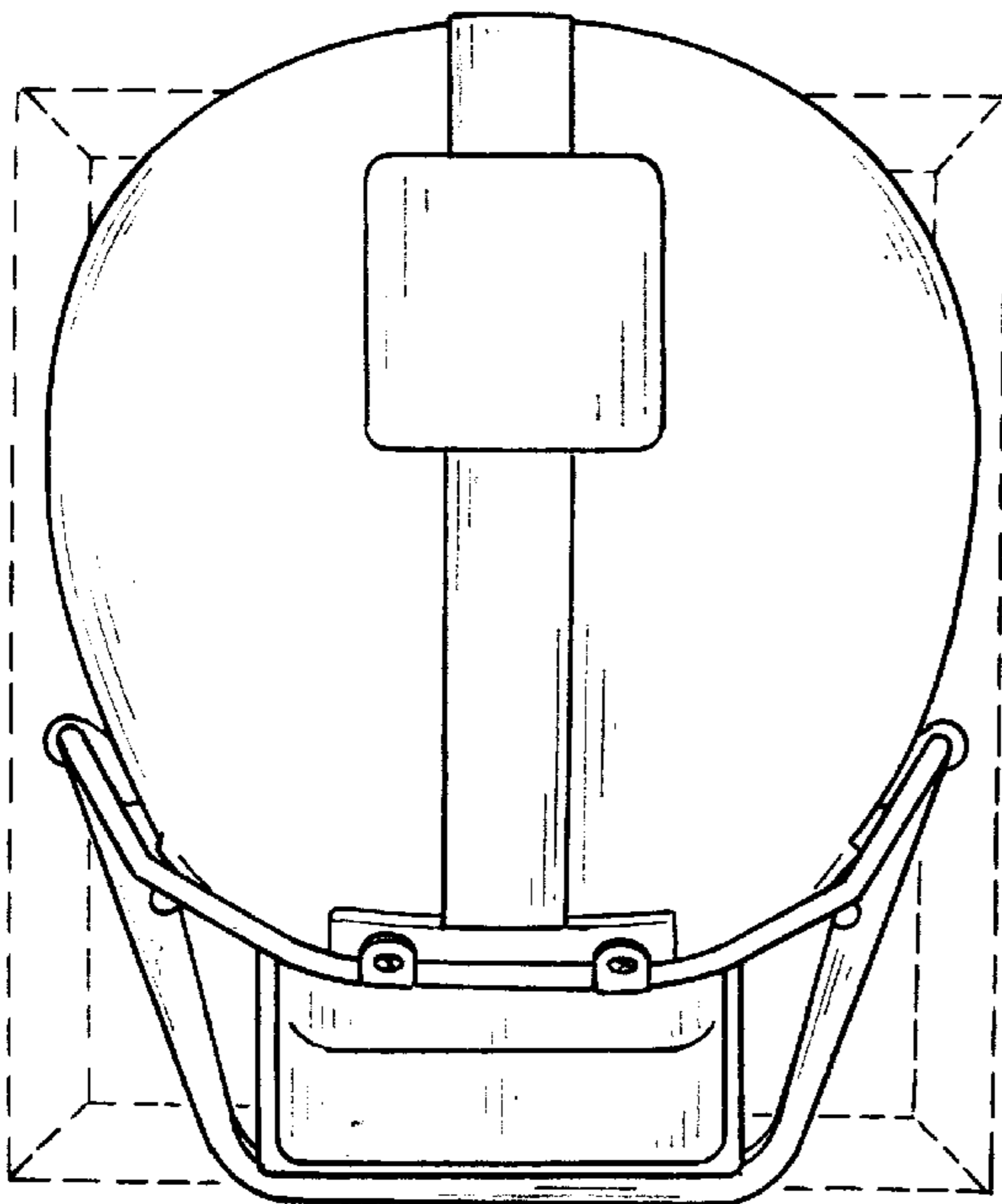


FIG. 11

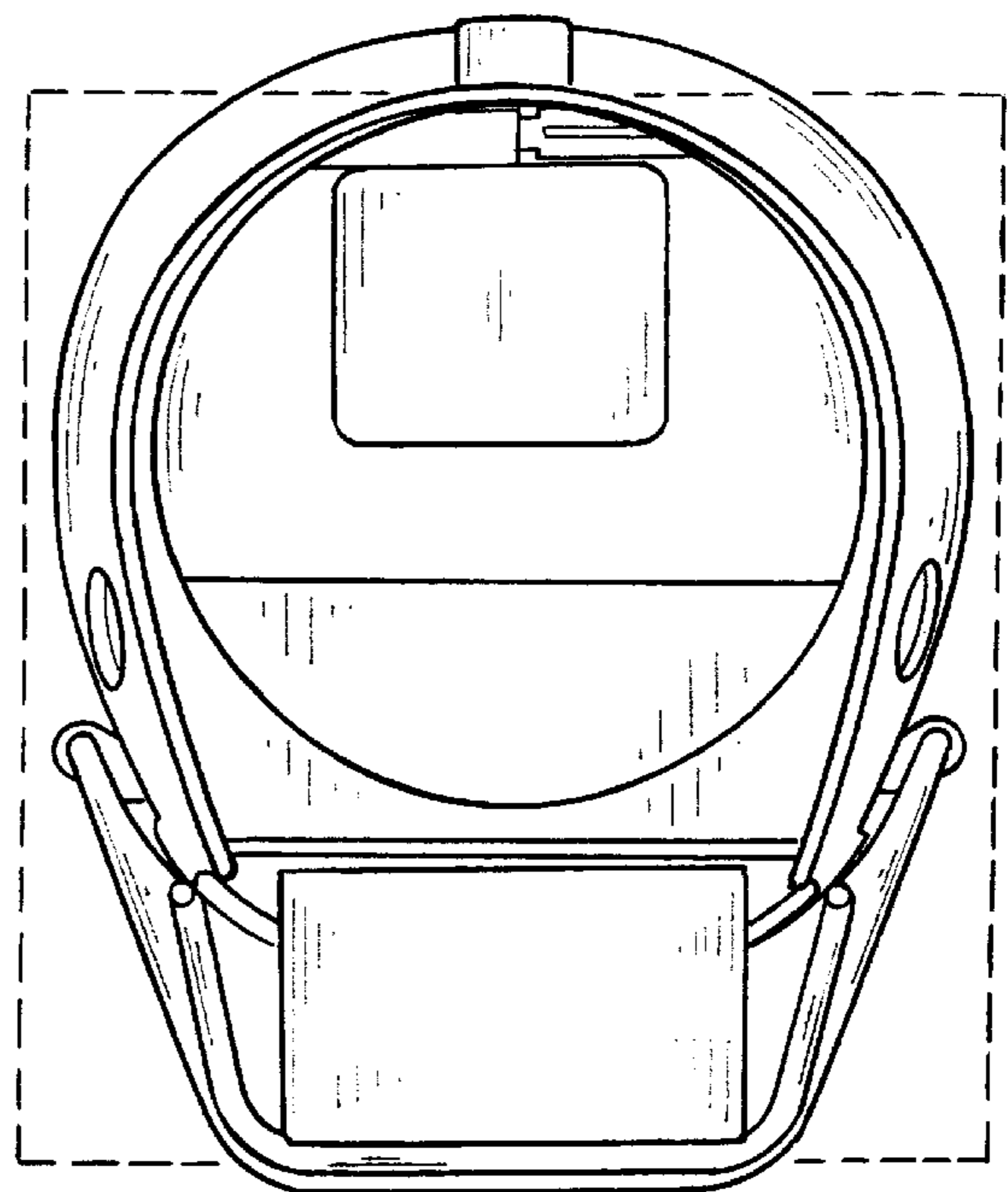


FIG. 12