



US00D430204S

# United States Patent [19] Berracasa

[11] **Patent Number: Des. 430,204**

[45] **Date of Patent: \*\* Aug. 29, 2000**

[54] **FASTENER FOR PERFORATED DOCUMENTS**

[75] Inventor: **Abner Berracasa**, Pully, Switzerland

[73] Assignee: **Capitol Trading S.A.**, Lutry, Switzerland

[\*\*] Term: **14 Years**

[21] Appl. No.: **29/101,832**

[22] Filed: **Mar. 11, 1999**

[30] **Foreign Application Priority Data**

Sep. 11, 1998 [XH] Hague Agreement ..... DM/045212

[51] **LOC (7) Cl.** ..... **19-04**

[52] **U.S. Cl.** ..... **D19/32; D19/65; D19/86; D8/368**

[58] **Field of Search** ..... D11/4; D19/65, D19/75, 86, 90, 91, 99, 100; 402/19, 20, 42, 8 P; 24/575, 20 S, 499, 545, 67 R, 67.1-67.11; 281/27.1, 27.2, 27.3; D8/396

[56] **References Cited**

**U.S. PATENT DOCUMENTS**

- D. 317,177 5/1991 Boschetti ..... D19/65
- D. 405,381 2/1999 Perrin et al. .... D11/4
- 2,063,548 12/1936 Greer ..... 402/20

- 2,112,389 3/1938 Trussell ..... 281/27.1
- 2,363,848 11/1944 Emmner ..... 402/20
- 4,607,970 8/1986 Heusinkveld ..... 402/20
- 4,792,253 12/1988 Jacobson ..... 402/20

*Primary Examiner*—Martie K. Holtje  
*Attorney, Agent, or Firm*—Anthony J. Casella; Gerald E. Hespos

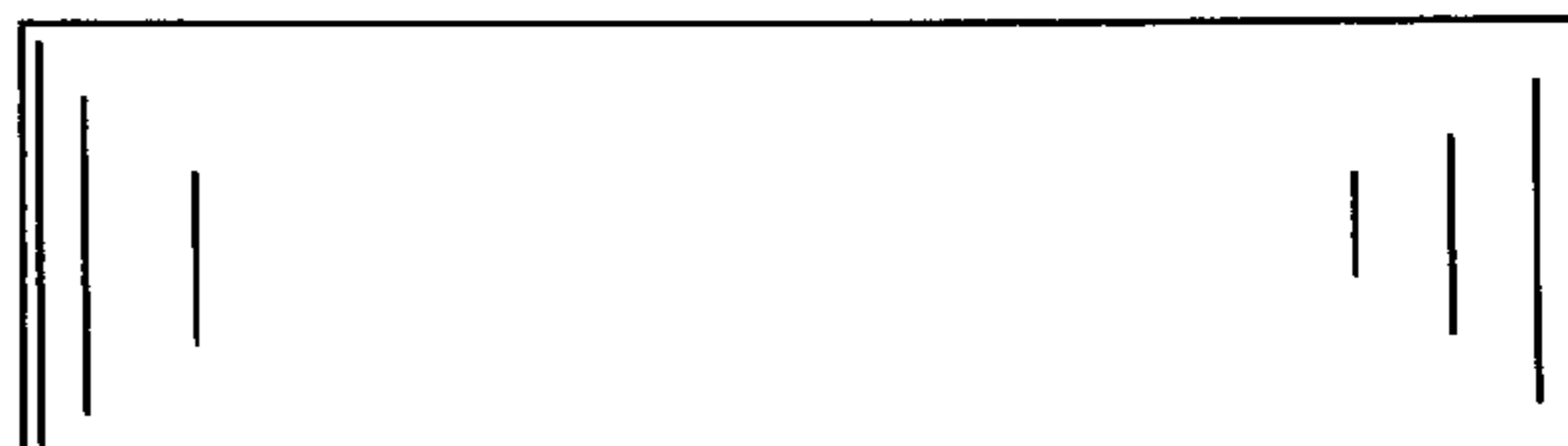
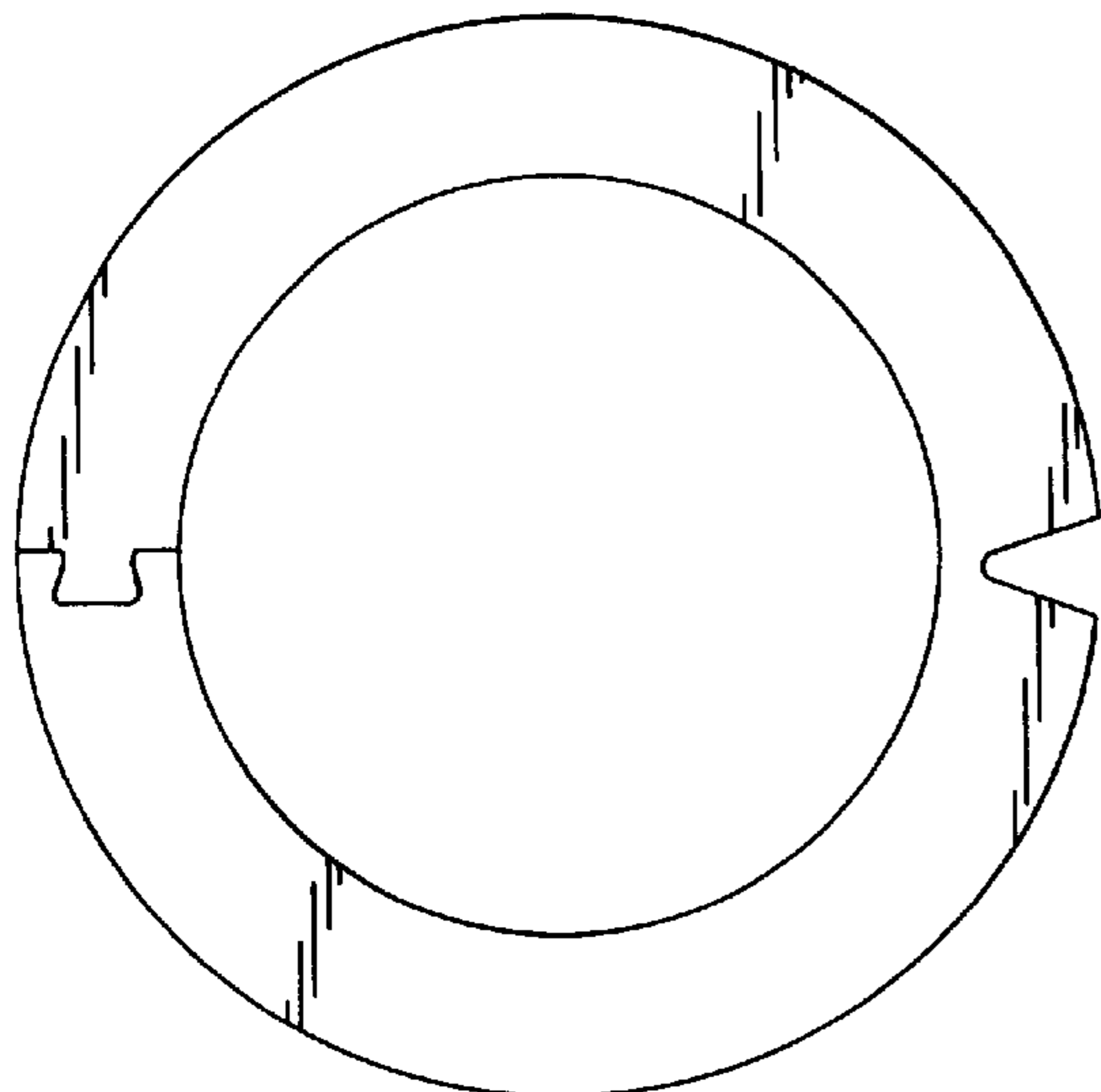
[57] **CLAIM**

The ornamental design for a fastener for perforated documents, as shown and described.

**DESCRIPTION**

FIG. 1 is a front elevational view of a fastener for perforated documents in a closed position showing the new design, the rear elevational view being a mirror image thereof;  
 FIG. 2 is a top plan view thereof, the bottom plan view being identical thereto;  
 FIG. 3 is a left side elevational view thereof;  
 FIG. 4 is a right side elevational view thereof;  
 FIG. 5 is a front elevational view of the fastener for perforated documents in an open position, the rear elevational view being a mirror image thereof;  
 FIG. 6 is a left side elevational view thereof; and,  
 FIG. 7 is a right side elevational view thereof.  
 The fastener may be opened and closed at will for fastening punched documents by insertion into holes thereof.

**1 Claim, 2 Drawing Sheets**



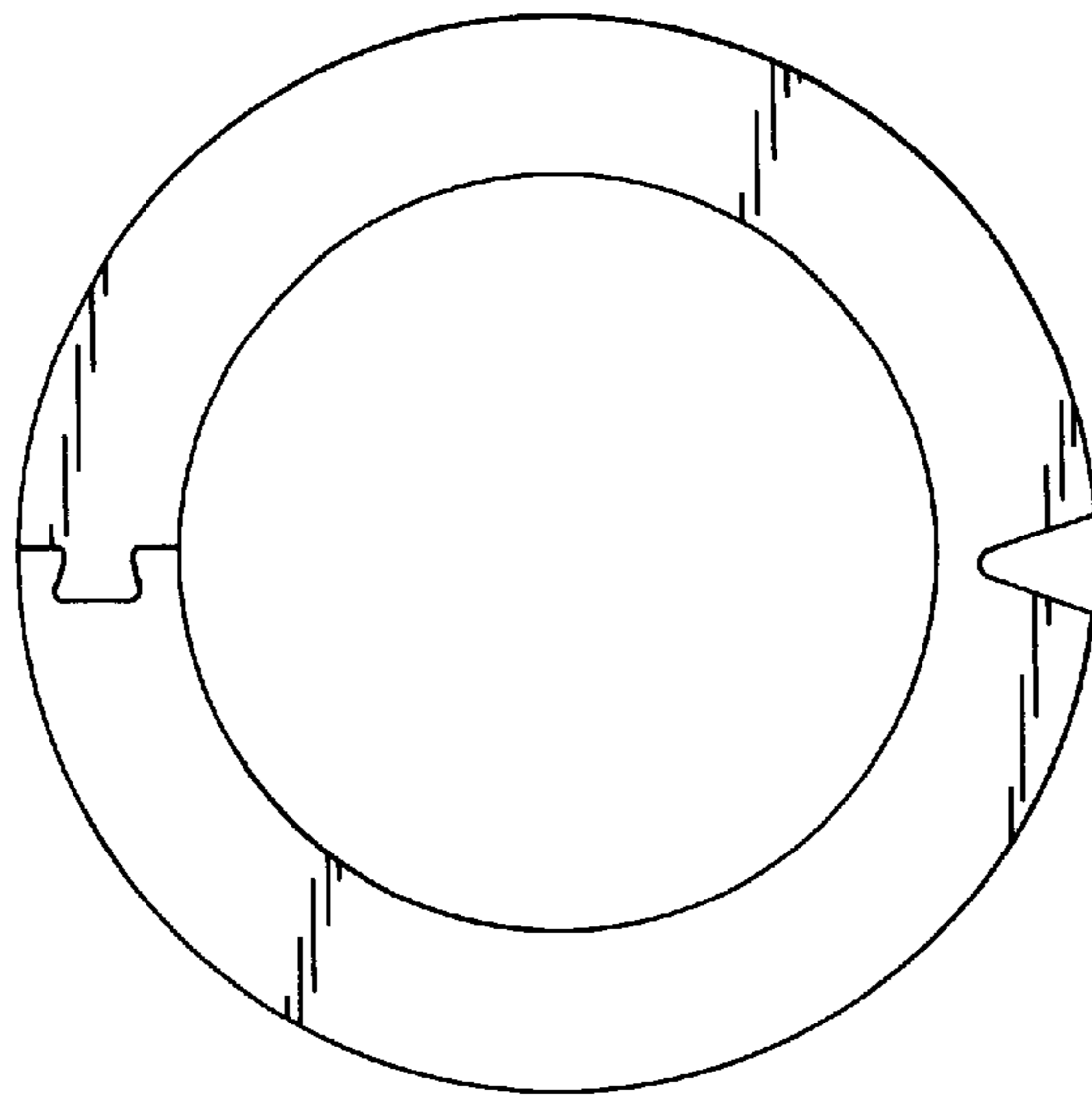


FIG. 1

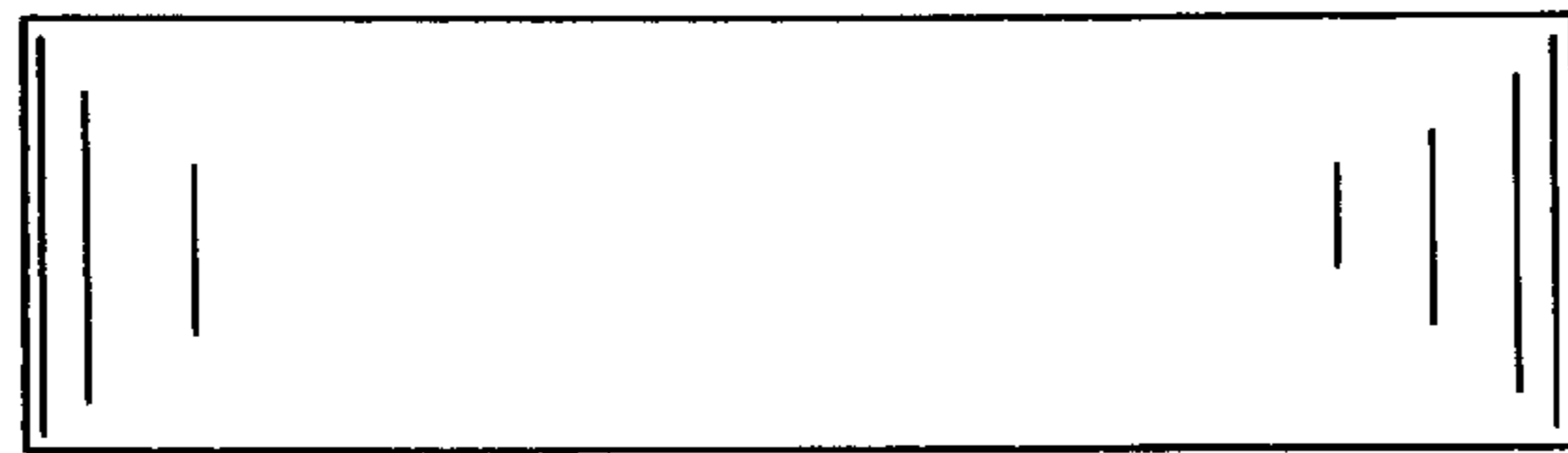


FIG. 2

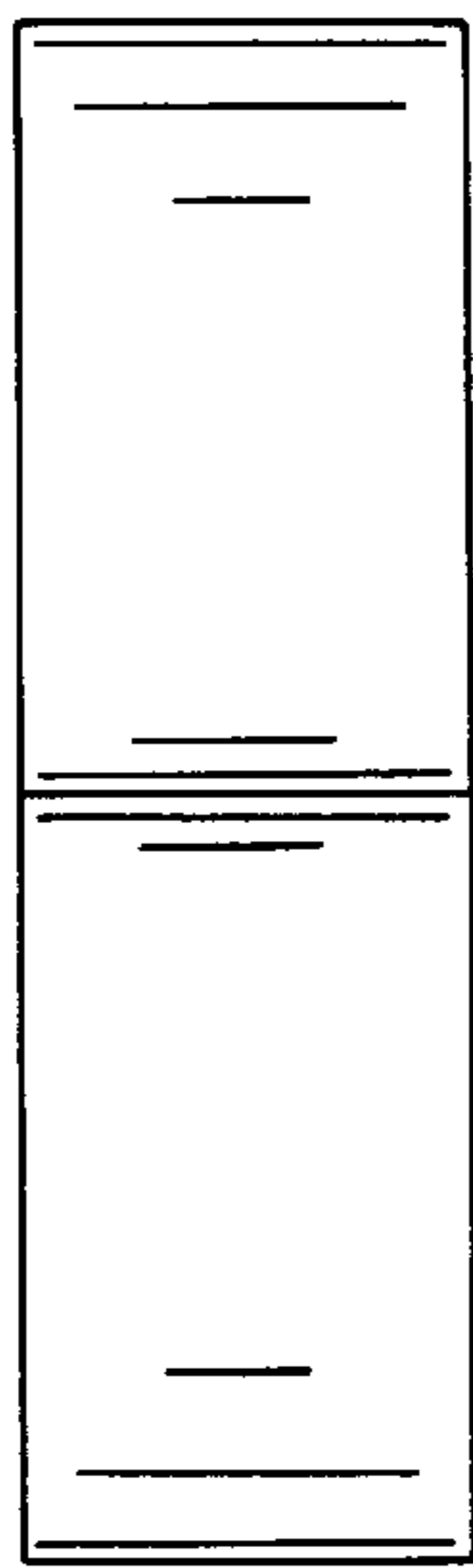


FIG. 3

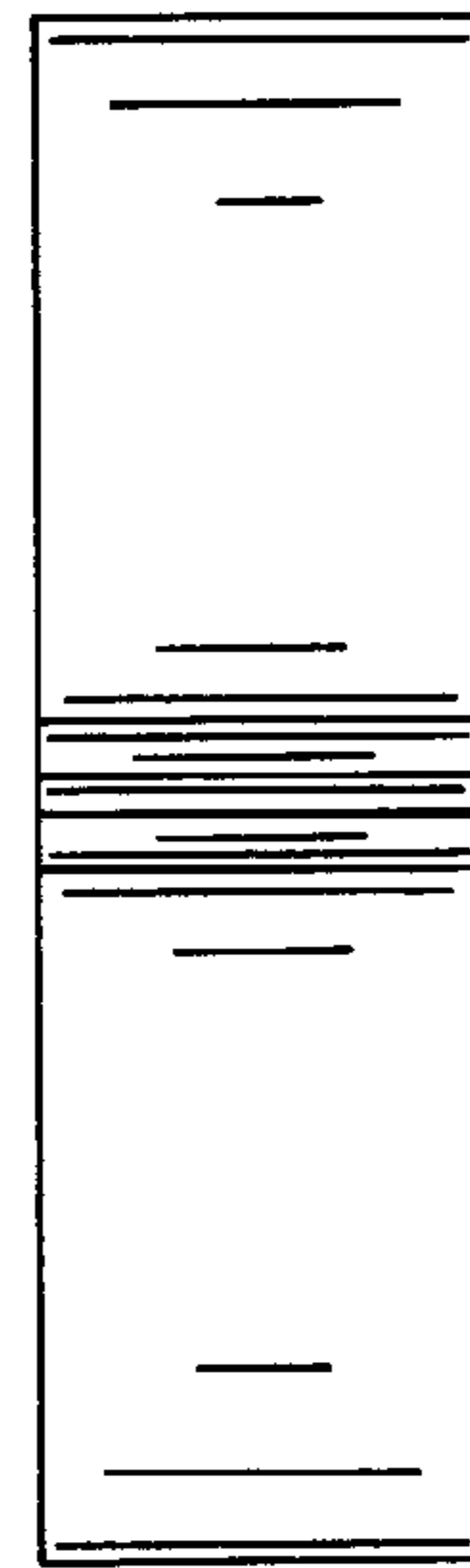


FIG. 4

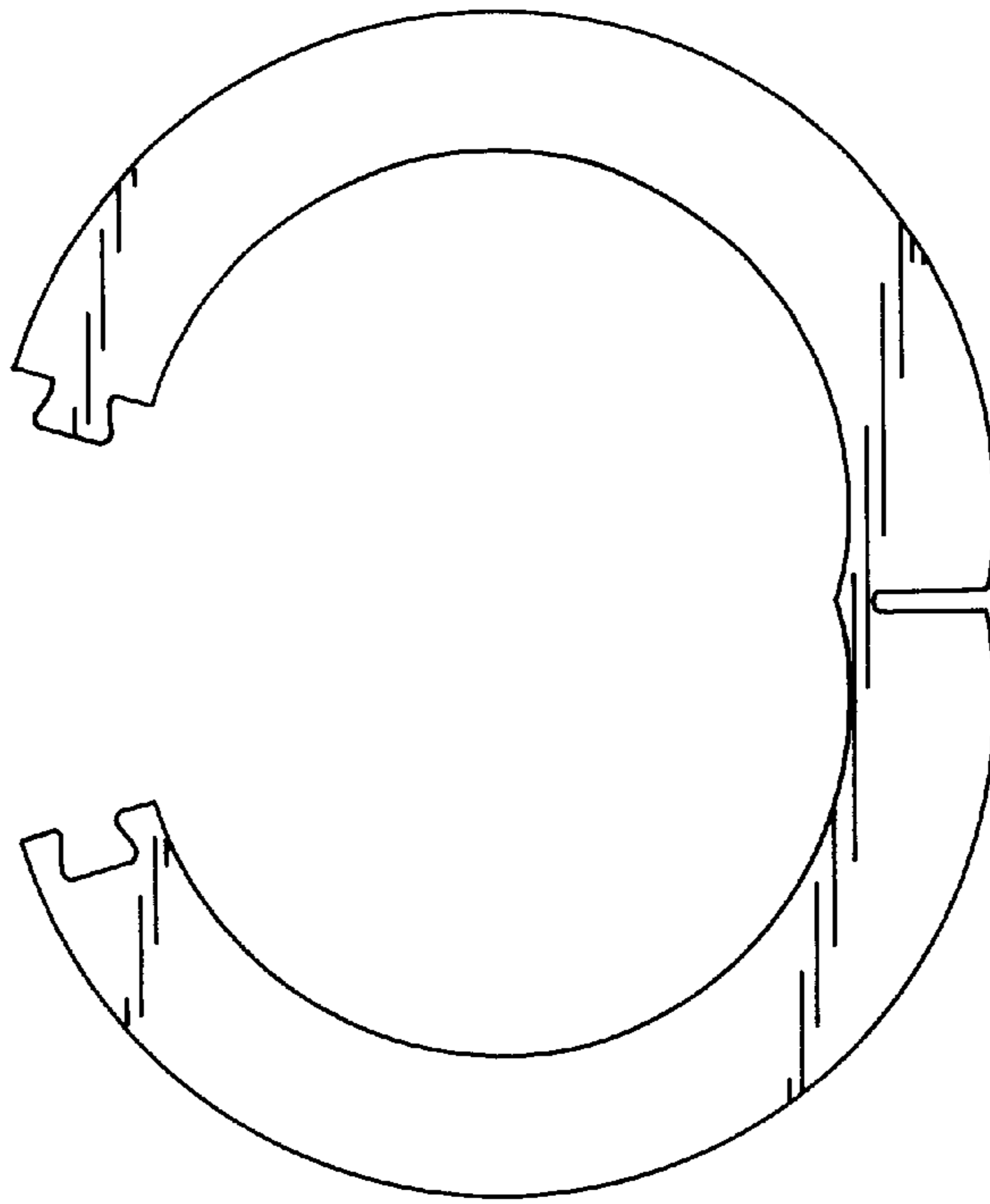


FIG. 5

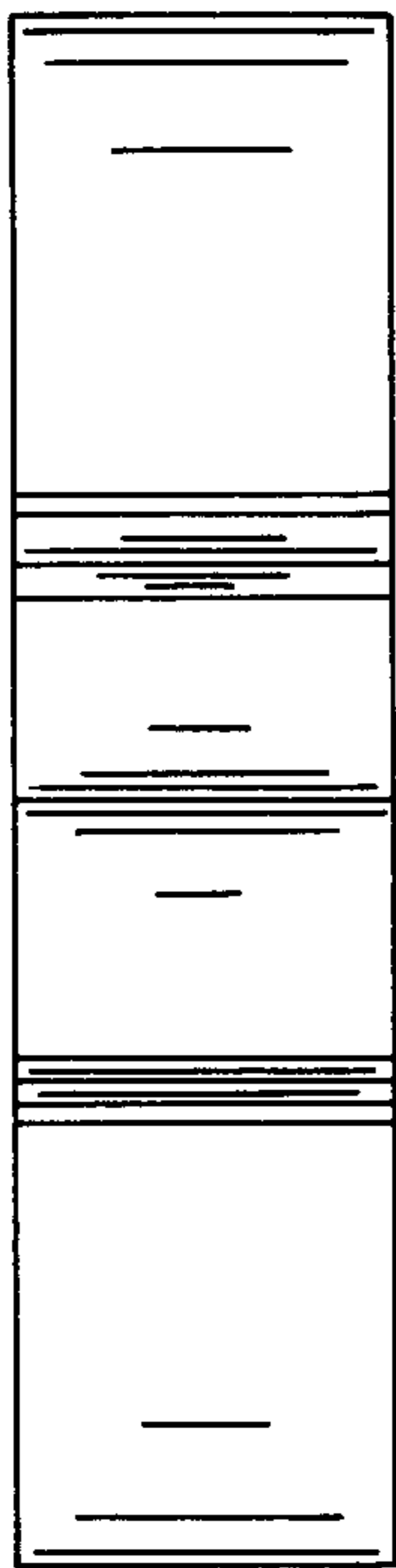


FIG. 6

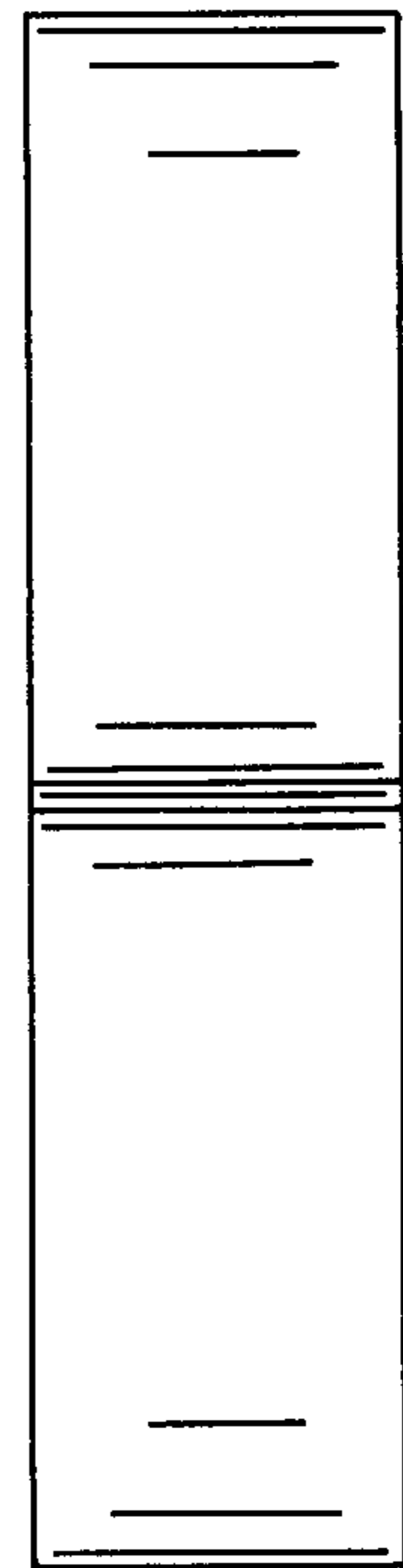


FIG. 7