



US00D430201S

# United States Patent [19]

[11] Patent Number: **Des. 430,201**

Inoue et al.

[45] Date of Patent: **\*\* Aug. 29, 2000**

[54] **INK CARTRIDGE FOR PRINTER**

[75] Inventors: **Manabu Inoue**, Yokohama; **Osamu Morita**, Yokosuka; **Wataru Takahashi**, Kawasaki; **Masanori Takenouchi**, Yokohama, all of Japan

[73] Assignee: **Canon Kabushiki Kaisha**, Tokyo, Japan

[\*\*] Term: **14 Years**

[21] Appl. No.: **29/104,021**

[22] Filed: **Apr. 27, 1999**

[30] **Foreign Application Priority Data**

Oct. 27, 1998 [JP] Japan ..... 10-31141

[51] **LOC (7) Cl.** ..... **18-02**

[52] **U.S. Cl.** ..... **D18/56; 347/86**

[58] **Field of Search** ..... **D18/56; 347/86, 347/87**

D. 381,680	7/1997	Tashiro et al.	.....	D18/56
D. 382,013	8/1997	Tashiro et al.	.....	D18/56
D. 382,014	8/1997	Tashiro et al.	.....	D18/56
D. 382,586	8/1997	Tashiro et al.	.....	D18/56
D. 382,588	8/1997	Tashiro et al.	.....	D18/56
D. 382,895	8/1997	Tashiro et al.	.....	D18/56
D. 384,371	9/1997	Tashiro et al.	.....	D18/56
D. 385,909	11/1997	Tashiro et al.	.....	D18/56
D. 386,203	11/1997	Tashiro et al.	.....	D18/56
D. 386,520	11/1997	Tashiro et al.	.....	D18/56
D. 390,869	2/1998	Tashiro et al.	.....	D18/56
D. 392,672	3/1998	Inoue et al.	.....	D18/56
D. 395,669	6/1998	Carlotta et al.	.....	D18/56
D. 395,670	6/1998	Inoue et al.	.....	D18/56
D. 395,916	7/1998	Inoue et al.	.....	D18/56
D. 404,067	1/1999	Tashiro et al.	.....	D18/56
D. 406,163	2/1999	Shimizu et al.	.....	D18/56
D. 413,920	9/1999	Shimizu et al.	.....	D18/56
D. 414,509	9/1999	Shimizu et al.	.....	D18/56
5,182,581	1/1993	Kashimura et al.	.....	347/87
5,576,750	11/1996	Brandon et al.	.....	347/87
5,619,237	4/1997	Inoue et al.	.....	347/86
5,805,187	9/1998	Sasaki	.....	347/86
5,831,652	11/1998	Hinami et al.	.....	347/86
5,883,653	3/1999	Sasaki	.....	347/86

[56] **References Cited**

**U.S. PATENT DOCUMENTS**

D. 371,160	6/1996	Kotaki et al.	.....	D18/56
D. 371,804	7/1996	Kotaki et al.	.....	D18/56
D. 375,120	10/1996	Kotaki et al.	.....	D18/56
D. 376,175	12/1996	Tashiro et al.	.....	D18/56
D. 377,046	12/1996	Tashiro et al.	.....	D18/56
D. 377,371	1/1997	Tokuda et al.	.....	D18/56
D. 378,526	3/1997	Tashiro et al.	.....	D18/56
D. 378,527	3/1997	Tashiro et al.	.....	D18/56
D. 378,528	3/1997	Tashiro et al.	.....	D18/56
D. 378,529	3/1997	Tashiro et al.	.....	D18/56
D. 378,530	3/1997	Tashiro et al.	.....	D18/56
D. 378,599	3/1997	Tashiro et al.	.....	D18/56
D. 378,600	3/1997	Tashiro et al.	.....	D18/56
D. 378,832	4/1997	Tashiro et al.	.....	D18/56
D. 380,489	7/1997	Tashiro et al.	.....	D18/56
D. 380,490	7/1997	Tashiro et al.	.....	D18/56
D. 380,491	7/1997	Tashiro et al.	.....	D18/56
D. 381,040	7/1997	Tashiro et al.	.....	D18/56

*Primary Examiner*—Cathy Anne MacCormac  
*Attorney, Agent, or Firm*—Fitzpatrick, Cella, Harper & Scinto

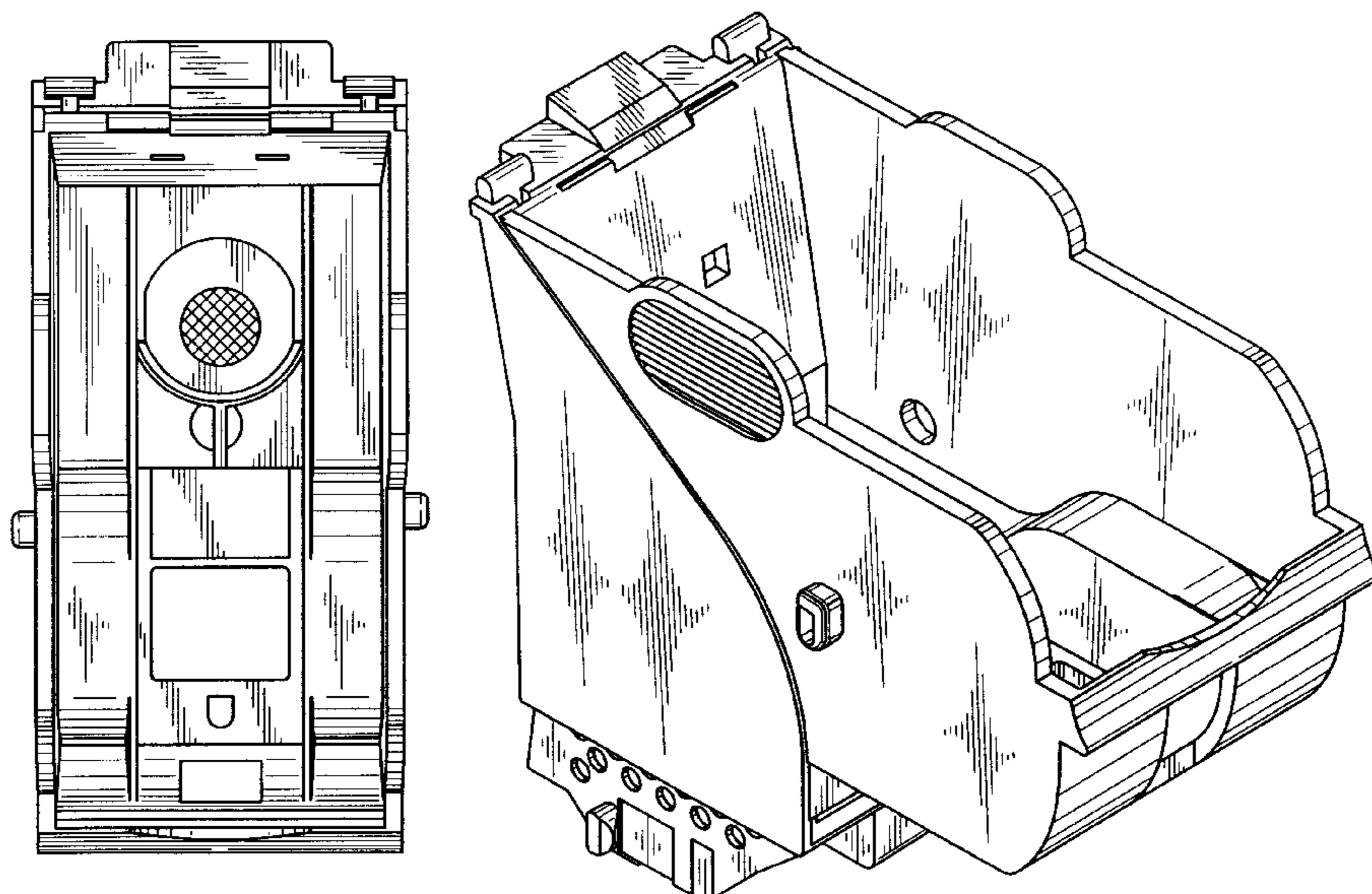
[57] **CLAIM**

The ornamental design for an ink cartridge for printer, as shown and described.

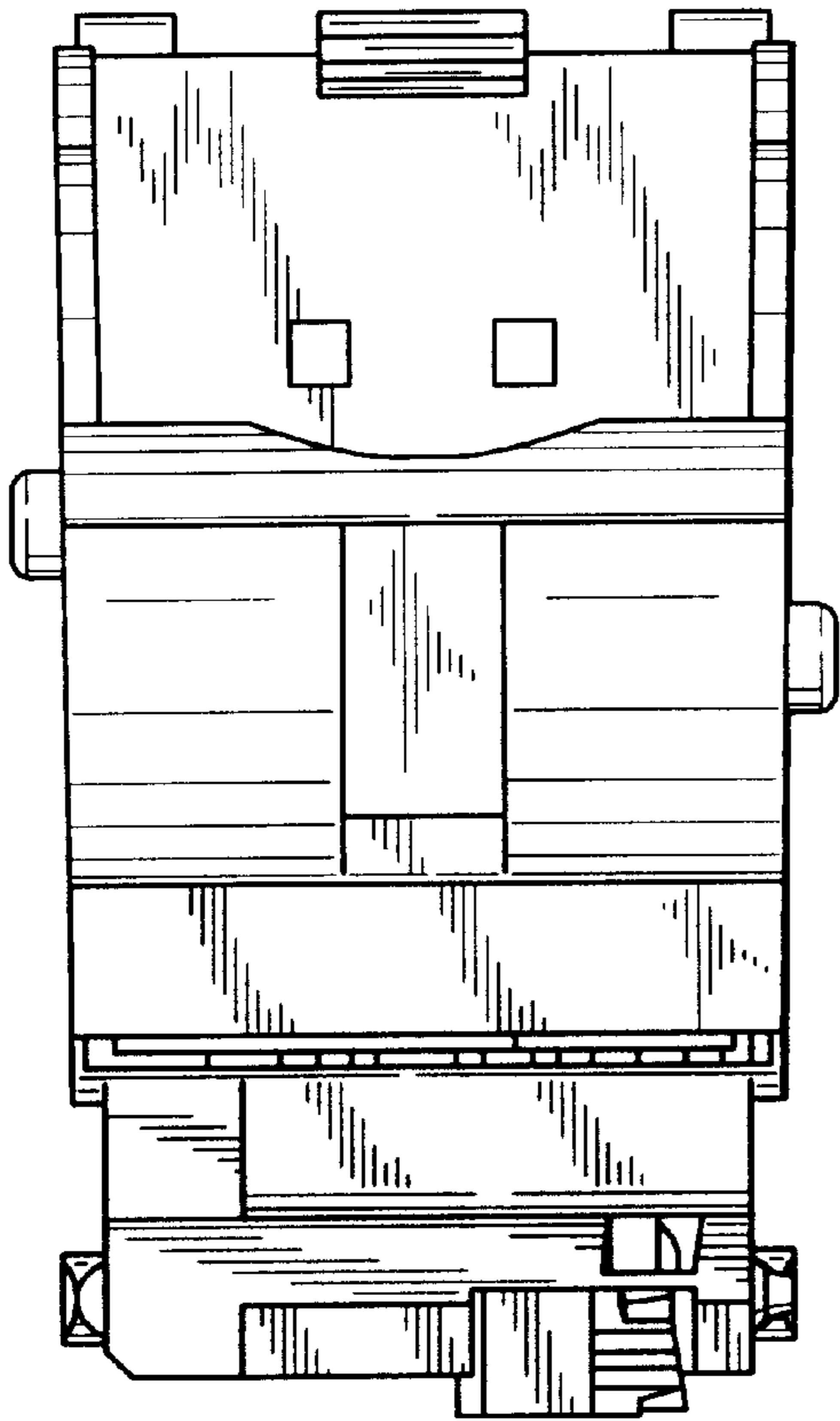
**DESCRIPTION**

FIG. 1 is a front view of an ink cartridge for printer showing our new design;  
FIG. 2 is a rear view thereof;  
FIG. 3 is a top plan view thereof;  
FIG. 4 is a bottom plan view thereof;  
FIG. 5 is a left side view thereof;  
FIG. 6 is a right side view thereof; and,  
FIG. 7 is a perspective view thereof.

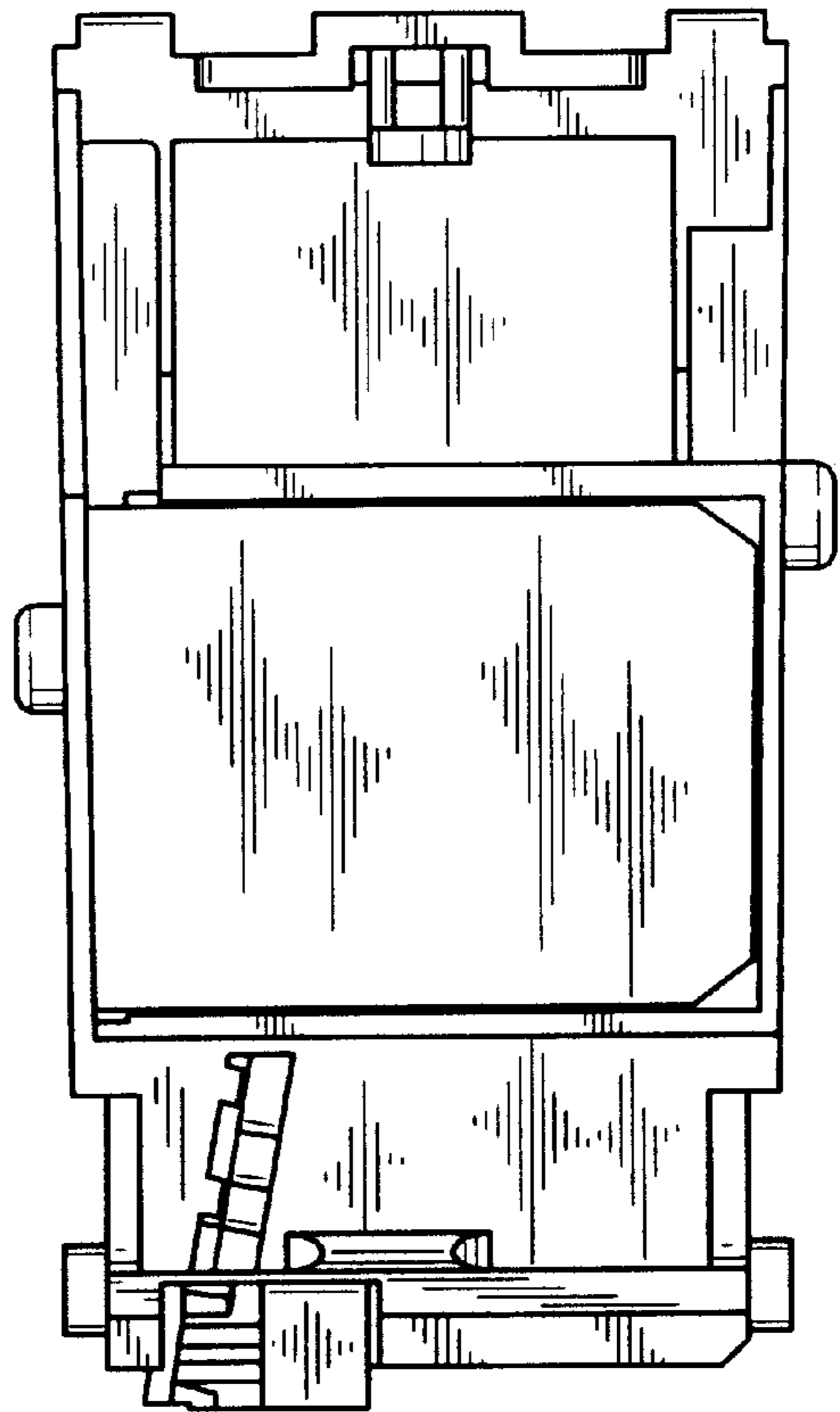
**1 Claim, 4 Drawing Sheets**



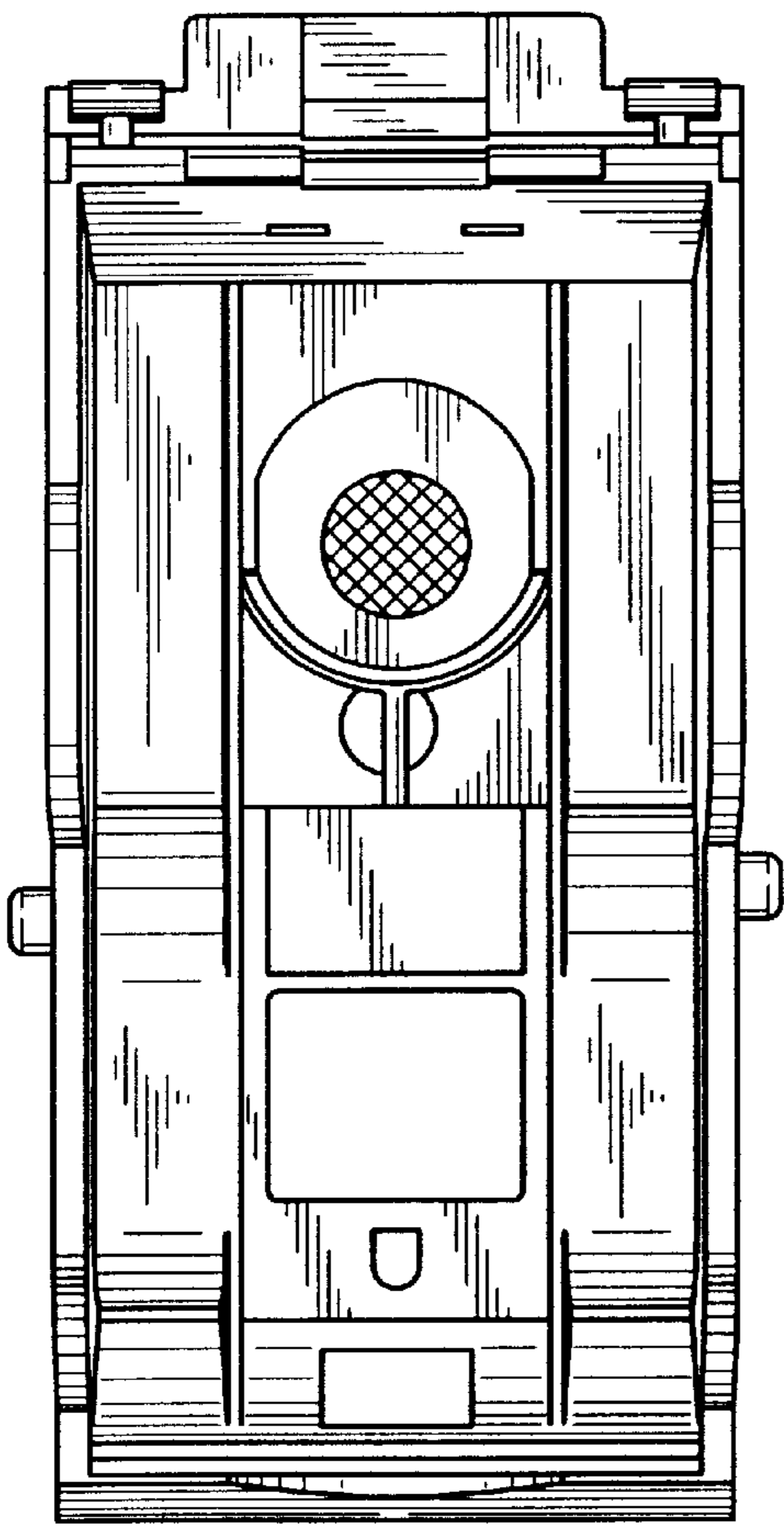
*FIG. 1*



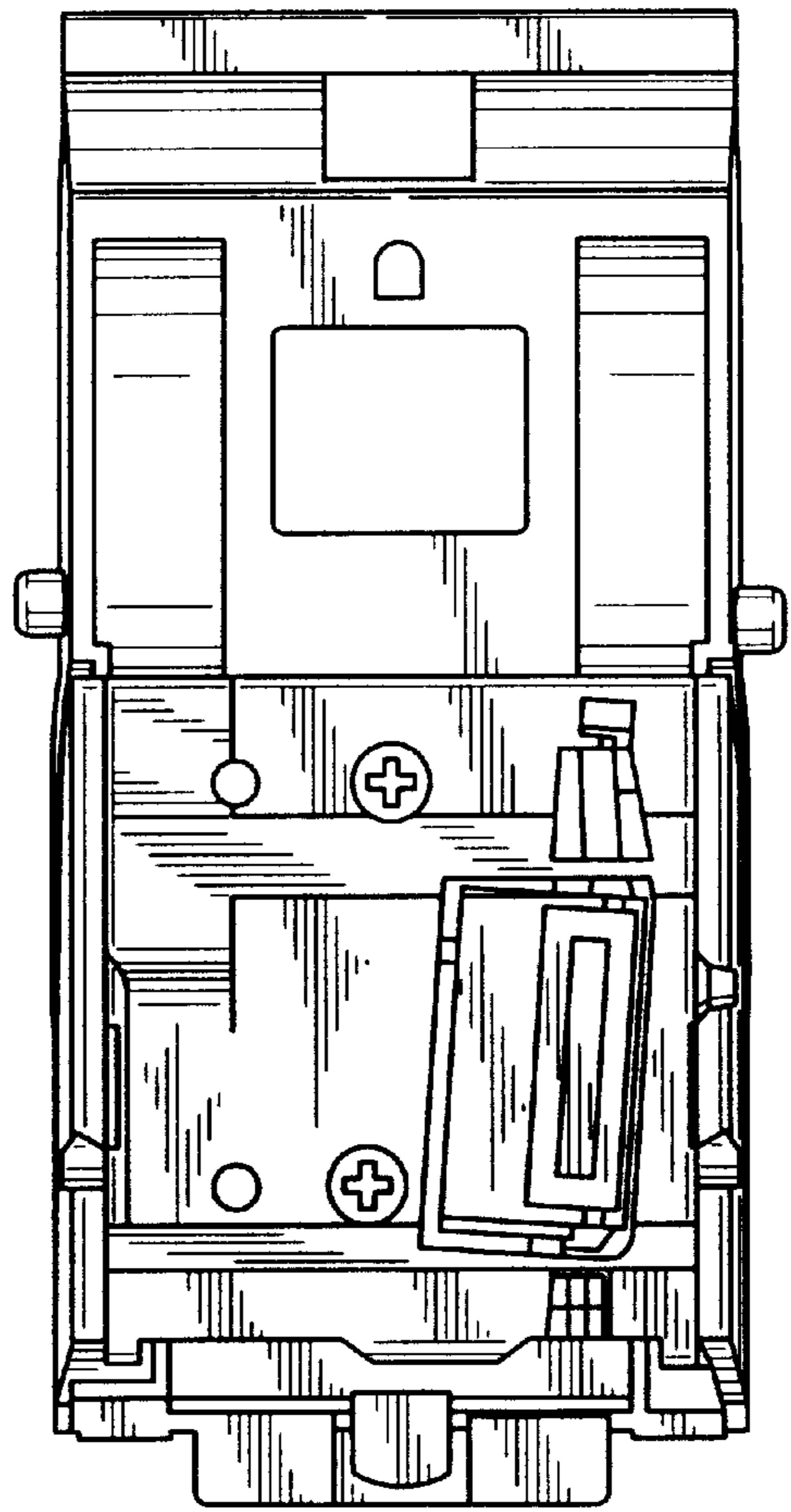
*FIG. 2*



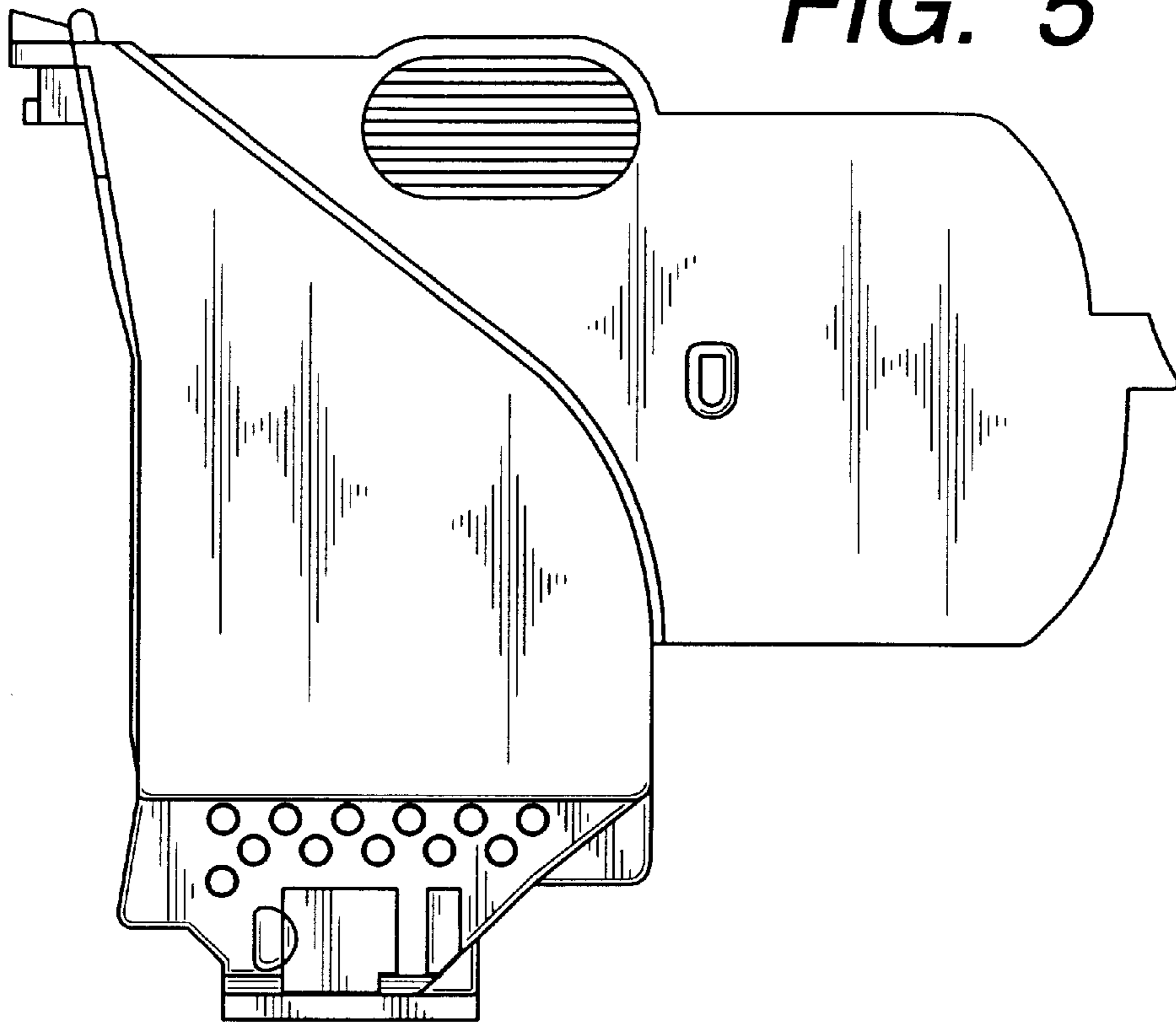
*FIG. 3*



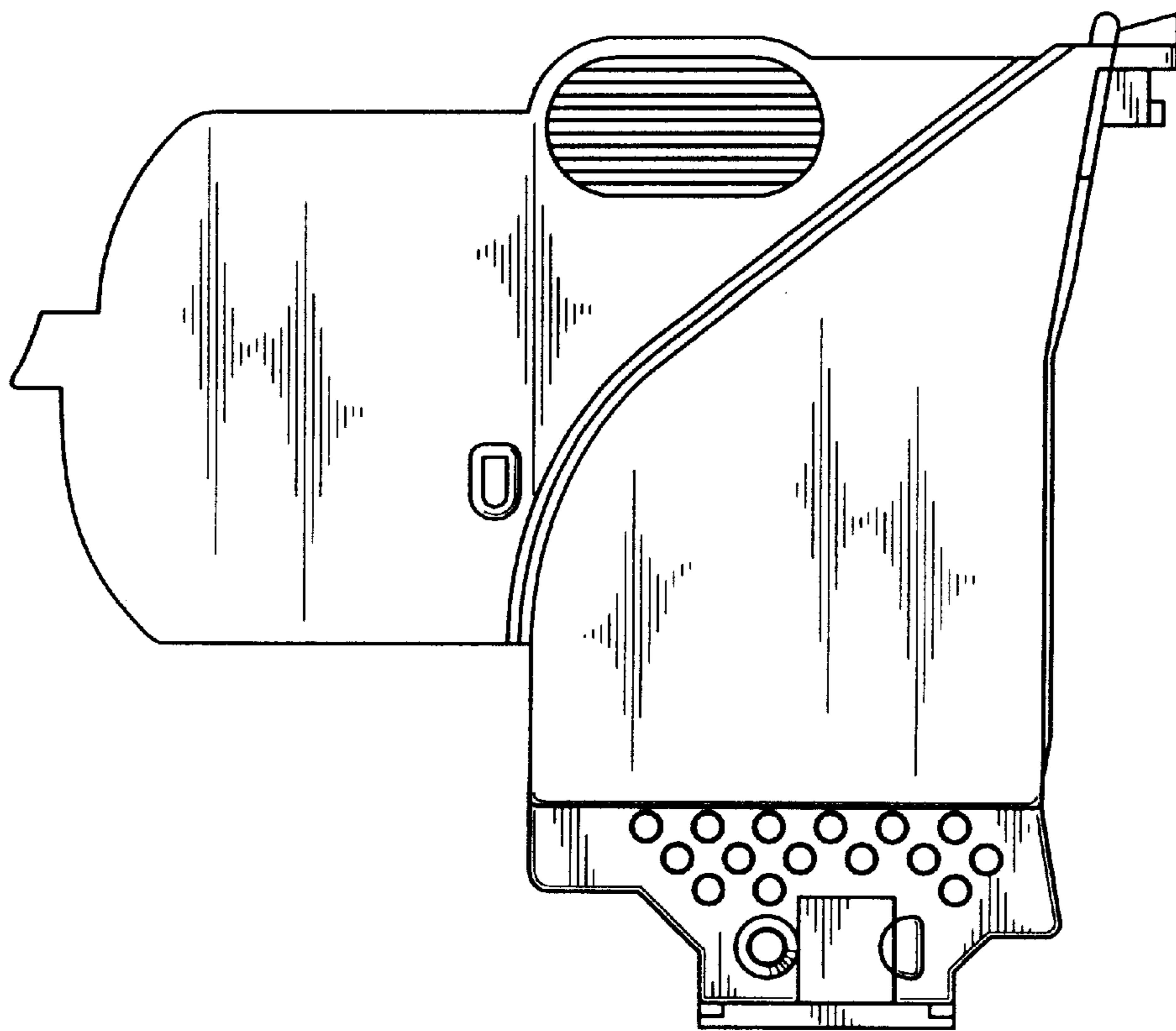
*FIG. 4*



**FIG. 5**



**FIG. 6**



*FIG. 7*

