



US00D430198S

United States Patent [19] Nakada

[11] Patent Number: Des. 430,198

[45] Date of Patent: ** Aug. 29, 2000

[54] MAILBOX SORTER

D. 373,789 9/1996 Narushima D18/48

[75] Inventor: Hiroshi Nakada, Yokohama, Japan

Primary Examiner—Caron D. Veynar
Attorney, Agent, or Firm—Oliff & Berridge, PLC

[73] Assignee: Fuji Xerox Co., Ltd., Tokyo, Japan

[**] Term: 14 Years

[57] CLAIM

[21] Appl. No.: 29/108,765

The ornamental design for a mailbox sorter, as shown and described.

[22] Filed: Aug. 4, 1999

DESCRIPTION

[30] Foreign Application Priority Data

Feb. 8, 1999 [JP] Japan 11-2599

FIG. 1 is a perspective view of the top, front and right side of a mailbox sorter showing my new design;

[51] LOC (7) Cl. 18-99

FIG. 2 is a front view thereof;

[52] U.S. Cl. D18/48

FIG. 3 is a top plan view thereof;

[58] Field of Search D18/46-49; 271/3.01,
271/3.14, 278, 292

FIG. 4 is a bottom view thereof;

FIG. 5 is a right side view thereof;

FIG. 6 is a left side view thereof; and,

FIG. 7 is a rear view thereof.

[56] References Cited

U.S. PATENT DOCUMENTS

D. 320,809 10/1991 Hiroki D18/48

1 Claim, 6 Drawing Sheets

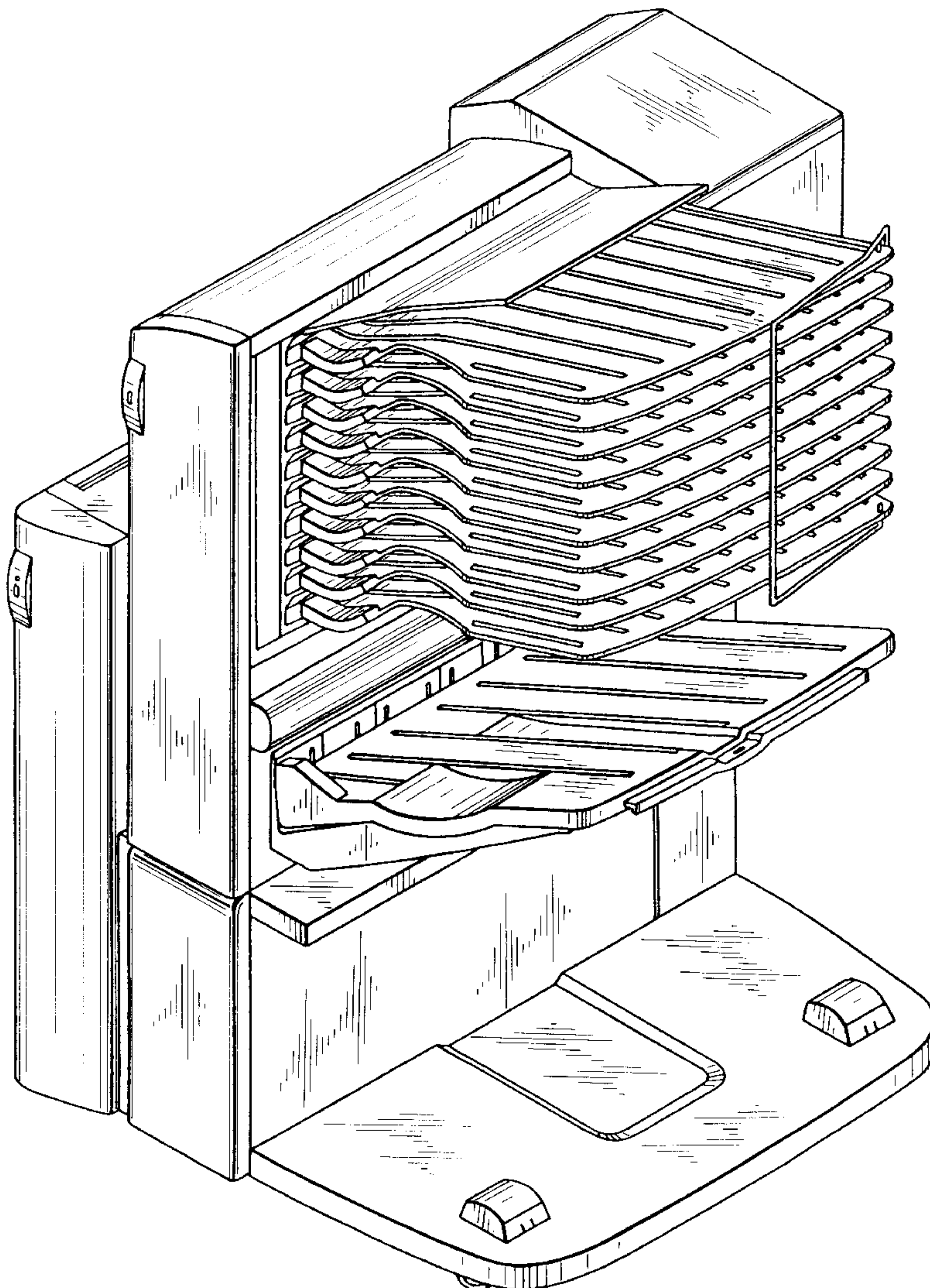


FIG. 1

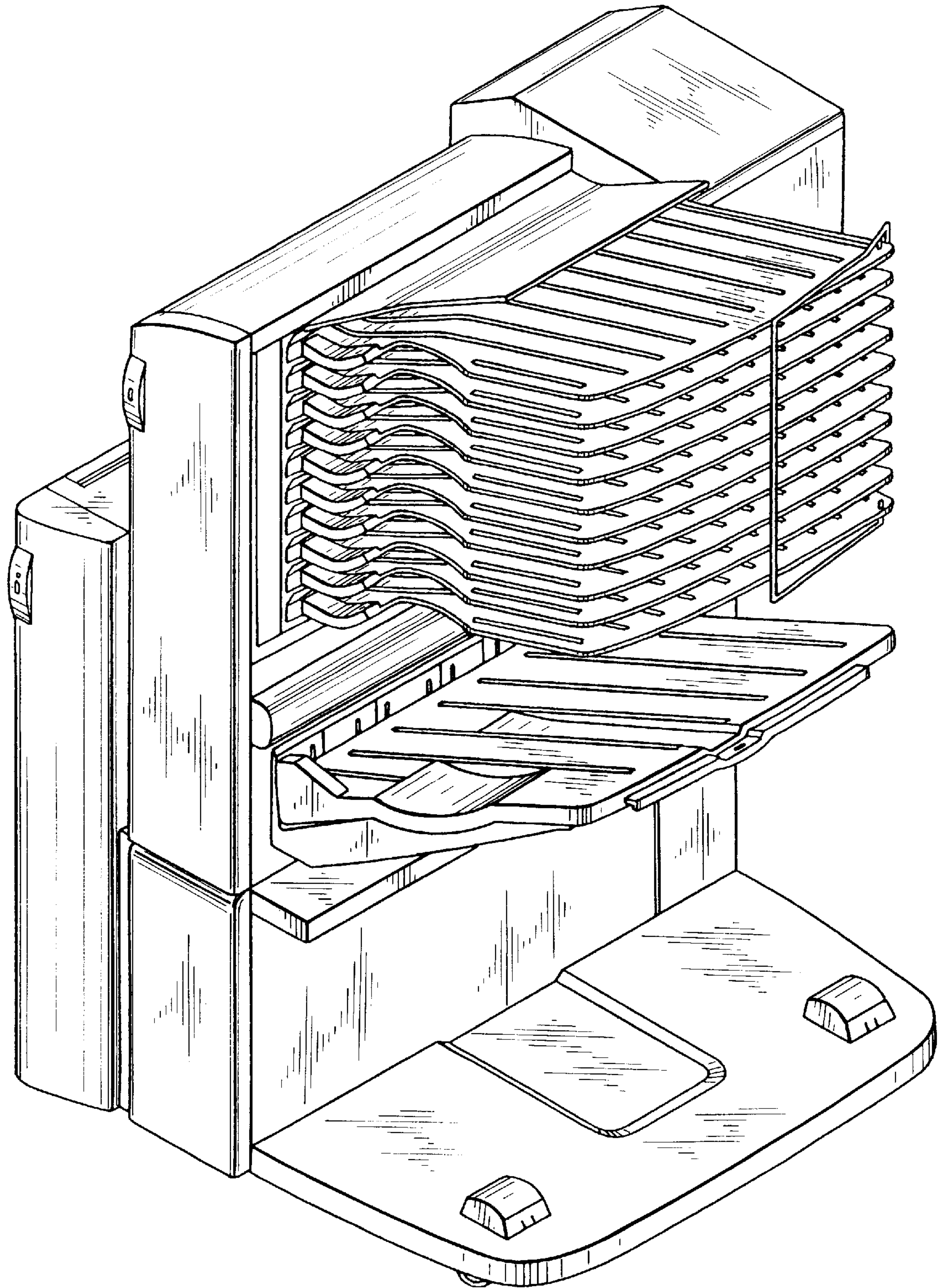


FIG. 2

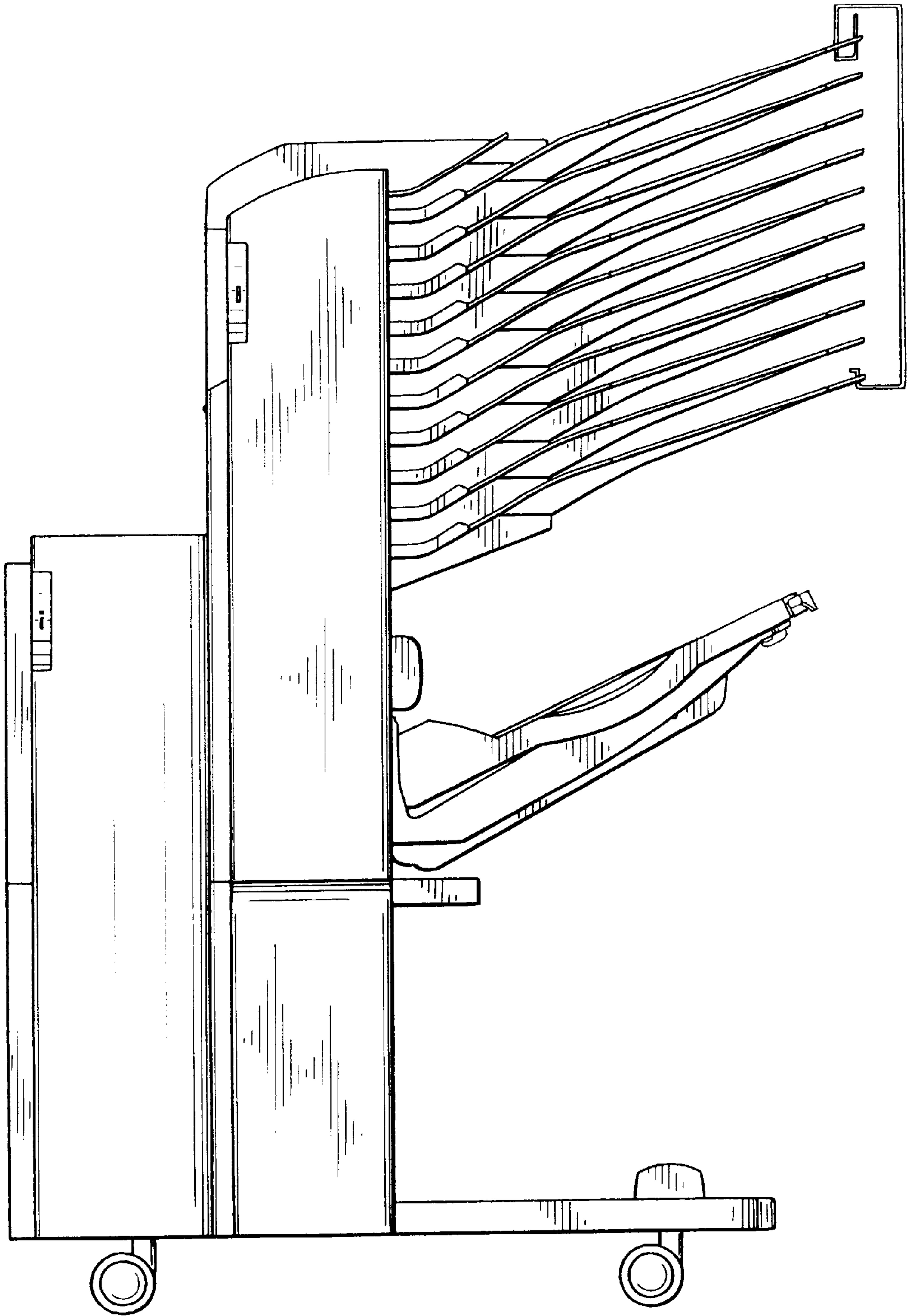


FIG. 3

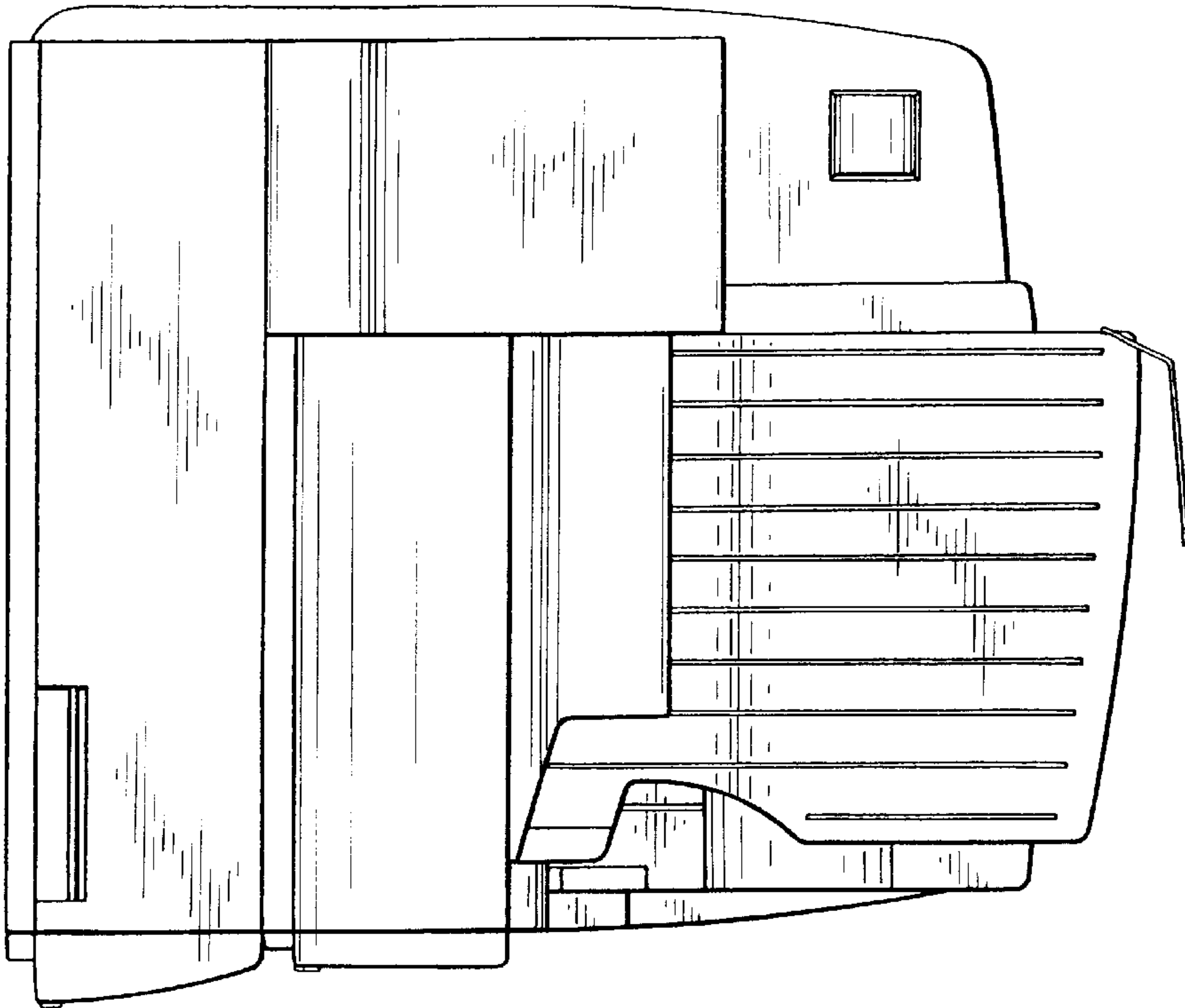


FIG. 4

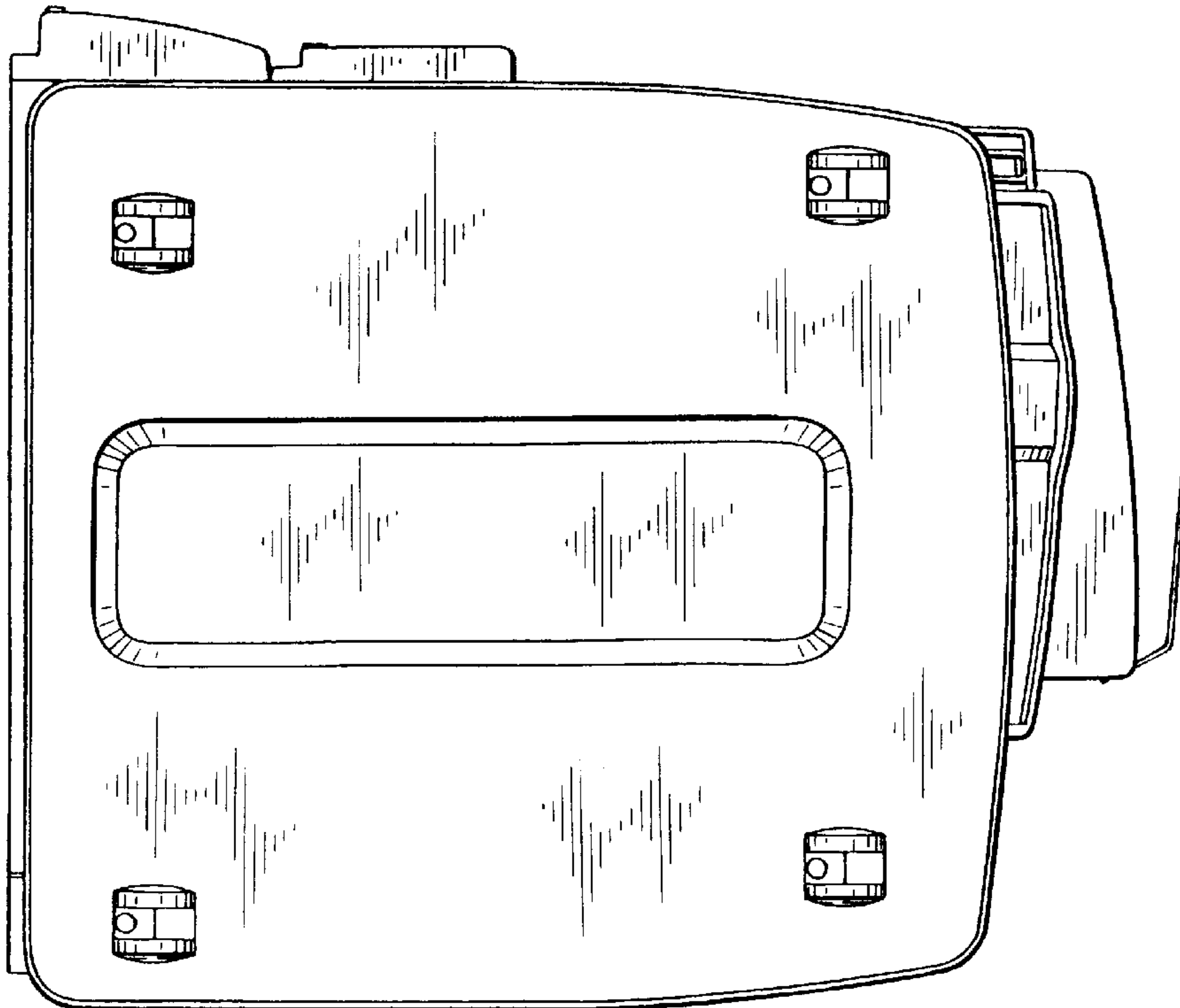


FIG. 5

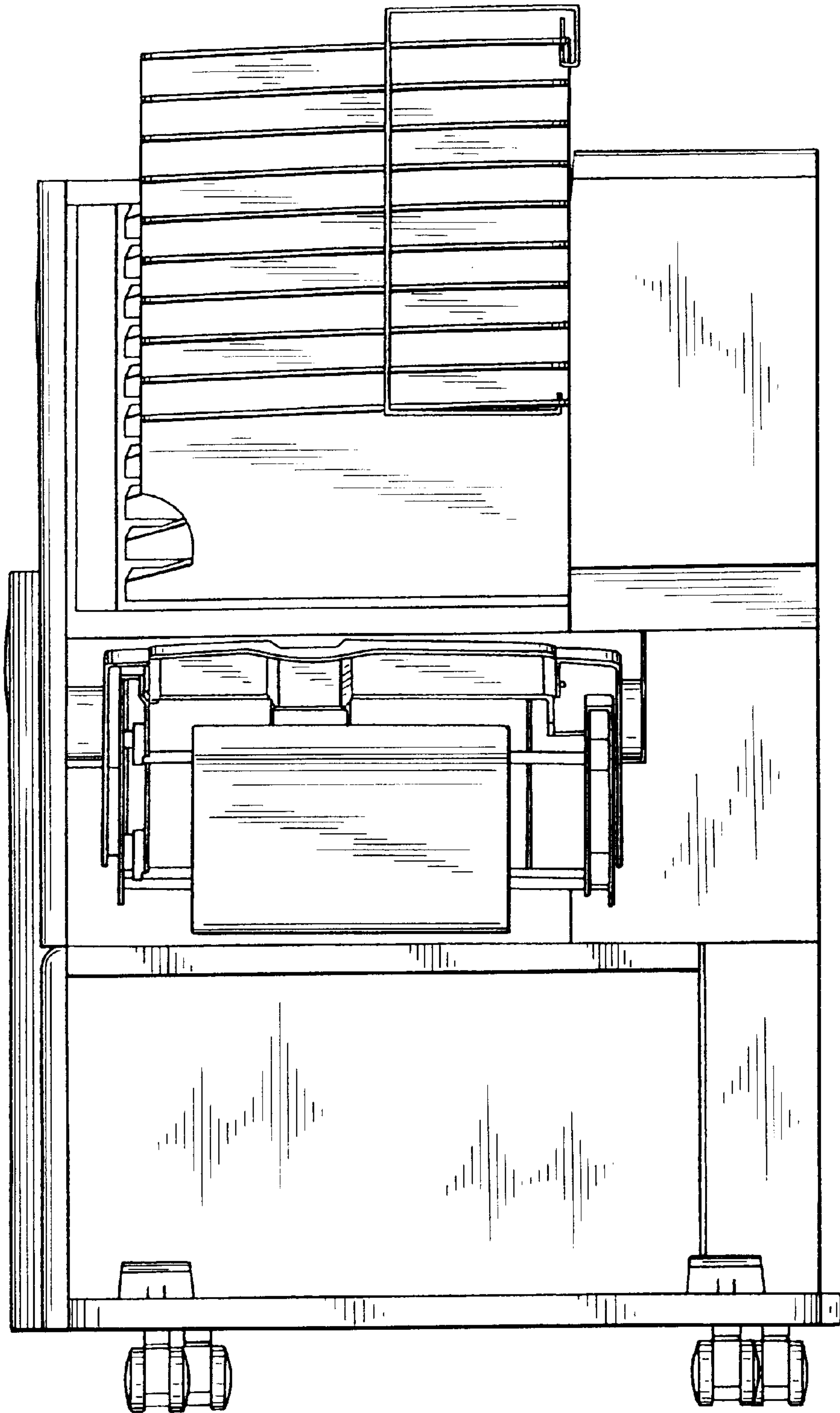


FIG. 6

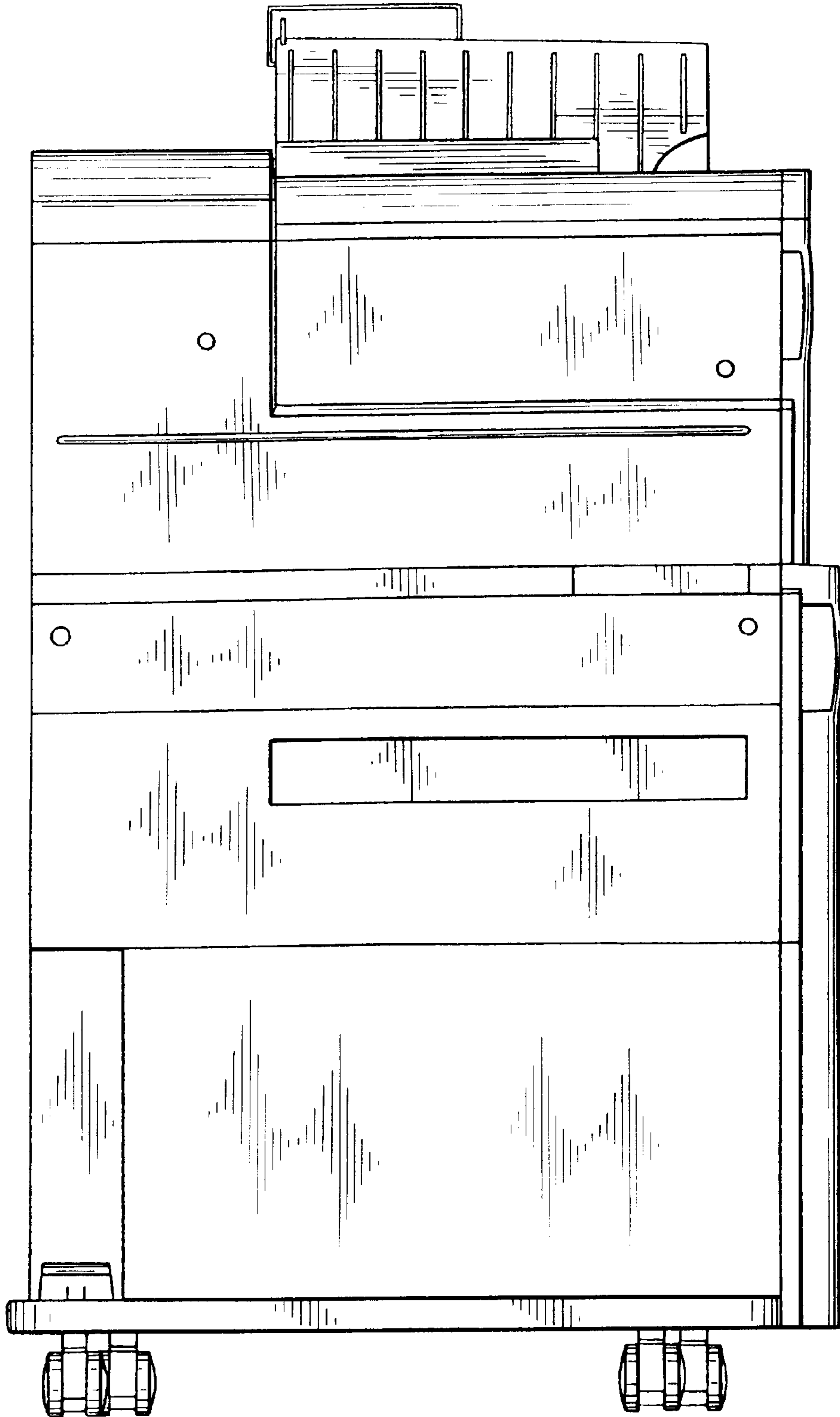


FIG. 7

