



US00D430197S

United States Patent [19]

[11] Patent Number: **Des. 430,197**

Wang et al.

[45] Date of Patent: **** Aug. 29, 2000**

[54] **TONER CARTRIDGE**

[76] Inventors: **Jui-Chi Wang; Robin Hsu; Ya-Li Huang; Kuan-Tung Li**, all of No. 498, Sec 1, Yung-Shing Rd., Wu-Chi Town, Taichung County, Taiwan

[**] Term: **14 Years**

[21] Appl. No.: **29/114,980**

[22] Filed: **Dec. 2, 1999**

[51] **LOC (7) Cl.** **16-03**

[52] **U.S. Cl.** **D18/43**

[58] **Field of Search** D18/36, 40, 43, D18/56; 399/24, 25, 27, 28, 35, 252, 262; 222/DIG. 1

D. 389,176	1/1998	Ichikawa et al.	D18/43
D. 400,916	11/1998	Ui et al.	D18/43
D. 403,014	12/1998	Kura et al.	D18/43
D. 403,348	12/1998	Matsuoka et al.	D18/43
D. 404,758	1/1999	Koide	D18/43
D. 406,162	2/1999	Tatsumi	D18/43
6,064,846	5/2000	Wang et al.	399/262

Primary Examiner—Caron D. Veynar
Attorney, Agent, or Firm—Pro-Techtor International Services

[57] CLAIM

The ornamental design for a toner cartridge, as shown and described.

DESCRIPTION

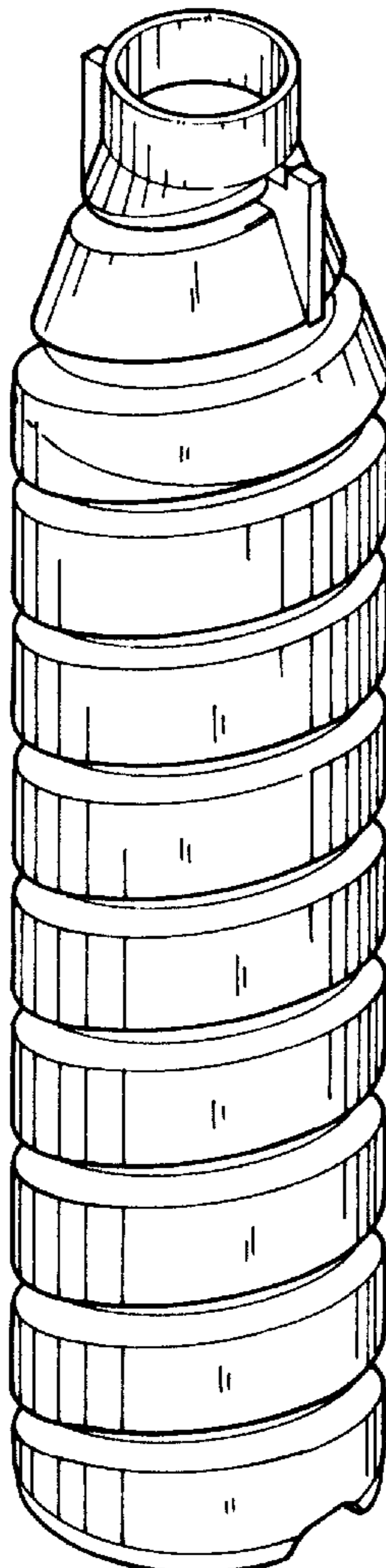
FIG. 1 is a perspective view of the toner cartridge of the present invention.
FIG. 2 is a front view of the toner cartridge.
FIG. 3 is a rear view of the toner cartridge.
FIG. 4 is a left side view of the toner cartridge.
FIG. 5 is a right side view of the toner cartridge.
FIG. 6 is a top side view of the toner cartridge; and,
FIG. 7 is a bottom side view of the toner cartridge.

[56] References Cited

U.S. PATENT DOCUMENTS

D. 351,187	10/1994	Suga	D18/43
D. 356,813	3/1995	Ichikawa et al.	D18/43
D. 364,184	11/1995	Satake et al.	D18/43
D. 365,359	12/1995	Ichikawa et al.	D18/43
D. 376,614	12/1996	Ichikawa et al.	D18/43

1 Claim, 6 Drawing Sheets



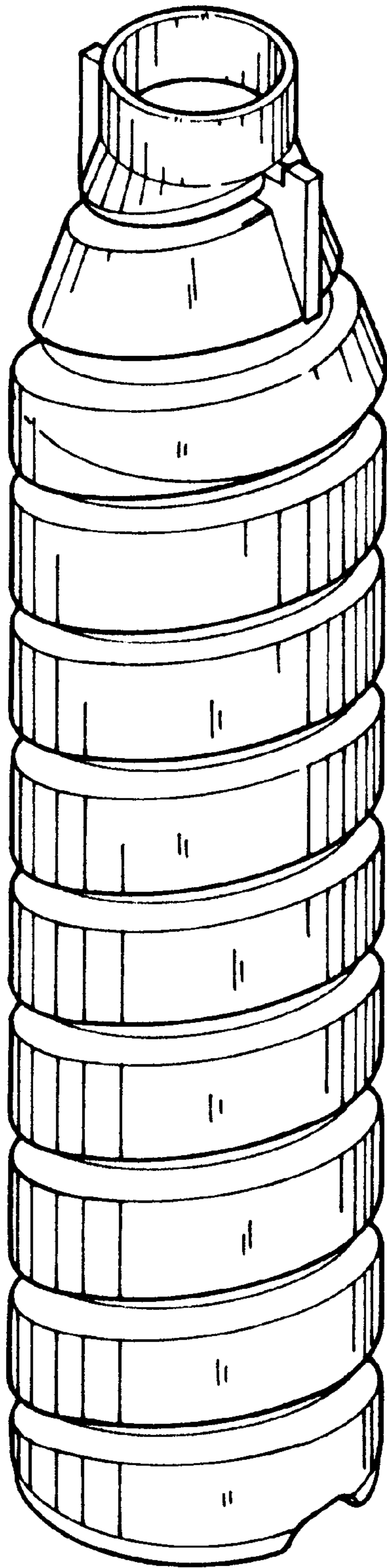


FIG. 1

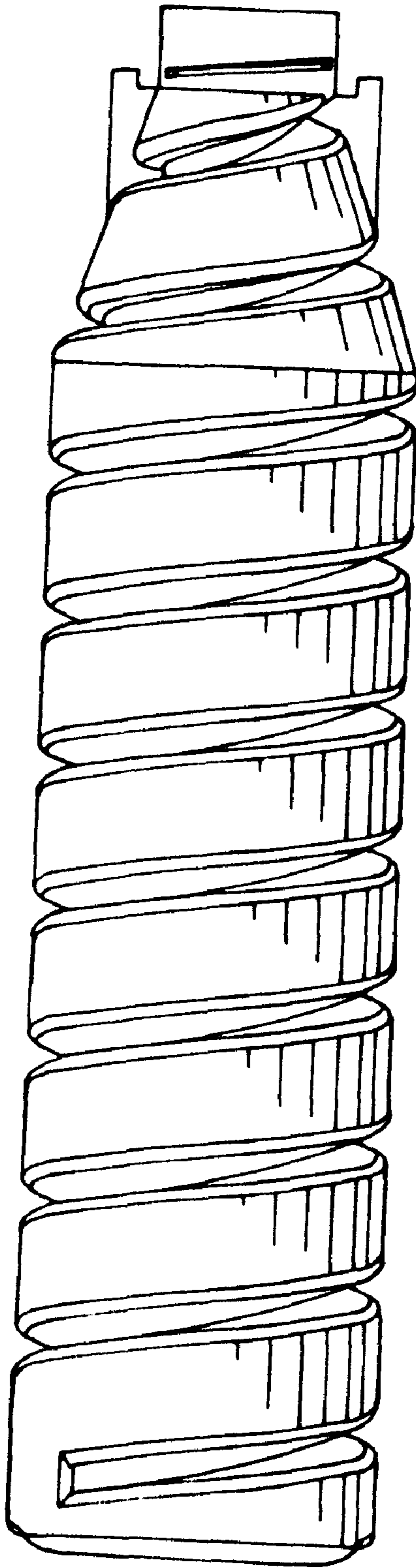


FIG. 2

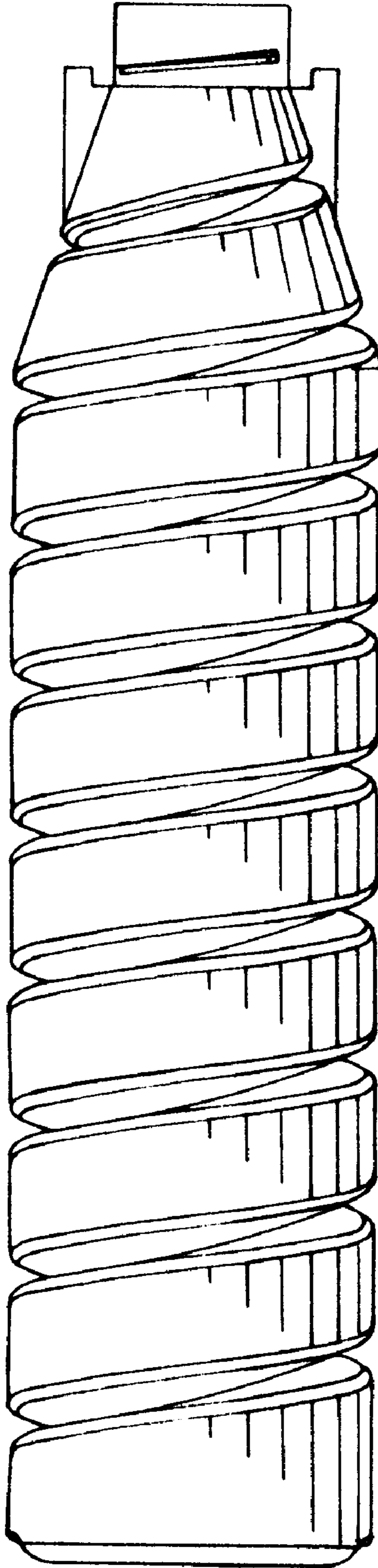


FIG. 3

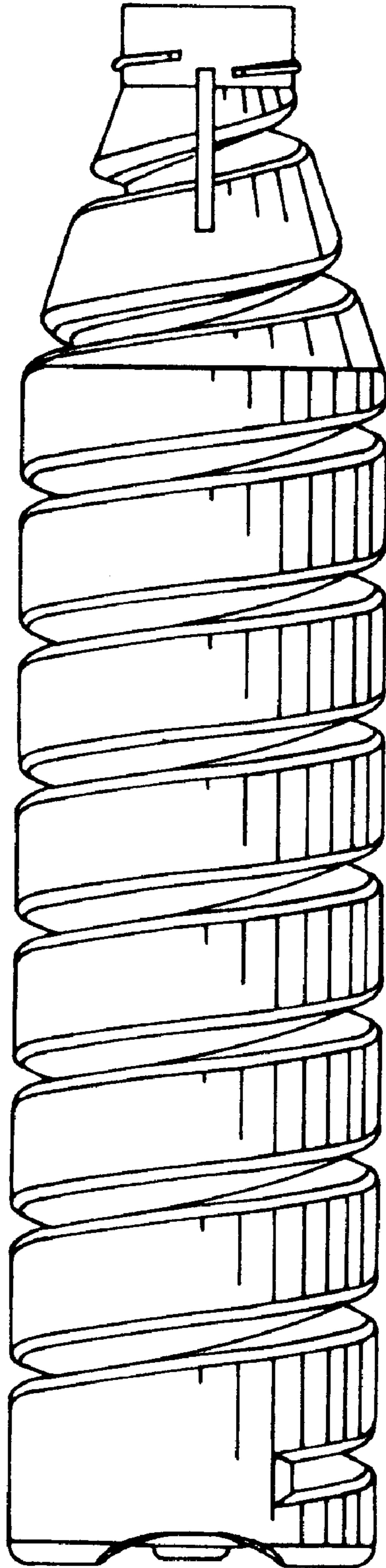


FIG. 4

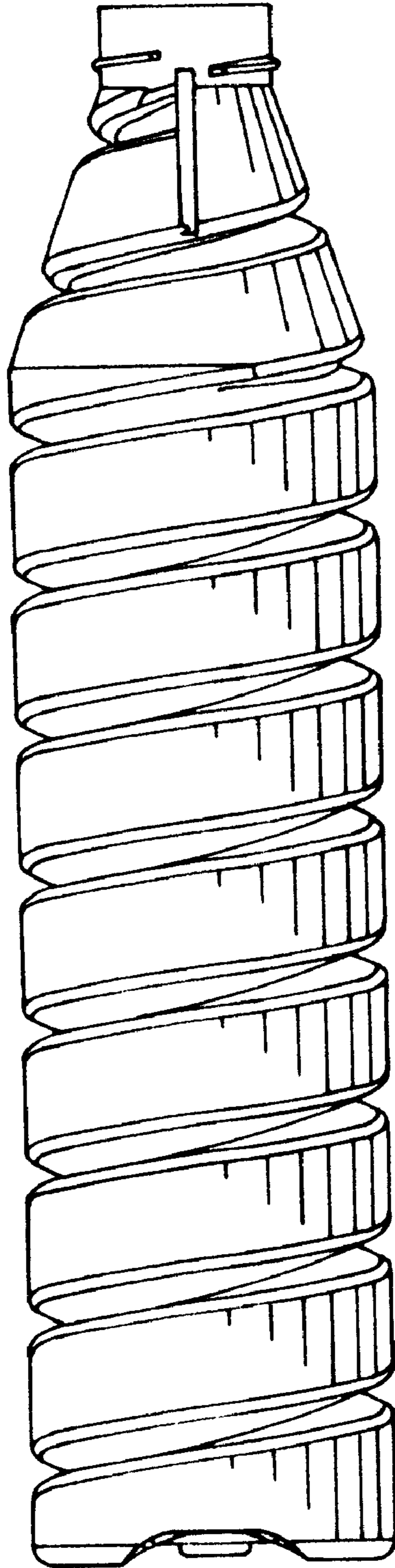


FIG. 5

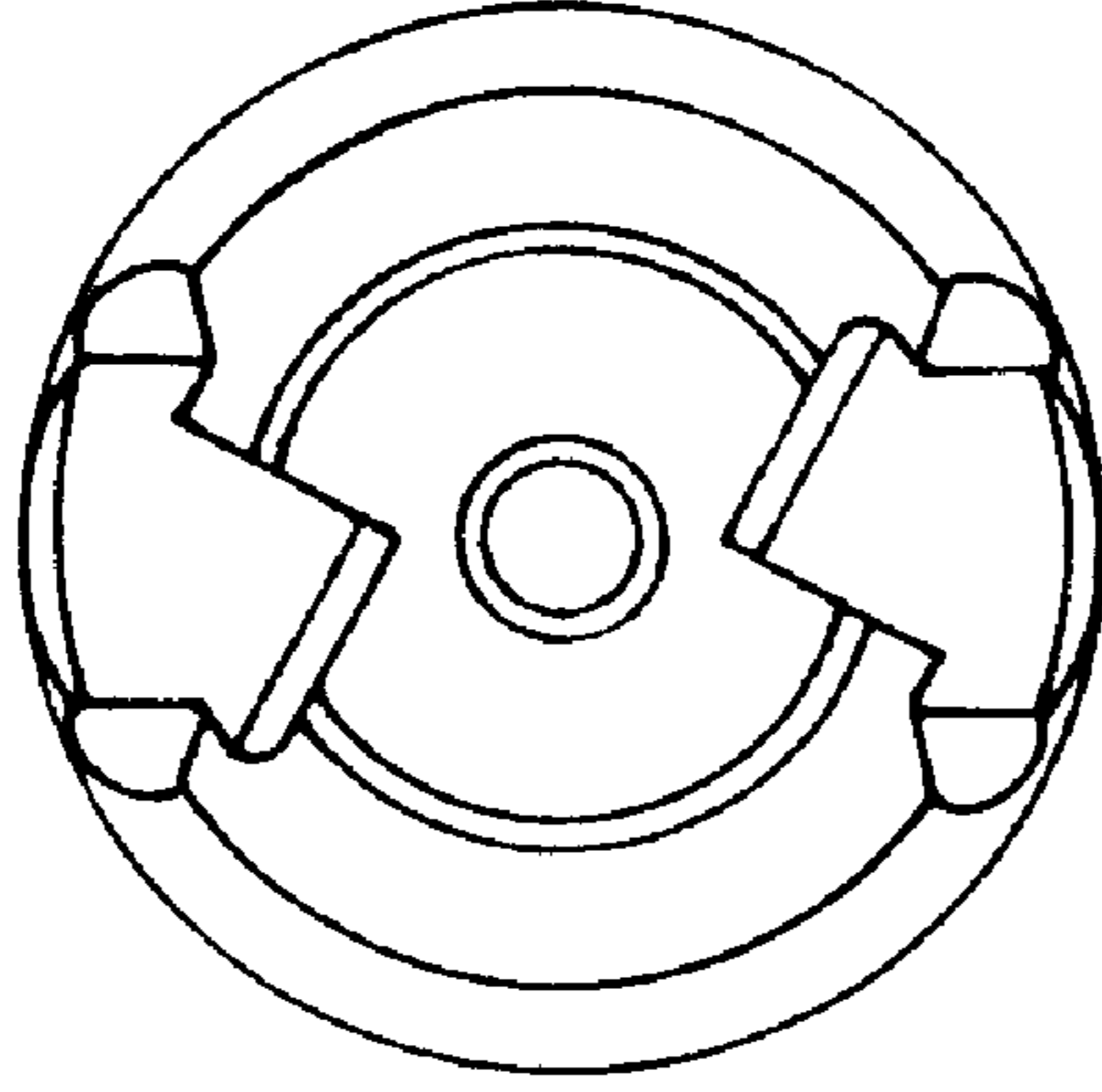


FIG. 7

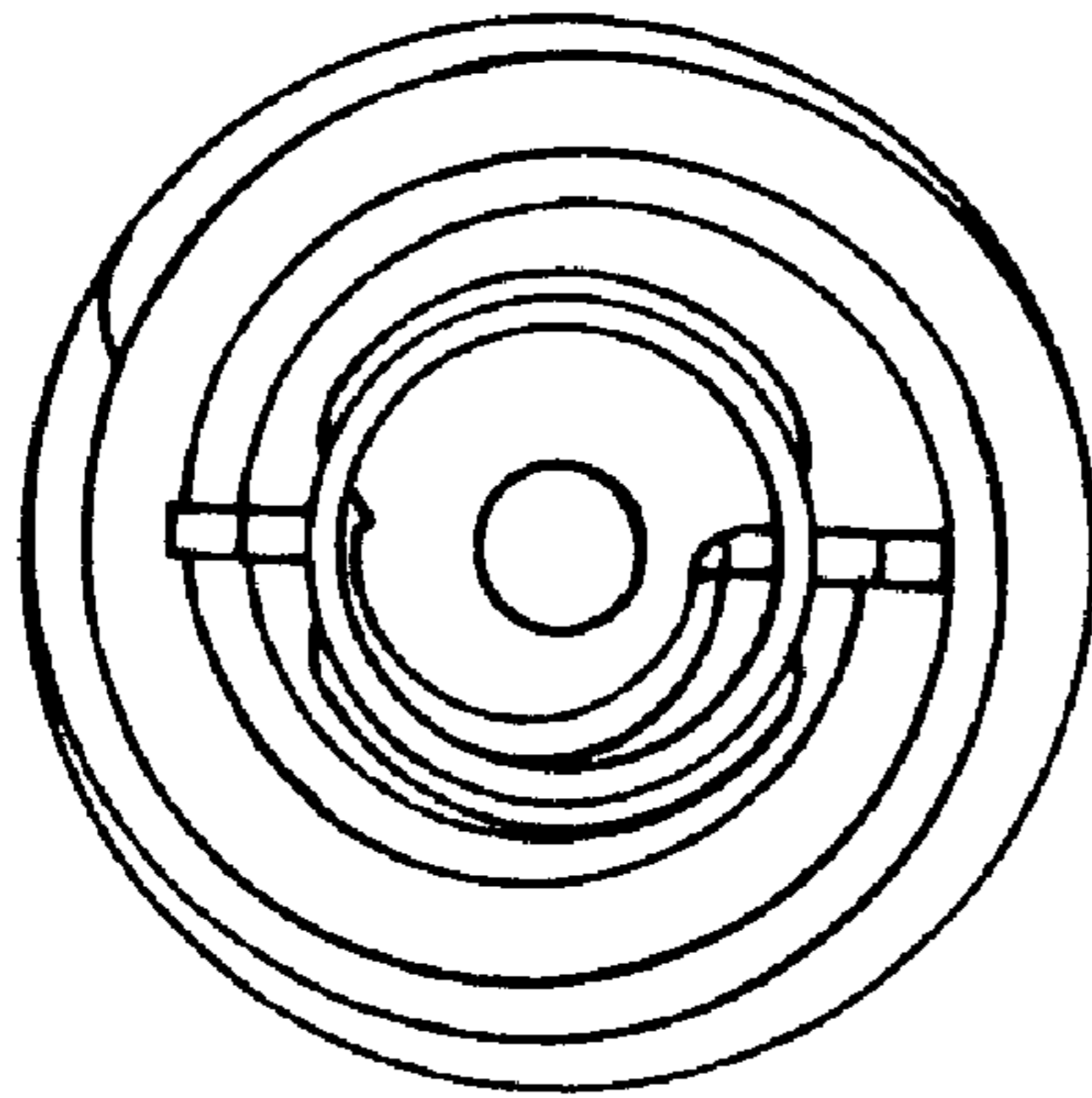


FIG. 6