



US00D430189S

United States Patent [19]

Rodriguez, Jr.

[11] Patent Number: Des. 430,189

[45] Date of Patent: ** Aug. 29, 2000

[54] INTEGRATED PROJECTION SYSTEM

3,610,728	10/1971	Firth	359/446
4,668,046	5/1987	Yatabe et al.	359/457
5,582,473	12/1996	Toide et al.	353/74

[75] Inventor: Ernesto M. Rodriguez, Jr., Austin, Tex.

[73] Assignee: 3M Innovative Properties Company, St. Paul, Minn.

Primary Examiner—Adir Aronovich
Attorney, Agent, or Firm—Nestor F. Ho

[**] Term: 14 Years

[57] CLAIM

[21] Appl. No.: 29/101,503

The ornamental design for an integrated projection system, as shown and described.

[22] Filed: Mar. 3, 1999

DESCRIPTION

[51] LOC (7) Cl. 16-02

[52] U.S. Cl. D16/221

[58] Field of Search D16/221, 225,
D16/237, 241; 40/560; 353/74, 119, 122;
359/443, 446, 453, 457

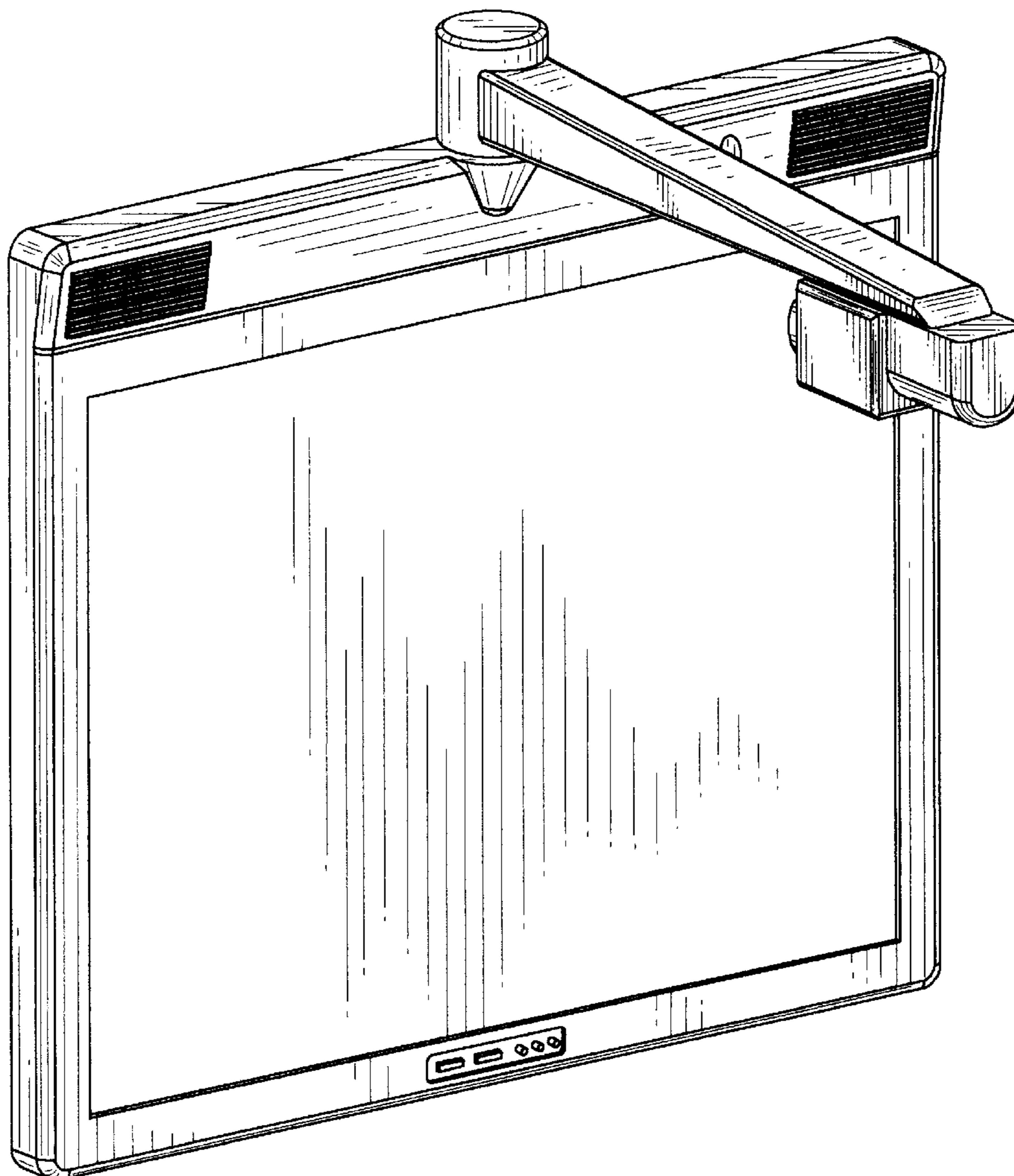
FIG. 1 is a top, front and right side isometric view of an integrated projection system showing my new design;
FIG. 2 is a left side elevational view thereof; and,
FIG. 3 is a top, front and left side isometric view thereof, with the projection arm being in an alternate position.

[56] References Cited

U.S. PATENT DOCUMENTS

D. 261,895 11/1981 Frisella D16/221

1 Claim, 3 Drawing Sheets



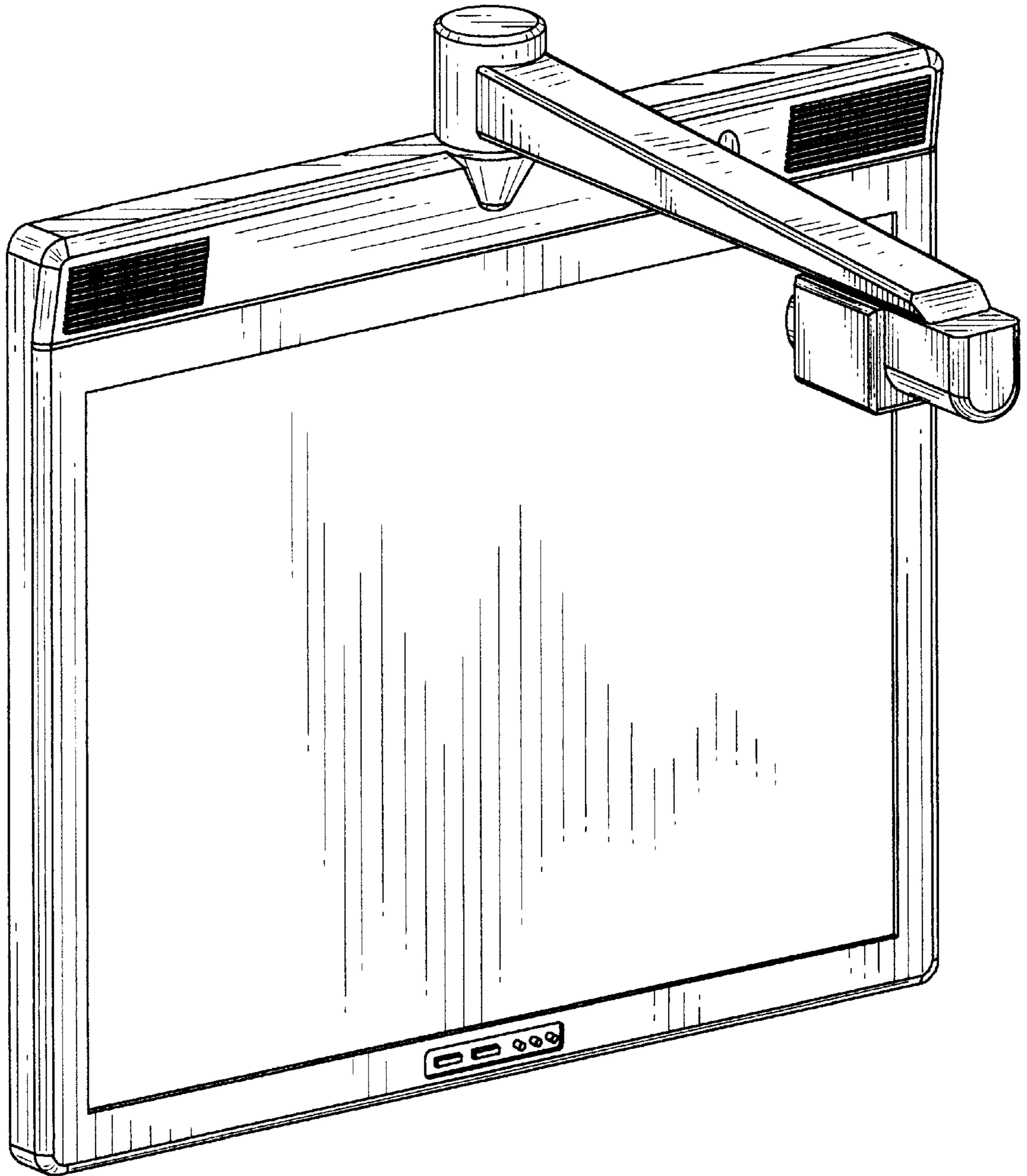


Fig. 1

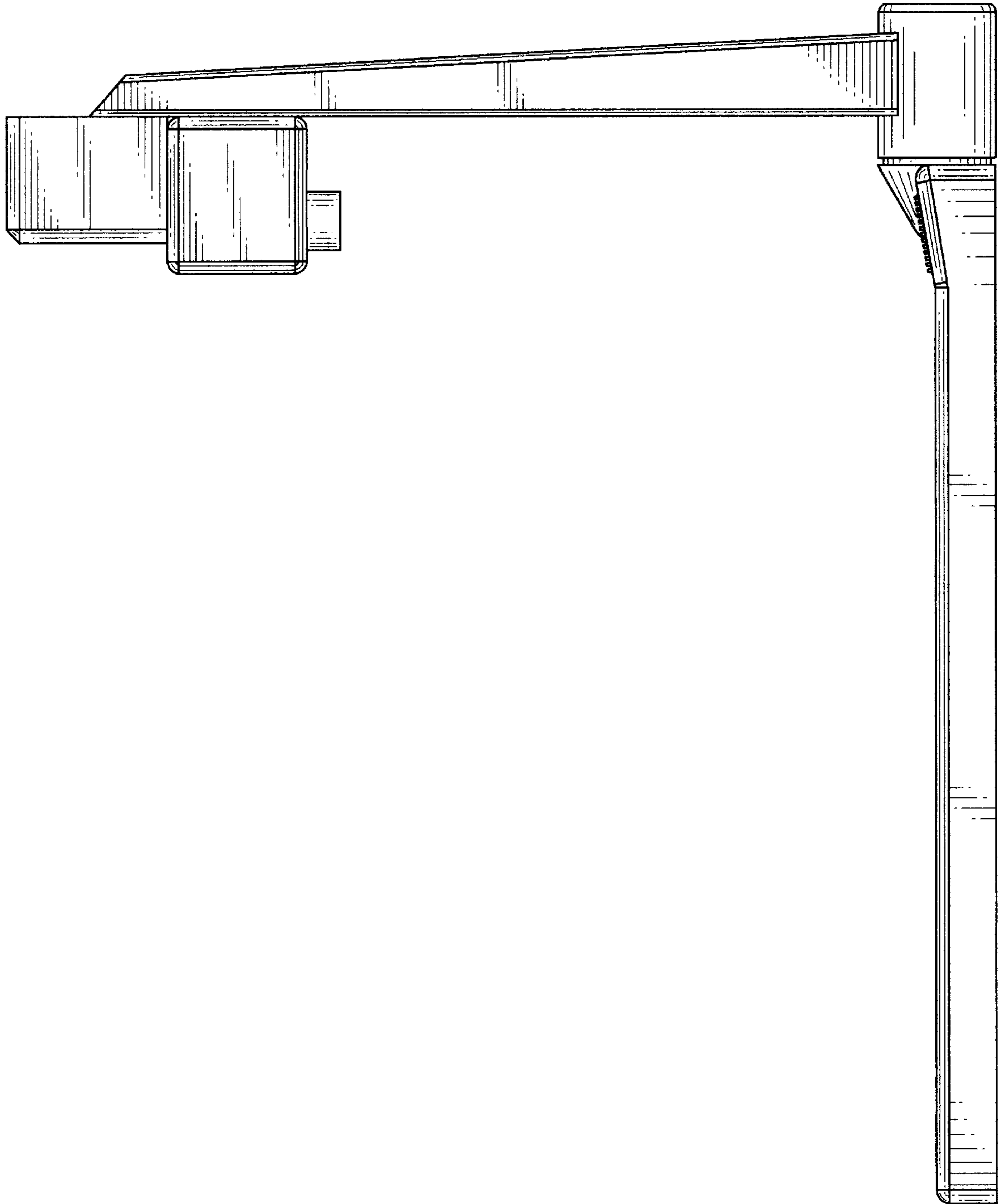


Fig. 2

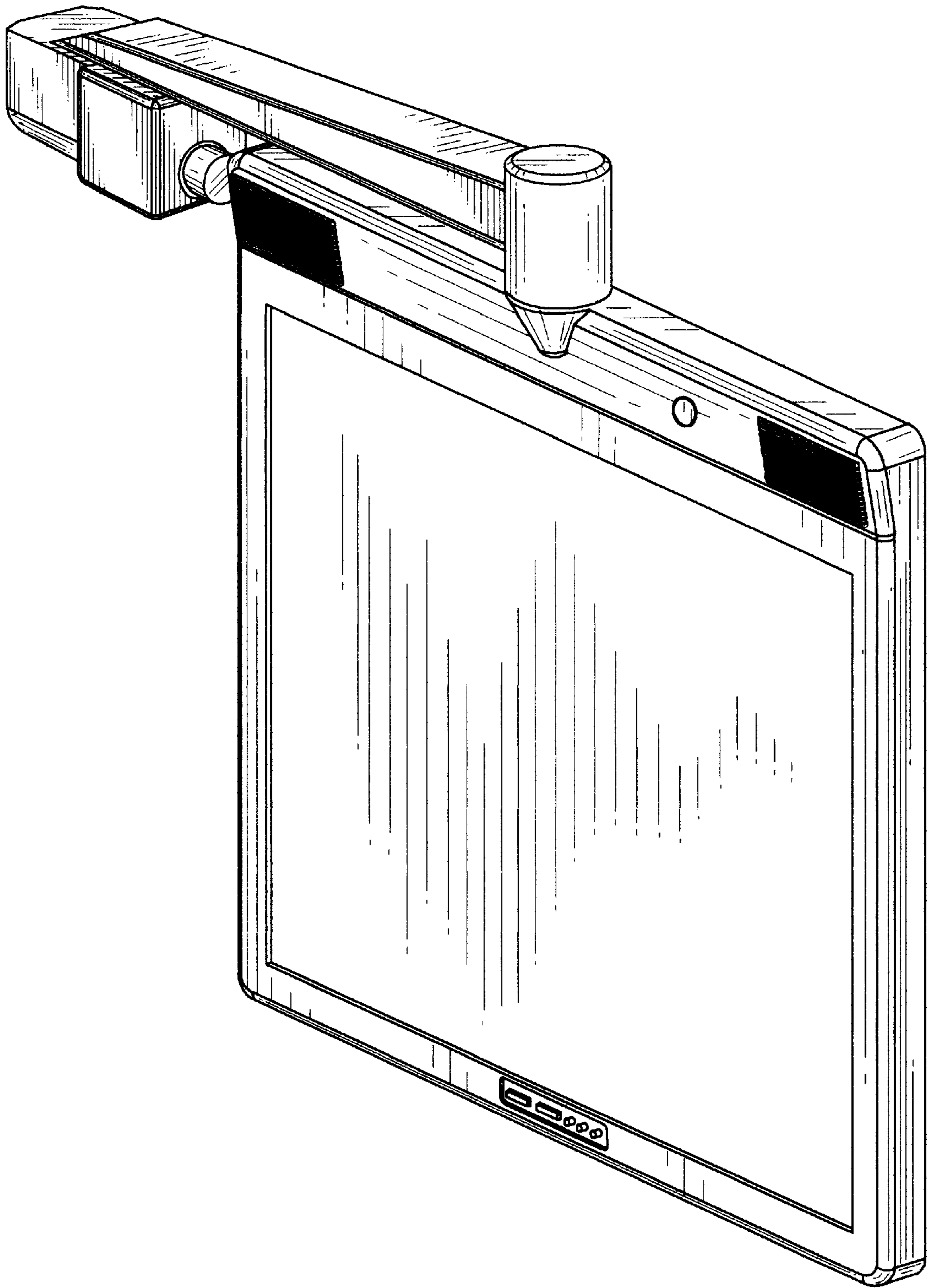


Fig. 3