

US00D430188S

United States Patent [19]

Ishibashi et al.

[11] **Patent Number: Des. 430,188**

[45] **Date of Patent: ** Aug. 29, 2000**

[54] **VIDEO CAMERA WITH DIGITAL VIDEO DISK PLAYER**

[75] Inventors: **Atsushi Ishibashi**, Kokubunji;
Atsutoshi Sato, Tachikawa, both of Japan

[73] Assignee: **Hitachi, Ltd.**, Tokyo, Japan

[**] Term: **14 Years**

[21] Appl. No.: **29/092,849**

[22] Filed: **Aug. 27, 1998**

[51] **LOC (7) Cl.** **16-05**

[52] **U.S. Cl.** **D16/219**; D14/136; D14/156;
D16/202

[58] **Field of Search** D14/135, 136,
D14/156, 496; D16/200, 202, 208, 209,
218, 219, 237; 348/373-376; 358/906,
909.1; 396/429, 439

[56] **References Cited**

U.S. PATENT DOCUMENTS

D. 239,407	3/1976	van de Poel	D14/136
D. 364,884	12/1995	Shindo	D16/202
D. 385,289	10/1997	Tsui	D16/218
D. 385,879	11/1997	Isonaga	D14/156
D. 412,519	8/1999	Omino et al.	D16/218

Primary Examiner—Adir Aronovich
Attorney, Agent, or Firm—Antonelli, Terry, Stout & Kraus, LLP

[57] **CLAIM**

The ornamental design for a video camera with digital video disk player, as shown and described.

DESCRIPTION

FIG. 1 is a front, top and right side perspective view of a video camera with digital video disk player showing our new design;

FIG. 2 is a top plan view thereof;

FIG. 3 is a front elevational view thereof;

FIG. 4 is a left side elevational view thereof;

FIG. 5 is a right side elevational view thereof;

FIG. 6 is a bottom plan view thereof; and,

FIG. 7 is a rear side elevational view thereof.

A video camera with digital video disk player has a semi-circular protuberance which suggests a disk on the surface of the body of the camera which includes a disk for recording images and sounds. The protuberance symbolizes a part of the disk camera and provides a high class impression.

The broken line showing of FIGS. 1-7 is for illustrative purposes of the environment only and forms no part of the claimed design.

1 Claim, 4 Drawing Sheets

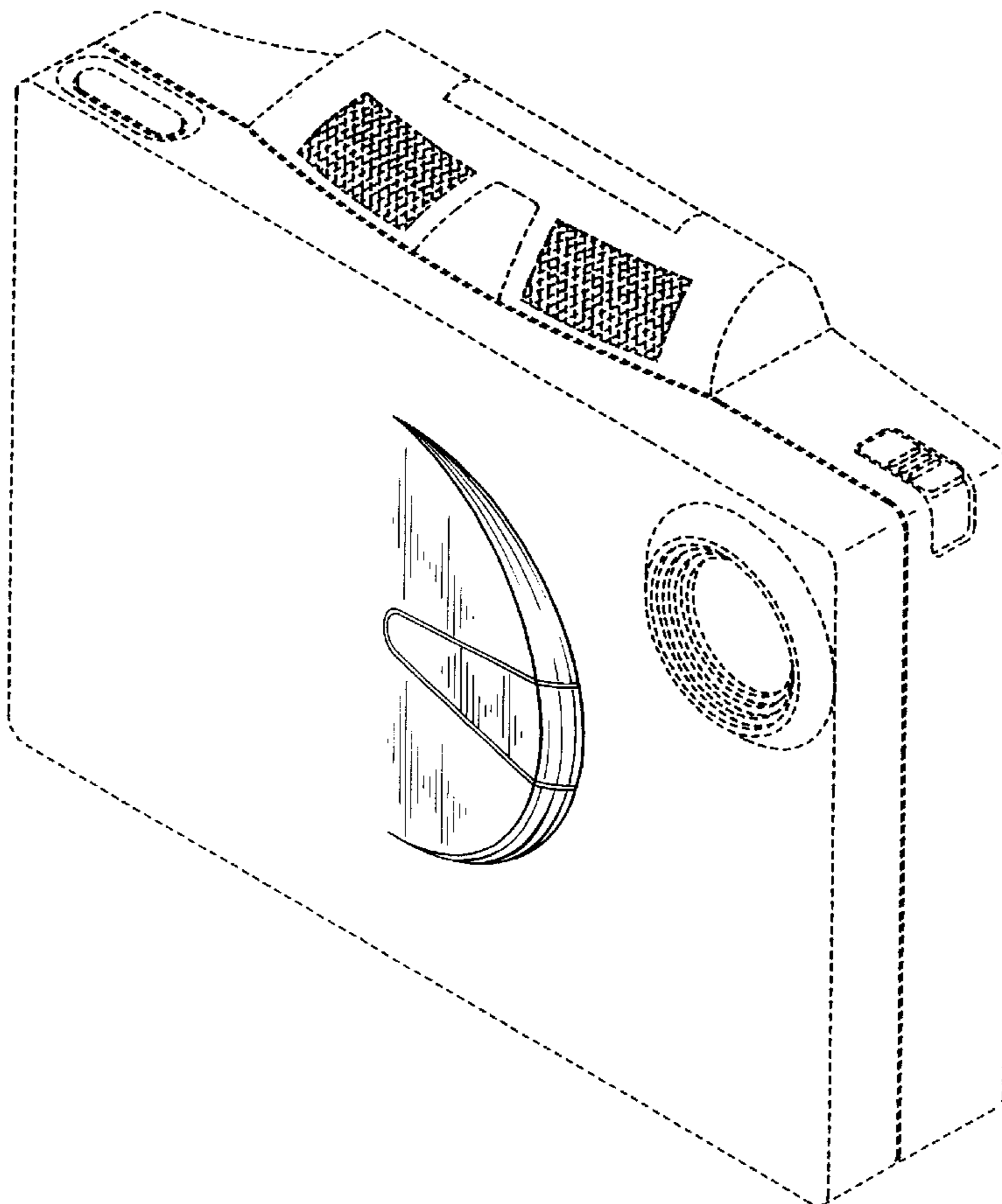


FIG. 1

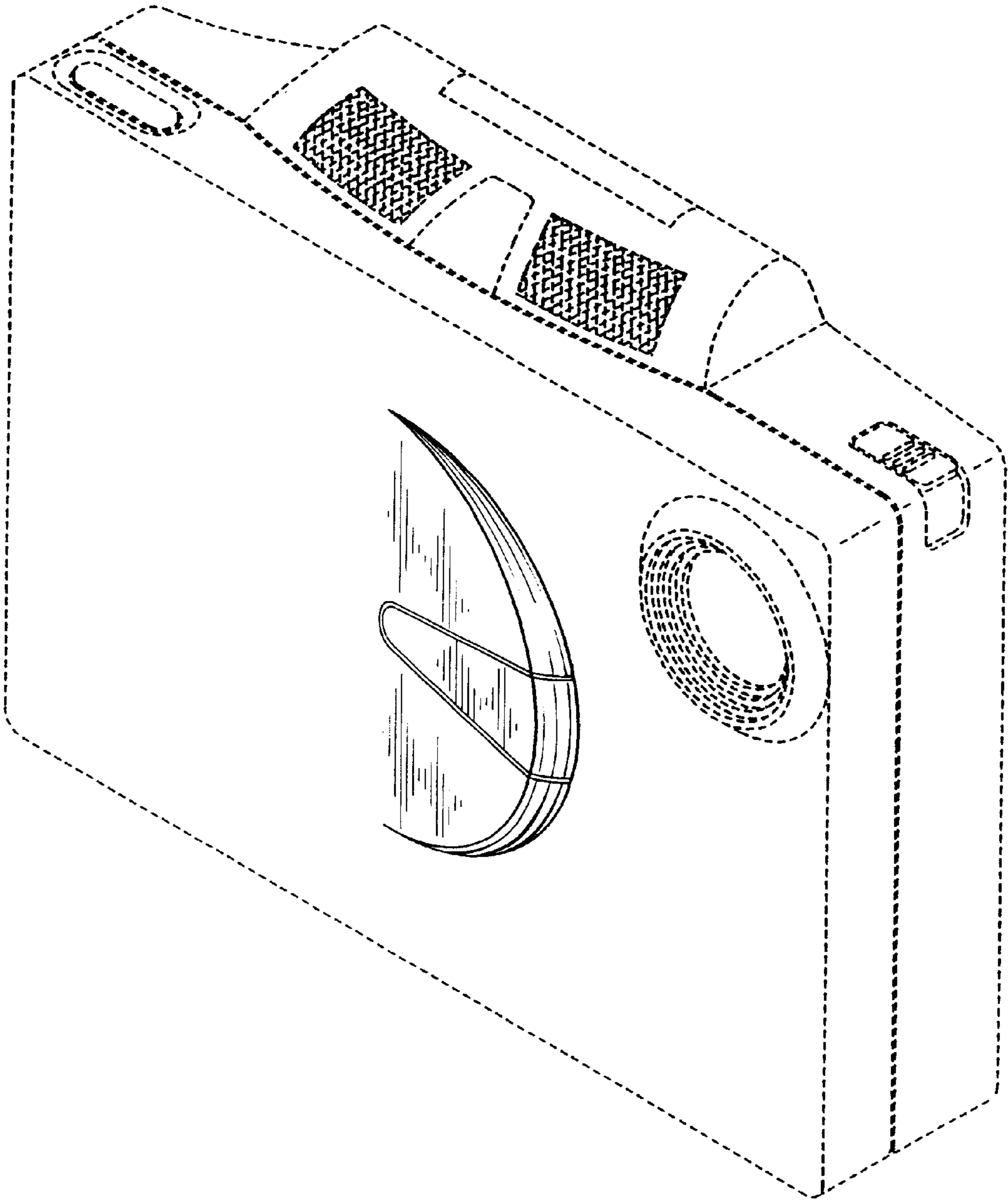


FIG. 2

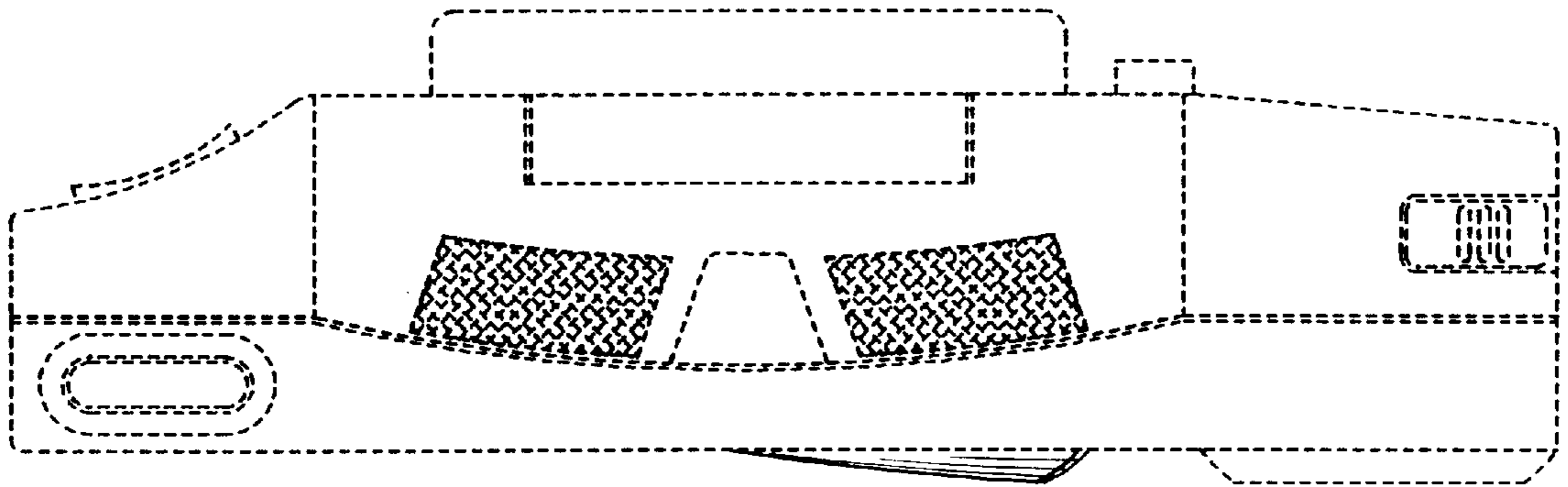


FIG. 3

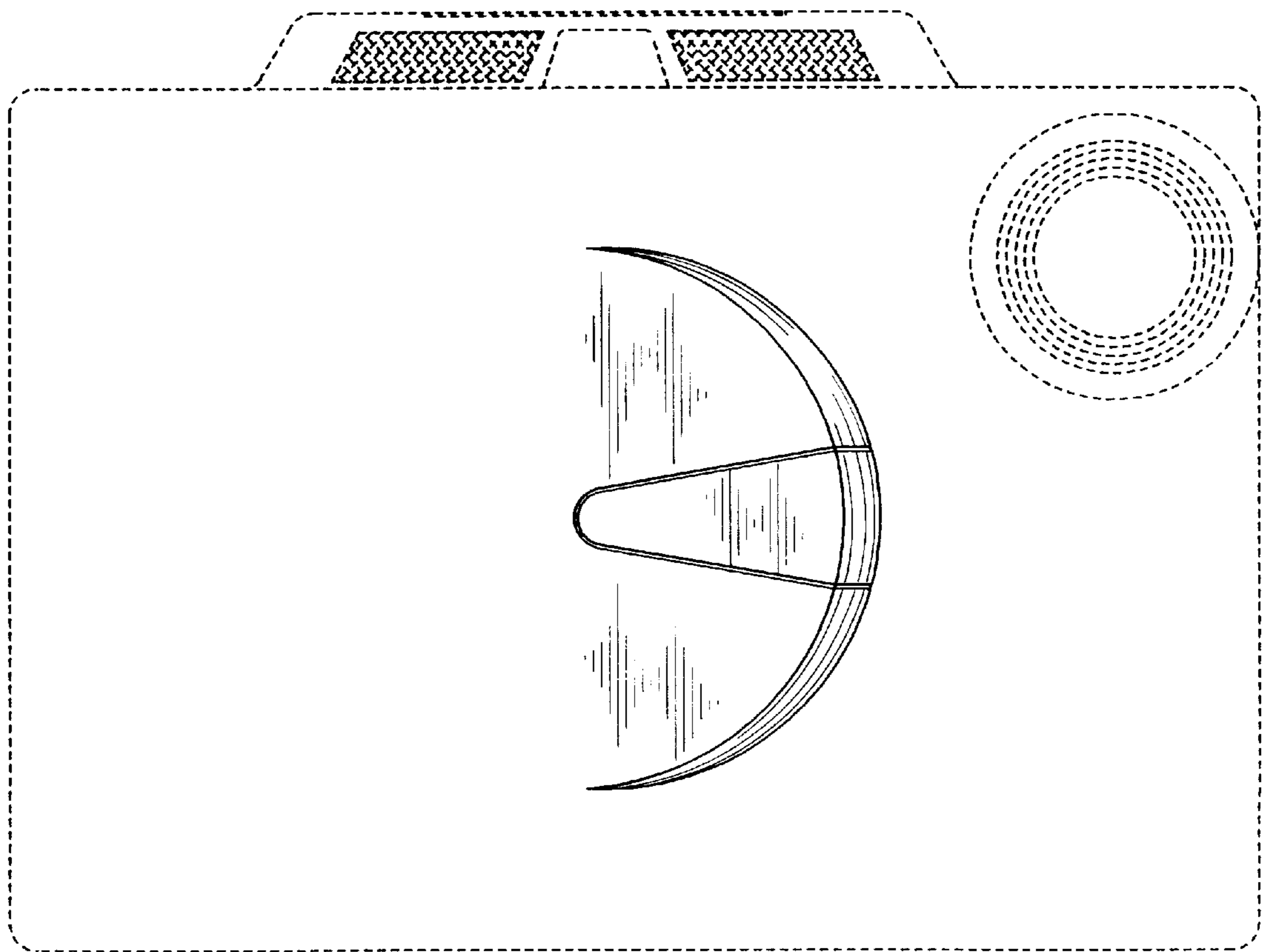


FIG. 4

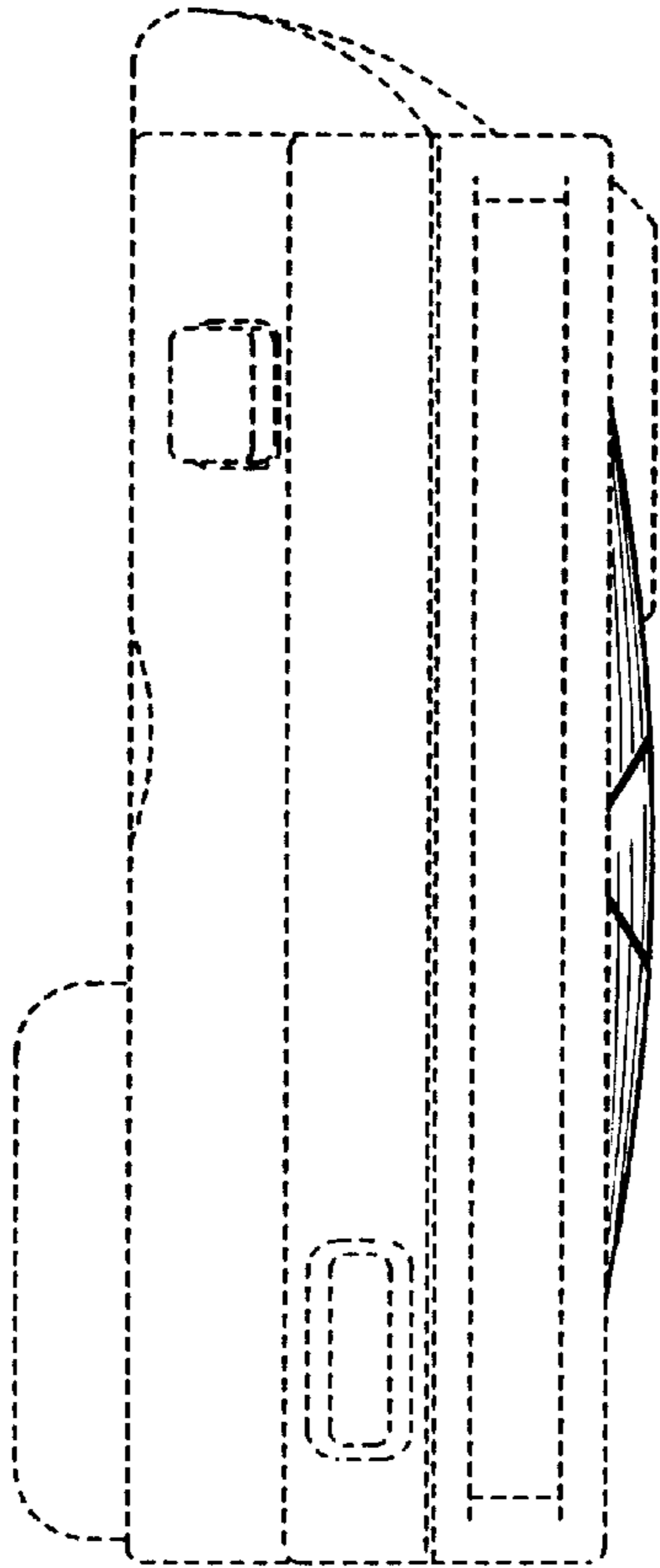


FIG. 5

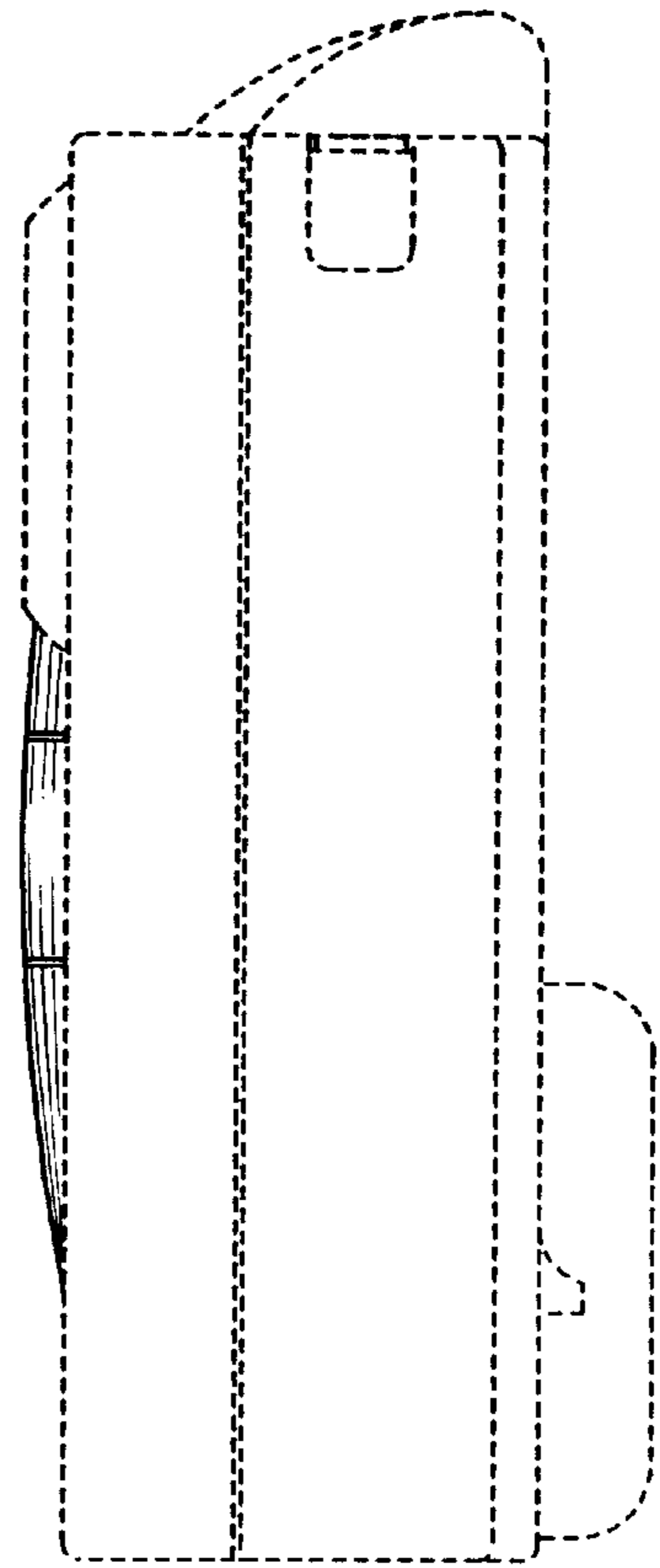


FIG. 6

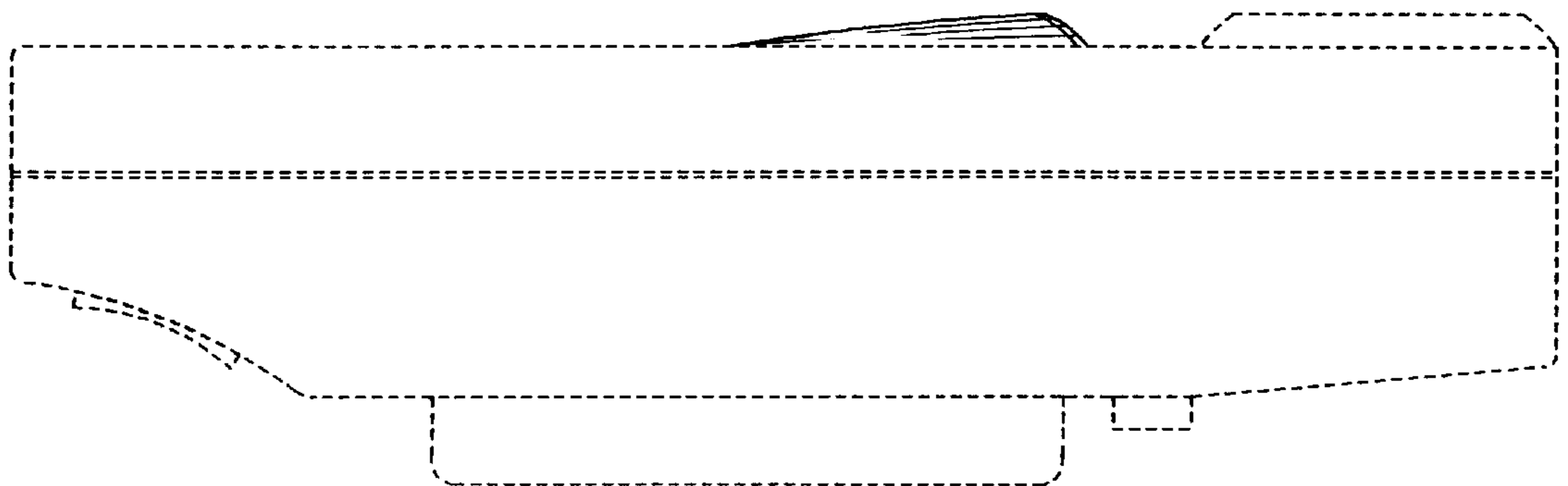


FIG. 7

