



US00D430187S

United States Patent [19]

Naito

[11] Patent Number: **Des. 430,187**

[45] Date of Patent: **** Aug. 29, 2000**

[54] CAMERA

D. 407,098 3/1999 Goto et al. D16/202
5,456,931 10/1995 Egger et al. 358/906

[75] Inventor: **Yoshitaka Naito**, Ome, Japan

OTHER PUBLICATIONS

Olympus catalog of a digital camera C-2000ZOOM, published Oct. 5, 1999.

[73] Assignee: **Olympus Optical**, Tokyo, Japan

Primary Examiner—Adir Aronovich
Attorney, Agent, or Firm—Hogan & Hartson LLP

[**] Term: **14 Years**

[21] Appl. No.: **29/115,968**

[22] Filed: **Dec. 20, 1999**

[57] CLAIM

[30] Foreign Application Priority Data

Oct. 4, 1999 [JP] Japan 11-26559

The ornamental design for a camera, as shown.

[51] LOC (7) Cl. **16-01**

DESCRIPTION

[52] U.S. Cl. **D16/218; D16/202**

FIG. 1 is a front, top and right side perspective view of a camera, showing my new design;
FIG. 2 is a rear, top and left side perspective view thereof;
FIG. 3 is a front elevational view thereof;
FIG. 4 is a top plan view thereof;
FIG. 5 is a rear elevational view thereof;
FIG. 6 is a bottom view thereof;
FIG. 7 is a left side elevational view thereof; and,
FIG. 8 is a right side elevational view thereof.

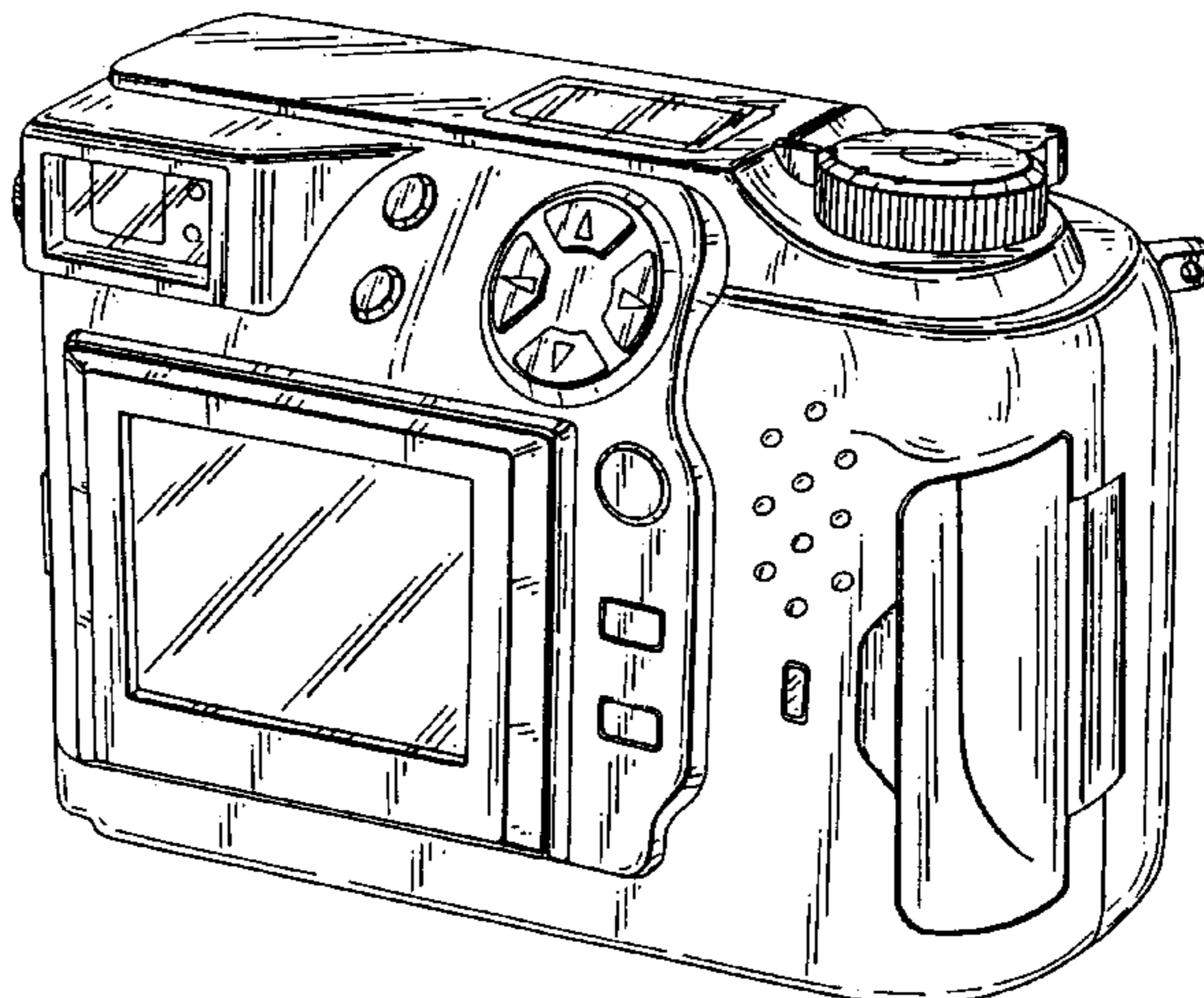
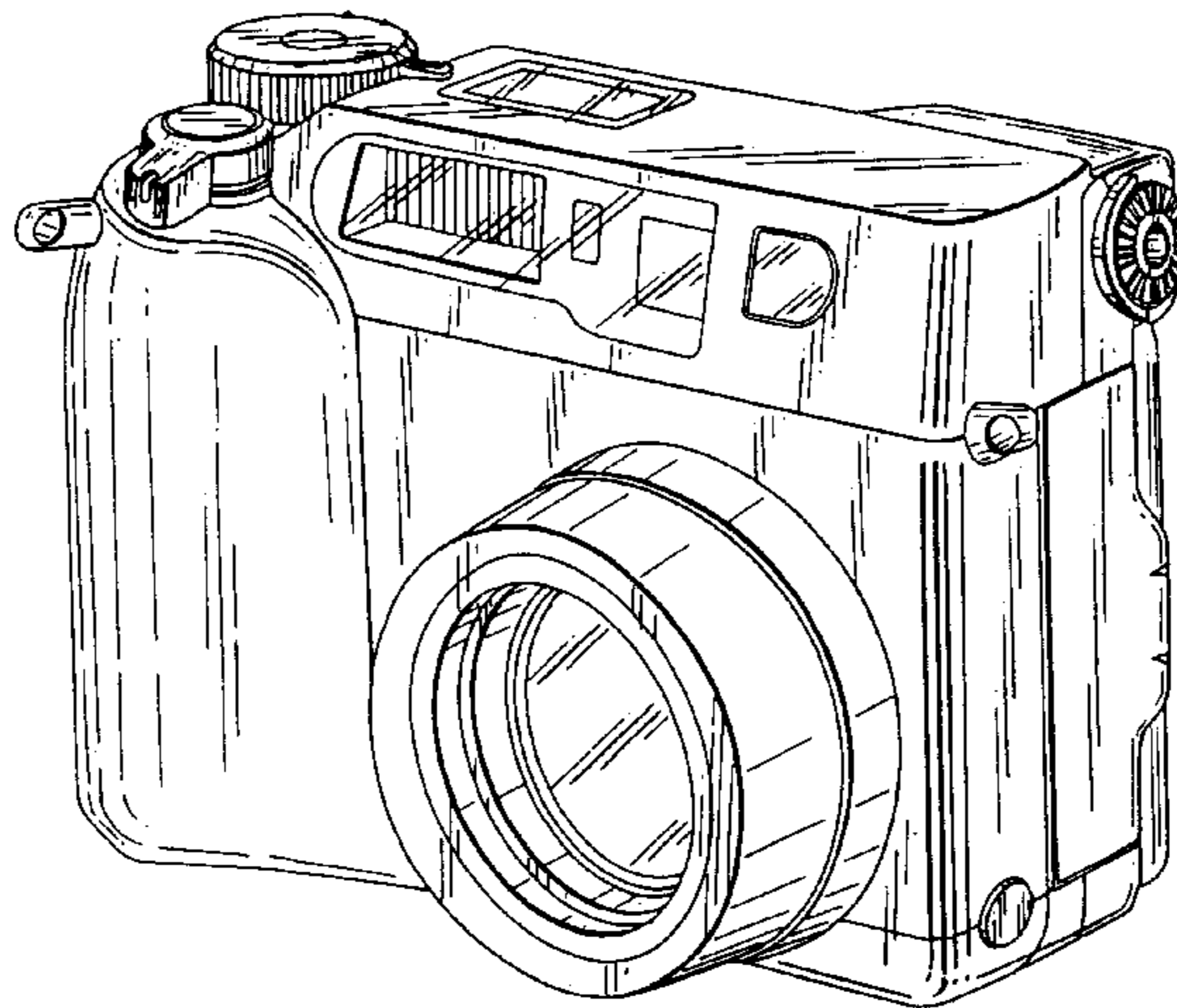
[58] Field of Search D16/200-205,
D16/208, 209, 217, 218; 348/373-376;
358/906, 909.1; 396/535-541

[56] References Cited

U.S. PATENT DOCUMENTS

D. 384,088 9/1997 Isozaki et al. D16/202
D. 385,569 10/1997 Takimura D16/202
D. 406,599 3/1999 Swayze et al. D16/202

1 Claim, 4 Drawing Sheets



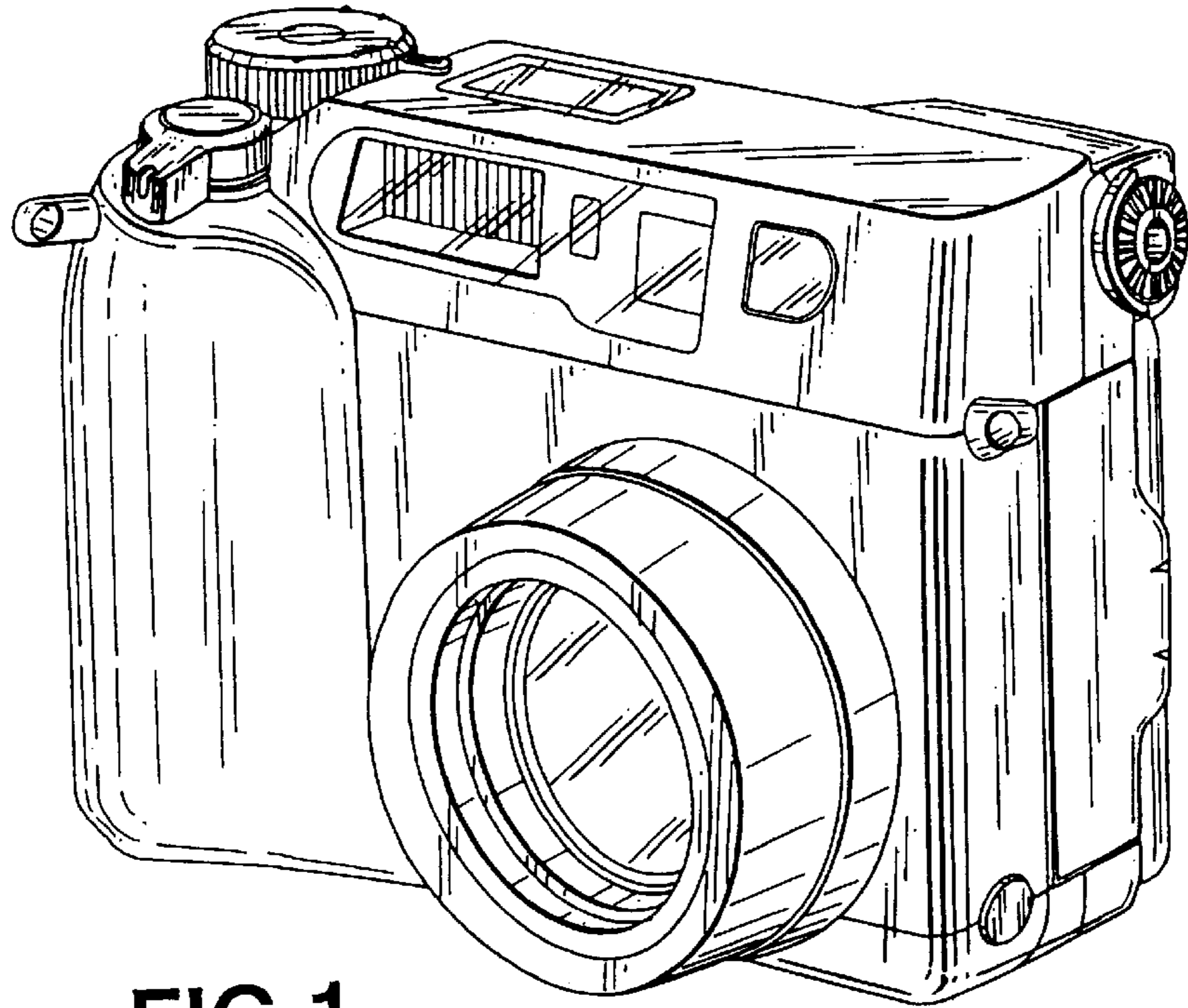


FIG. 1

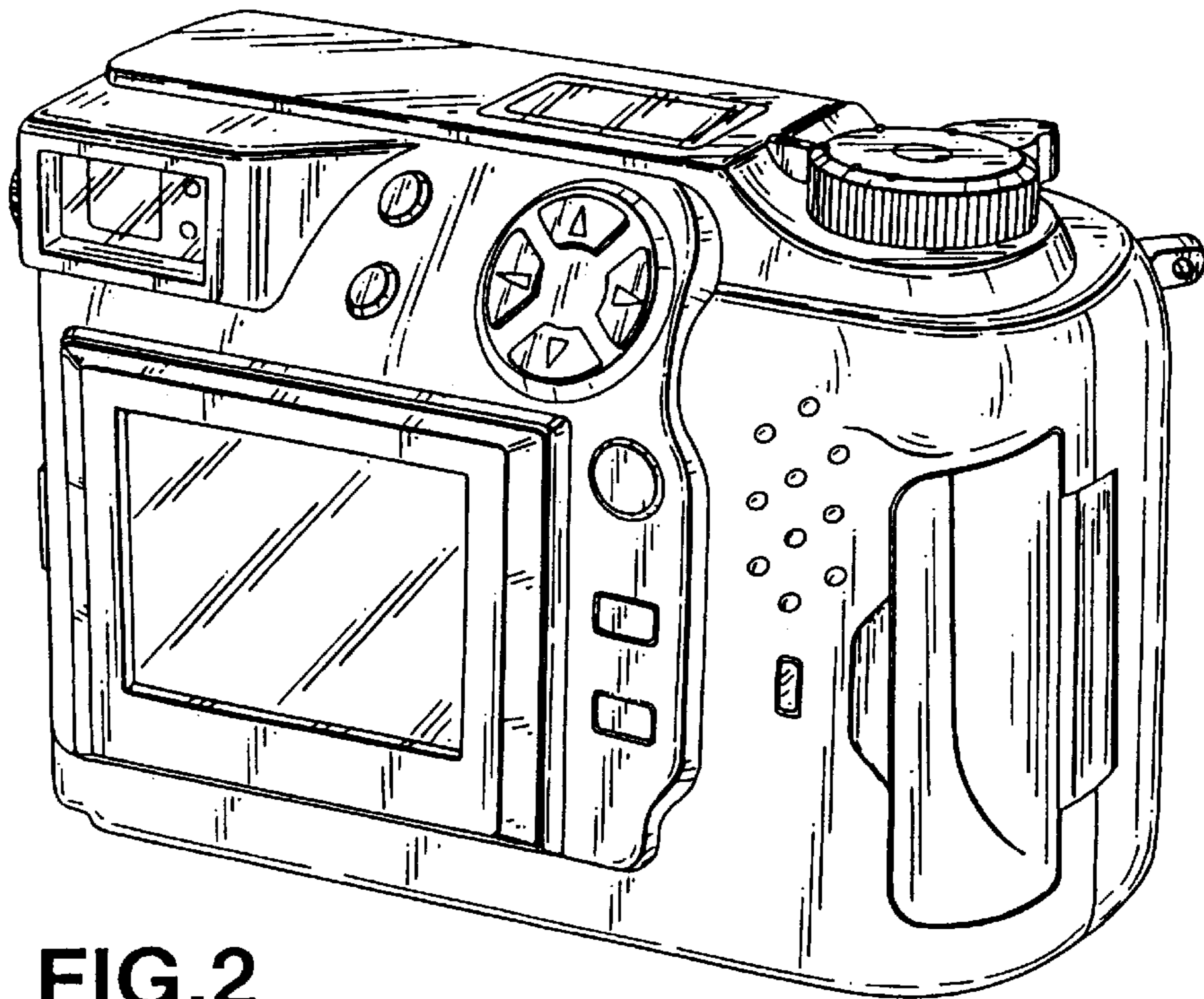


FIG. 2

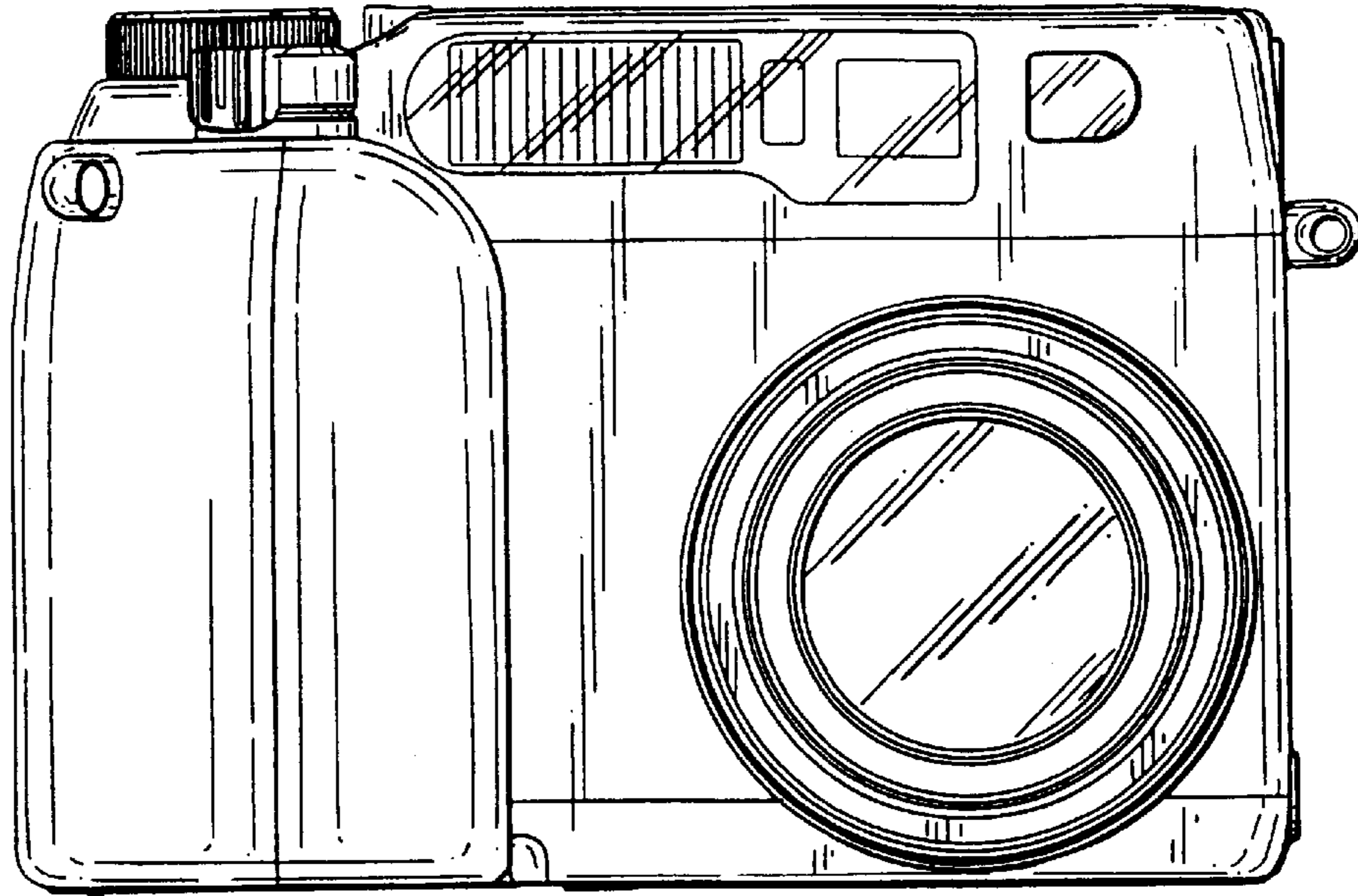


FIG.3

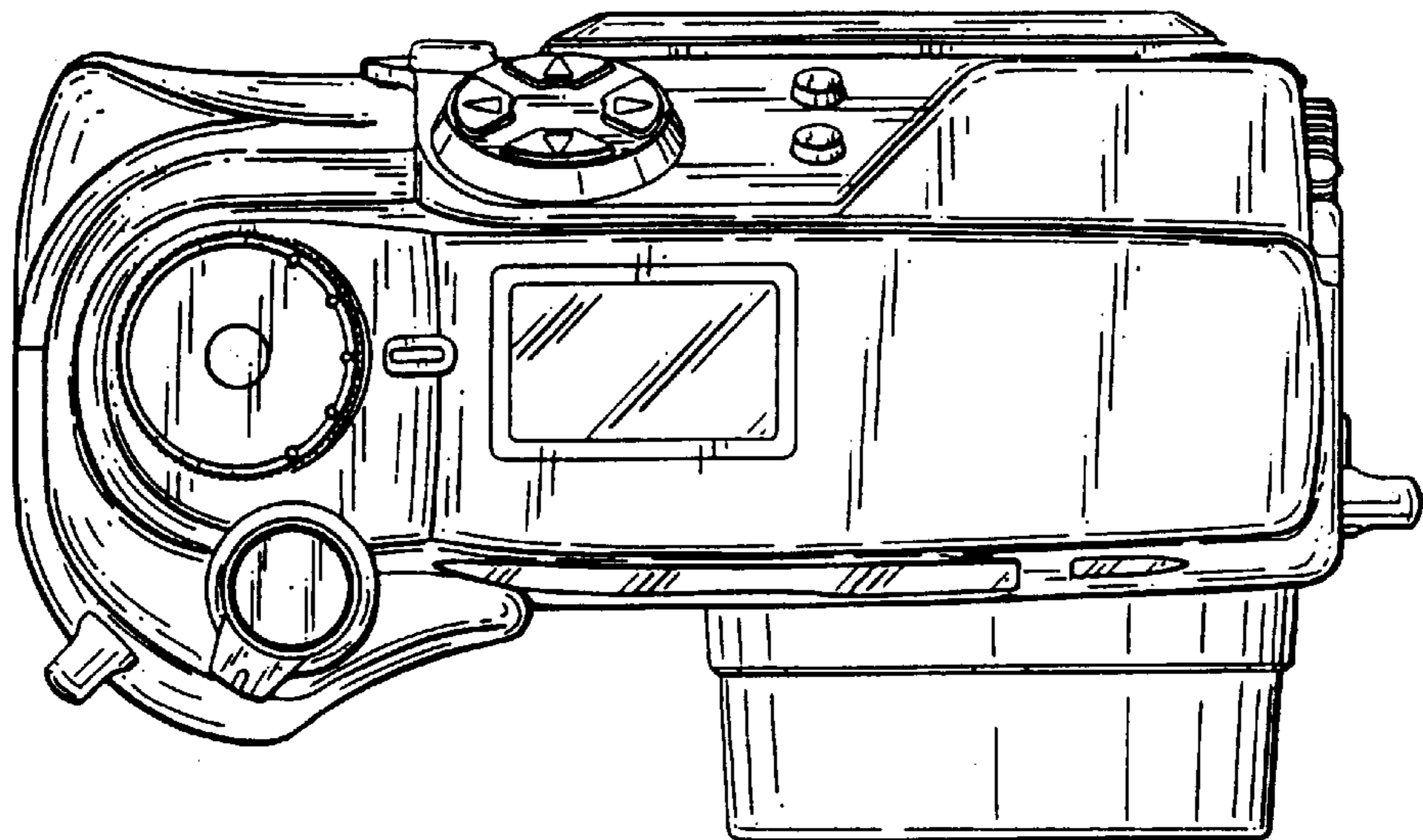


FIG.4

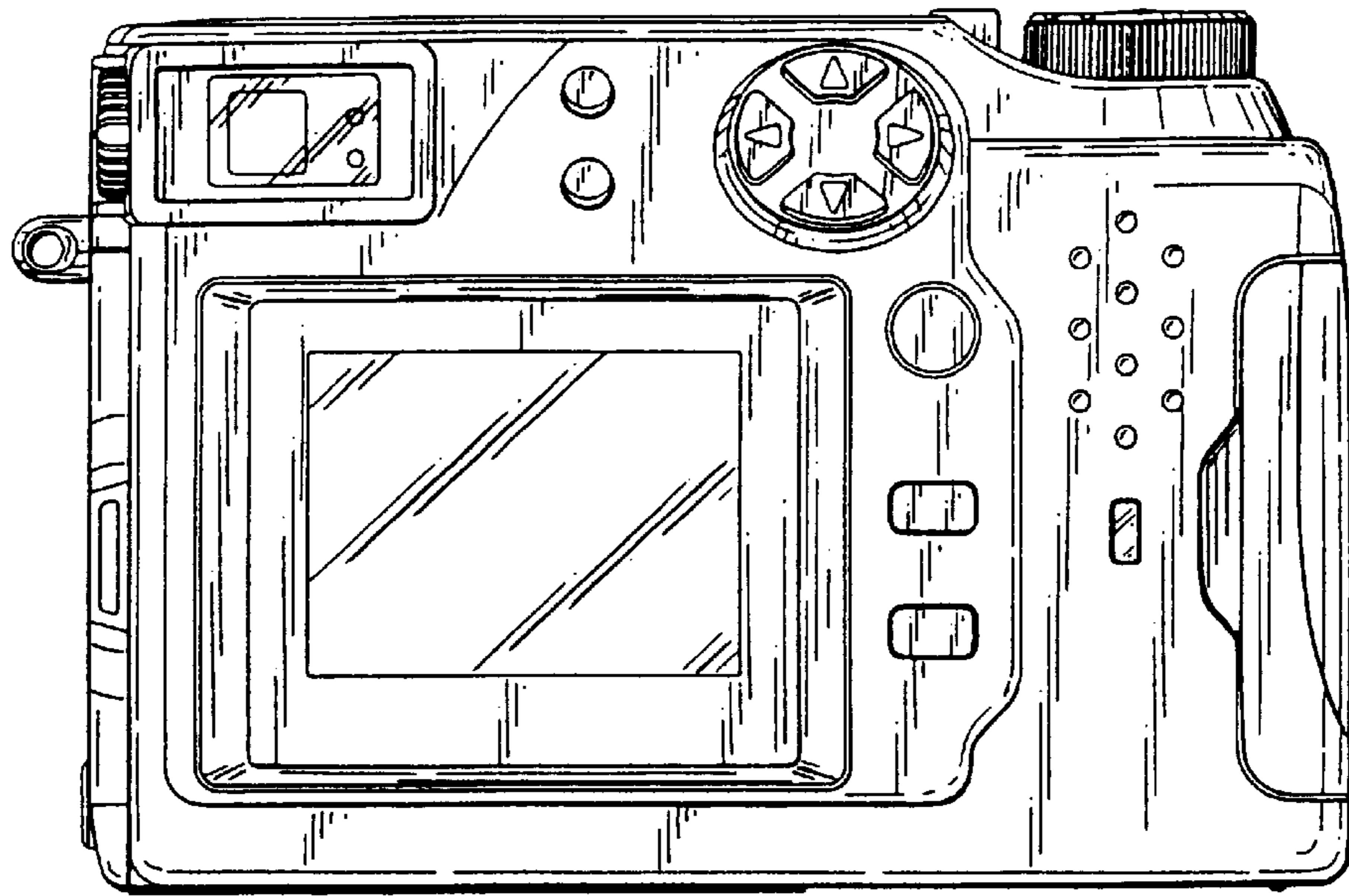


FIG. 5

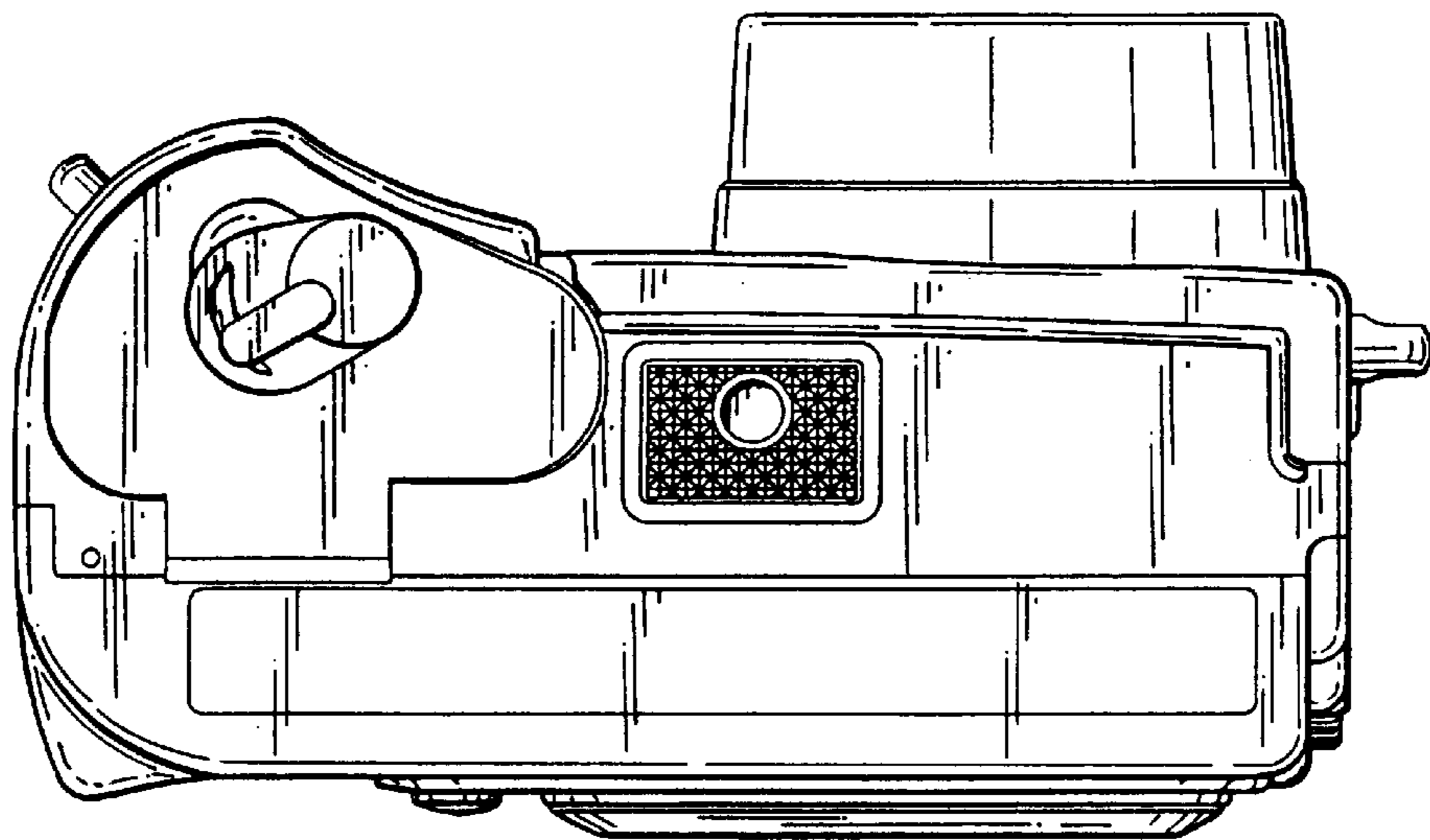


FIG. 6

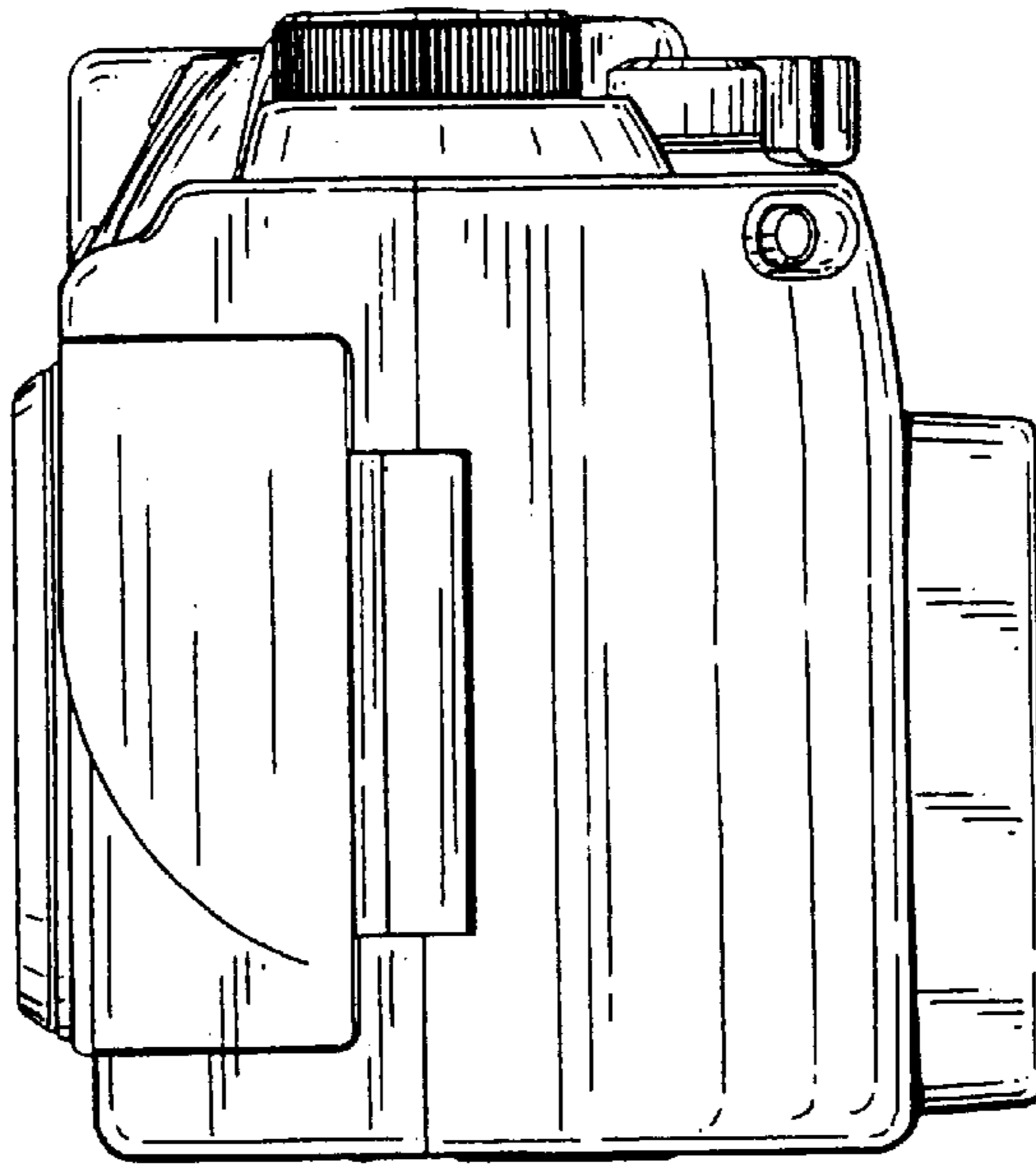


FIG. 7

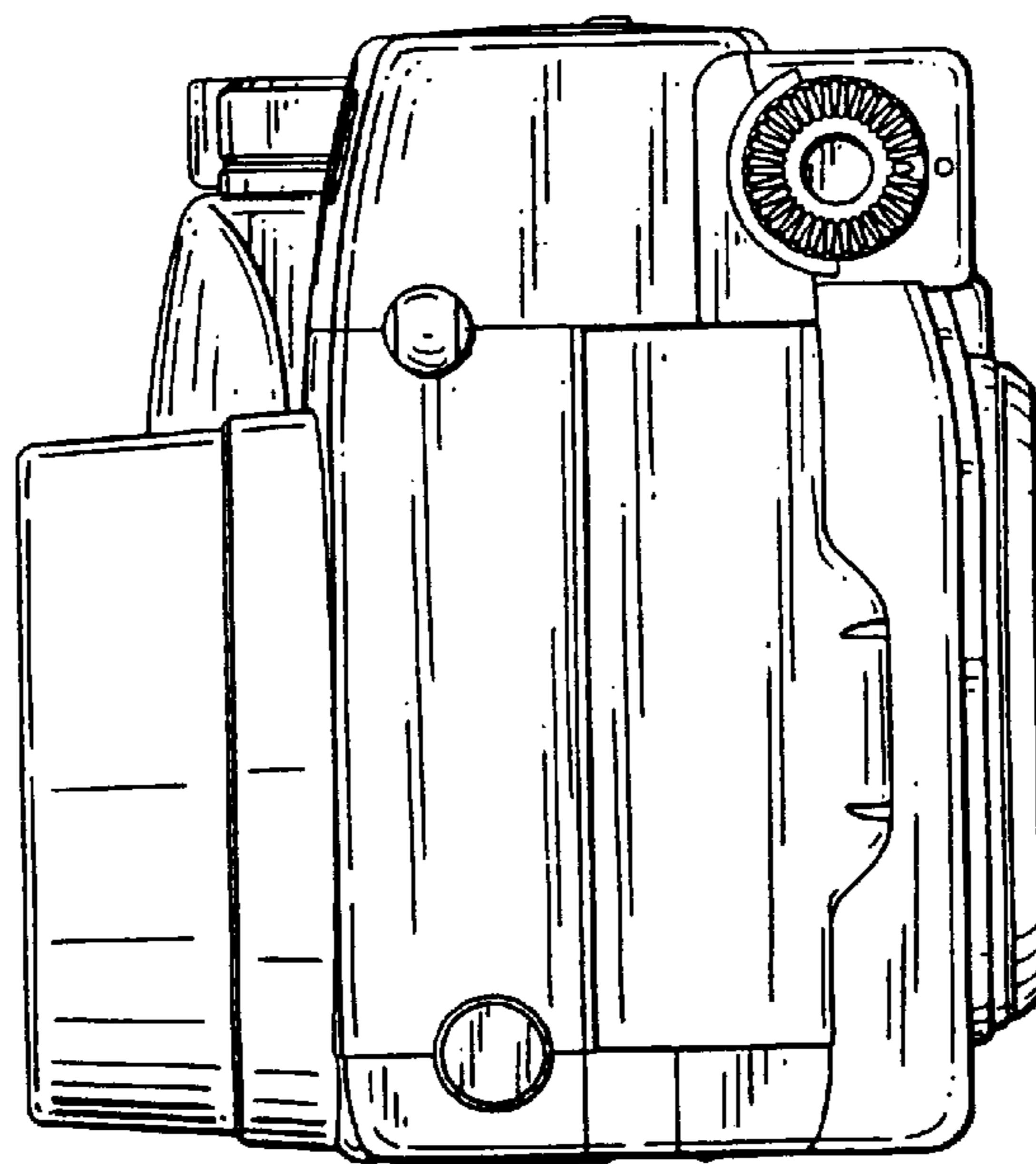


FIG. 8