



US00D430185S

United States Patent [19]

Eto et al.

[11] Patent Number: Des. 430,185

[45] Date of Patent: ** Aug. 29, 2000

[54] CAMERA

[75] Inventors: Taro Eto, Nagoya; Masatoki Suto, Hannan, both of Japan

[73] Assignee: Minolta Co., Ltd., Osaka, Japan

[**] Term: 14 Years

[21] Appl. No.: 29/075,531

[22] Filed: Sep. 2, 1997

[51] LOC (7) Cl. 16-01

[52] U.S. Cl. D16/218; D16/202

[58] Field of Search D16/200-205, D16/208, 209, 216-218; 348/373-376; 358/906, 909.1; 396/535-543

[56] References Cited

U.S. PATENT DOCUMENTS

D. 352,728	11/1994	Kurokawa et al.	D16/202
D. 361,079	8/1995	Ono	D16/202
D. 384,088	9/1997	Isozaki et al.	D16/202
D. 387,078	12/1997	Akita	D16/218
D. 396,482	7/1998	Yamanouchi	D16/218
4,456,931	6/1984	Toyda et al.	358/906

OTHER PUBLICATIONS

Pp. 2, 3, and 4 from 1997 Japan Camera Show, showing Sharp's LCD Digital ViewCam VL-DX1, VL-DXC2, and VL-DH4000; and Panasonic's Elegance DigiCam.

Complete Guide to Digital Camera, Feb. 1, 1997, pp. 042, 056, 057, 068.

Casio's Catalog, Apr. 1997.

Primary Examiner—Adir Aronovich

Attorney, Agent, or Firm—McDermott, Will & Emery

[57] CLAIM

The ornamental design for a camera, shown and described.

DESCRIPTION

FIG. 1 is a front and right side perspective view of a first embodiment of camera showing our new design;

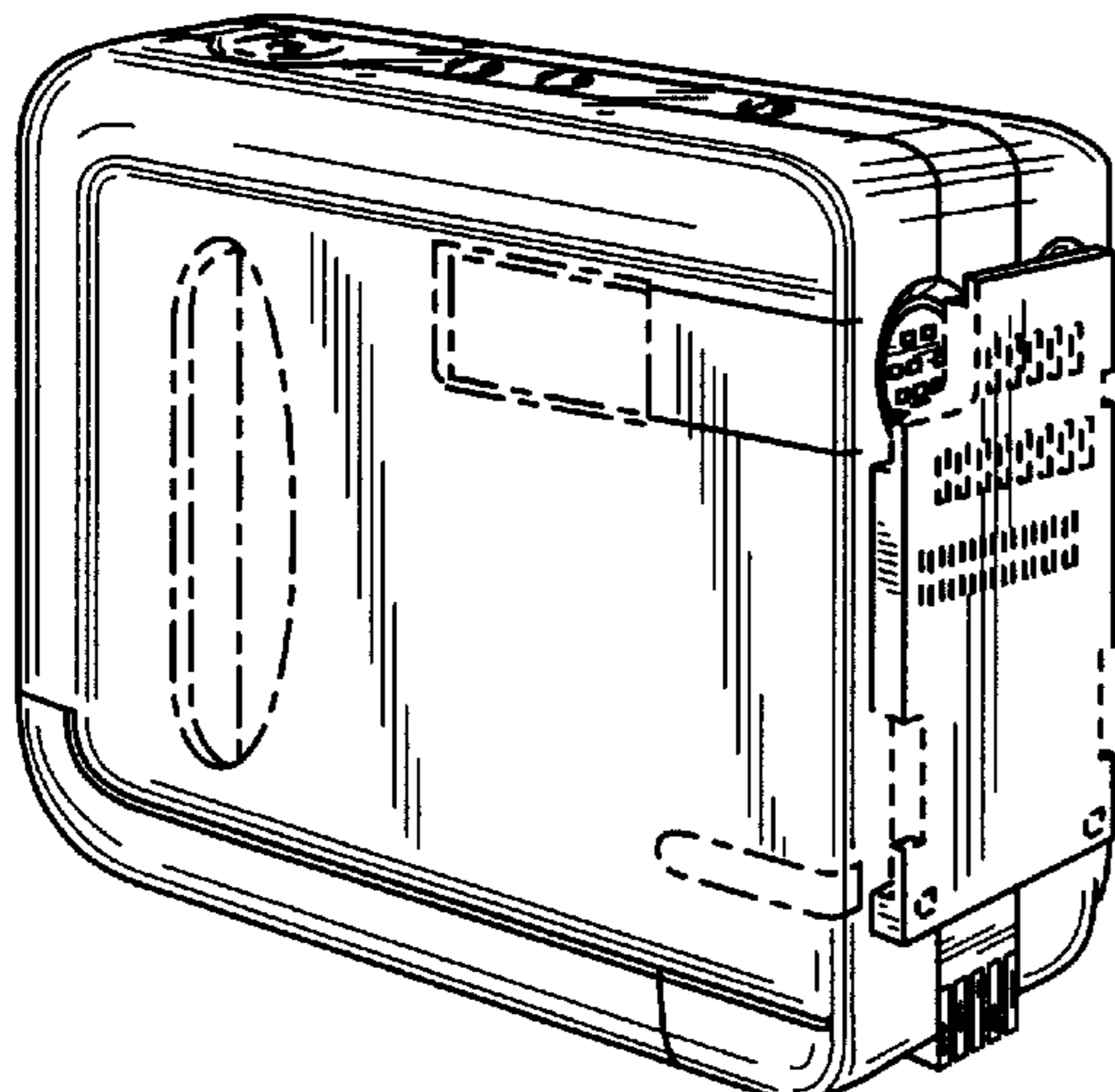


FIG. 2 is a front elevational view thereof;

FIG. 3 is a rear elevational view thereof;

FIG. 4 is a top plan view thereof;

FIG. 5 is a bottom plan view thereof;

FIG. 6 is a left side elevational view thereof;

FIG. 7 is a right side elevational view thereof;

FIG. 8 is a front and right side perspective view of a second embodiment of our new design;

FIG. 9 is a front elevational view of the embodiment of FIG. 8;

FIG. 10 is a rear elevational view of the embodiment of FIG. 8;

FIG. 11 is a top plan view of the embodiment of FIG. 8;

FIG. 12 is a bottom plan view of the embodiment of FIG. 8;

FIG. 13 is a left side elevational view of the embodiment shown in FIG. 8;

FIG. 14 is a right side elevational view of the embodiment shown in FIG. 8.

FIG. 15 is a front and right side perspective view of the first embodiment of a camera with the broken lines removed for clarity of illustration.

FIG. 16 is a front elevational view thereof;

FIG. 17 is a rear elevational view thereof;

FIG. 18 is a top plan view thereof;

FIG. 19 is a bottom plan view thereof;

FIG. 20 is a left side elevational view thereof;

FIG. 21 is a right side elevational view thereof;

FIG. 22 is a front and right side perspective view of the second embodiment of our new design shown with the broken lines removed for clarity of illustration.

FIG. 23 is a front elevational view thereof;

FIG. 24 is a rear elevational view thereof;

FIG. 25 is a top plan view thereof;

FIG. 26 is a bottom plan view thereof;

FIG. 27 is a left side elevational view thereof; and,

FIG. 28 is a right side elevational view thereof.

The broken lines shown in FIGS. 1-14 are to illustrate the environment only and form no part of the claimed design.

1 Claim, 16 Drawing Sheets

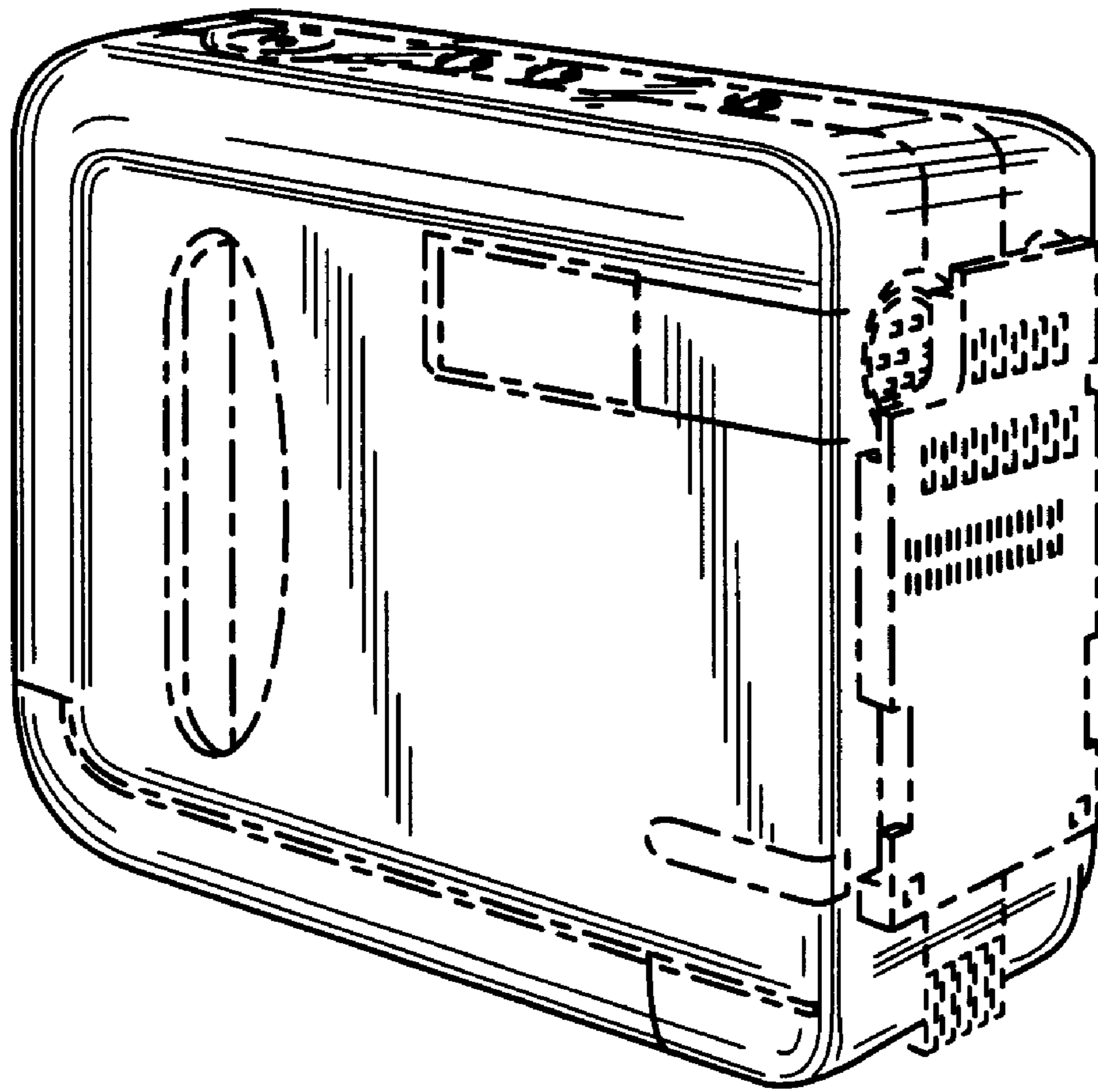


FIG. 1

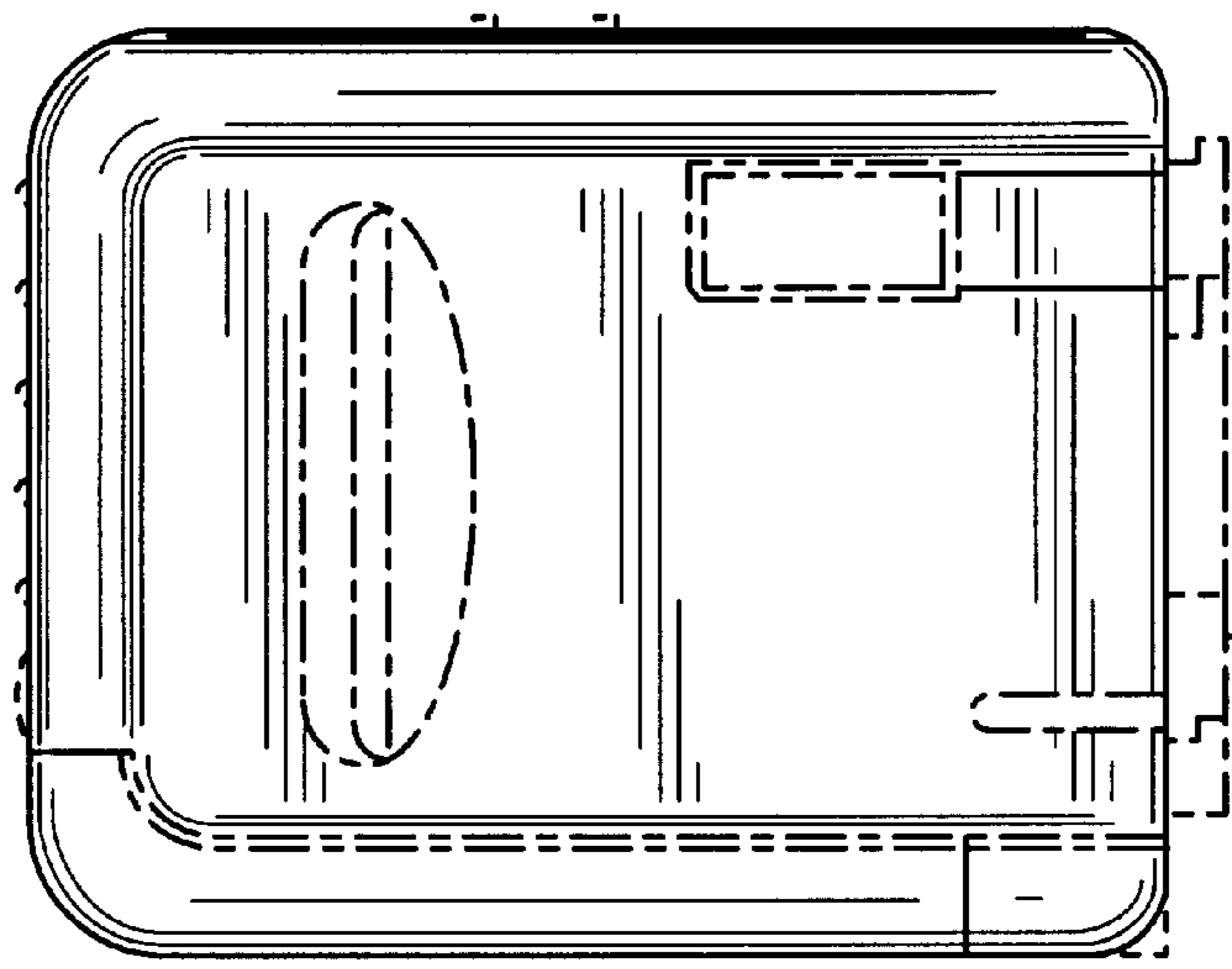


FIG. 2

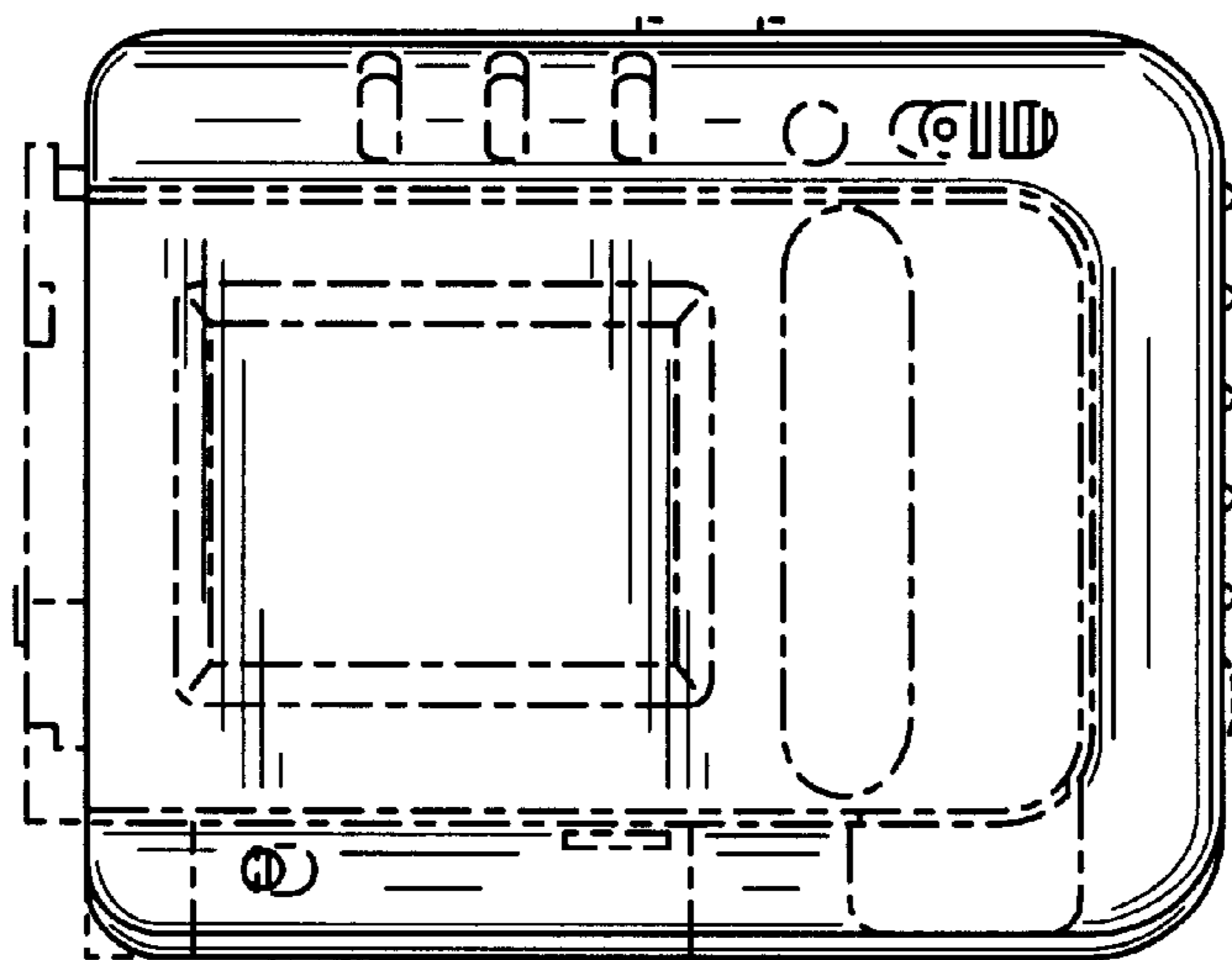


FIG. 3

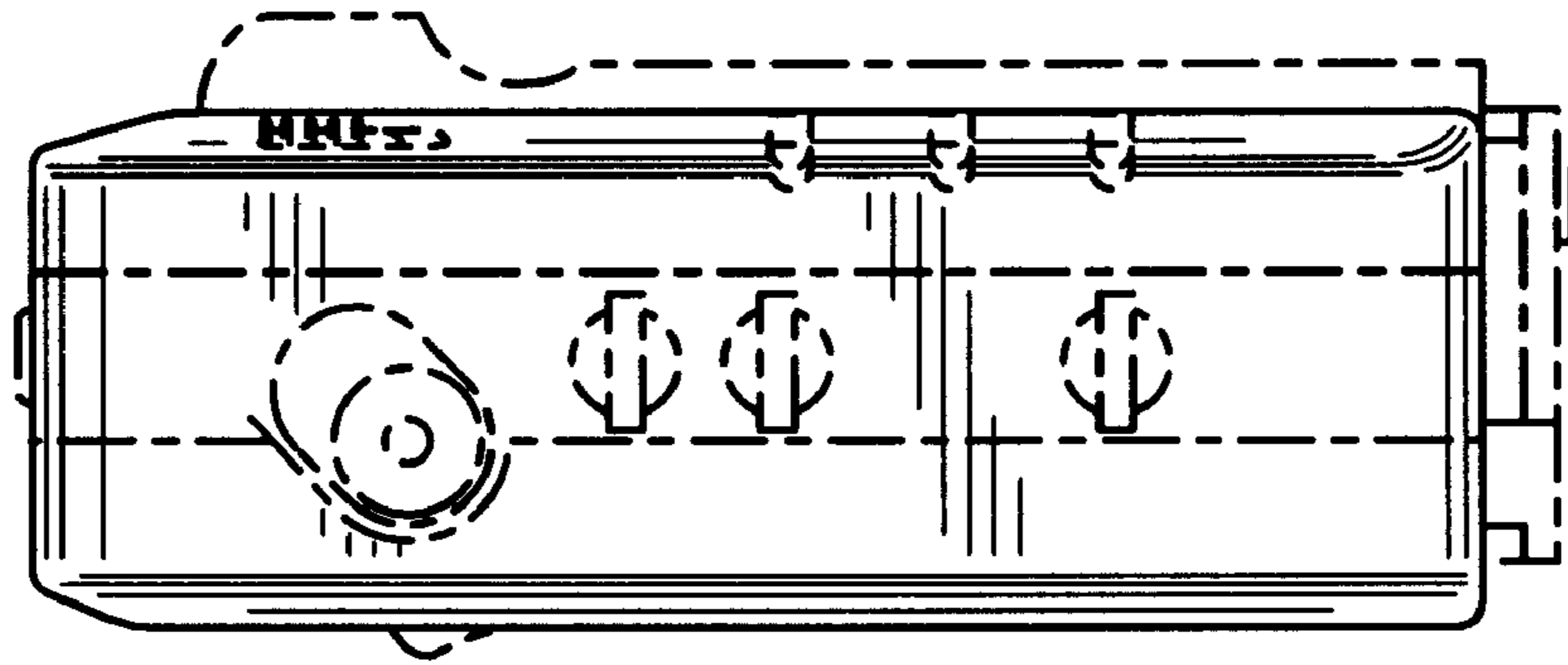


FIG. 4

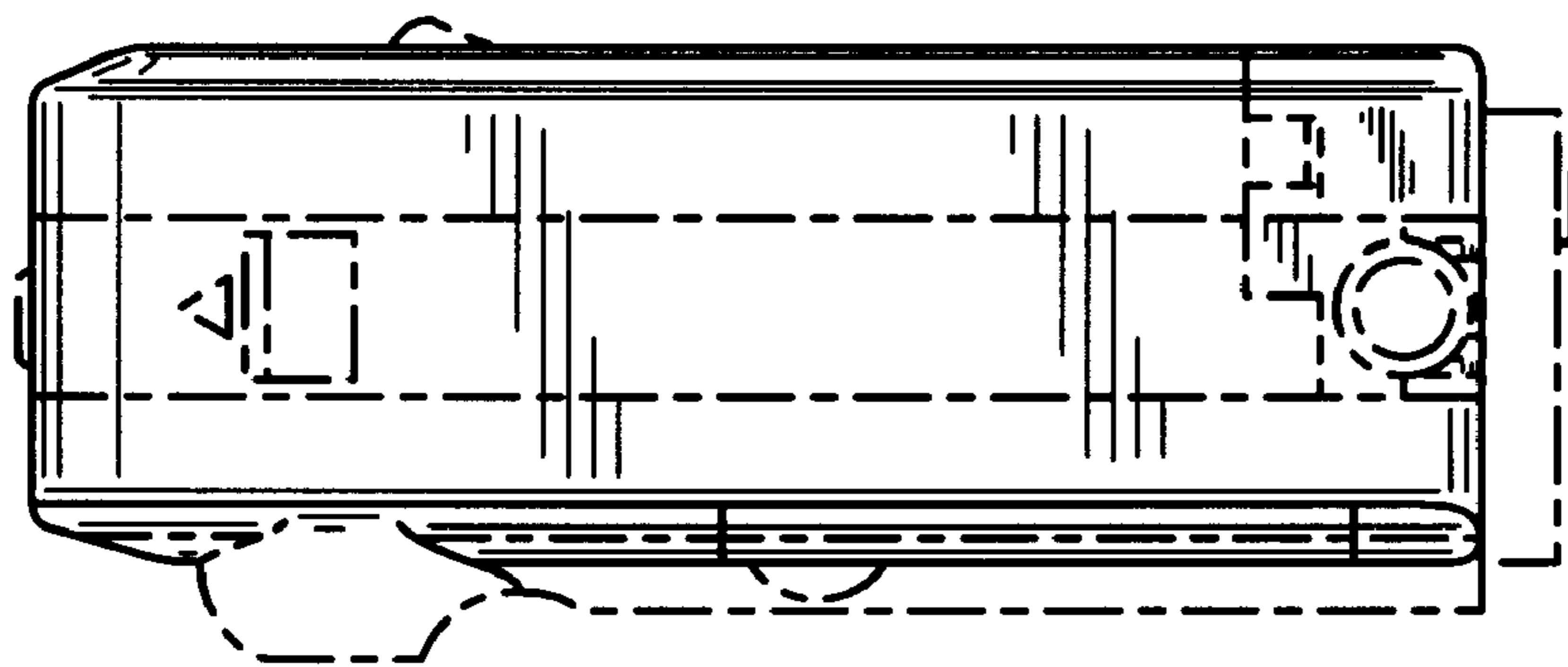


FIG. 5

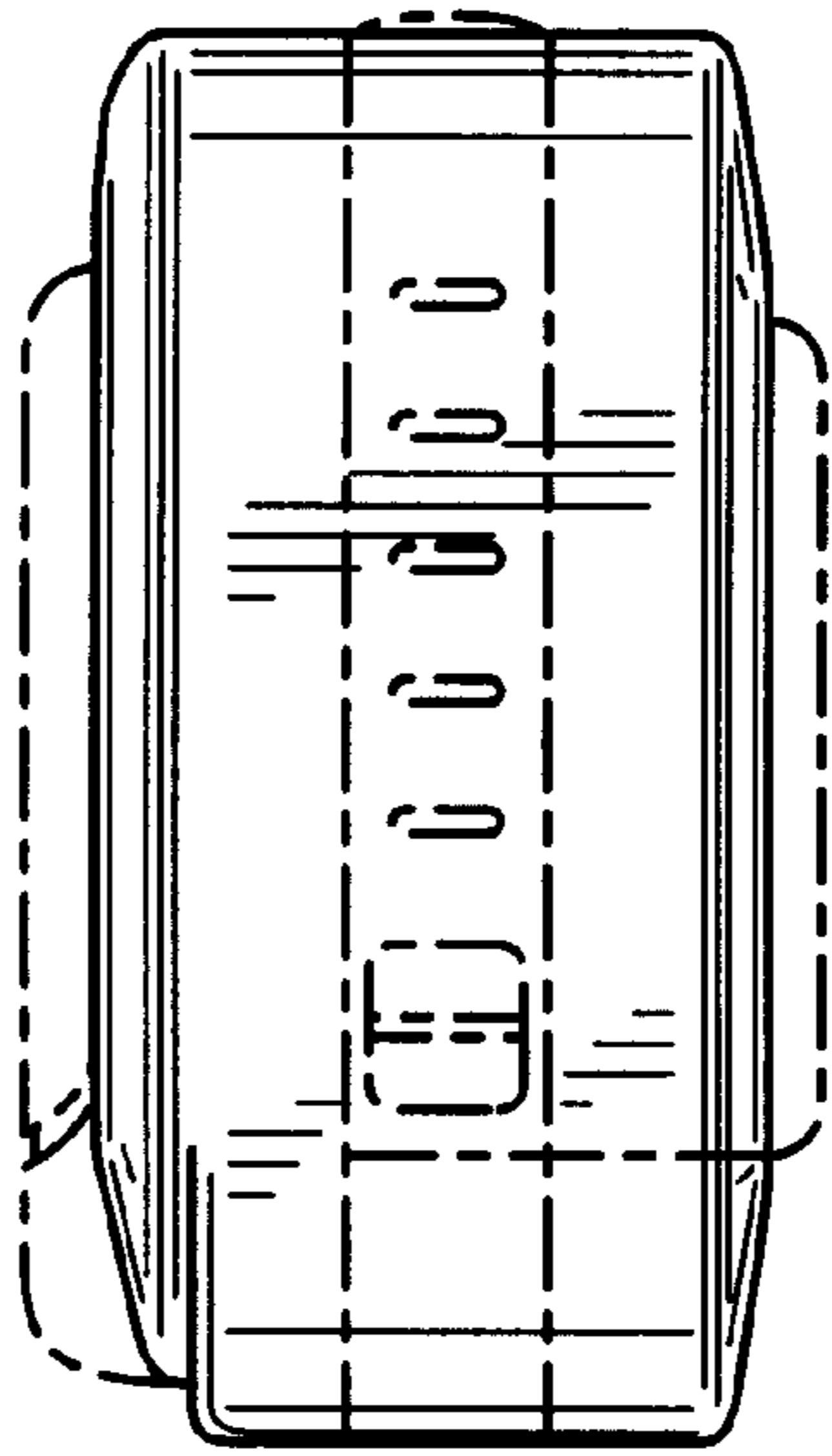


FIG. 6

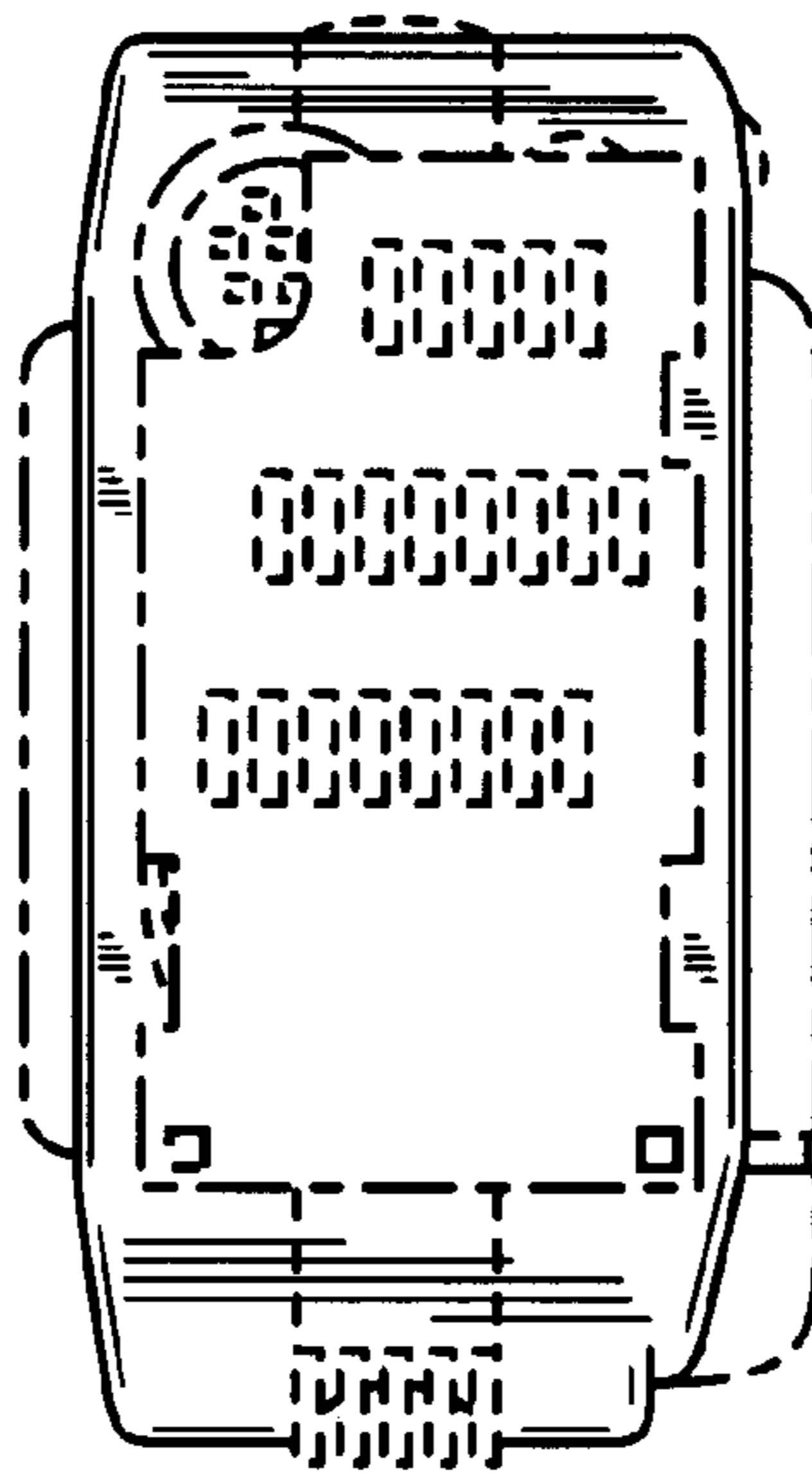


FIG. 7

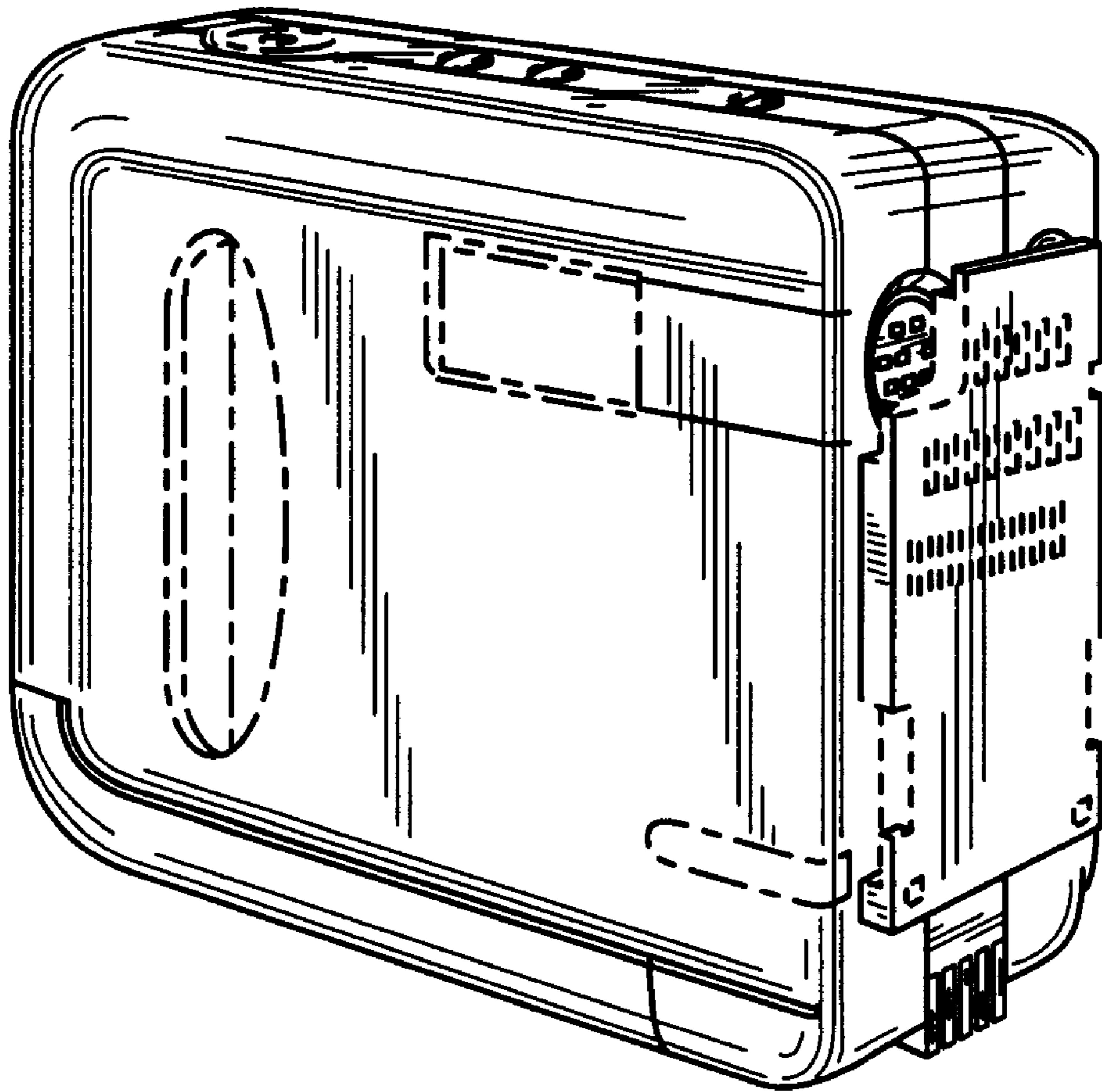


FIG. 8

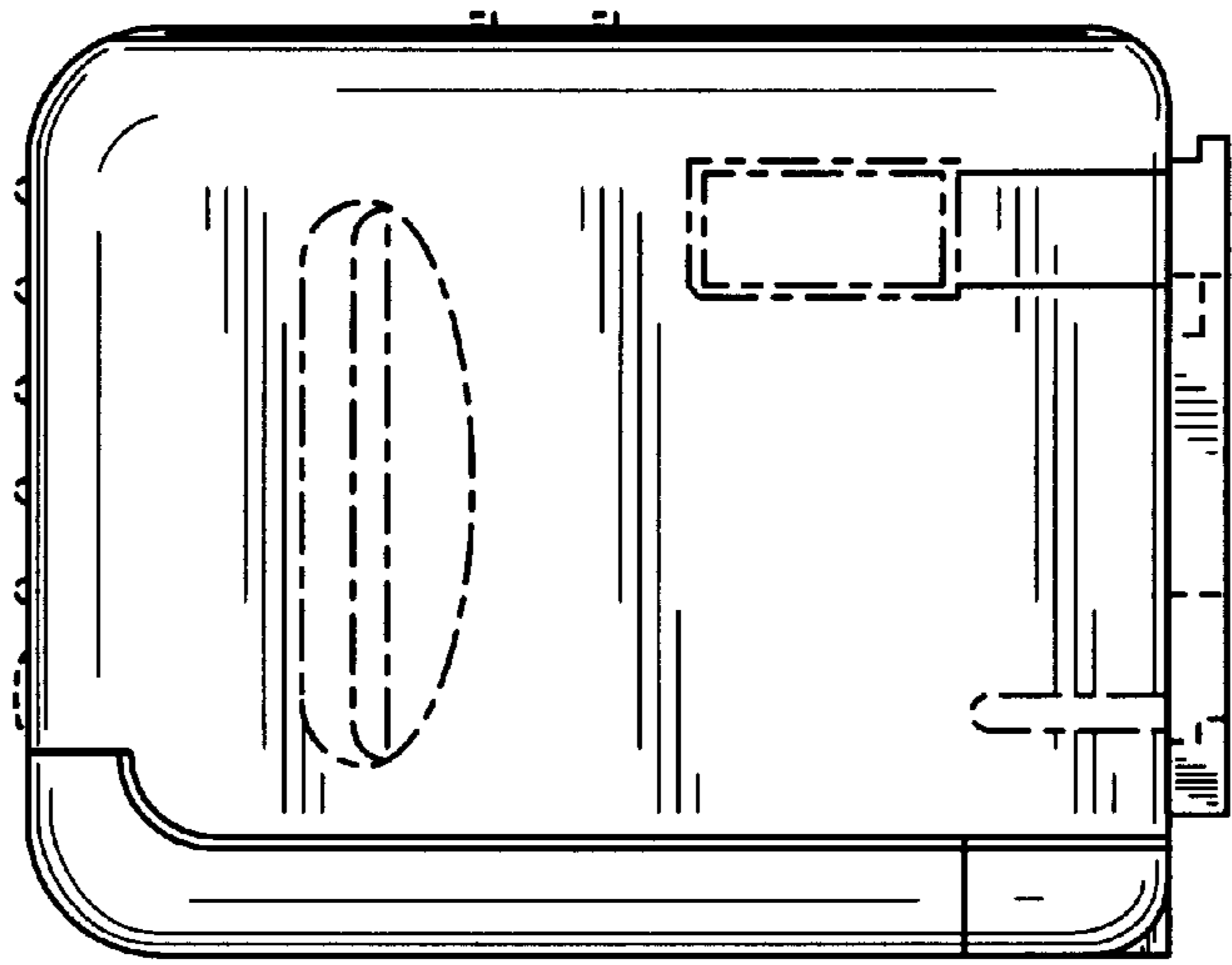


FIG. 9

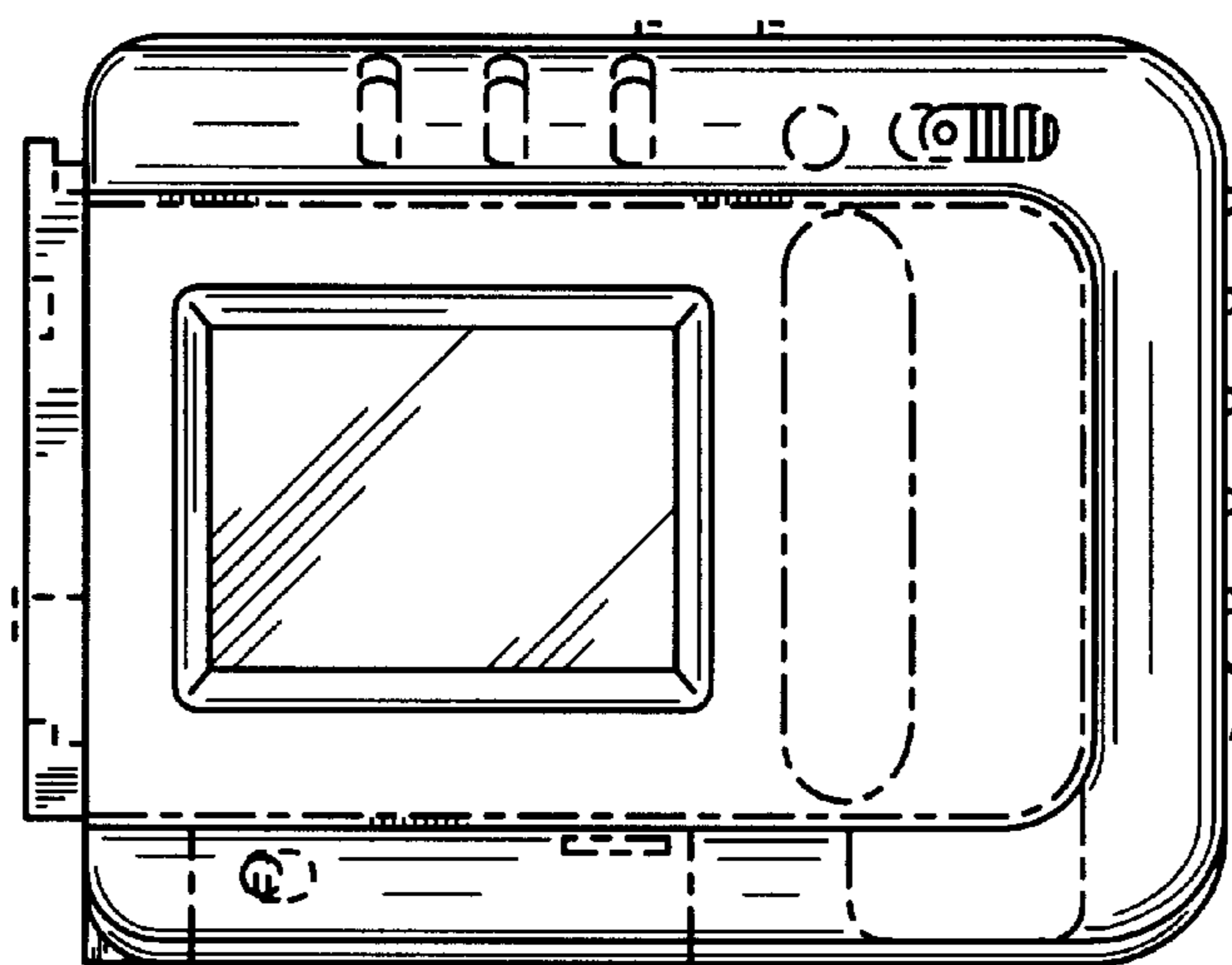


FIG. 10

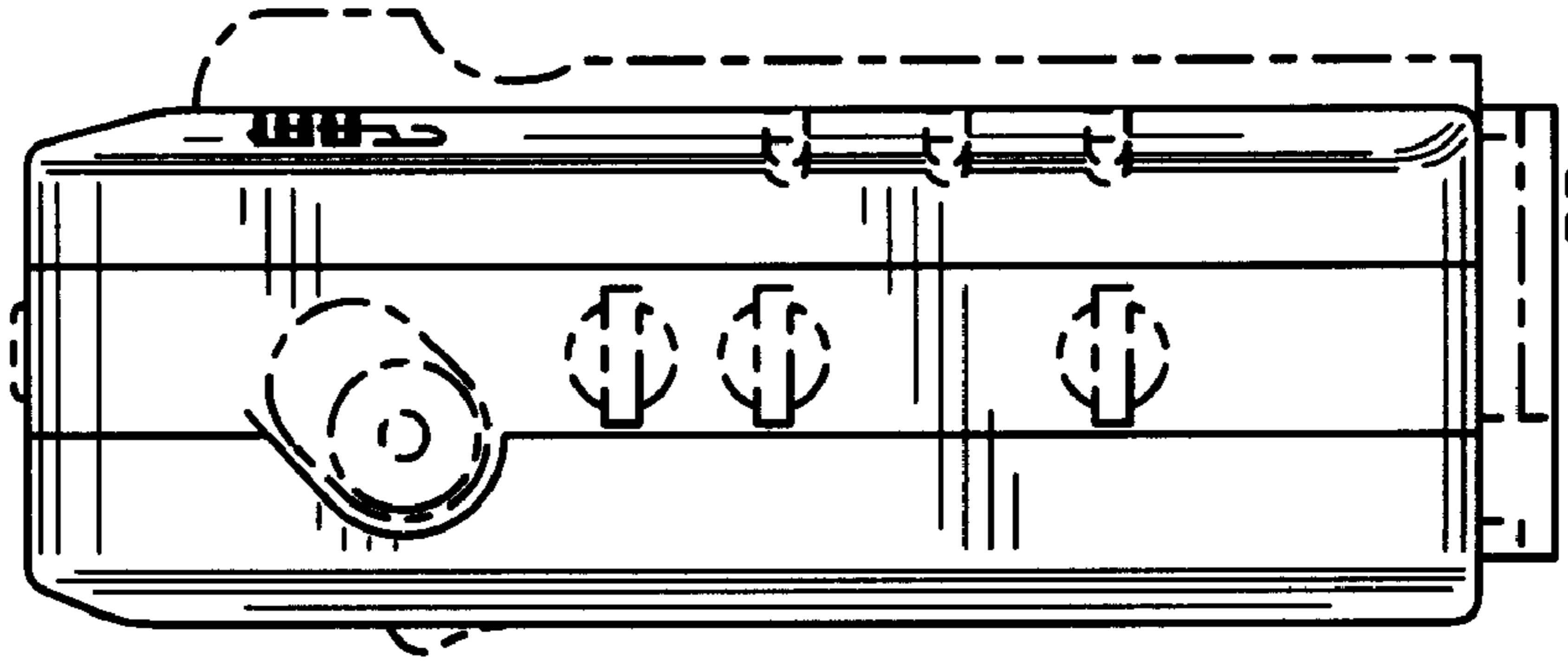


FIG. 11

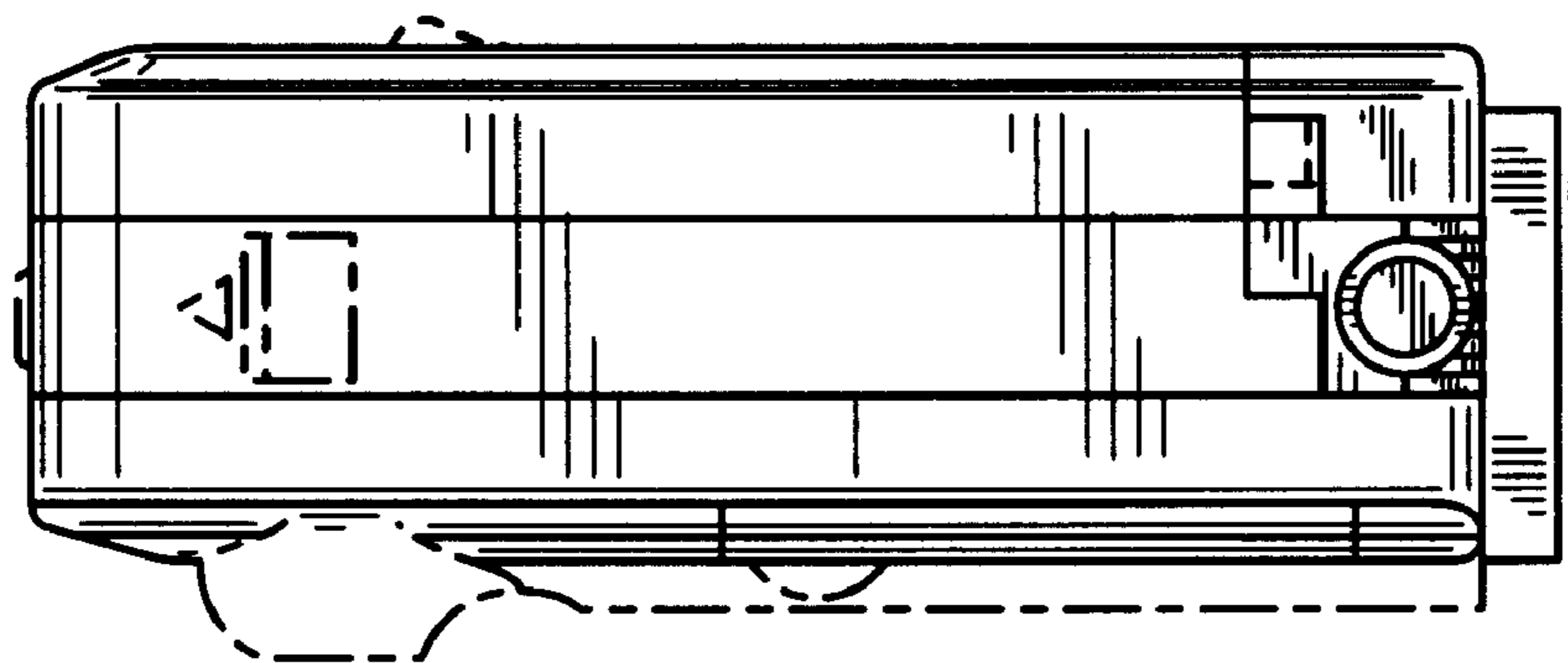


FIG. 12

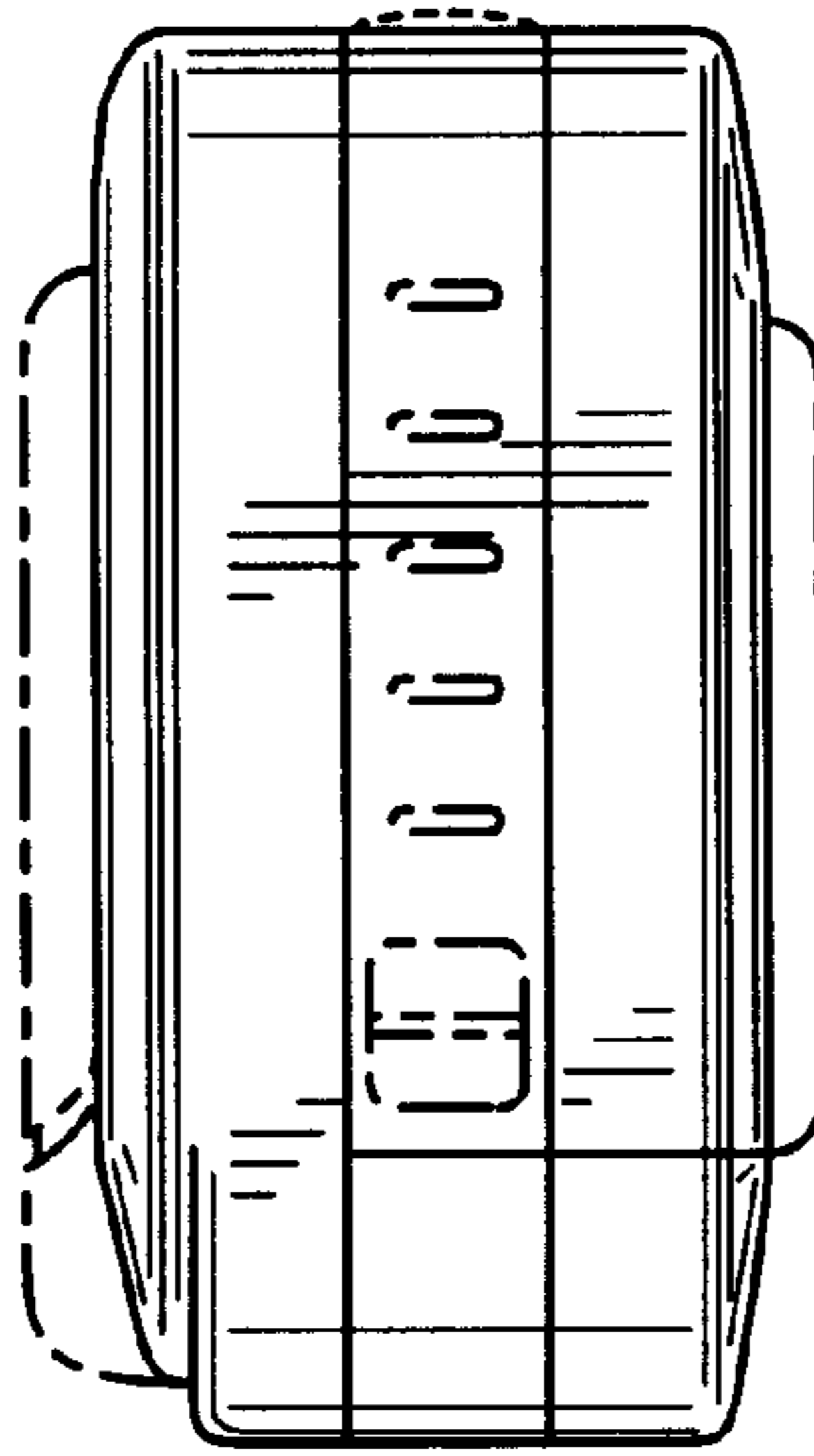


FIG. 13

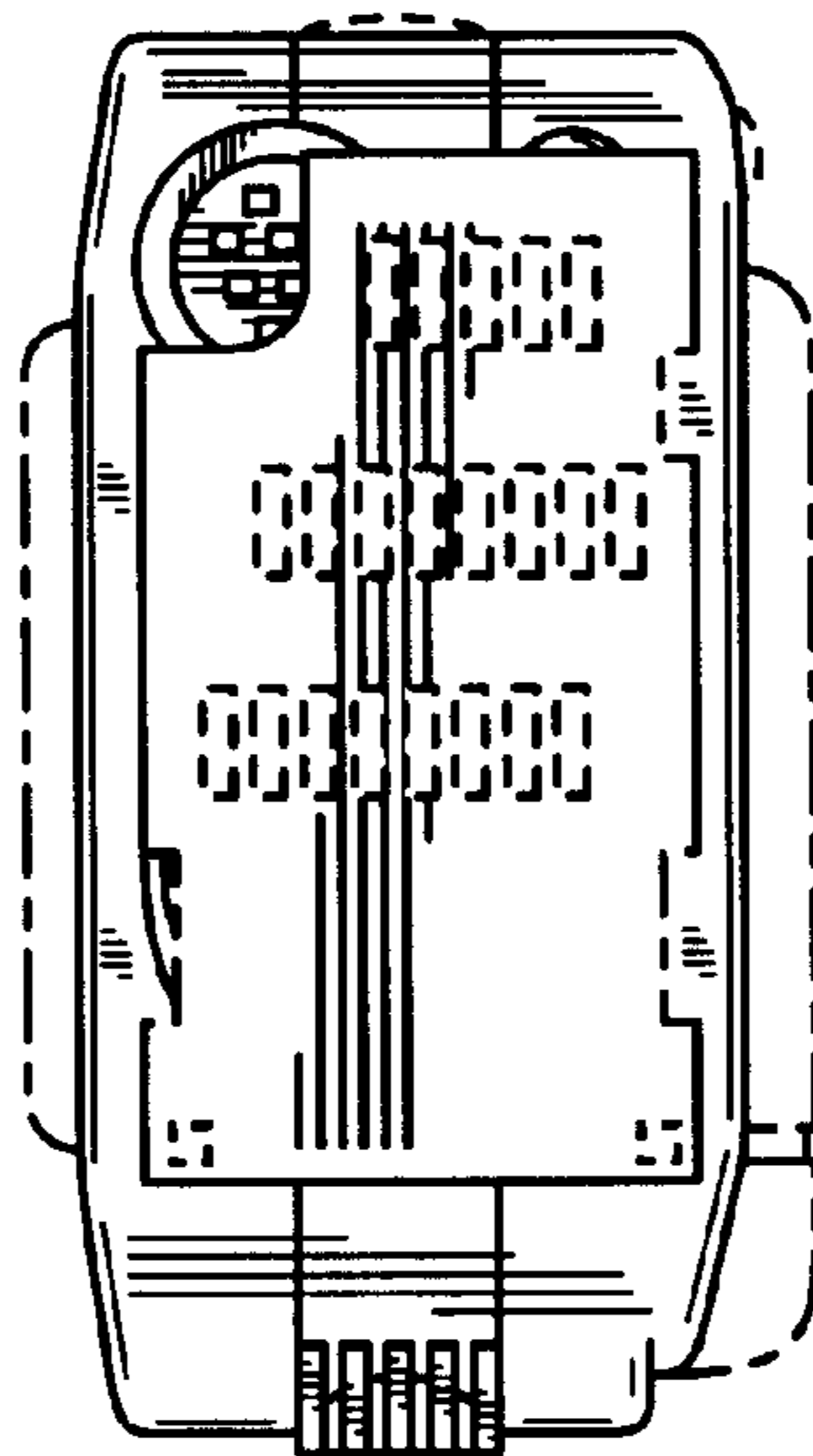


FIG. 14

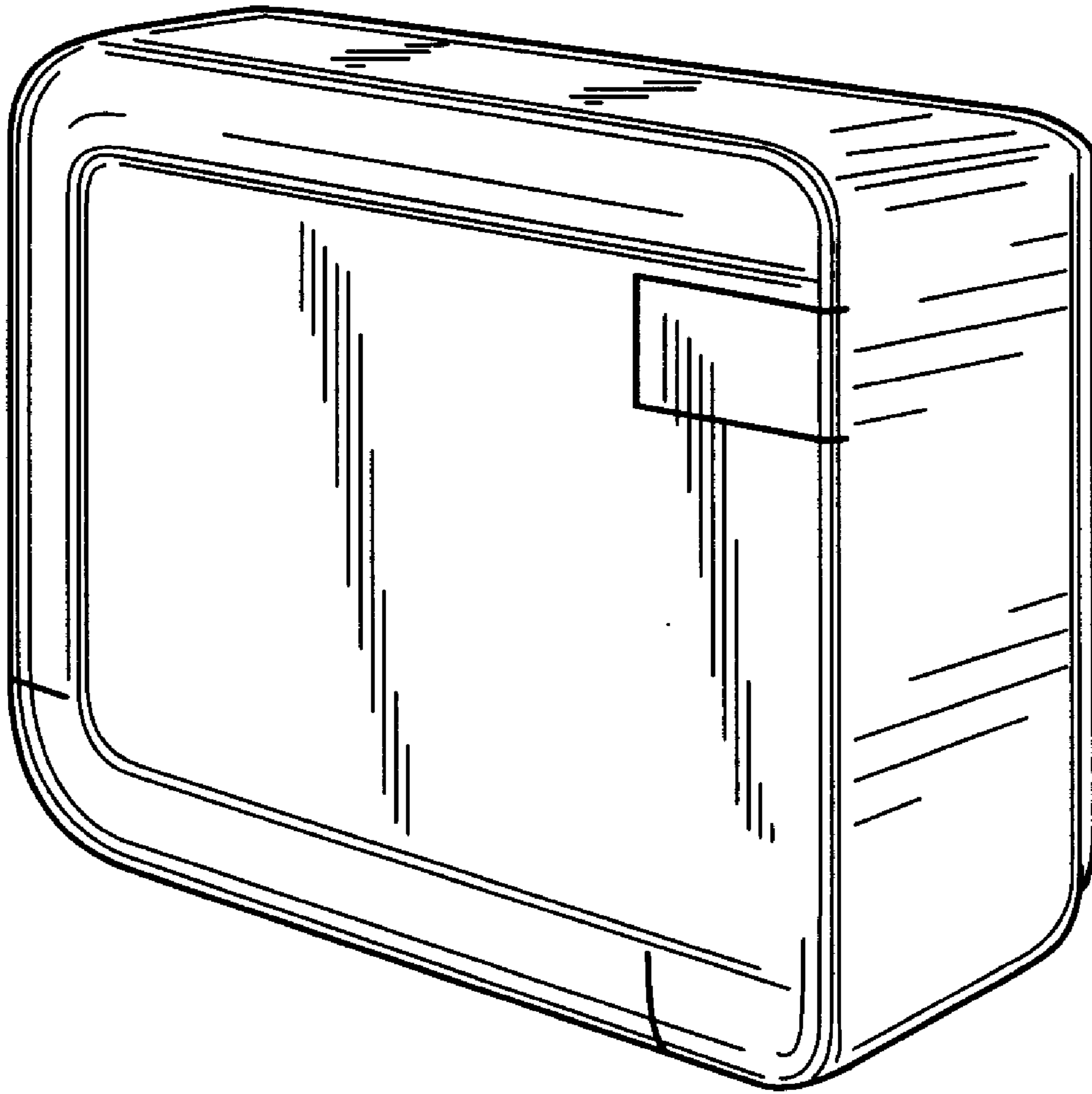


FIG. 15

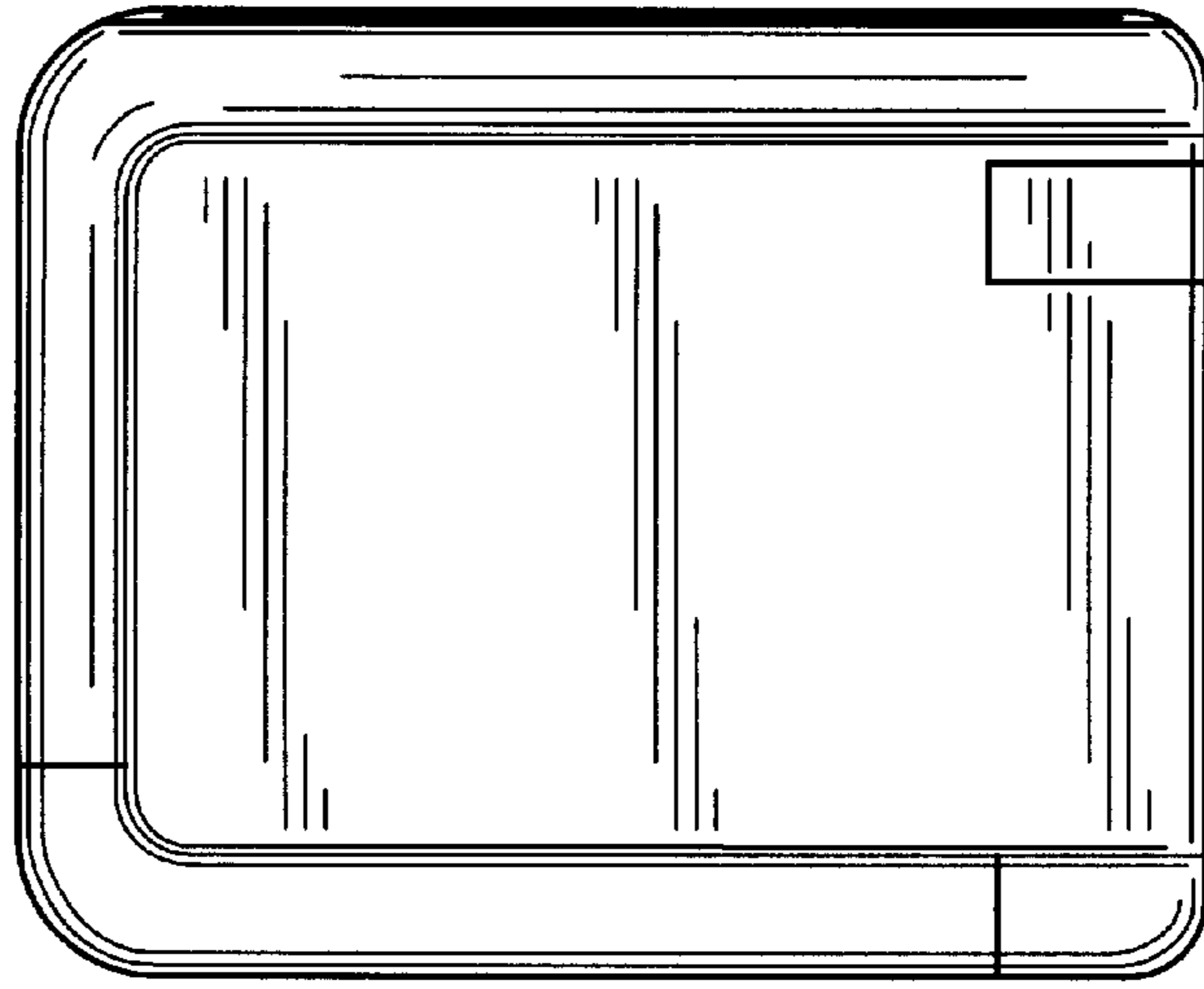


FIG. 16

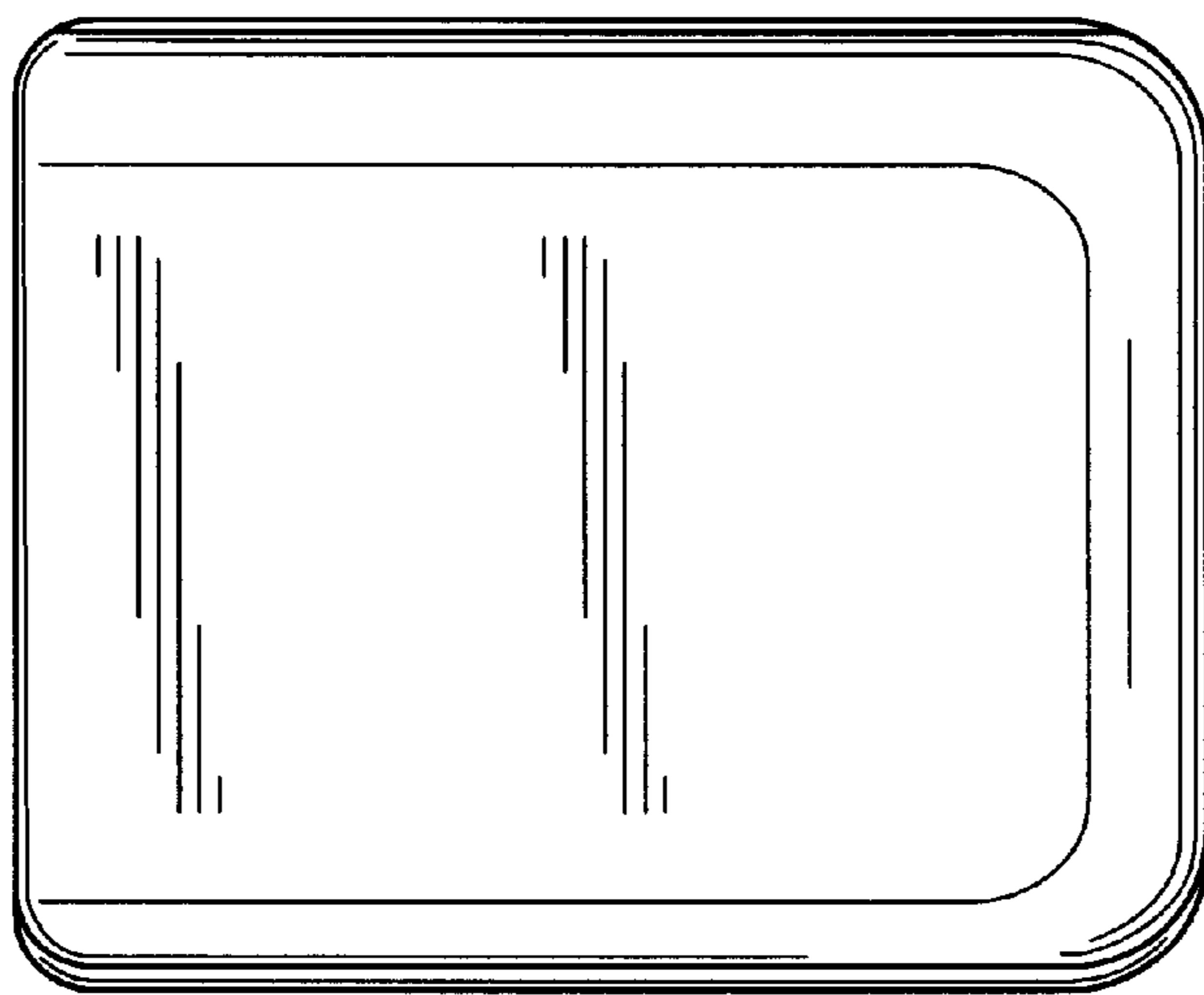


FIG. 17

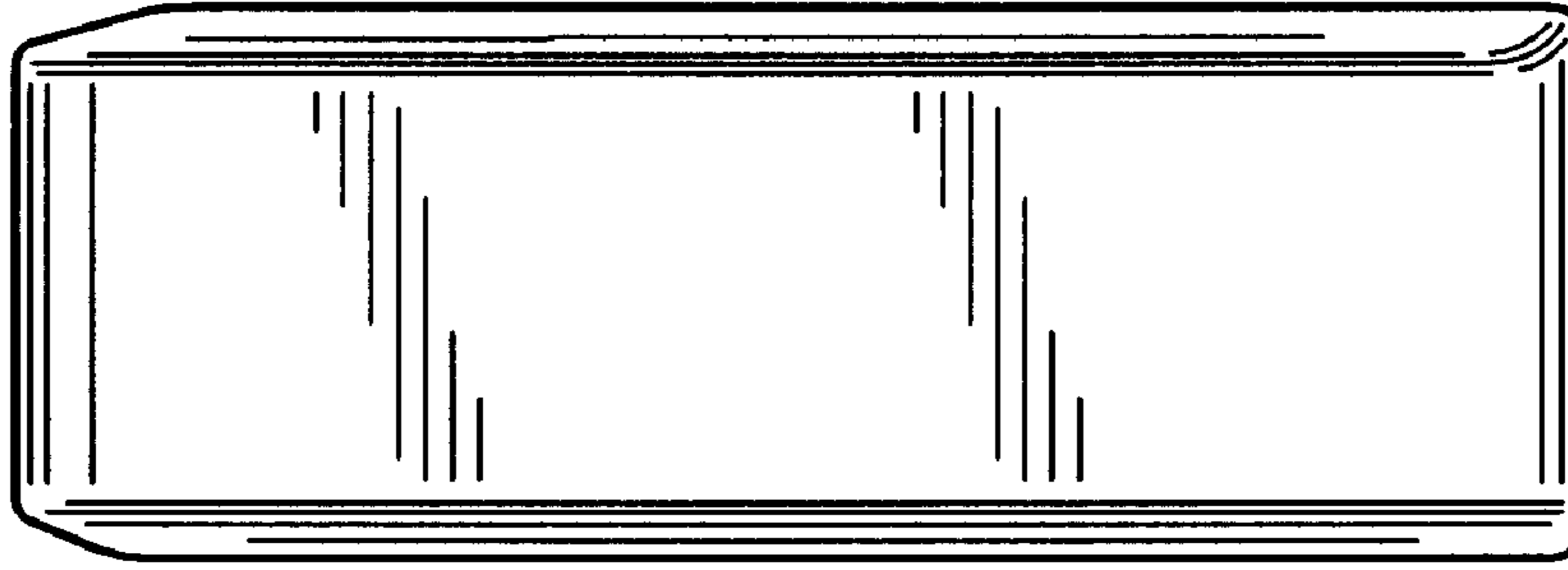


FIG. 18

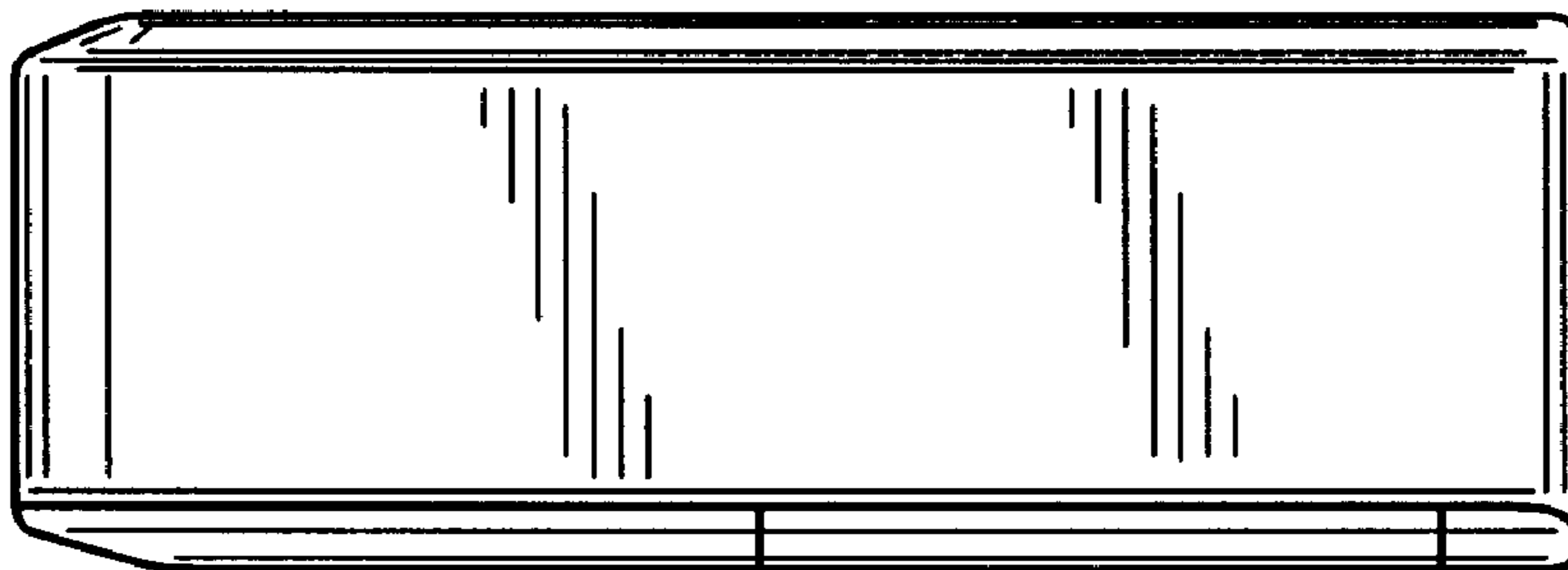


FIG. 19

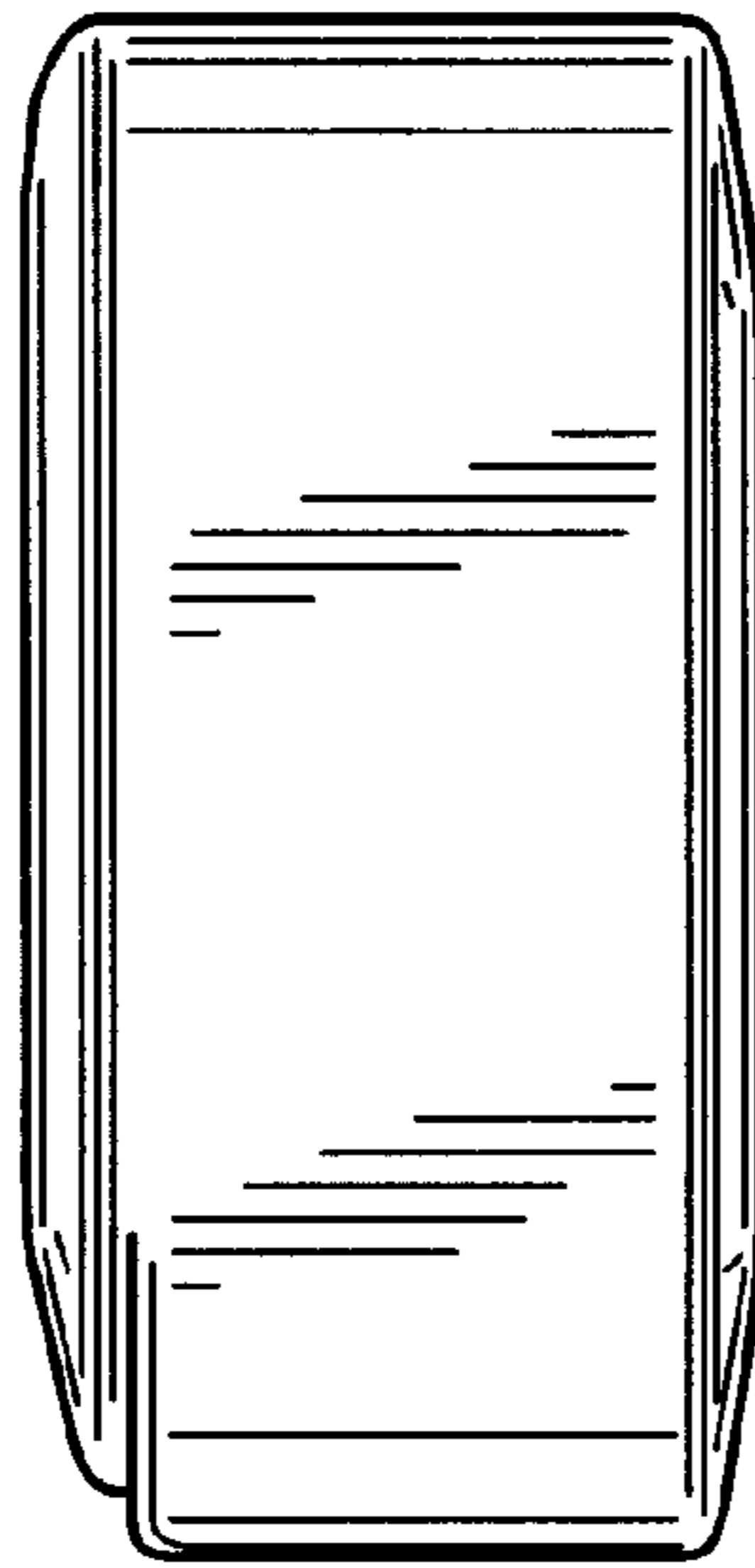


FIG. 20

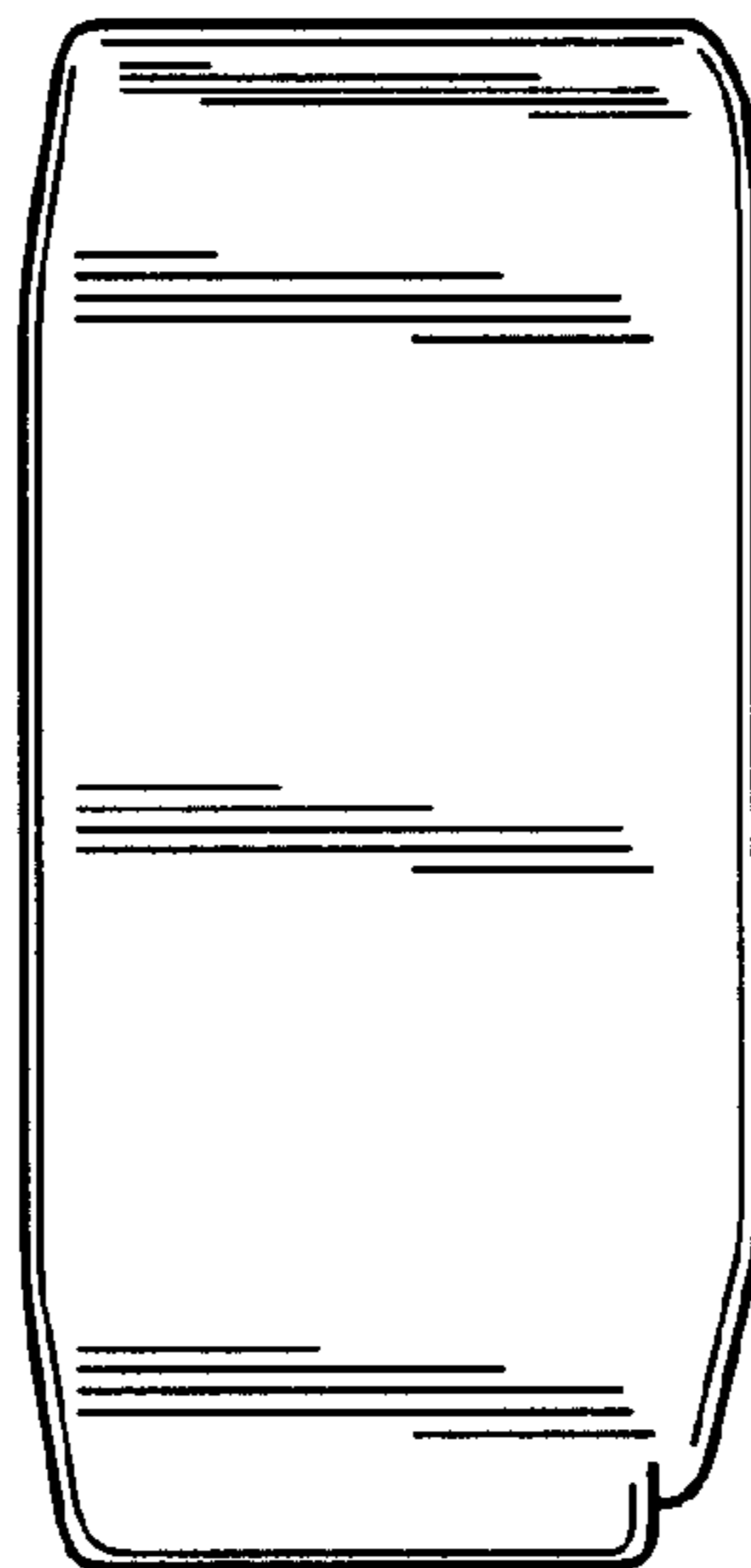


FIG. 21

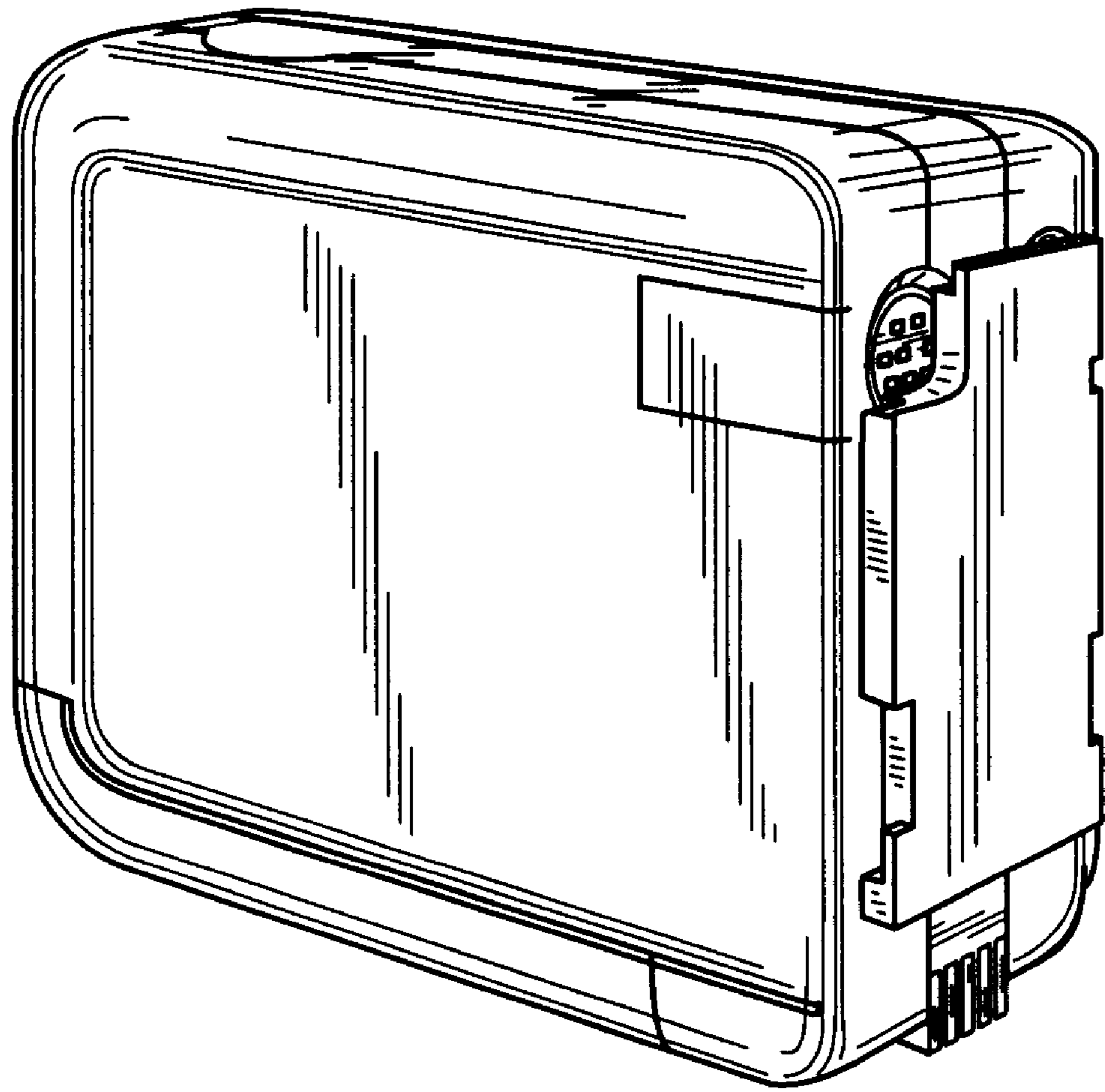


FIG. 22

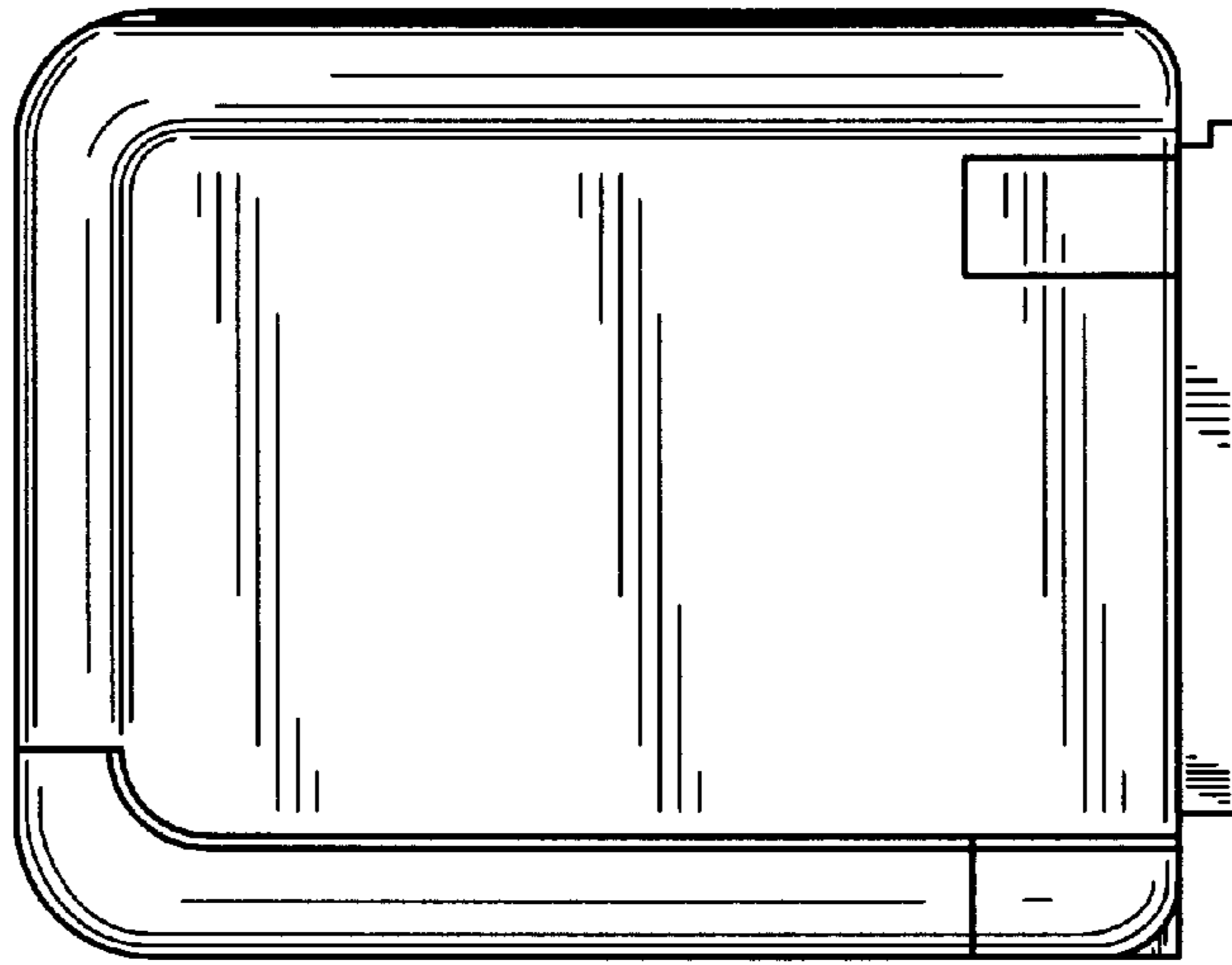


FIG. 23

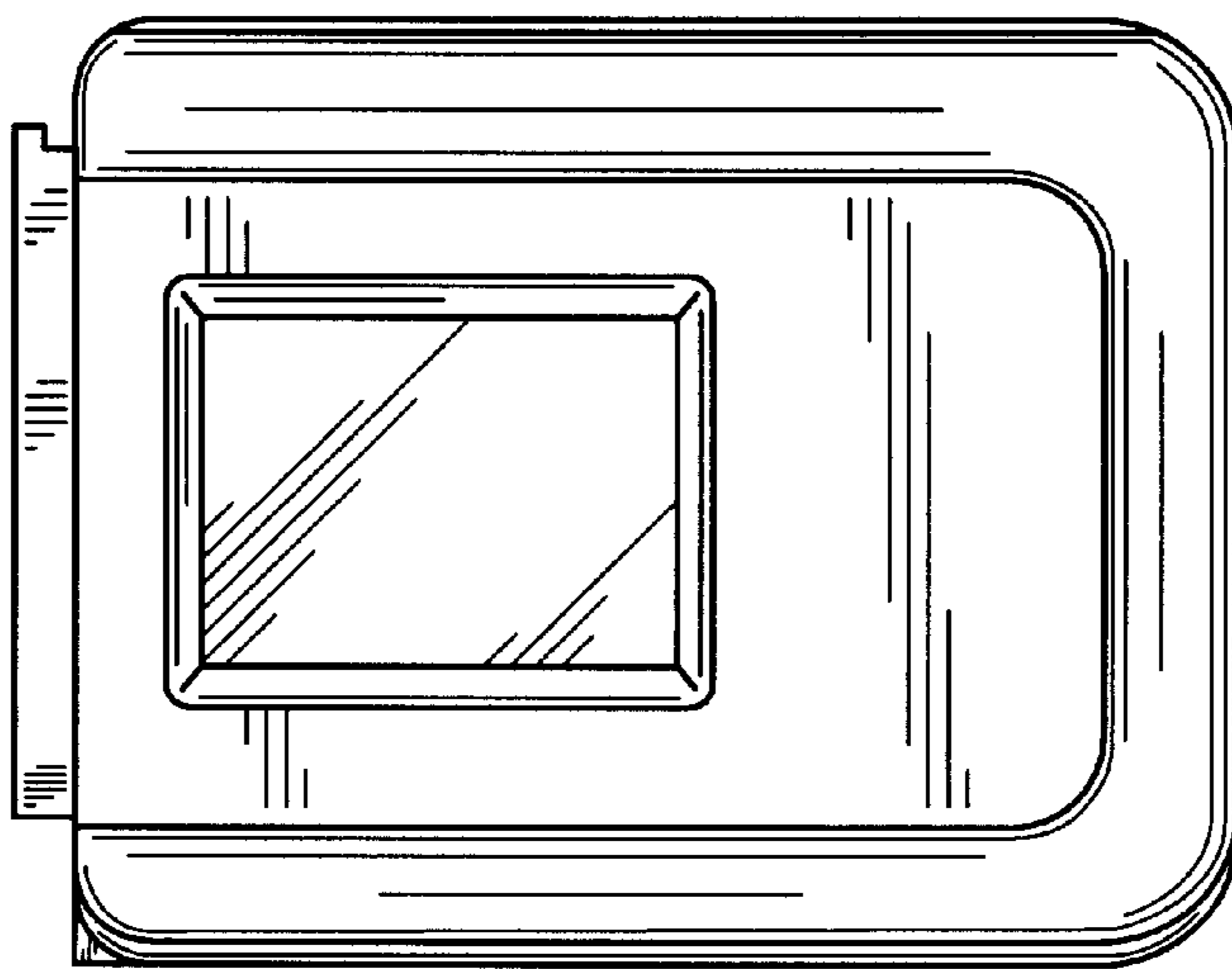


FIG. 24

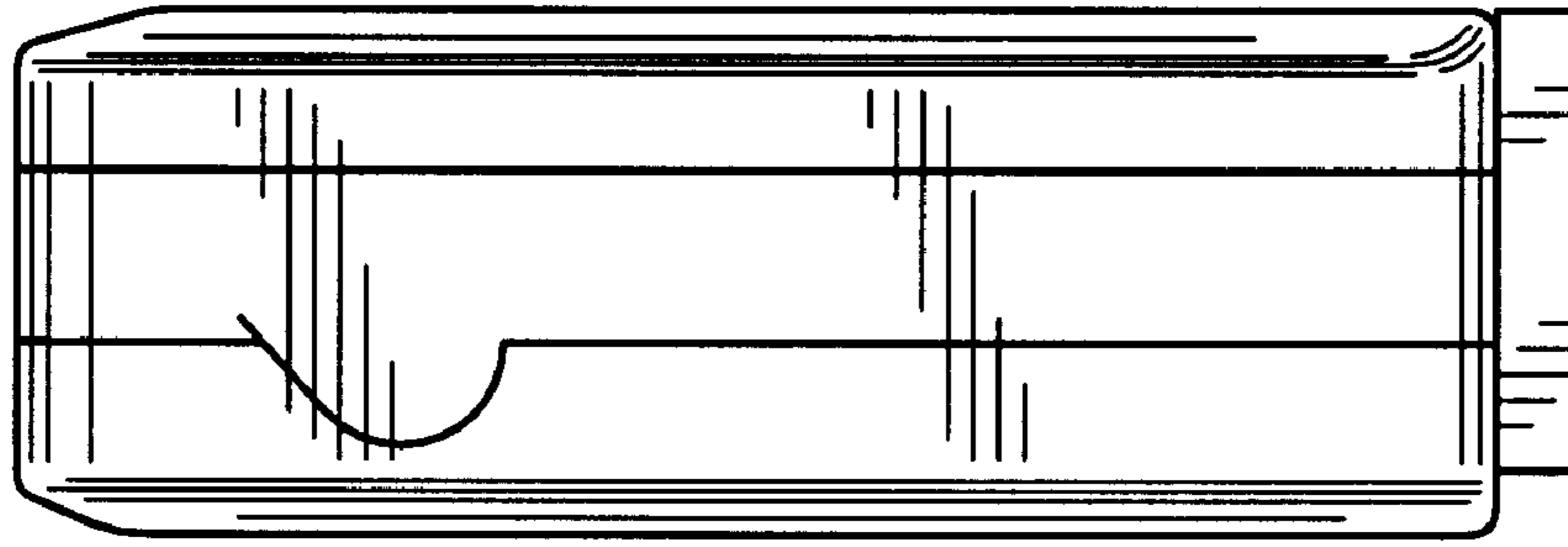


FIG. 25

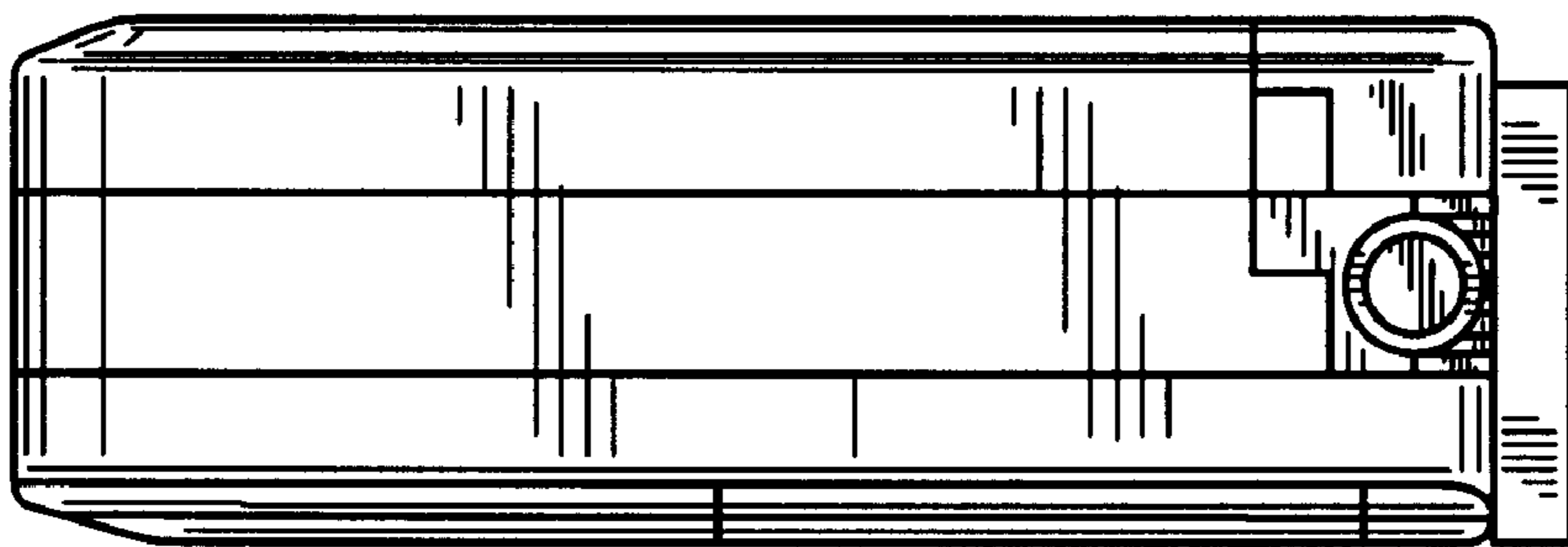


FIG. 26

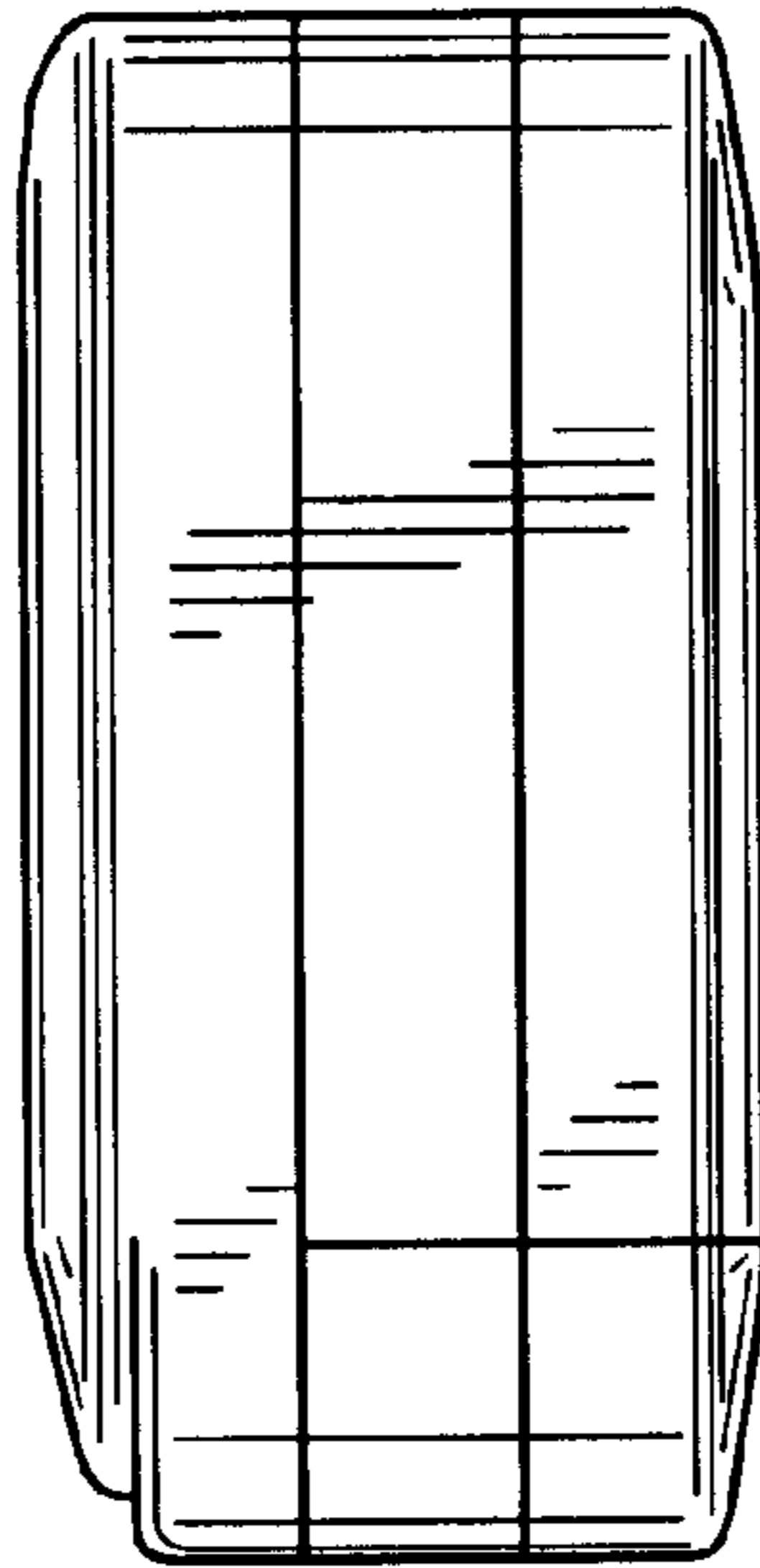


FIG. 27

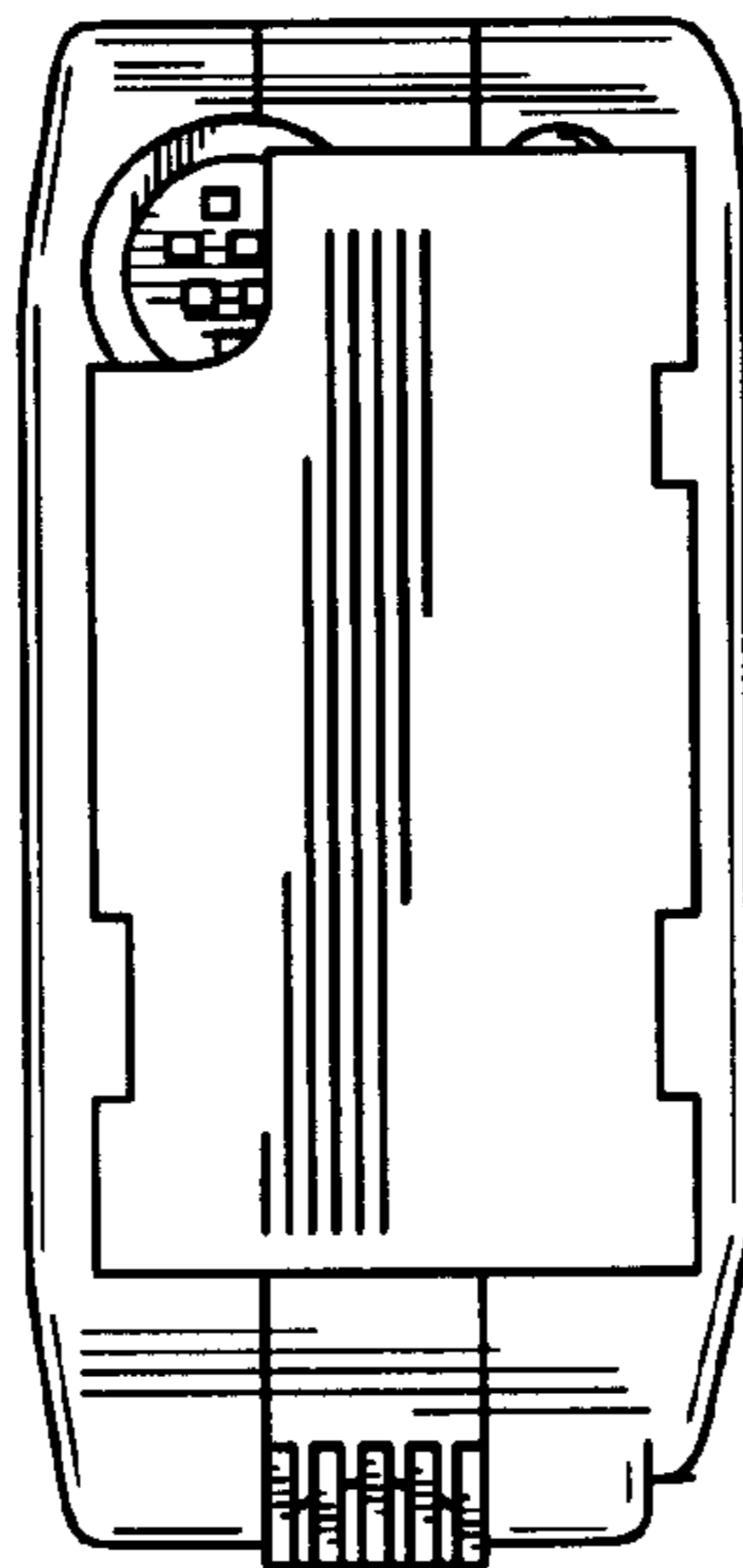


FIG. 28