



US00D430184S

# United States Patent [19] Tanaka

[11] Patent Number: **Des. 430,184**

[45] Date of Patent: **\*\* Aug. 29, 2000**

[54] CAMERA

[75] Inventor: **Kunihiko Tanaka**, Tokyo, Japan

[73] Assignee: **Fuji Photo Film Co., Ltd.**, Kanagawa, Japan

[\*\*] Term: **14 Years**

[21] Appl. No.: **29/115,706**

[22] Filed: **Dec. 21, 1999**

### [30] Foreign Application Priority Data

Jun. 24, 1999 [JP] Japan ..... 11-16624

[51] LOC (7) Cl. .... **16-01**

[52] U.S. Cl. .... **D16/209**

[58] Field of Search ..... D16/200-204,  
D16/208, 209, 217, 218; 396/176, 177,  
535-541

### [56] References Cited

#### U.S. PATENT DOCUMENTS

D. 289,175 4/1987 Noda ..... D16/209  
D. 361,585 8/1995 Hayamizu ..... D16/209

D. 384,684 10/1997 Hamamura ..... D16/209  
D. 397,129 8/1998 Eto et al. .... D16/209  
D. 412,516 8/1999 Yoshida ..... D16/209  
D. 415,511 10/1999 Funakoshi et al. .... D16/209  
6,041,185 3/2000 Suzuki ..... 396/177

*Primary Examiner*—Adir Aronovich  
*Attorney, Agent, or Firm*—Young & Thompson

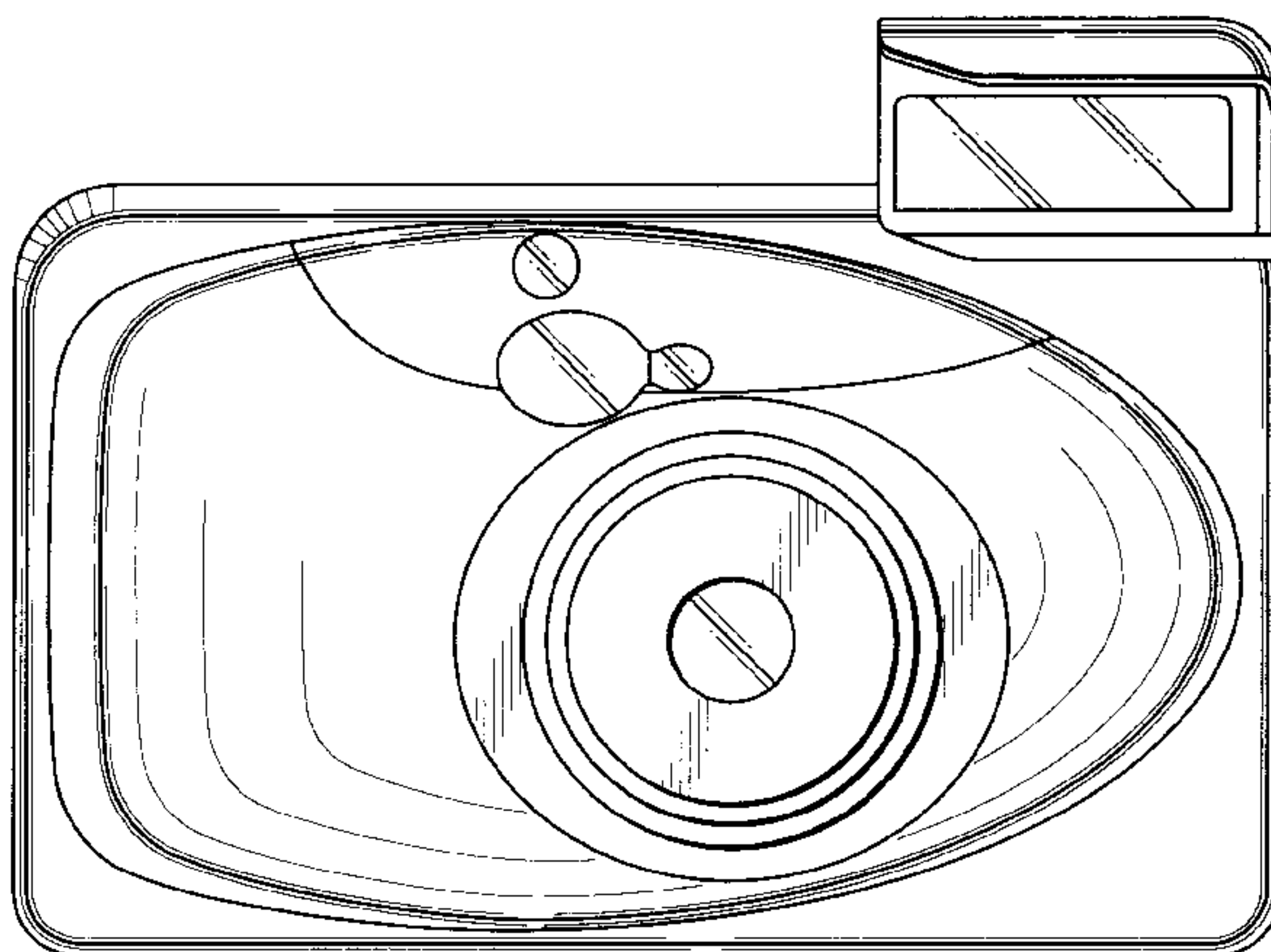
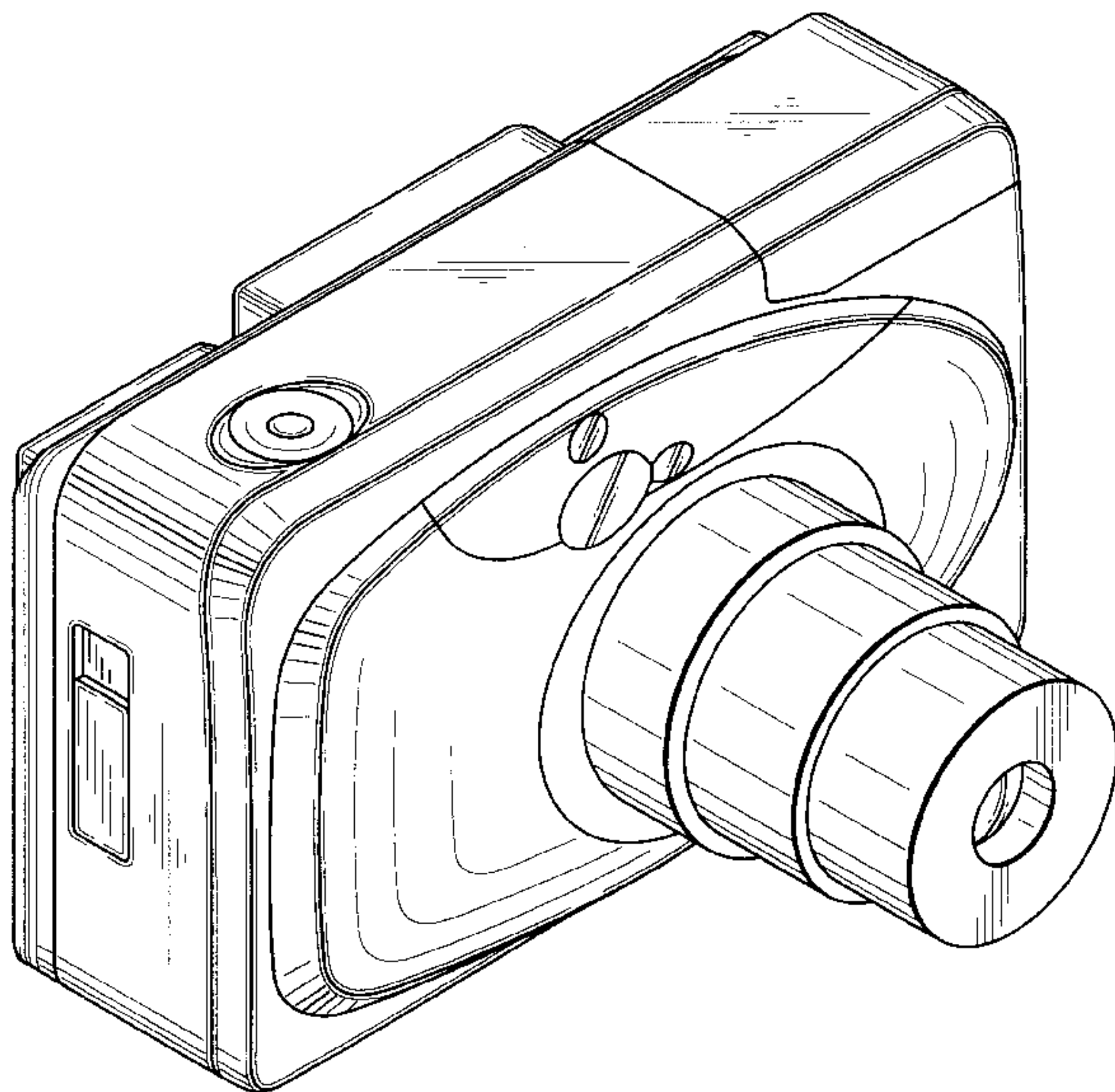
### [57] CLAIM

The ornamental design for a camera, as shown and described.

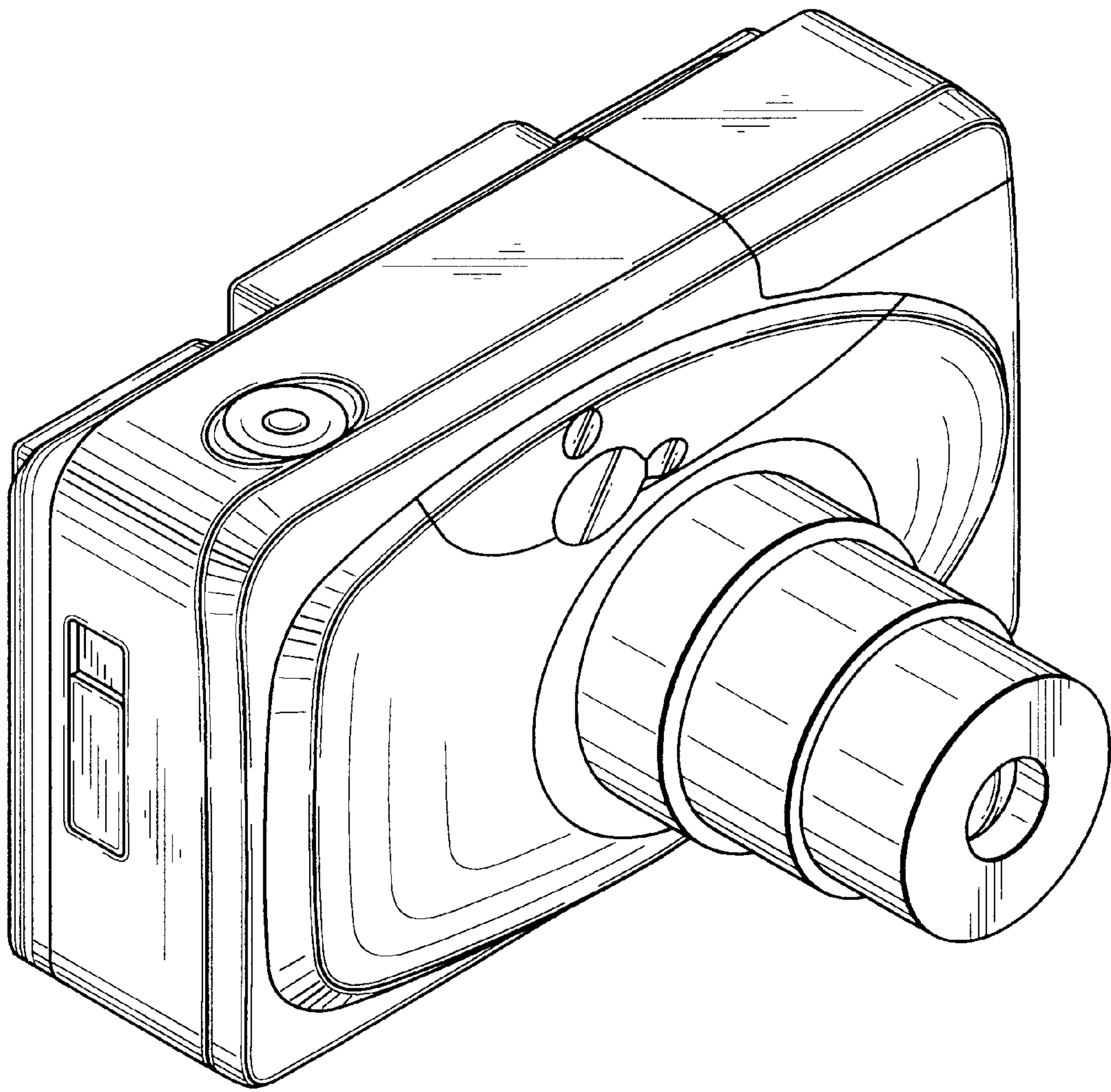
### DESCRIPTION

FIG. 1 is a perspective view of the top, front, and left side of a camera showing my new design;  
FIG. 2 is a front elevational view thereof;  
FIG. 3 is a rear elevational view thereof;  
FIG. 4 is a top plan view thereof;  
FIG. 5 is a bottom plan view thereof;  
FIG. 6 is a right side elevational view thereof;  
FIG. 7 is a left side elevational view thereof;  
FIG. 8 is a view similar to FIG. 1 with the lens barrier shut; and,  
FIG. 9 is a view similar to FIG. 2 with the strobe popped up.

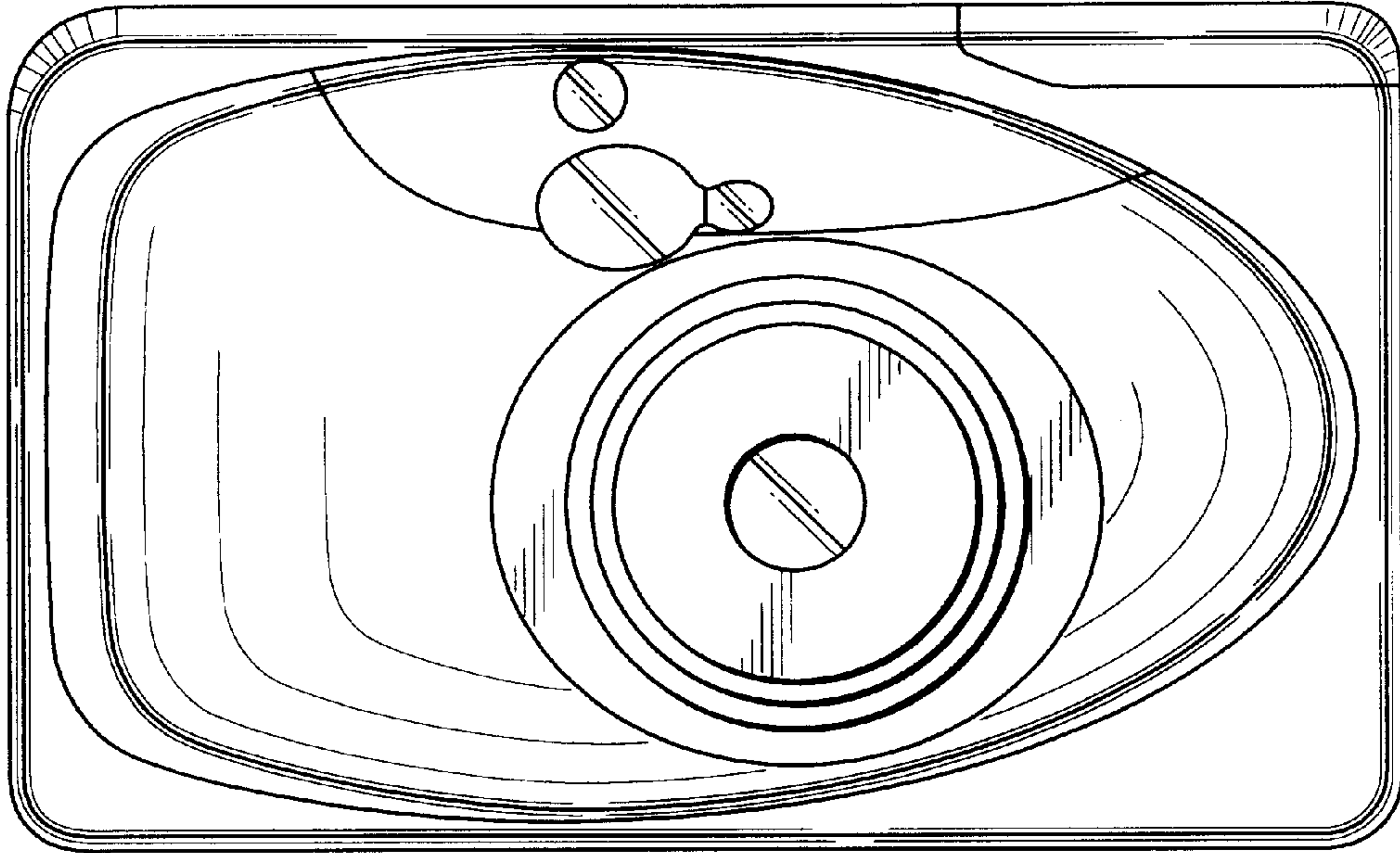
**1 Claim, 5 Drawing Sheets**



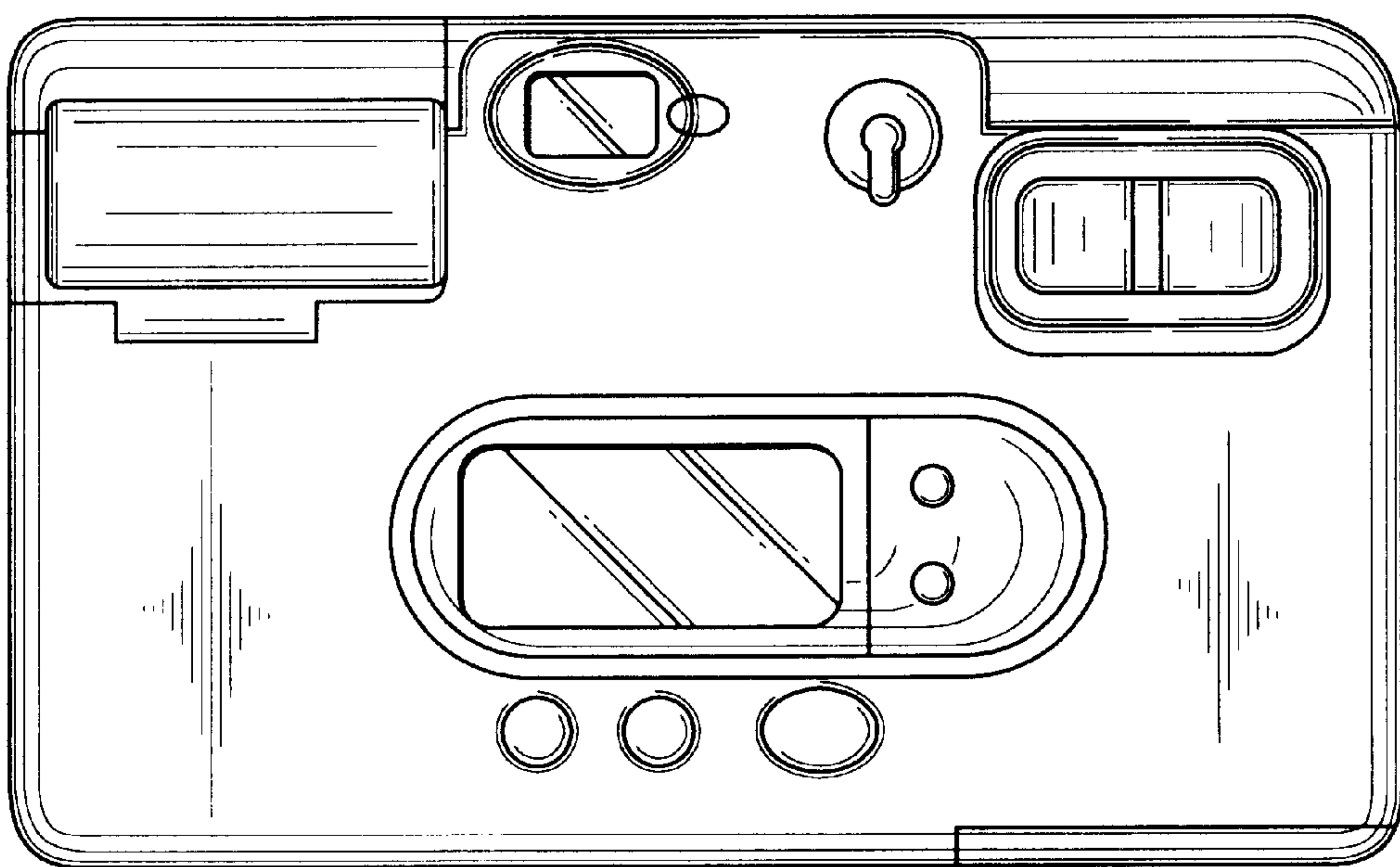
*FIG. 1*



*FIG. 2*

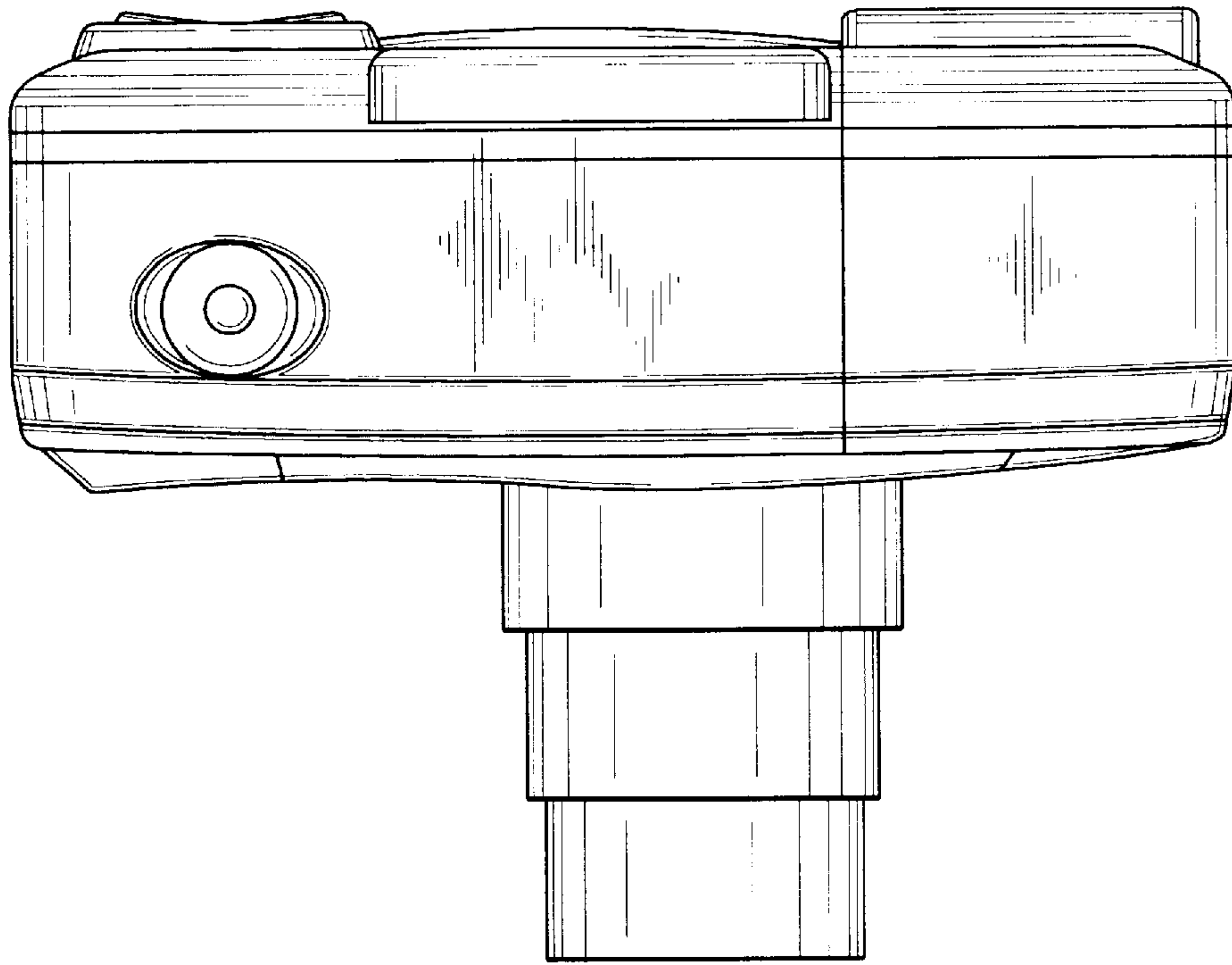


*FIG. 3*

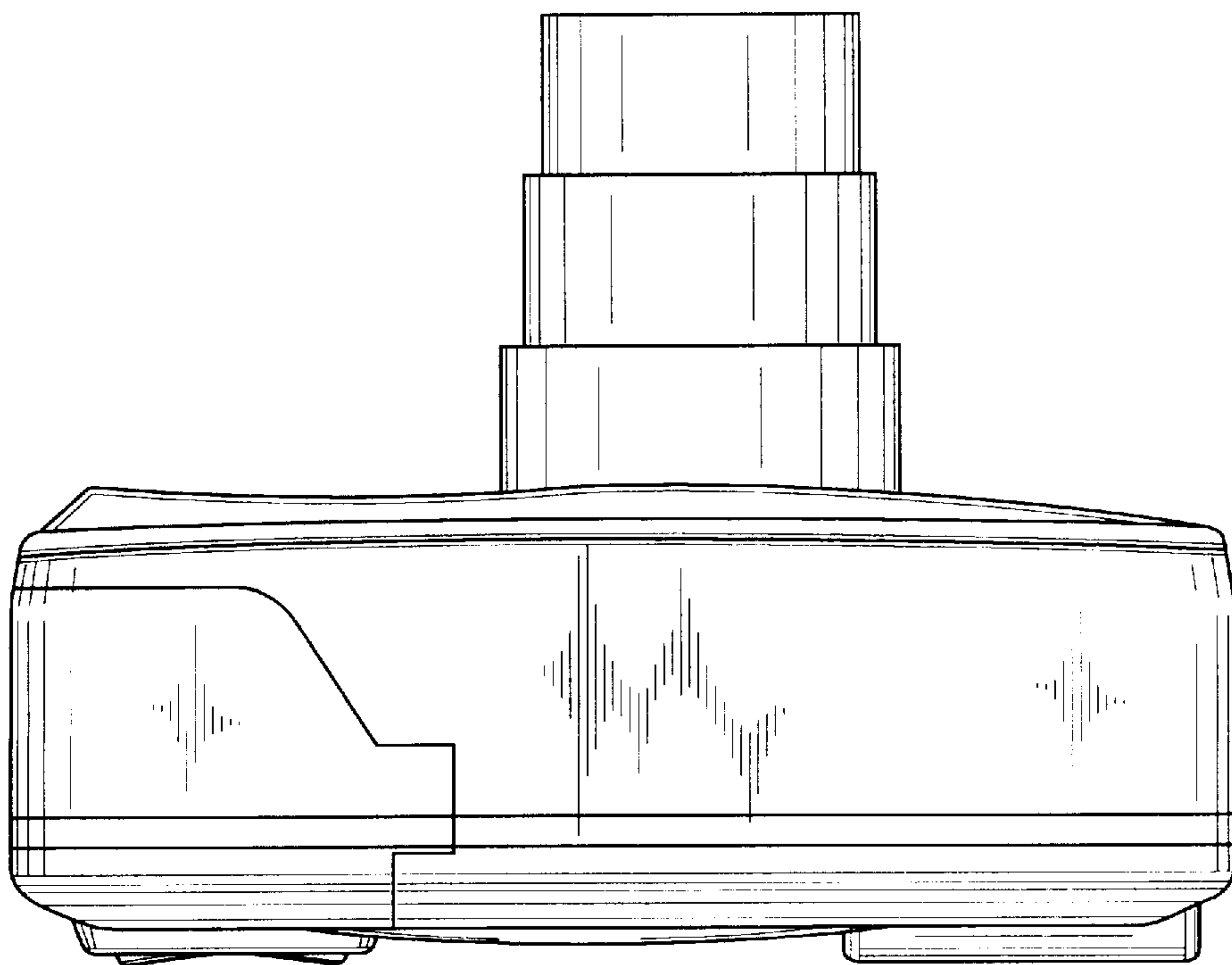




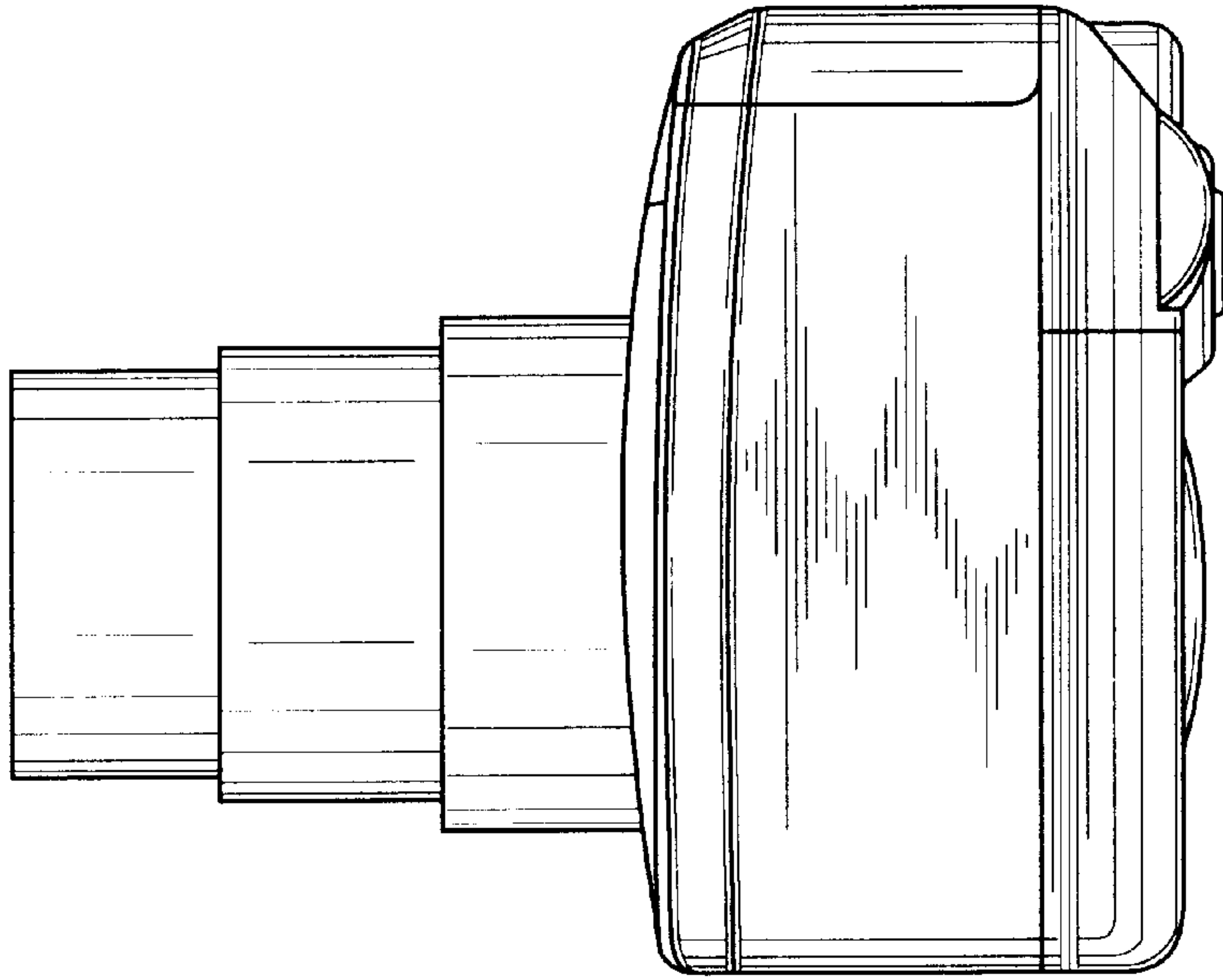
**FIG. 4**



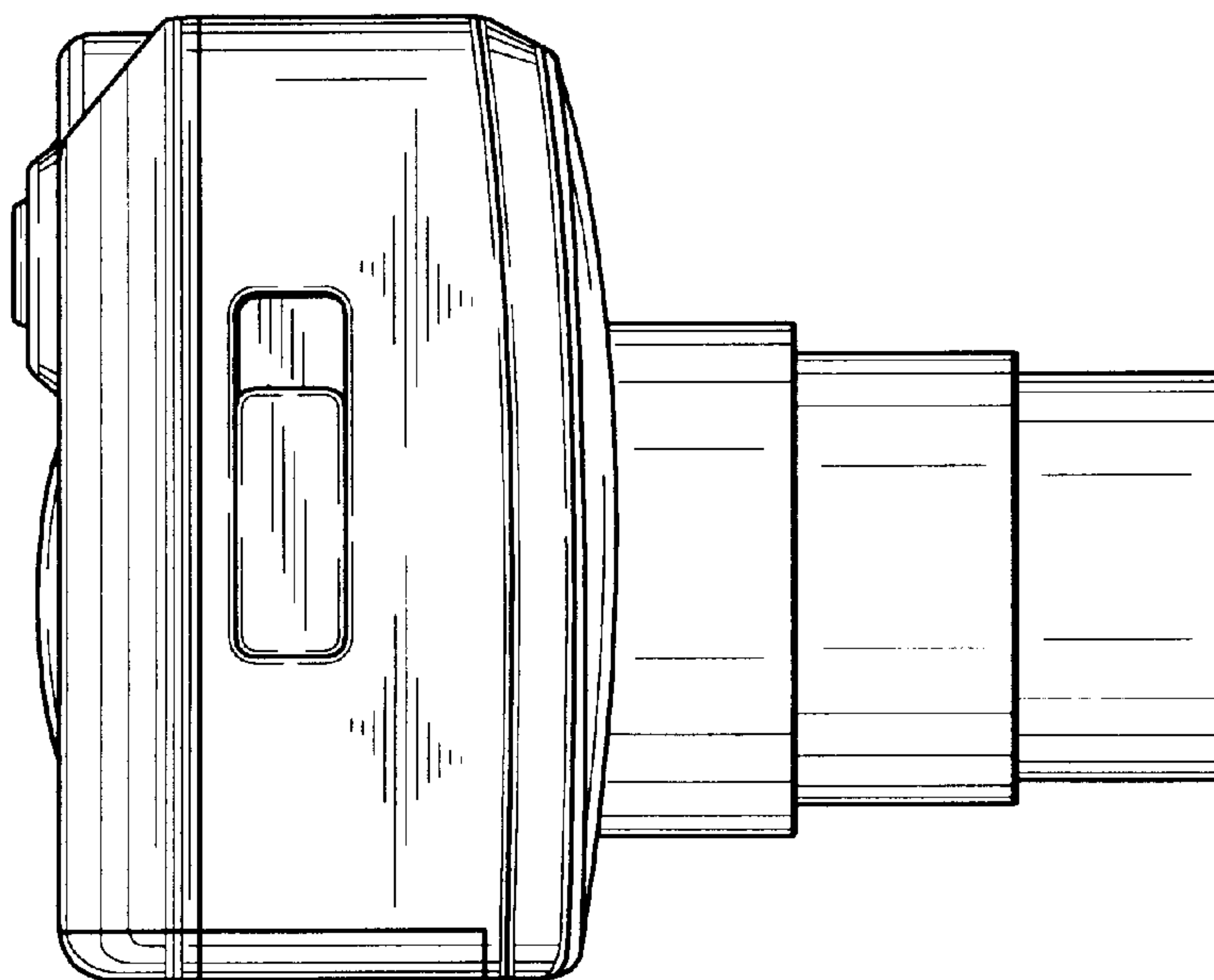
**FIG. 5**



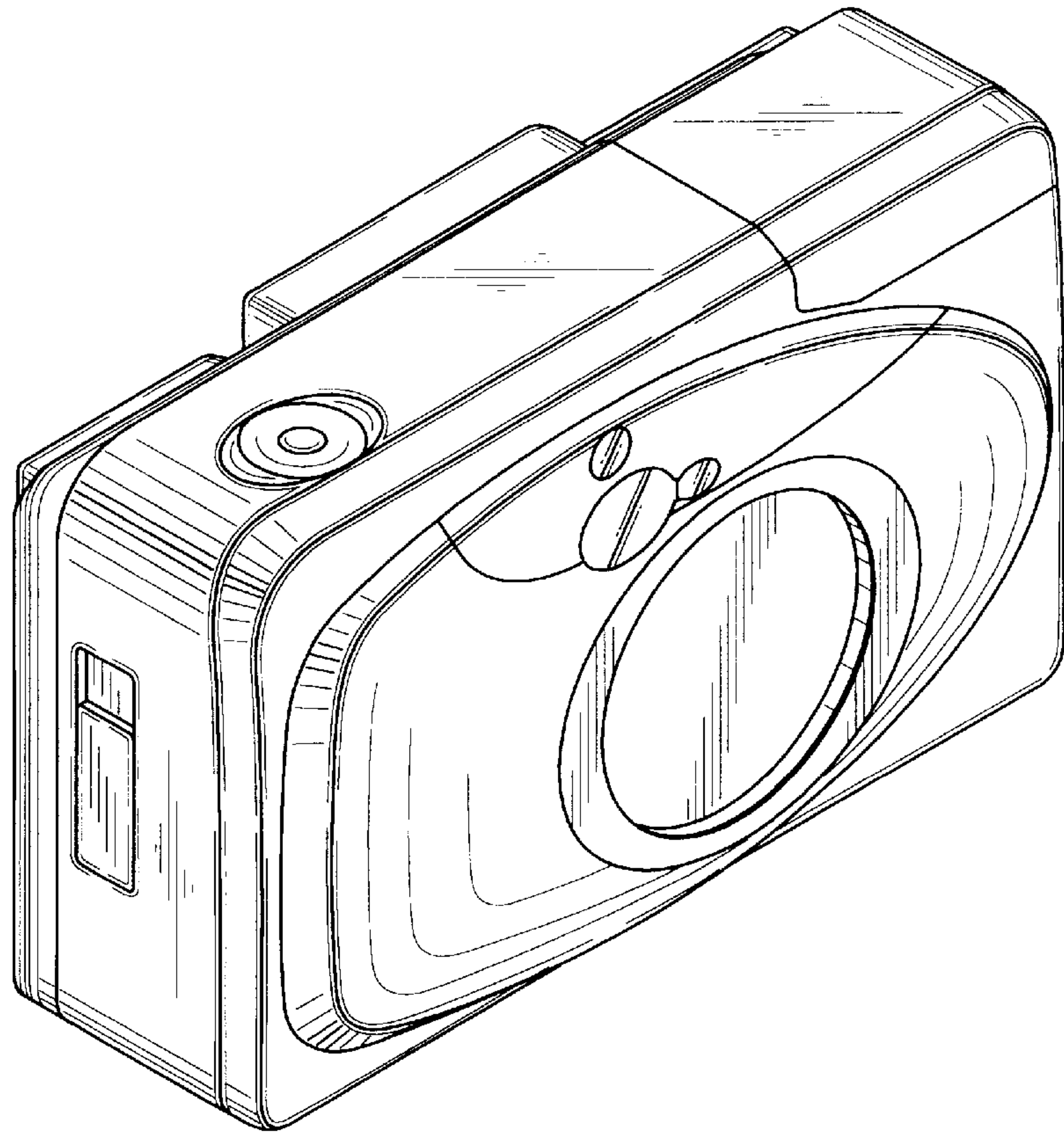
**FIG. 6**



**FIG. 7**



*FIG. 8*



*FIG. 9*

