



US00D430183S

# United States Patent [19]

Ito

[11] Patent Number: **Des. 430,183**

[45] Date of Patent: **\*\* Aug. 29, 2000**

[54] **DIGITAL CAMERA**

[75] Inventor: **Hideki Ito**, Kawagoe, Japan

[73] Assignee: **Canon Kabushiki Kaisha**, Tokyo, Japan

[\*\*] Term: **14 Years**

[21] Appl. No.: **29/116,166**

[22] Filed: **Dec. 28, 1999**

### [30] Foreign Application Priority Data

Jun. 29, 1999 [JP] Japan ..... 11-17166

[51] **LOC (7) Cl.** ..... **16-01**

[52] **U.S. Cl.** ..... **D16/202; D16/218**

[58] **Field of Search** ..... D16/200-205,  
D16/208, 209, 217, 218; 348/373-376;  
358/906, 909.1; 396/535-541

### [56] References Cited

#### U.S. PATENT DOCUMENTS

D. 386,775 11/1997 Shiotani et al. .... D16/218

D. 401,604 11/1998 Ito et al. .... D16/218  
D. 407,098 3/1999 Goto et al. .... D16/202  
D. 407,731 4/1999 Morishita et al. .... D16/209  
D. 410,482 6/1999 Kawai ..... D16/218

*Primary Examiner*—Adir Aronovich  
*Attorney, Agent, or Firm*—Fitzpatrick, Cella, Harper & Scinto

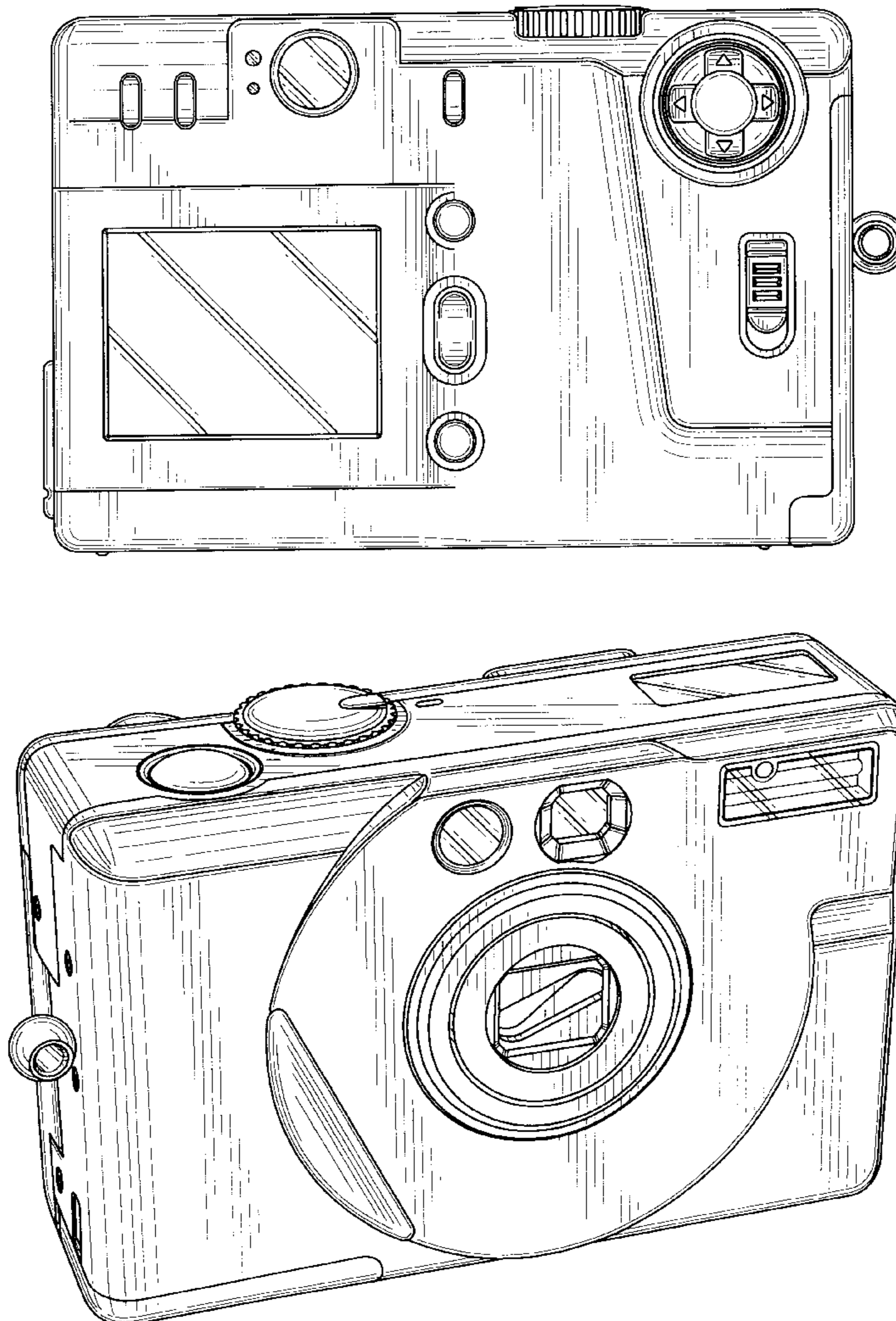
### [57] CLAIM

The ornamental design for a digital camera, as shown and described.

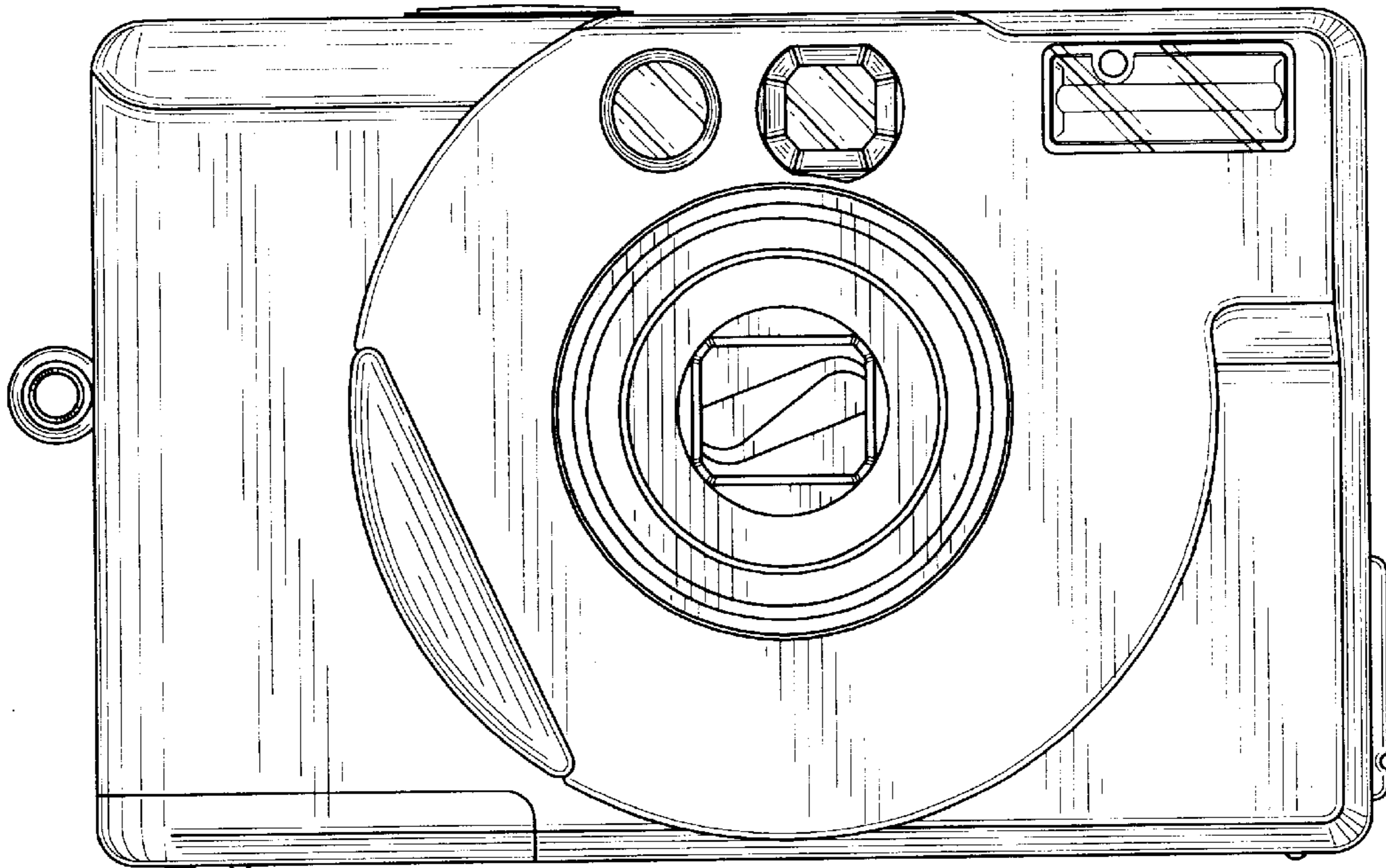
### DESCRIPTION

FIG. 1 is a front view of a digital camera showing my new design;  
FIG. 2 is a rear view thereof;  
FIG. 3 is a top plan view thereof;  
FIG. 4 is a bottom plan view thereof;  
FIG. 5 is a left side view thereof;  
FIG. 6 is a right side view thereof; and,  
FIG. 7 is a perspective view thereof.

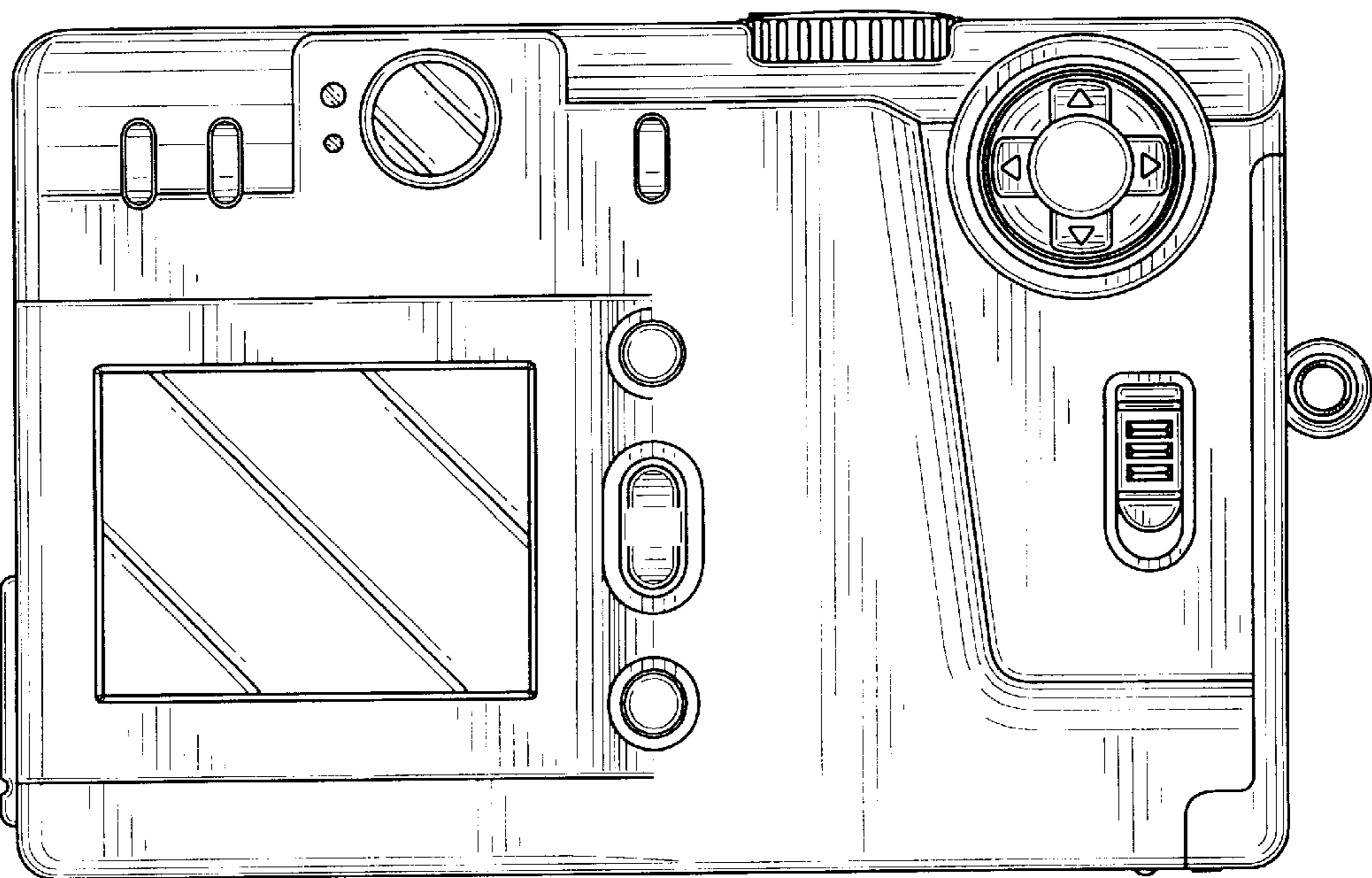
**1 Claim, 3 Drawing Sheets**



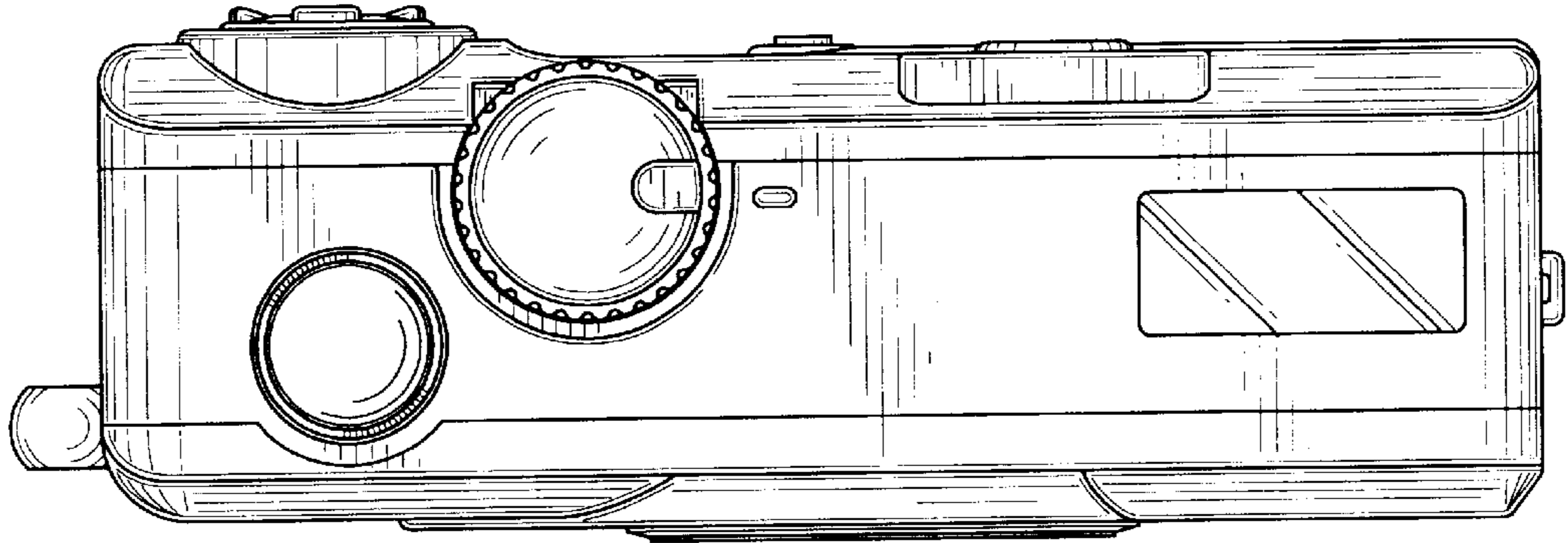
*FIG. 1*



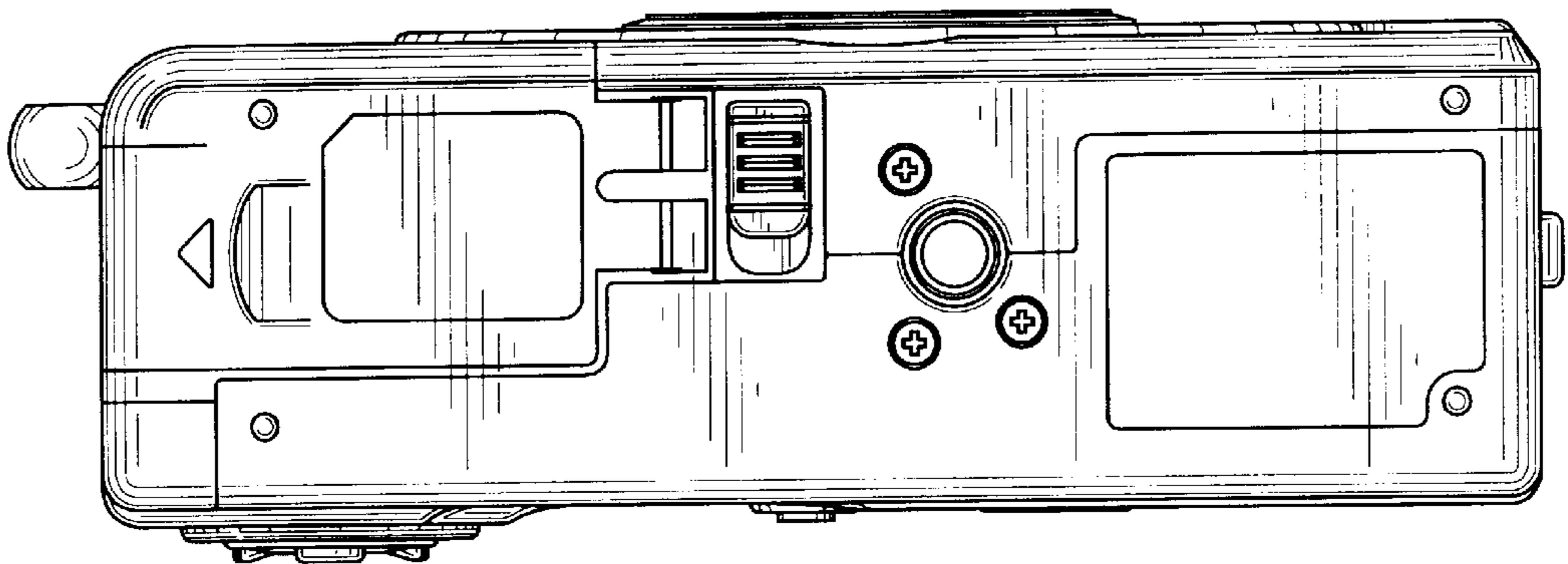
*FIG. 2*



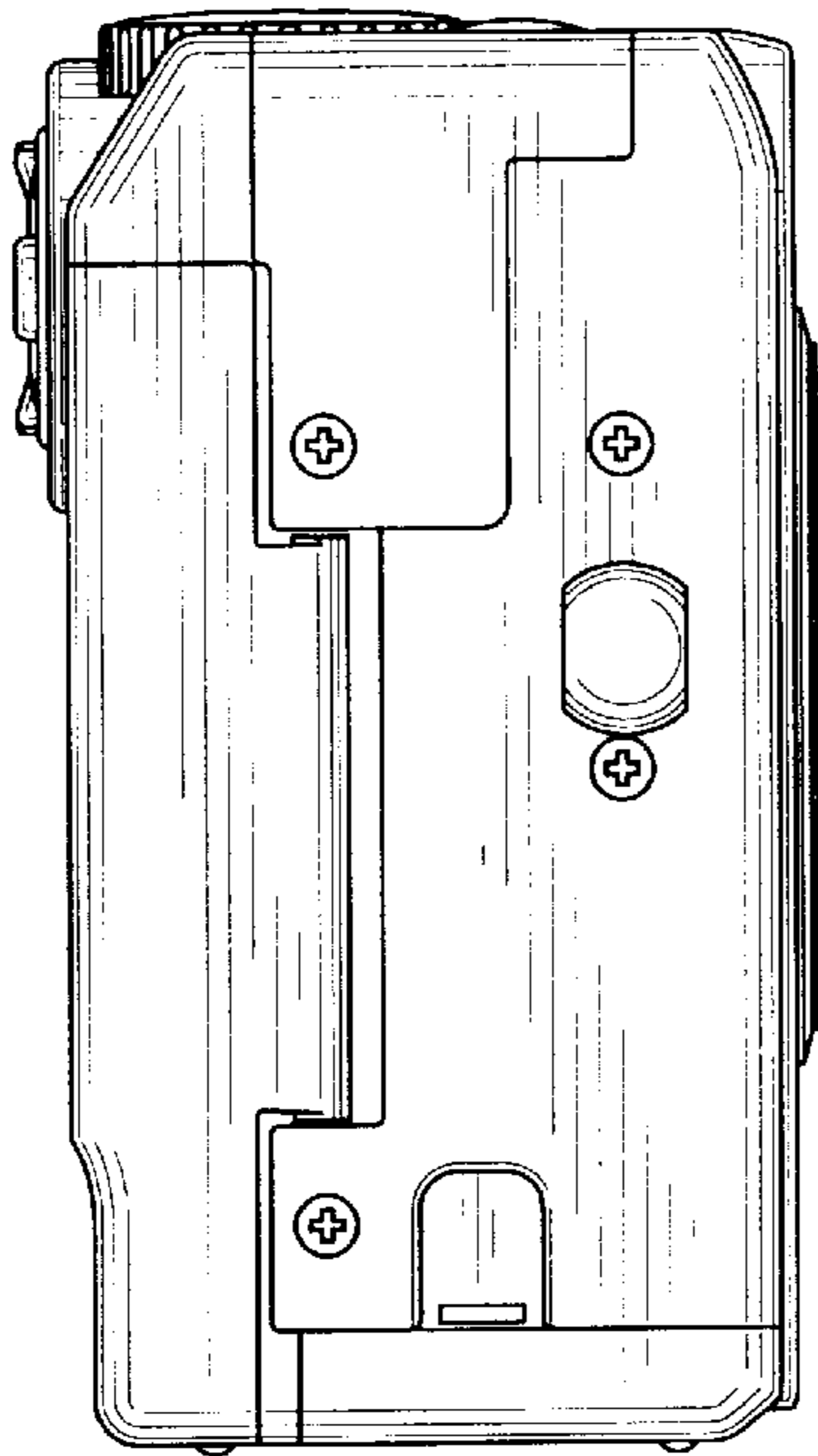
*FIG. 3*



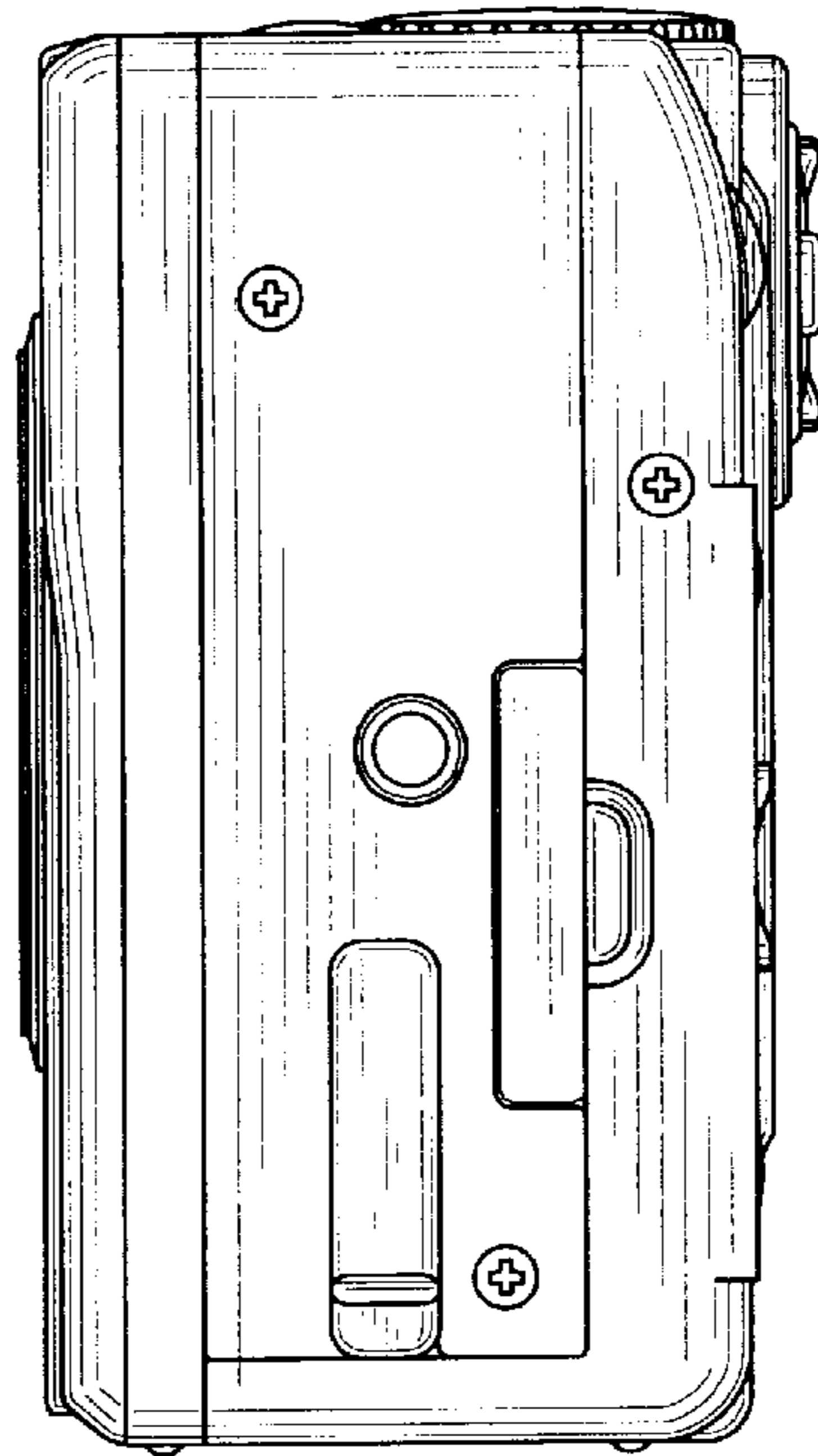
*FIG. 4*



*FIG. 5*



*FIG. 6*



*FIG. 7*

