



US00D430182S

**United States Patent** [19]  
**Miyahara**

[11] **Patent Number: Des. 430,182**

[45] **Date of Patent: \*\* Aug. 29, 2000**

[54] **BINOCULARS**

[75] Inventor: **Kazuhiko Miyahara**, Yokohama, Japan

[73] Assignee: **Canon Kabushiki Kaisha**, Tokyo, Japan

[\*\*] Term: **14 Years**

[21] Appl. No.: **29/115,481**

[22] Filed: **Dec. 16, 1999**

[30] **Foreign Application Priority Data**

Jun. 24, 1999 [JP] Japan ..... 11-16590

[51] **LOC (7) Cl.** ..... **16-06**

[52] **U.S. Cl.** ..... **D16/133**

[58] **Field of Search** ..... D16/130, 133;  
359/408, 409, 410, 411, 412, 413, 414,  
415, 416, 417, 418, 419

[56] **References Cited**

**U.S. PATENT DOCUMENTS**

- D. 146,487 3/1947 Shields ..... D16/133
- D. 307,154 4/1990 Shishikura ..... D16/133

- D. 353,388 12/1994 Matsushita ..... D16/133
- D. 365,832 1/1996 Miyahara et al. .... D16/133
- D. 376,164 12/1996 Hasegawa et al. .... D16/133
- D. 399,859 10/1998 Hasegawa ..... D16/133
- D. 406,597 3/1999 Kimura et al. .... D16/133
- D. 413,131 8/1999 Koinuma ..... D16/133

*Primary Examiner*—Paula A. Mortimer  
*Attorney, Agent, or Firm*—Fitzpatrick, Cella, Harper & Scinto

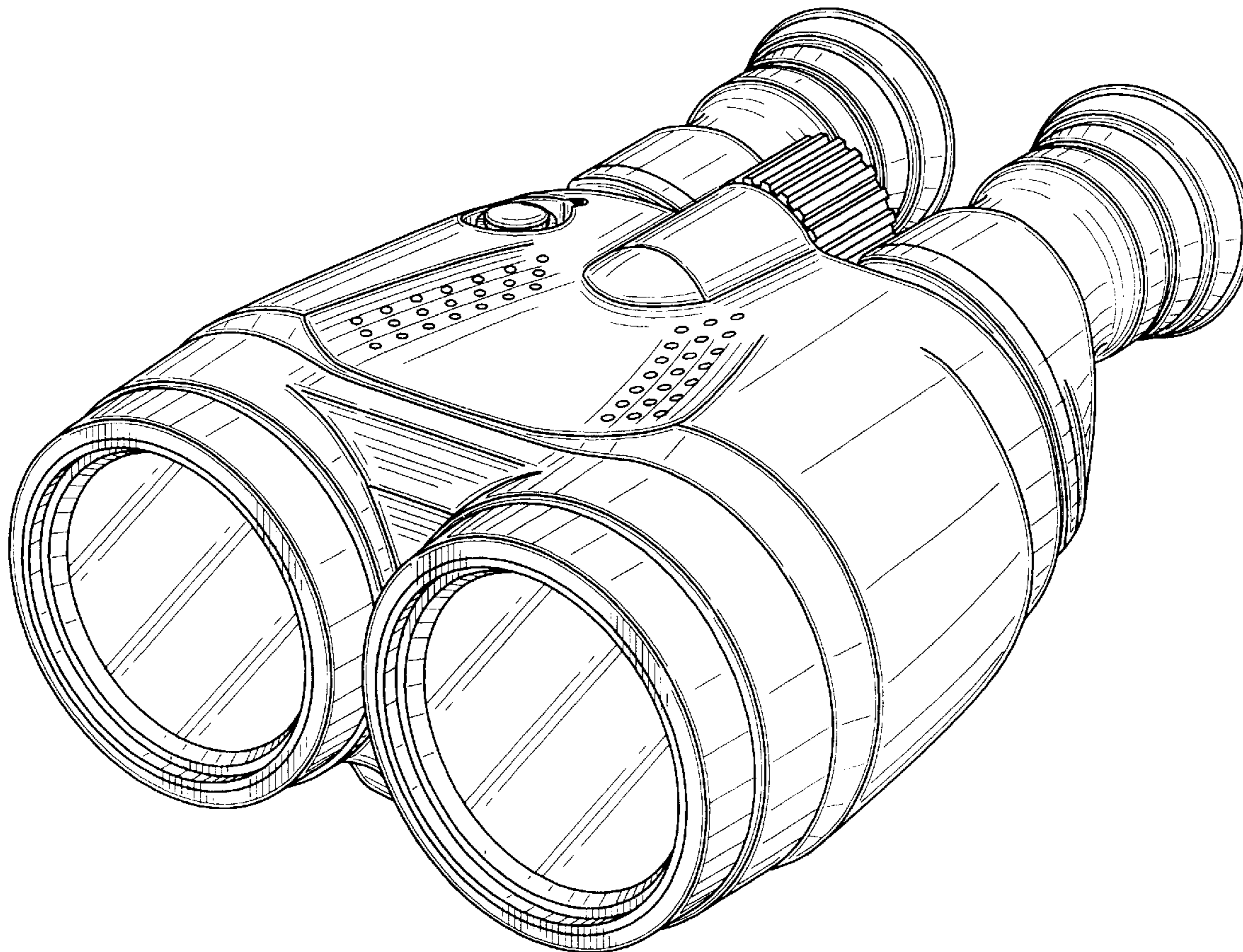
[57] **CLAIM**

The ornamental design for a binoculars, as shown and described.

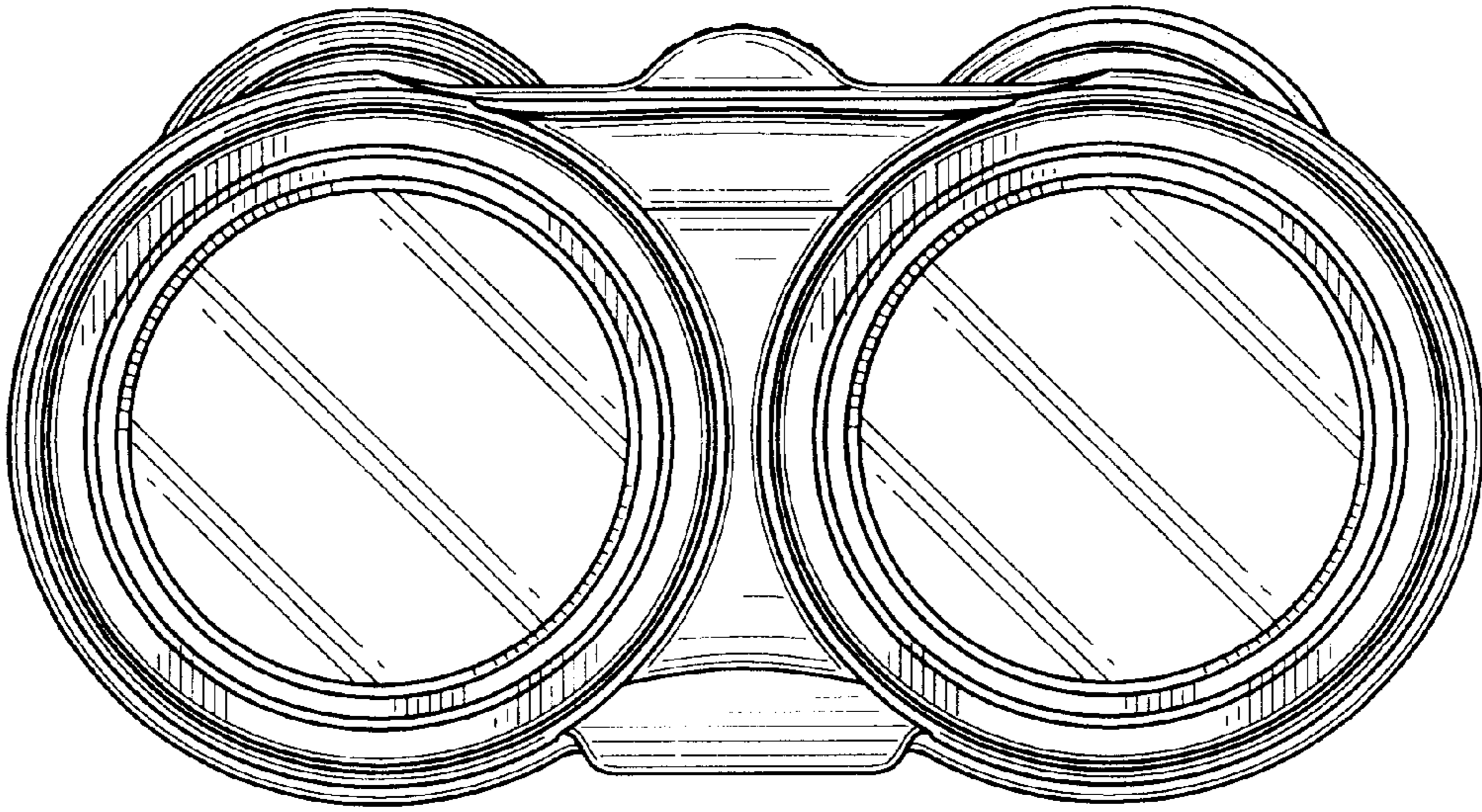
**DESCRIPTION**

FIG. 1 is a front view of a binoculars showing my new design;  
FIG. 2 is a rear view thereof;  
FIG. 3 is a top plan view thereof;  
FIG. 4 is a bottom plan view thereof;  
FIG. 5 is a left side view thereof;  
FIG. 6 is a right side view thereof; and,  
FIG. 7 is a perspective view thereof.

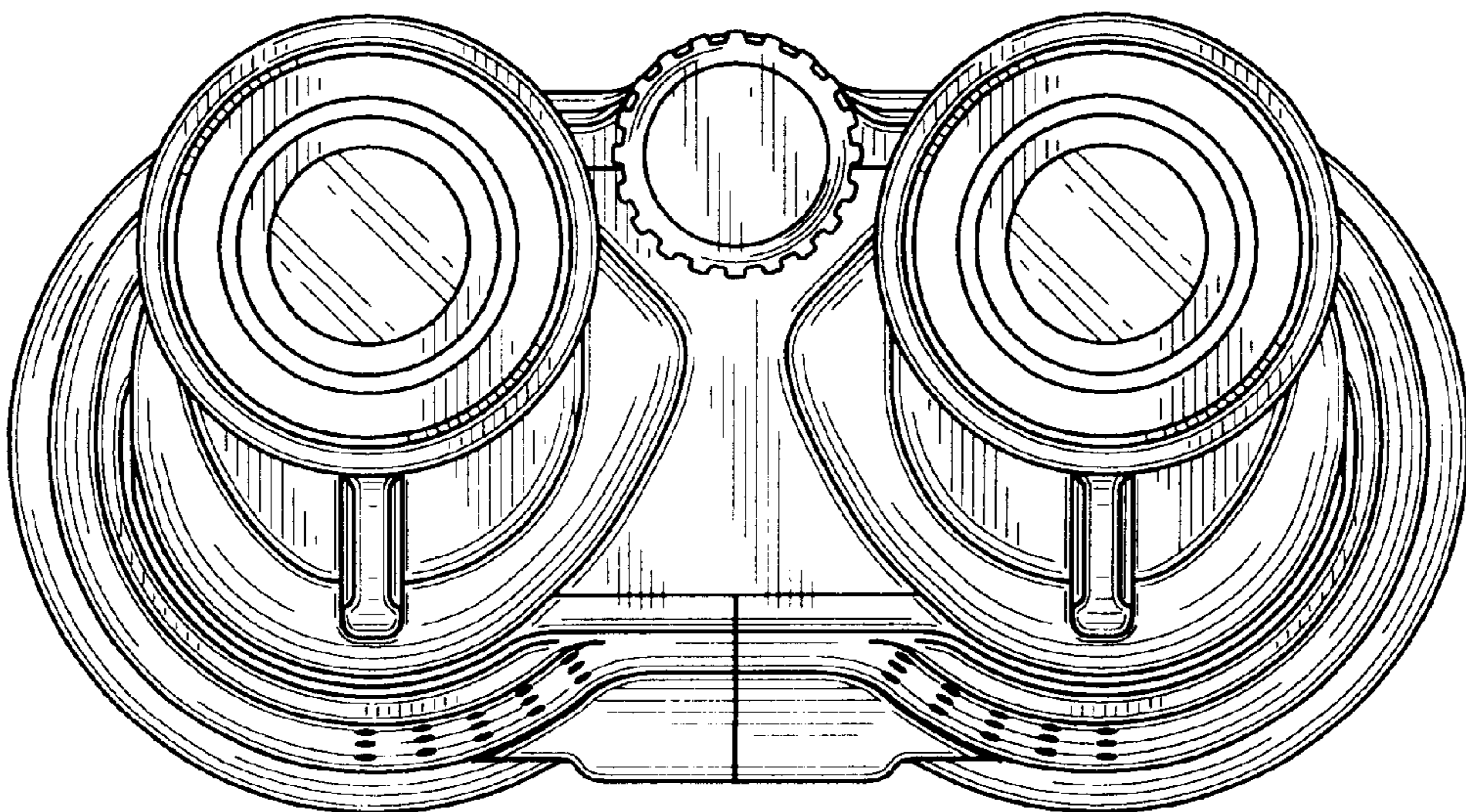
**1 Claim, 5 Drawing Sheets**



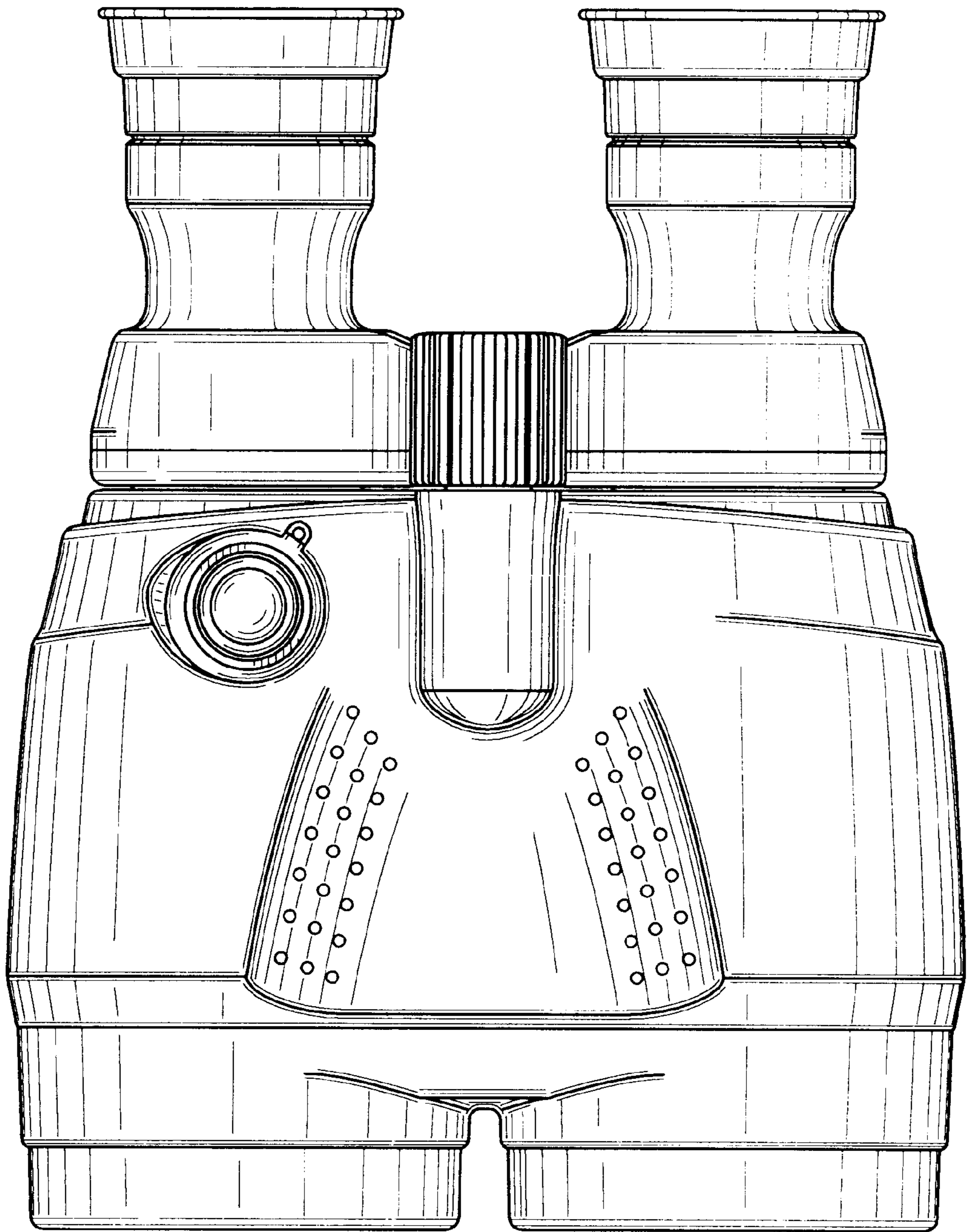
*FIG. 1*



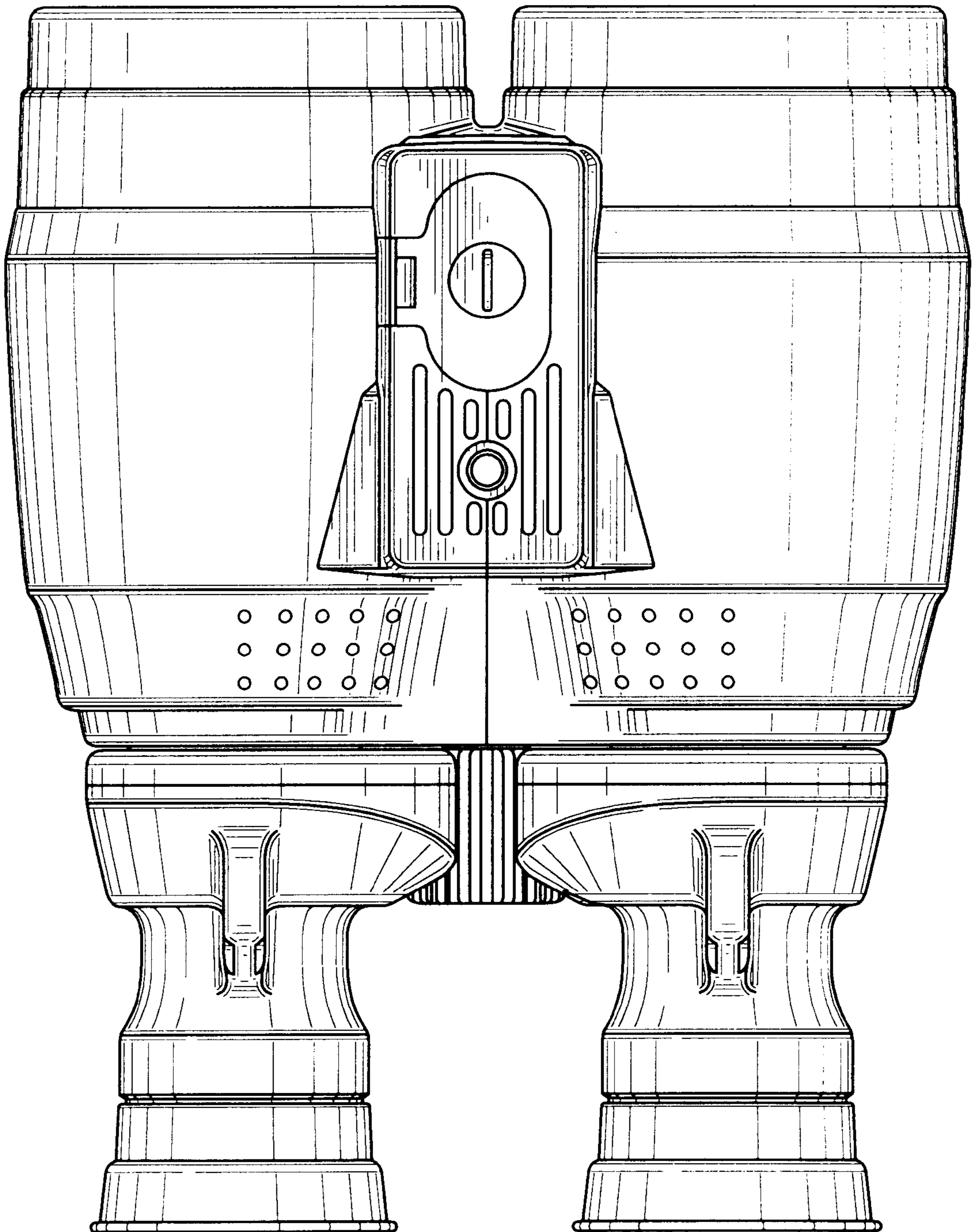
*FIG. 2*



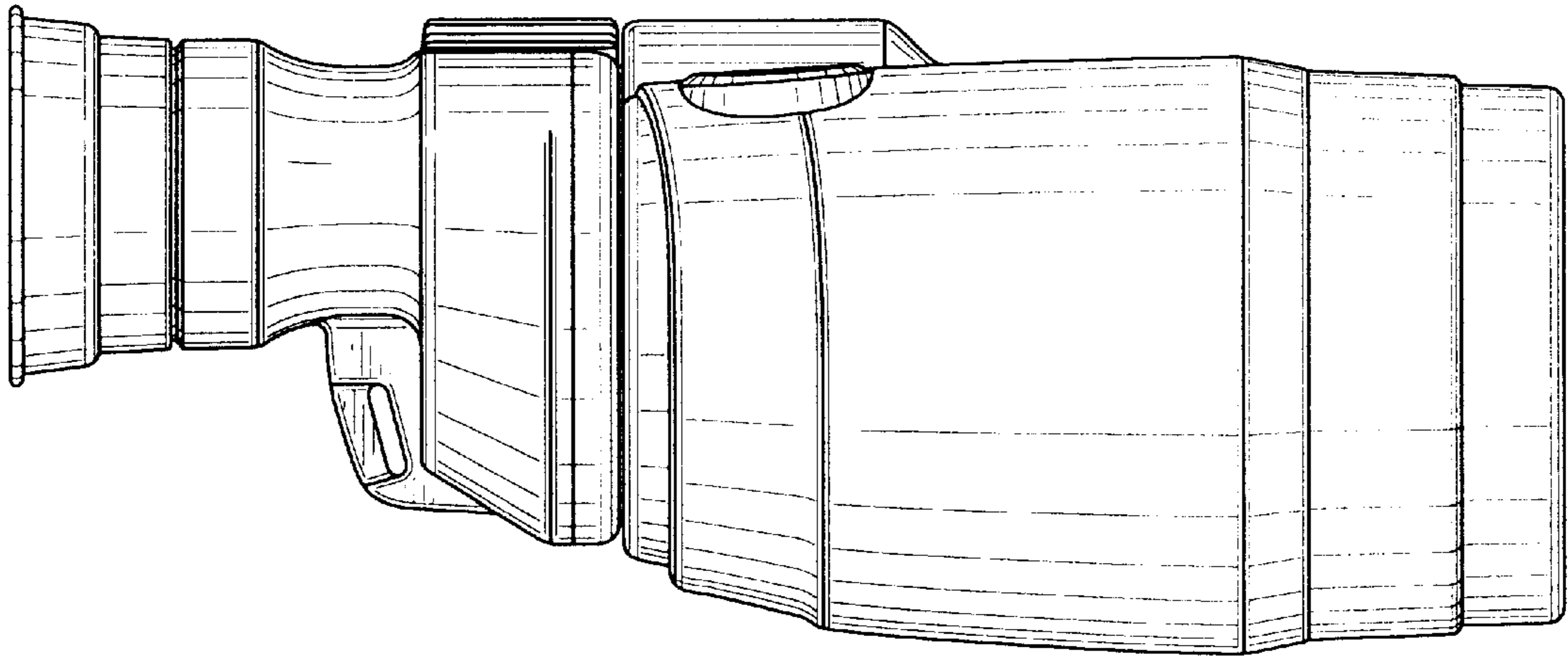
*FIG. 3*



*FIG. 4*



*FIG. 5*



*FIG. 6*

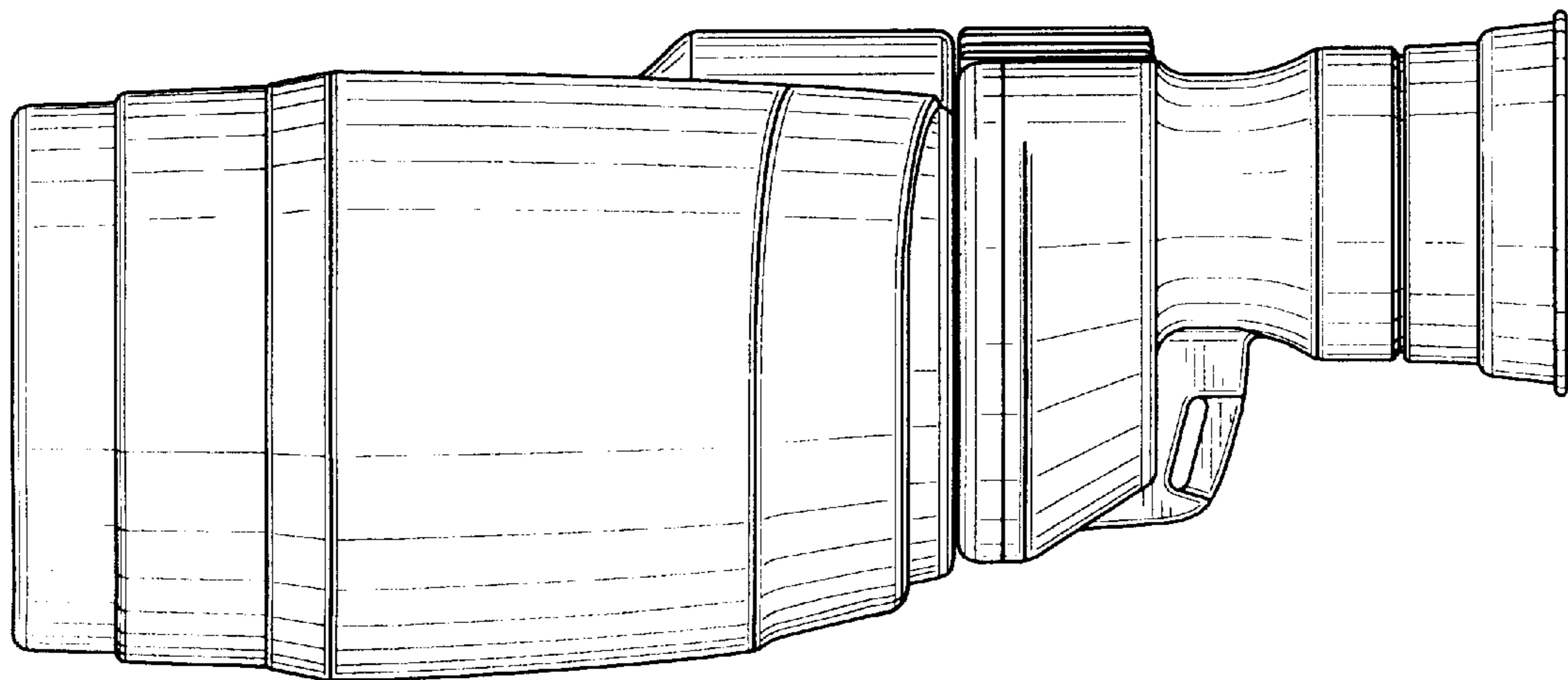


FIG. 7

