



US00D430179S

United States Patent [19]

Asai et al.

[11] Patent Number: **Des. 430,179**

[45] Date of Patent: **** Aug. 29, 2000**

[54] **LINEAR-MOVING APPARATUS**

D. 407,409 4/1999 Masuda et al. D15/199 X

[75] Inventors: **Go Asai; Kazuhiro Iida**, both of Toride, Japan

Primary Examiner—Antoine Duval Davis
Attorney, Agent, or Firm—Frishauf, Holtz, Goodman, Langer & Chick, P.C.

[73] Assignee: **SMC Kabushiki Kaisha**, Tokyo, Japan

[**] Term: **14 Years**

[57] CLAIM

[21] Appl. No.: **29/112,155**

The ornamental design for a linear-moving apparatus, as shown.

[22] Filed: **Oct. 12, 1999**

DESCRIPTION

[30] Foreign Application Priority Data

Apr. 16, 1999 [JP] Japan 11-10044

FIG. 1 is a top, front and left side perspective view of a linear-moving apparatus showing our new design;

[51] **LOC (7) Cl.** **15-09**

FIG. 2 is a front view thereof;

[52] **U.S. Cl.** **D15/143; D15/199**

FIG. 3 is a top plan view thereof;

[58] **Field of Search** D15/143, 199;
74/89.15, 490.09; 310/20, 80

FIG. 4 is a right side view thereof;

FIG. 5 is a rear view thereof;

FIG. 6 is a bottom plan view thereof; and,

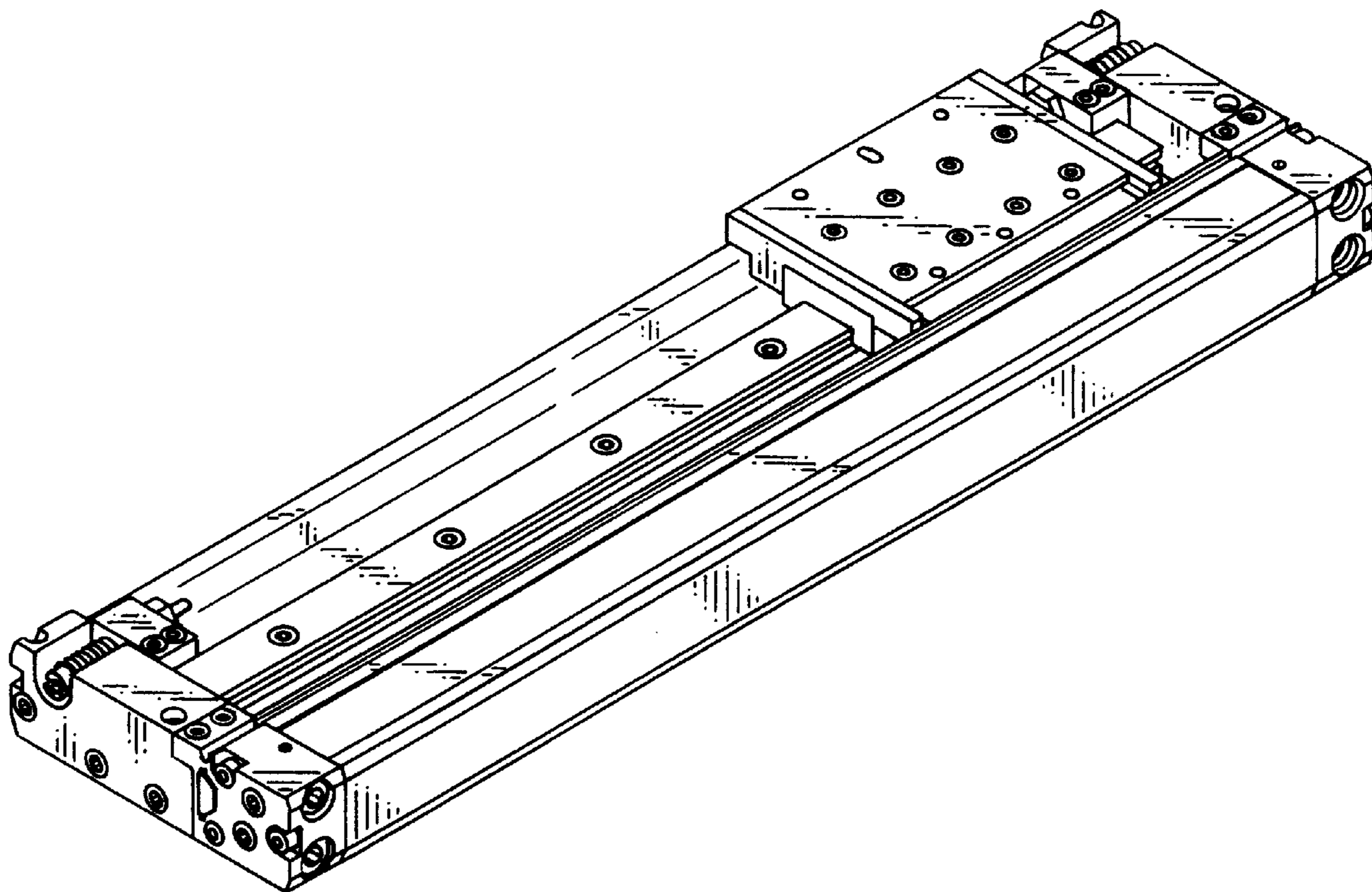
FIG. 7 is a left side view thereof.

[56] References Cited

U.S. PATENT DOCUMENTS

D. 365,352 12/1995 Miyamoto et al. D15/143

1 Claim, 3 Drawing Sheets



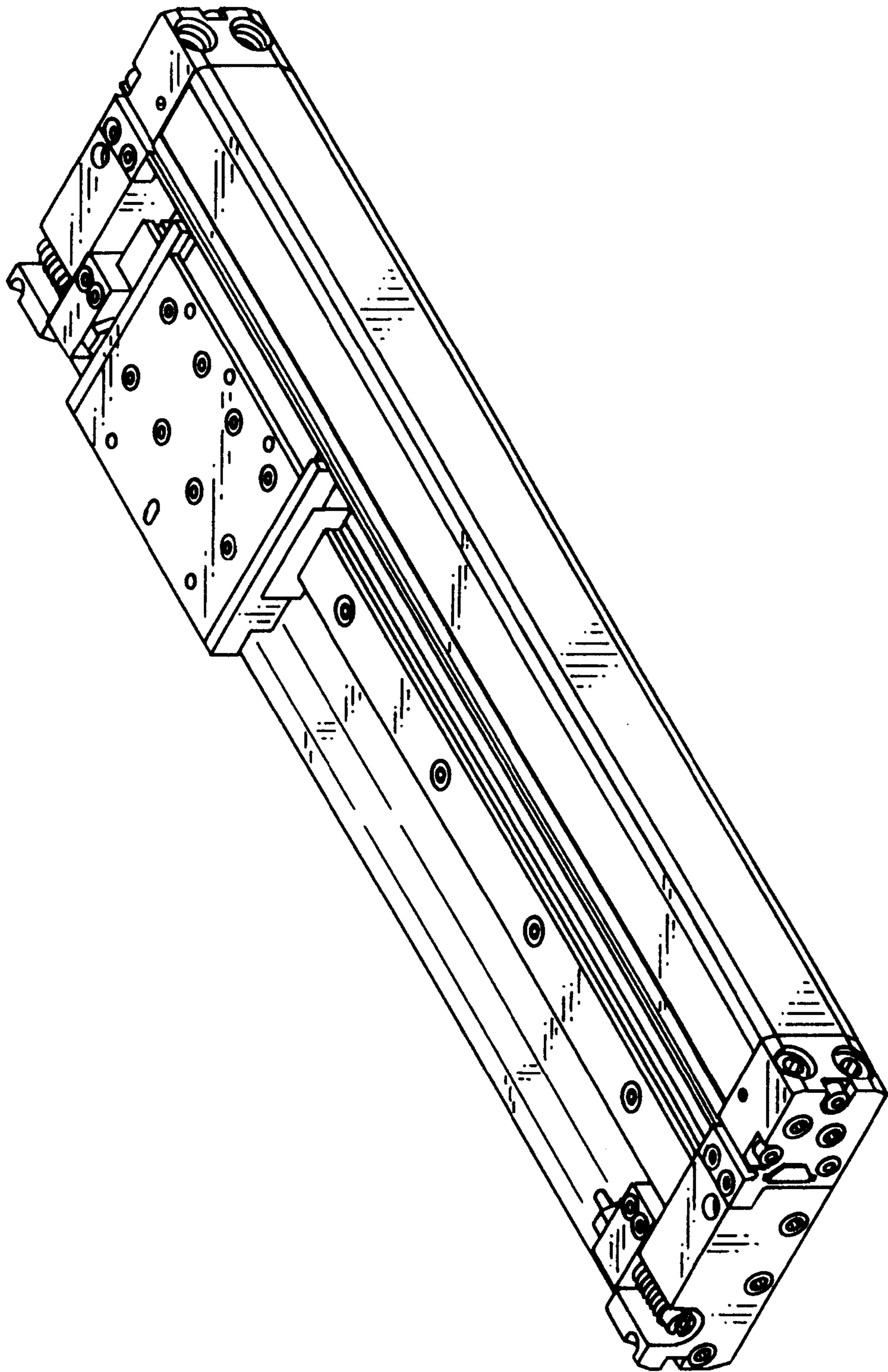


FIG. 1

FIG. 2

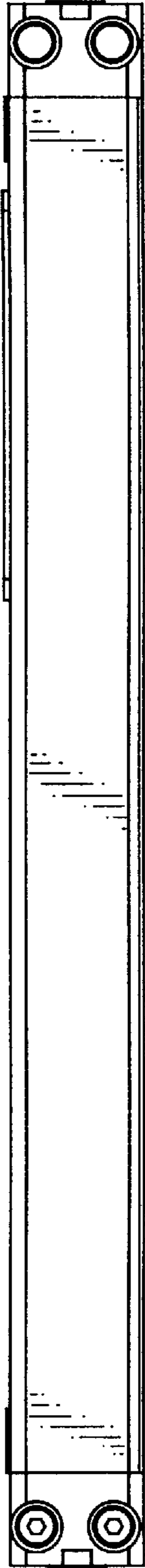


FIG. 3

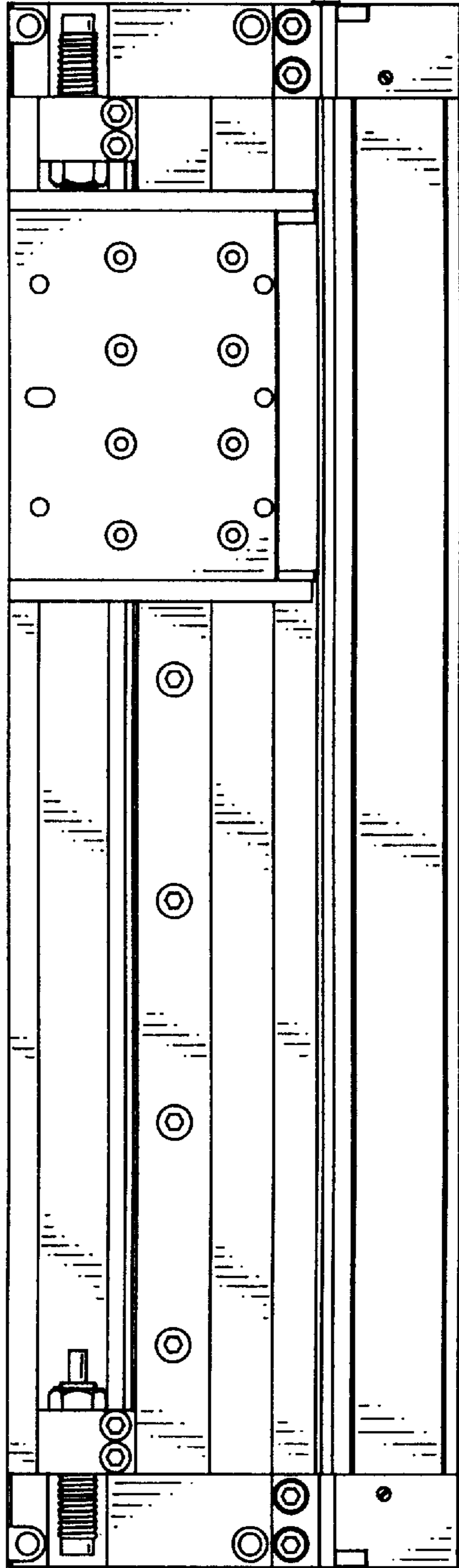


FIG. 4

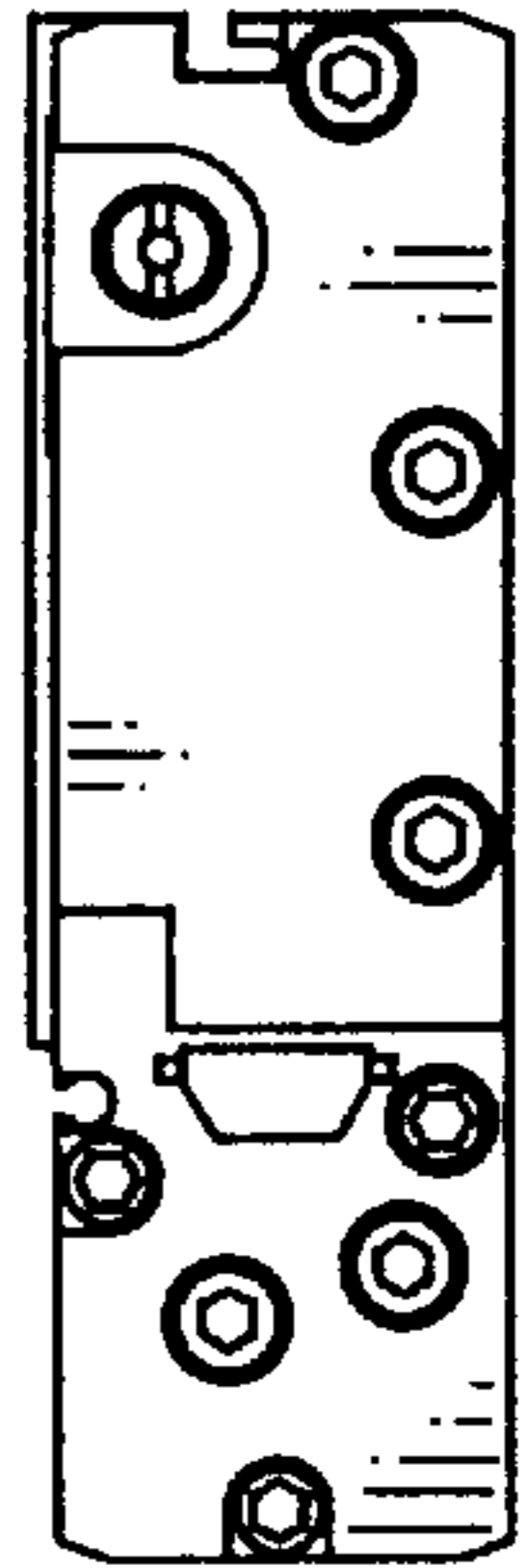


FIG. 5



FIG. 6

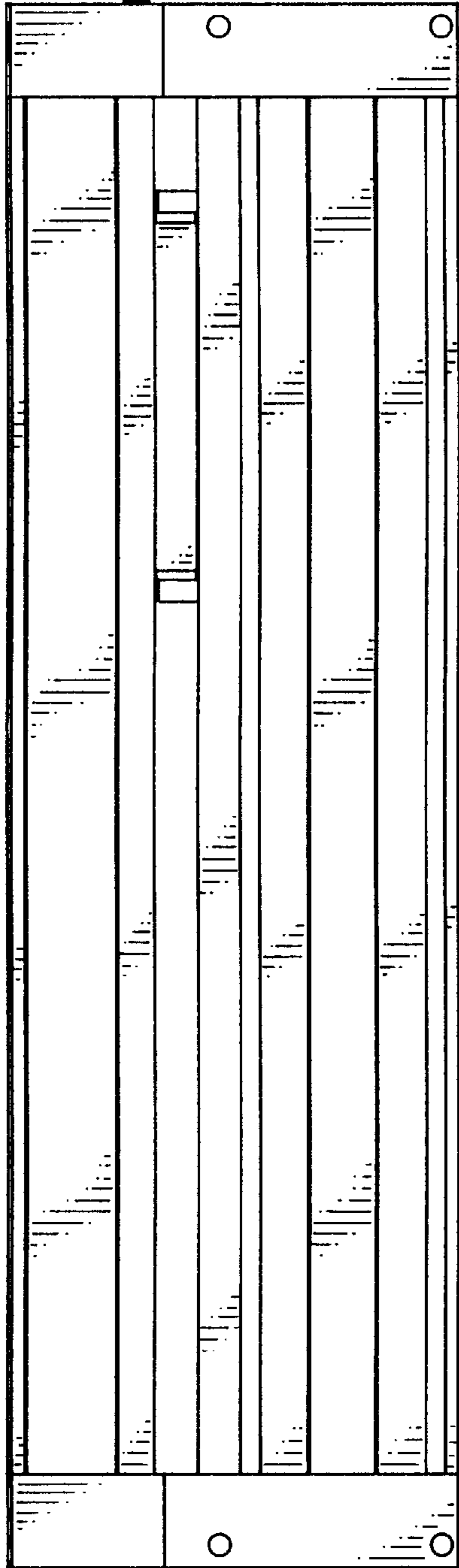


FIG. 7

