



US00D430176S

# United States Patent [19]

[11] **Patent Number: Des. 430,176**

**Tuttle**

[45] **Date of Patent: \*\* Aug. 29, 2000**

[54] **FENCE FOR SAW**

4,281,570	8/1981	Hill .....	83/430
4,320,678	3/1982	Volk .....	83/438
4,593,590	6/1986	Gray .....	83/438
5,038,650	8/1991	Hodge .....	83/438

[75] Inventor: **Harvey William Tuttle**, Guelph, Canada

[73] Assignee: **3539954 Canada Inc.**, Guelph, Canada

*Primary Examiner*—Antonine Duval Davis  
*Attorney, Agent, or Firm*—Daryl W. Schnurr

[\*\*] Term: **14 Years**

[21] Appl. No.: **29/102,890**

[57] **CLAIM**

[22] Filed: **Apr. 1, 1999**

The ornamental design for a fence for saw, as shown and described.

[51] **LOC (7) Cl.** ..... **15-09**

[52] **U.S. Cl.** ..... **D15/133**

**DESCRIPTION**

[58] **Field of Search** ..... D15/133, 141;  
83/471, 438, 444, 477.2, 458.7; 144/253 R;  
249/303-307, 315-320

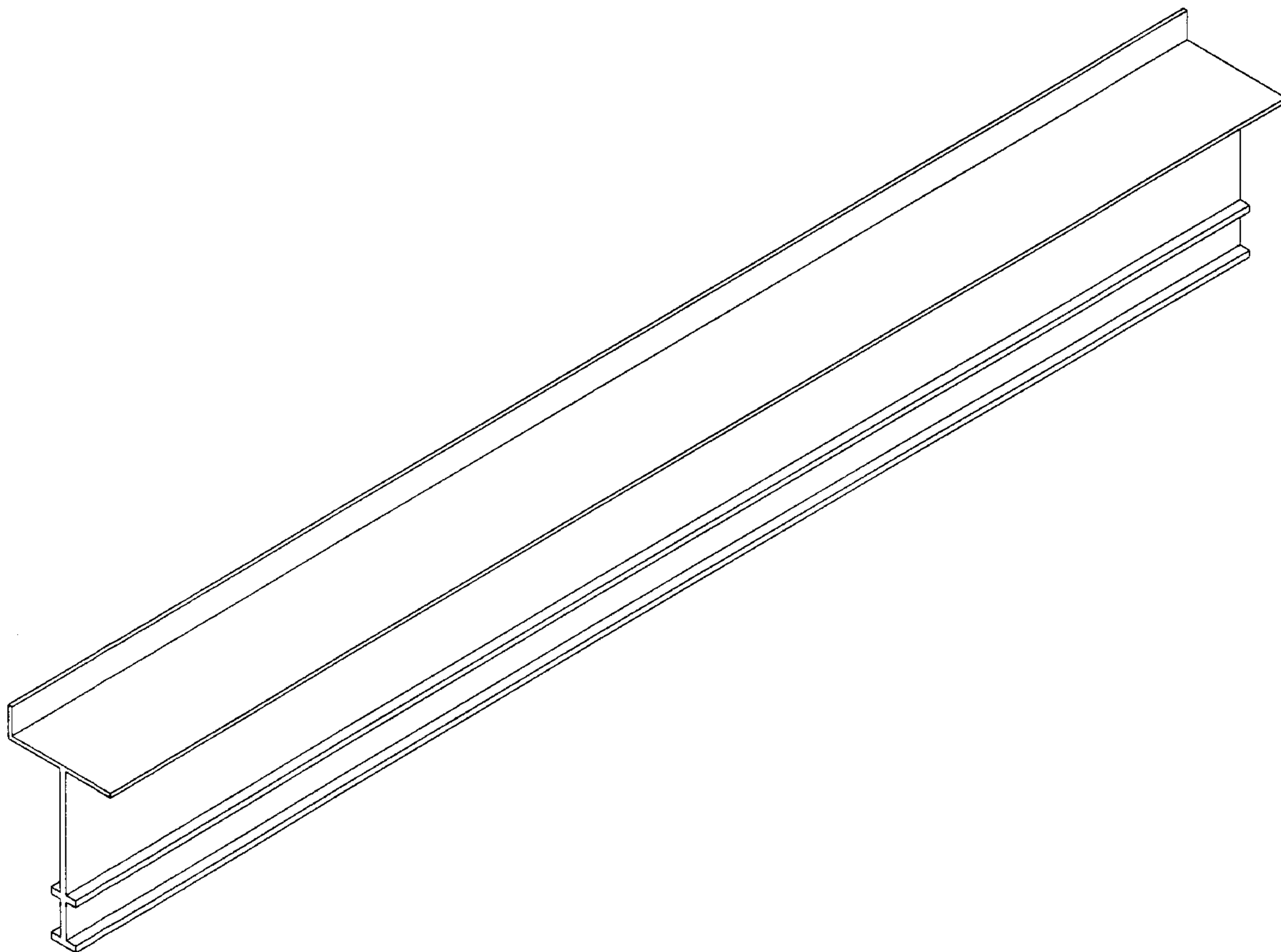
FIG. 1 is a perspective view of a fence from a front;  
FIG. 2 is a perspective view of a fence from a rear; and,  
FIG. 3 is an end view of the fence of FIGS. 1 and 2.

[56] **References Cited**

**U.S. PATENT DOCUMENTS**

**1 Claim, 2 Drawing Sheets**

D. 301,889 6/1989 Price ..... D15/133



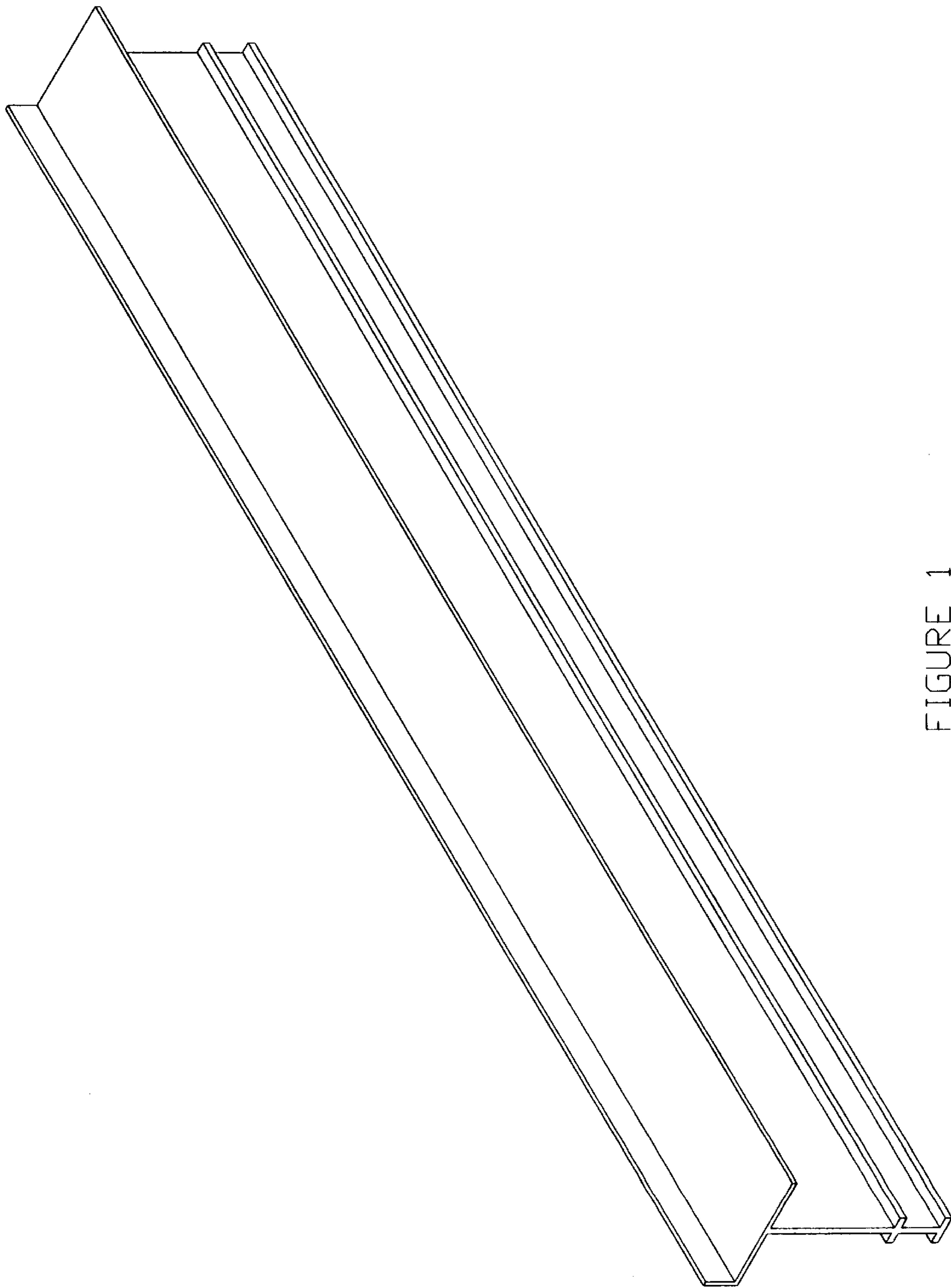


FIGURE 1

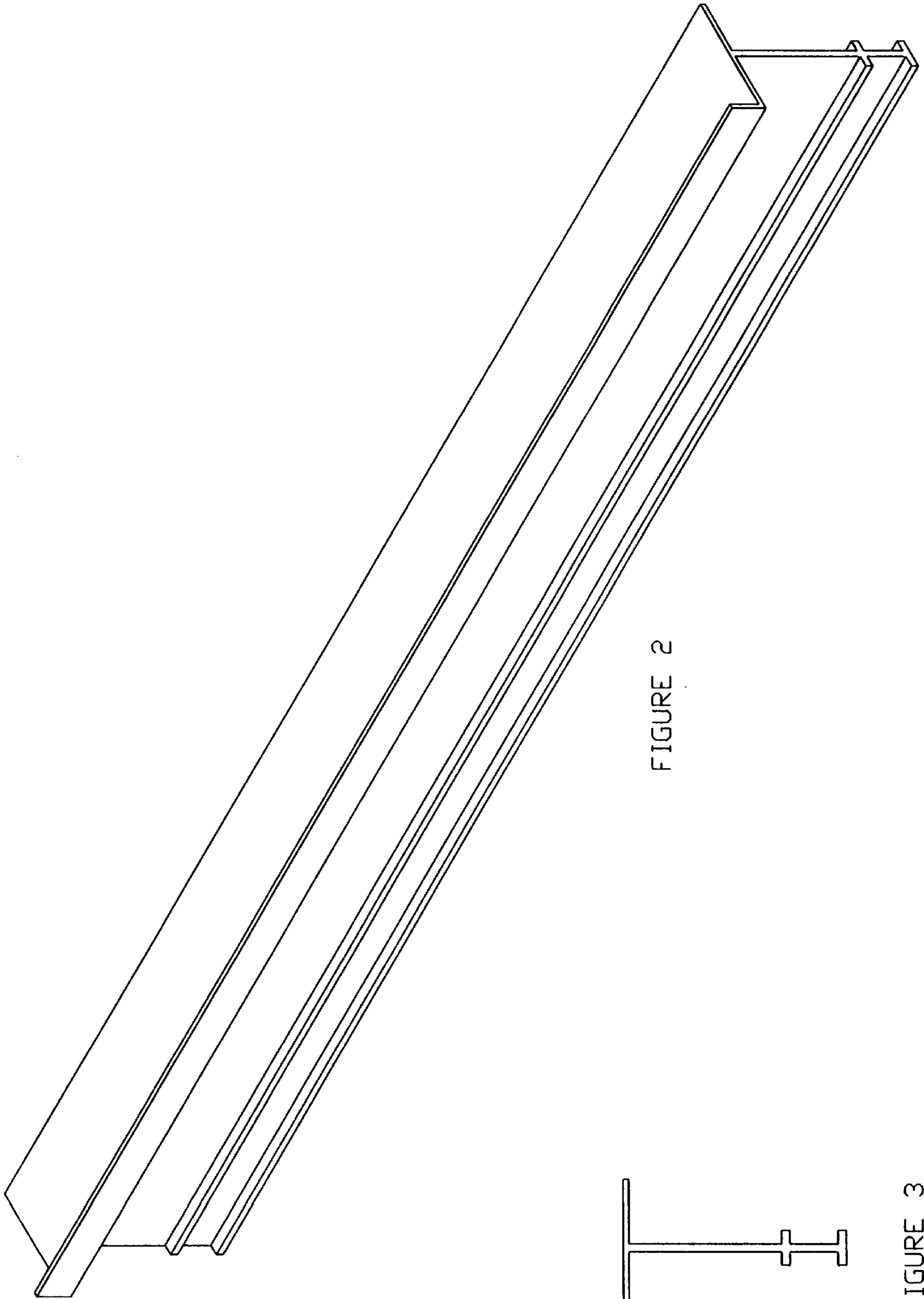


FIGURE 2

FIGURE 3