



US00D430175S

United States Patent [19]
Hayakawa et al.

[11] **Patent Number: Des. 430,175**

[45] **Date of Patent: ** Aug. 29, 2000**

[54] **PLANER**

D. 411,548 6/1999 Welsh D15/124

[75] Inventors: **Naohiro Hayakawa; Masahiko Inai,**
both of Anjo, Japan

FOREIGN PATENT DOCUMENTS

678267 2/1986 Japan .

866057 1/1993 Japan .

[73] Assignee: **Makita Corporation,** Anjo, Japan

[**] Term: **14 Years**

Primary Examiner—Antoine Duval Davis
Attorney, Agent, or Firm—Dennison, Scheiner, Schultz & Wakeman

[21] Appl. No.: **29/113,447**

[22] Filed: **Nov. 5, 1999**

[57] **CLAIM**

The ornamental design for a planer, as shown and described.

[30] **Foreign Application Priority Data**

May 6, 1999 [JP] Japan 11-12046

DESCRIPTION

[51] **LOC (7) Cl.** **15-09**

[52] **U.S. Cl.** **D15/124**

[58] **Field of Search** D15/124; 144/177.1,
144/177.2, 177.3, 177.4, 131; 451/296-301,
456

FIG. 1 is a perspective view of a planer showing our new design.

FIG. 2 is a front elevation view thereof;

FIG. 3 is a rear elevation view thereof;

FIG. 4 is a left side elevation view thereof;

FIG. 5 is a right side elevation view thereof;

FIG. 6 is a top plan view thereof; and,

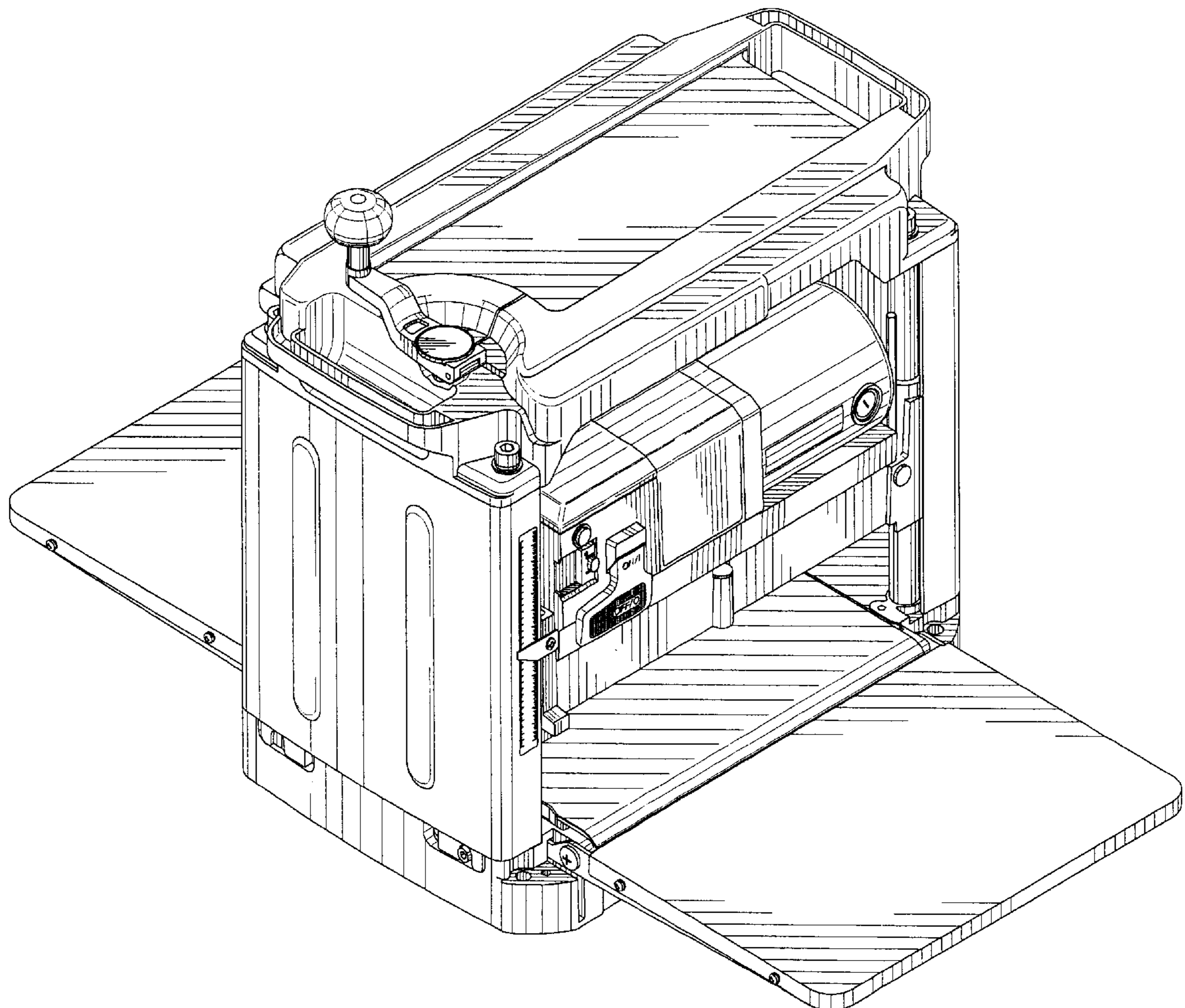
FIG. 7 is a bottom view thereof.

[56] **References Cited**

U.S. PATENT DOCUMENTS

D. 394,070 5/1998 Garcia et al. D15/124

1 Claim, 7 Drawing Sheets



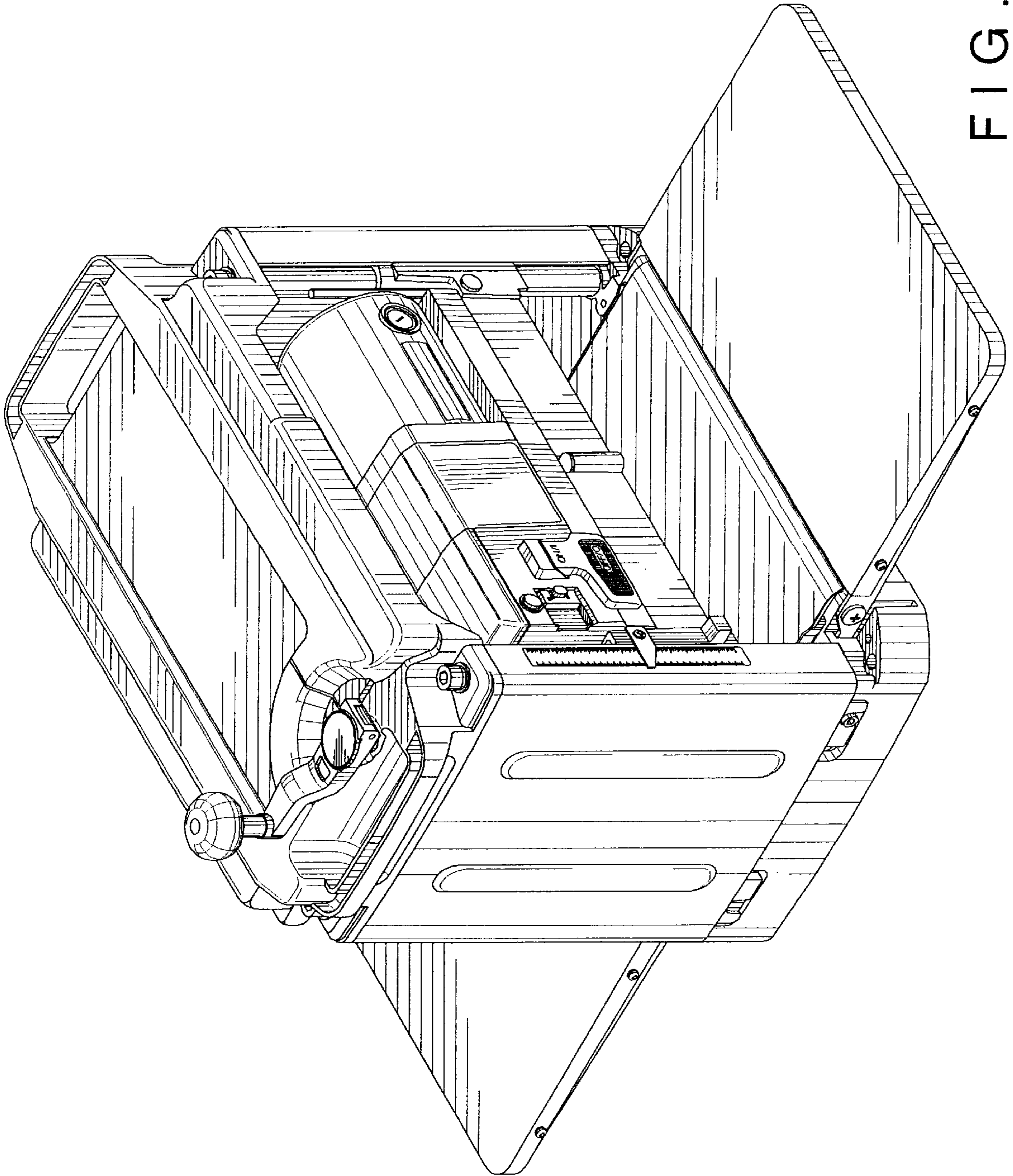


FIG. 1

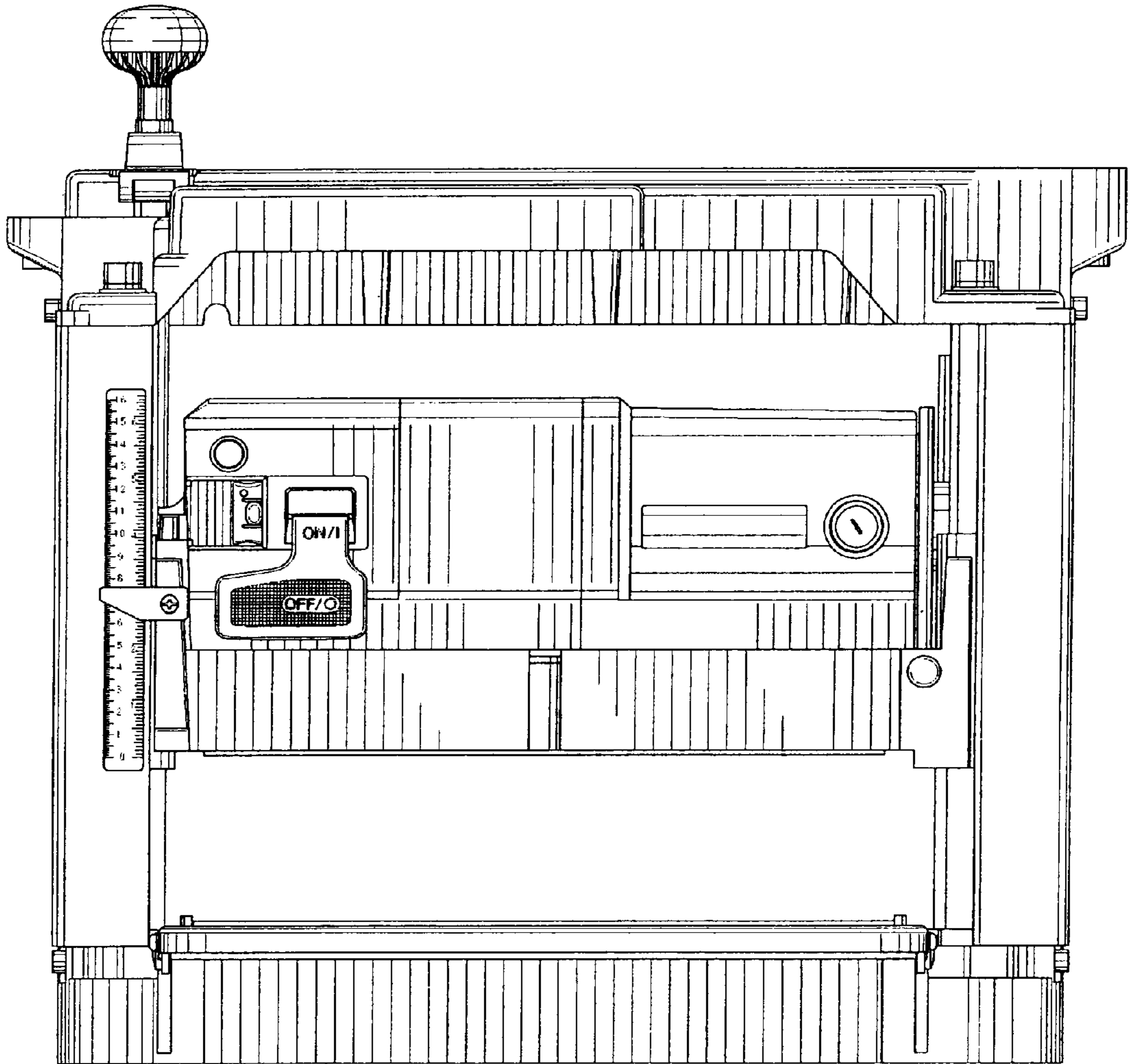


FIG. 2

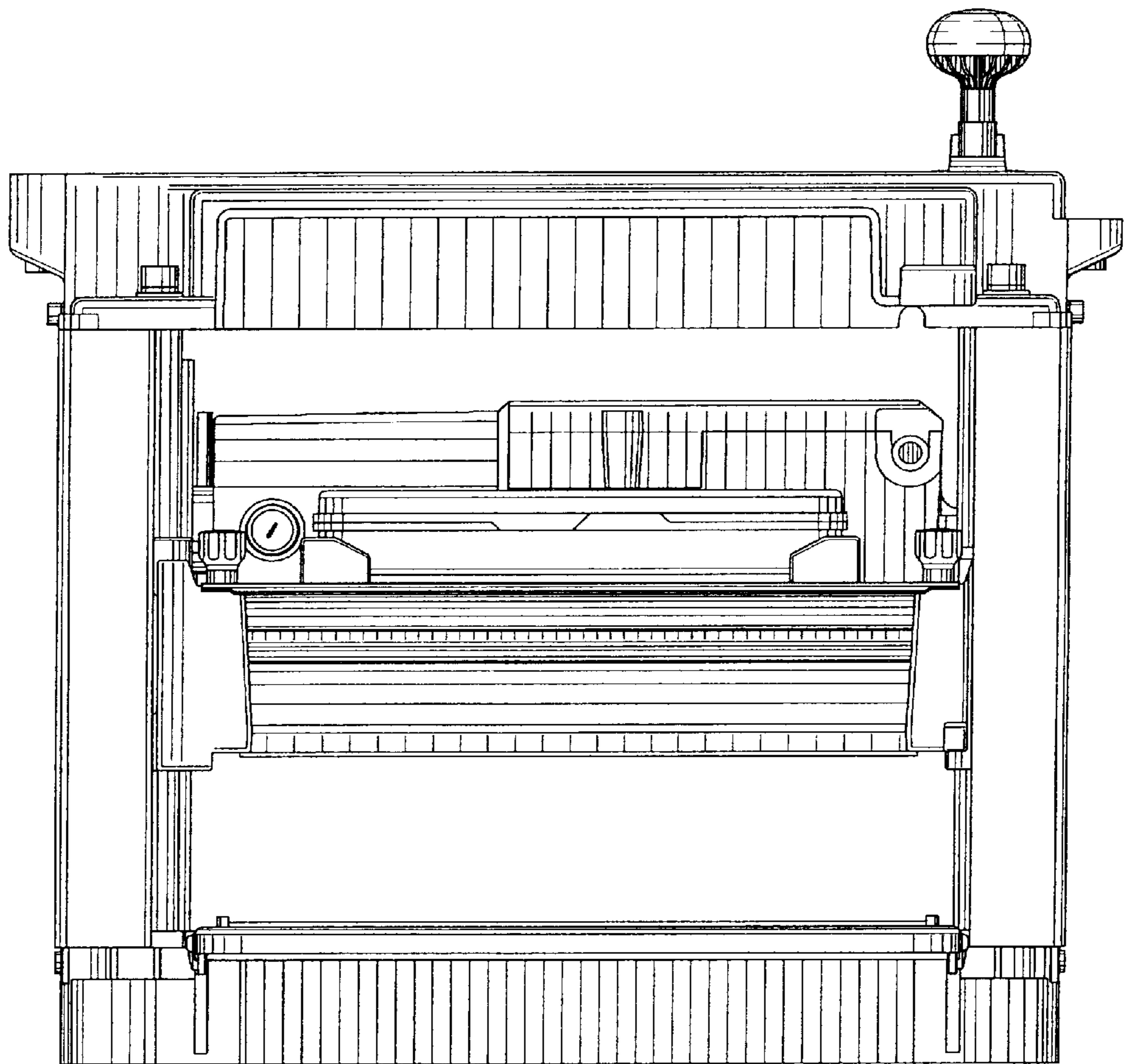


FIG. 3

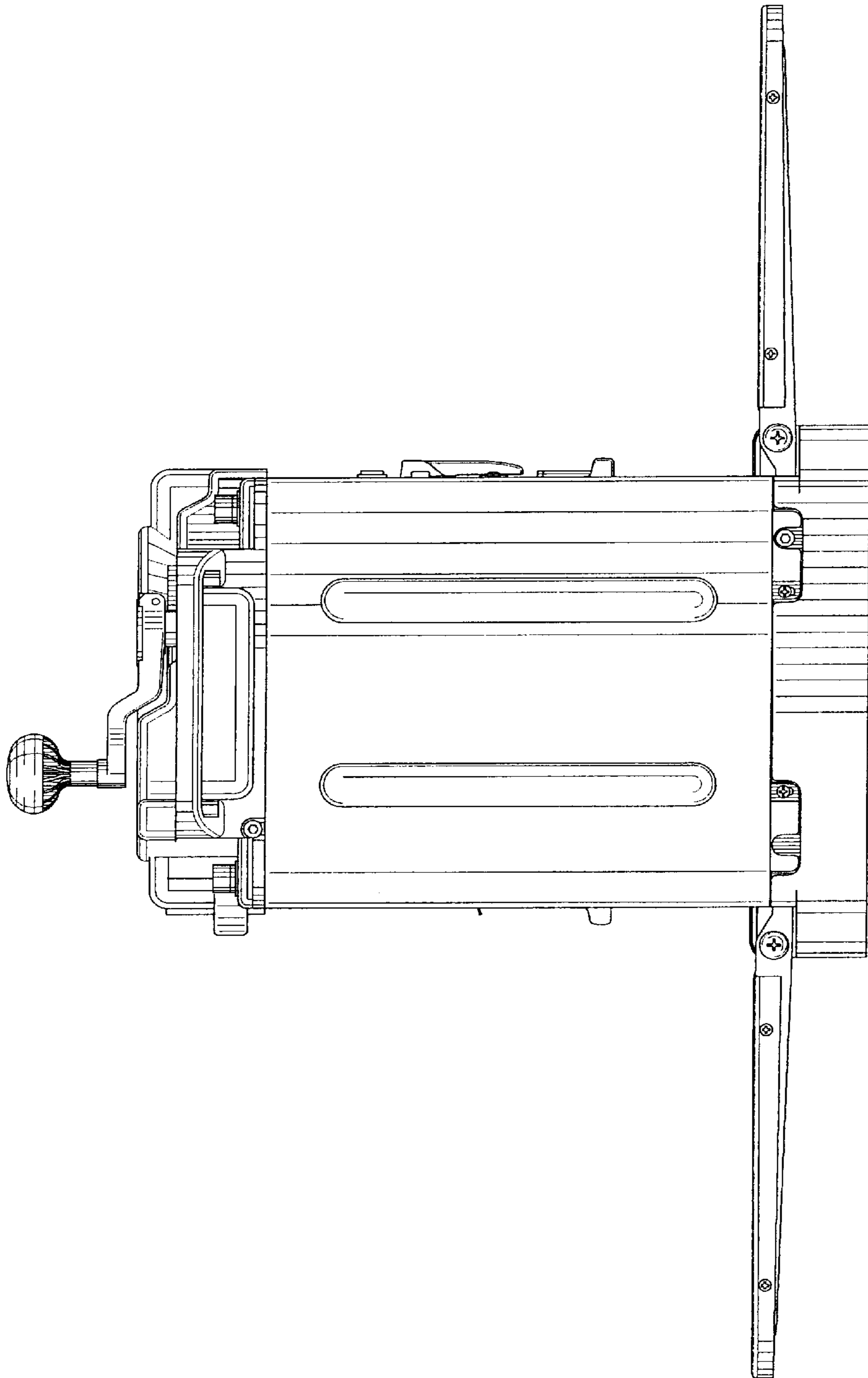


FIG. 4

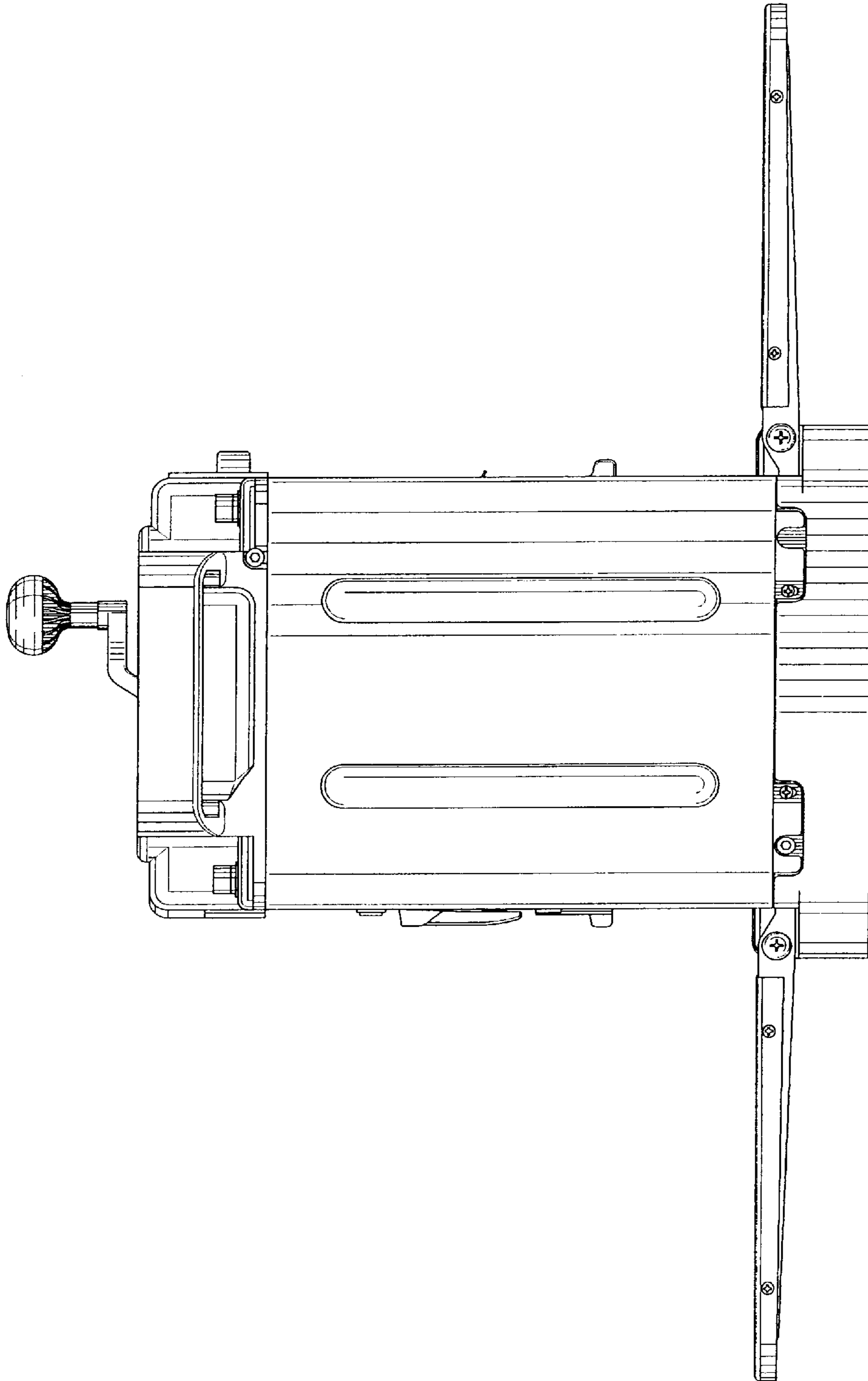


FIG. 5

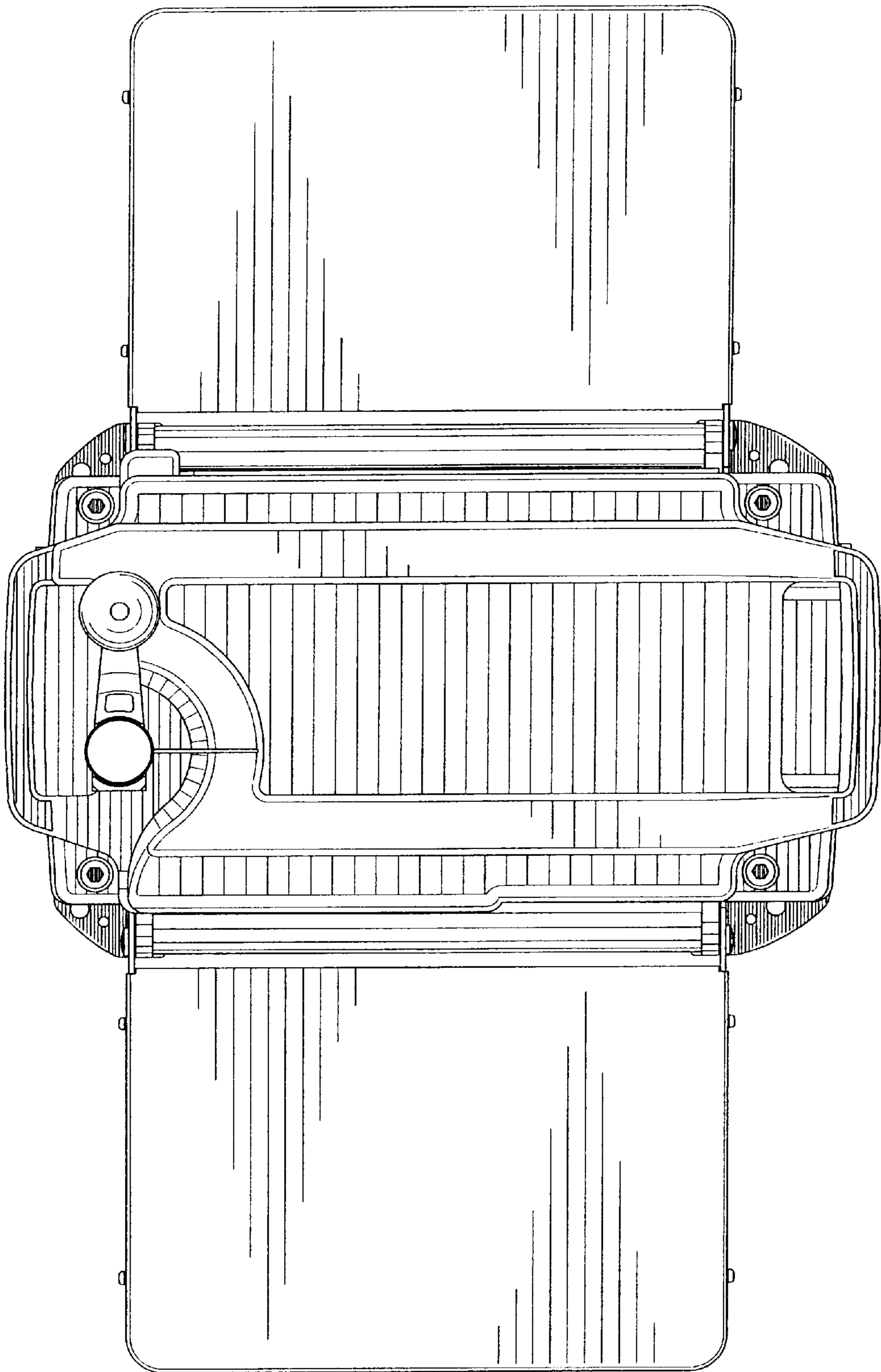


FIG. 6

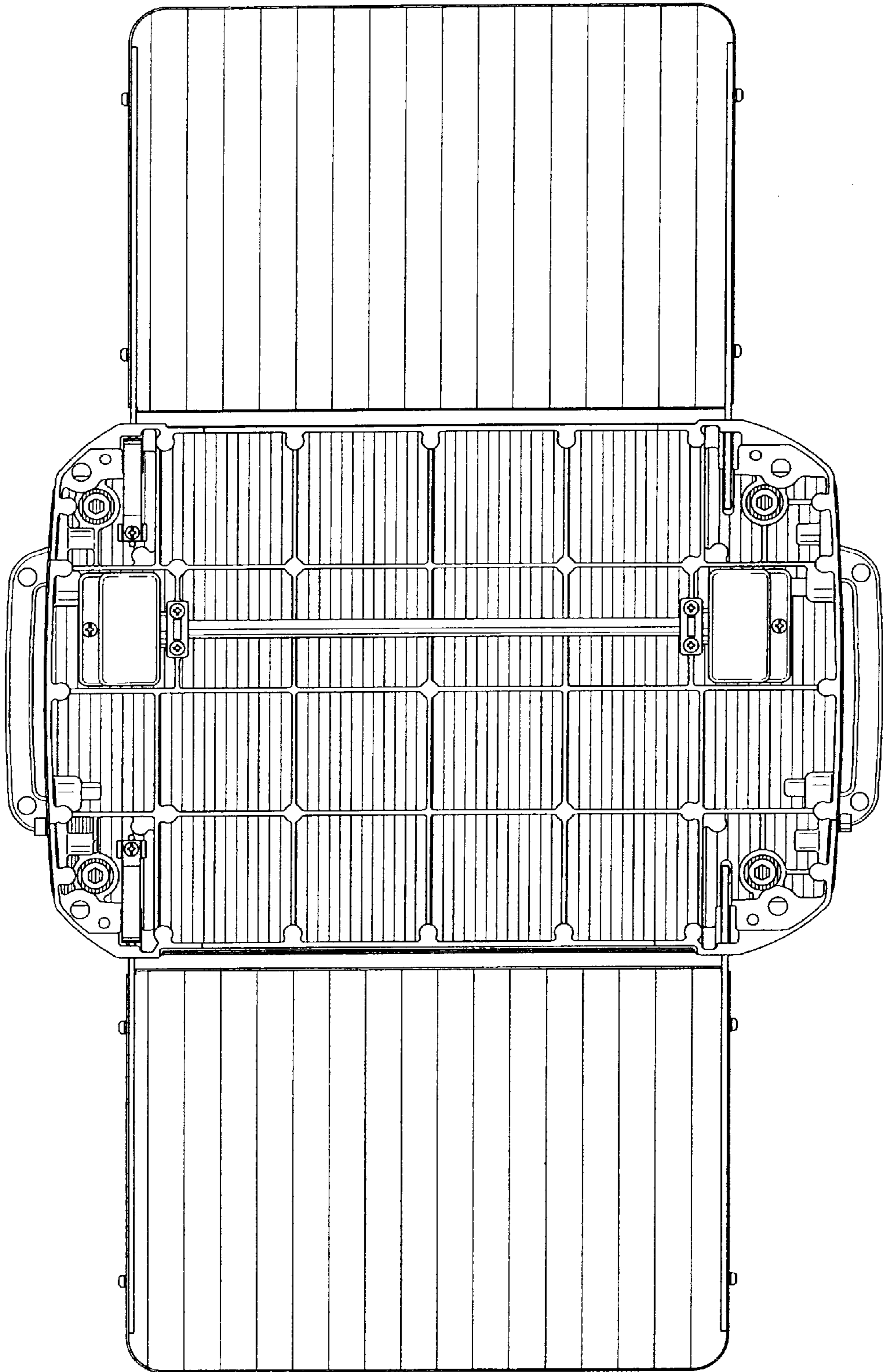


FIG. 7