



US00D430174S

United States Patent [19]

[11] **Patent Number: Des. 430,174**

Negrao et al.

[45] **Date of Patent: ** Aug. 29, 2000**

[54] **END ASSEMBLY FOR DOORS OF REFRIGERATORS, REFRIGERATOR FREEZERS AND FREEZERS**

D. 281,883 12/1985 Carter et al. D15/91
D. 402,529 12/1998 Husted D8/313

[75] Inventors: **Rogério Ferreira Negrao; Rodolfo Floeter Junior**, both of Joinville-SC, Brazil

Primary Examiner—Sandra L. Morris
Attorney, Agent, or Firm—Darby & Darby

[73] Assignee: **Multibras S/A Electrodomesticos**, Sao Paulo-SP, Brazil

[57] **CLAIM**

The ornamental design for an end assembly for doors of refrigerators, refrigerator freezers and freezers, as shown and described.

[**] Term: **14 Years**

DESCRIPTION

[21] Appl. No.: **29/092,826**

FIG. 1 is a perspective view of an end assembly for doors of refrigerators, refrigerator freezers and freezers;

[22] Filed: **Aug. 27, 1998**

FIG. 2 is a front view of the end assembly of FIG. 1;

[30] **Foreign Application Priority Data**

Feb. 27, 1998 [BR] Brazil DI 5800295

FIG. 3 is a bottom view of the upper end thereof;

[51] **LOC (7) Cl.** **15-07**

FIG. 4 is a top view of the lower end thereof; and,

[52] **U.S. Cl.** **D15/89; D15/91**

FIG. 5 represents a similar view to that of FIG. 2, however, illustrating the end assembly for doors of refrigerators, refrigerator freezers and freezers shown applied to a 1-door refrigerator or freezer.

[58] **Field of Search** D8/313, 314; D15/79, D15/81-91; 62/293, 339, 373, 440, 441, 457; 312/116, 138.1, 139.1, 139.2, 236, 348.6, 401, 405

The broken line showing of the doors for refrigerators, refrigerator freezers or freezers in FIGS. 1, 2, and 5 are for illustrative purposes only, and form no part of the claimed design. The portions of the end assembly not shown do not form part of the claimed design.

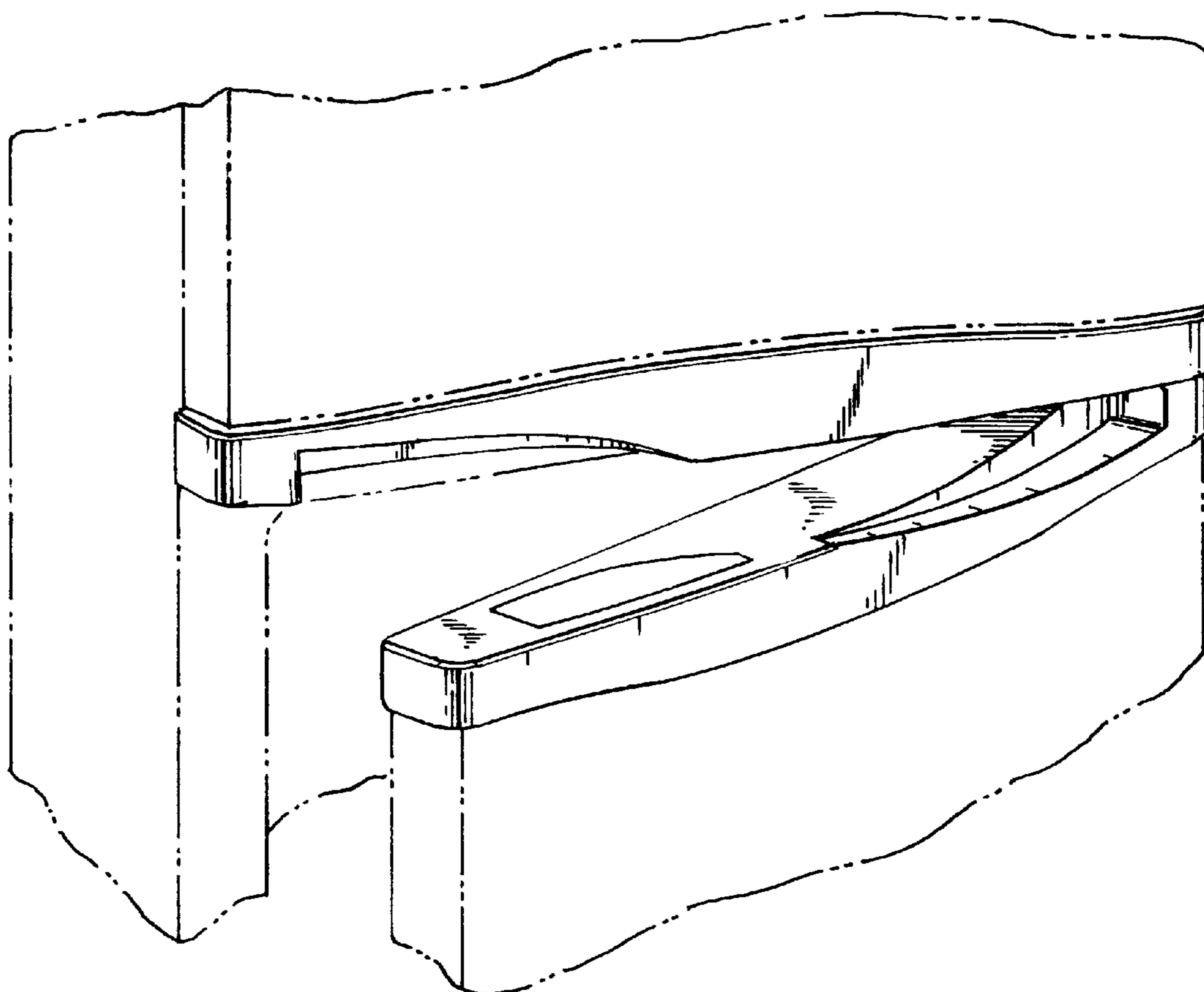
[56] **References Cited**

FIGS. 2-5 are shown on an enlarged scale.

U.S. PATENT DOCUMENTS

D. 182,558 4/1958 Willman D8/313

1 Claim, 2 Drawing Sheets



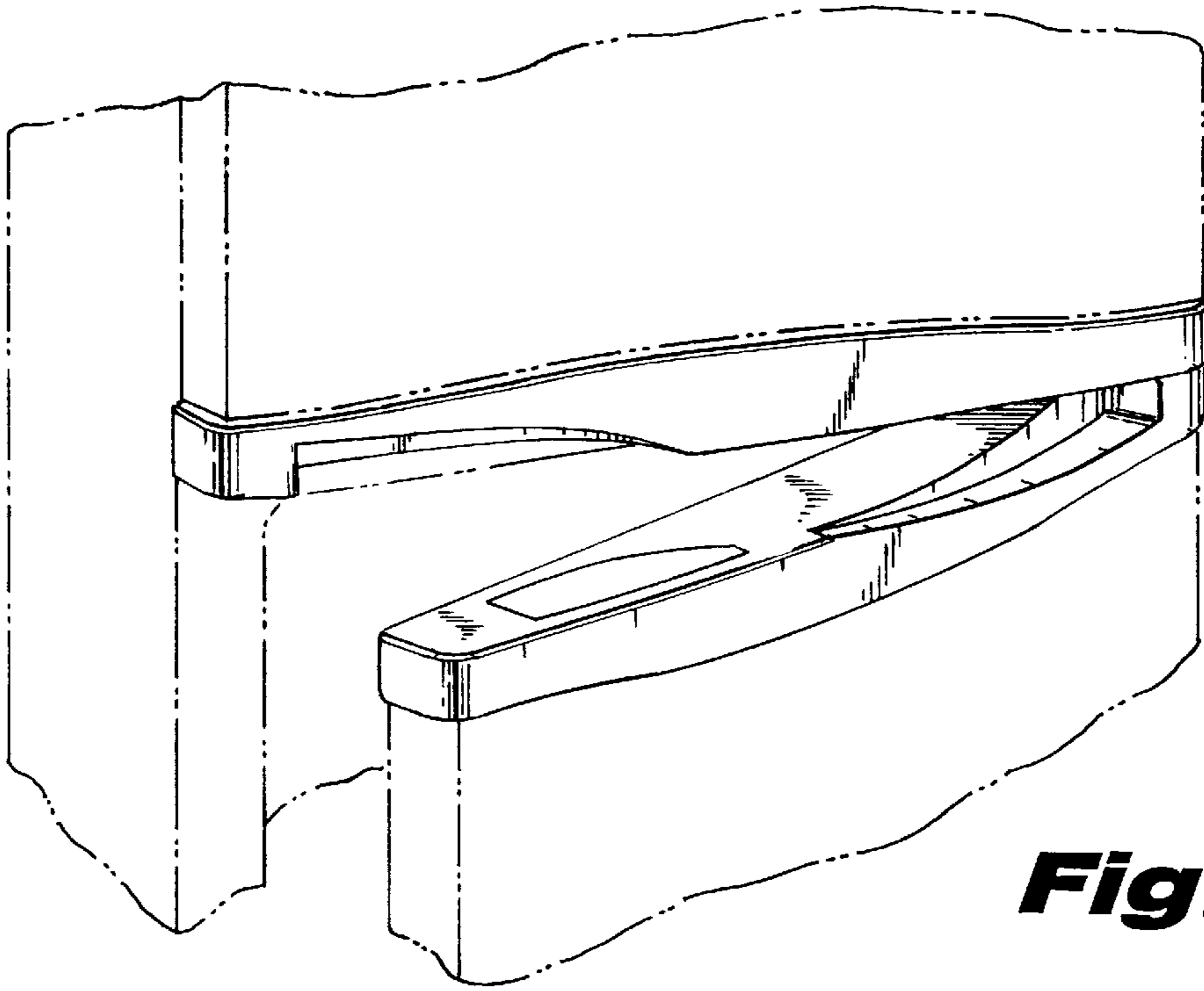


Fig. 1

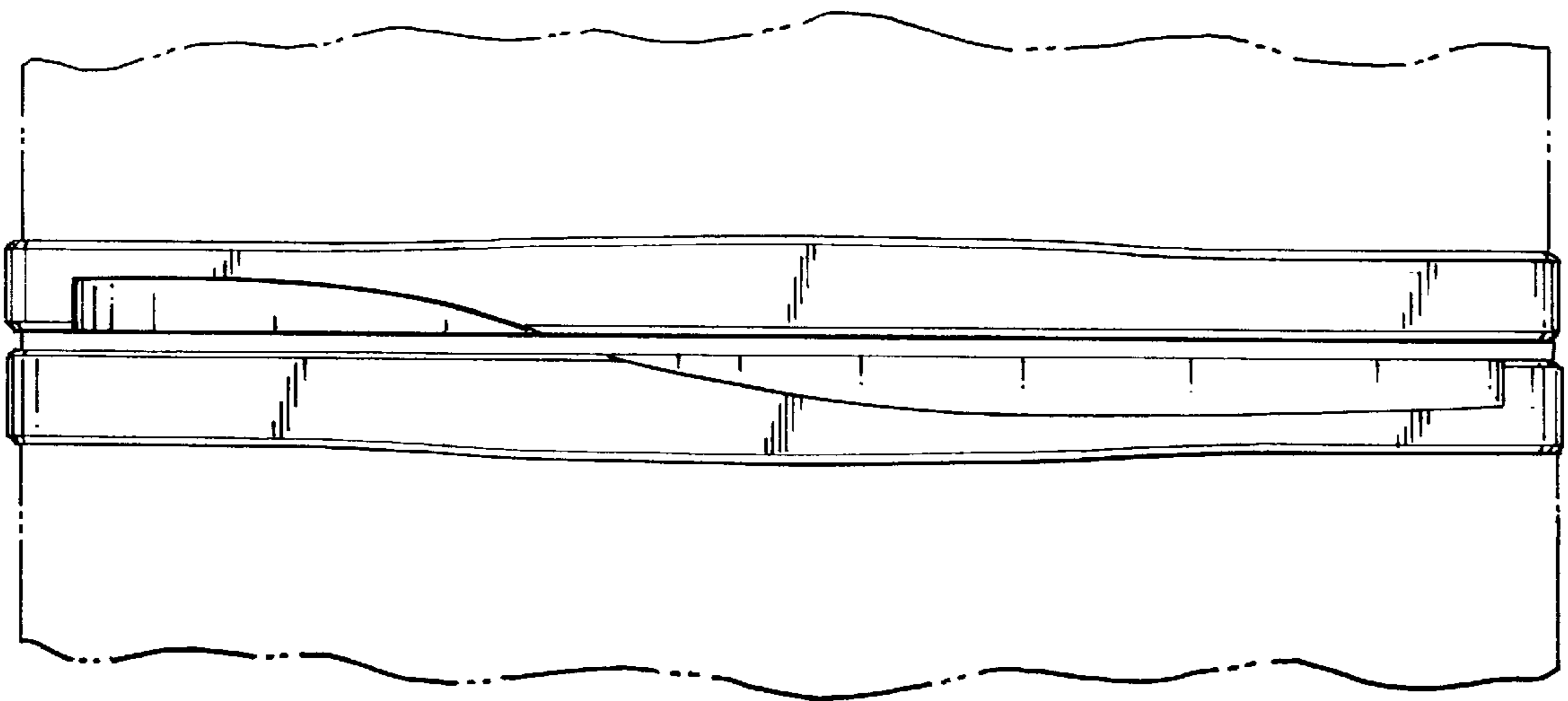


Fig. 2

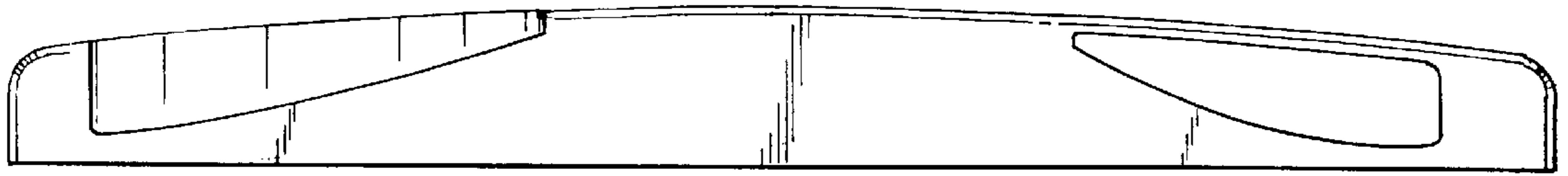


Fig. 3

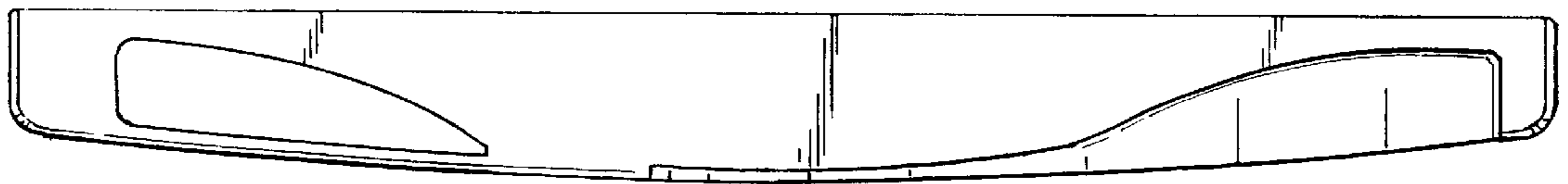


Fig. 4

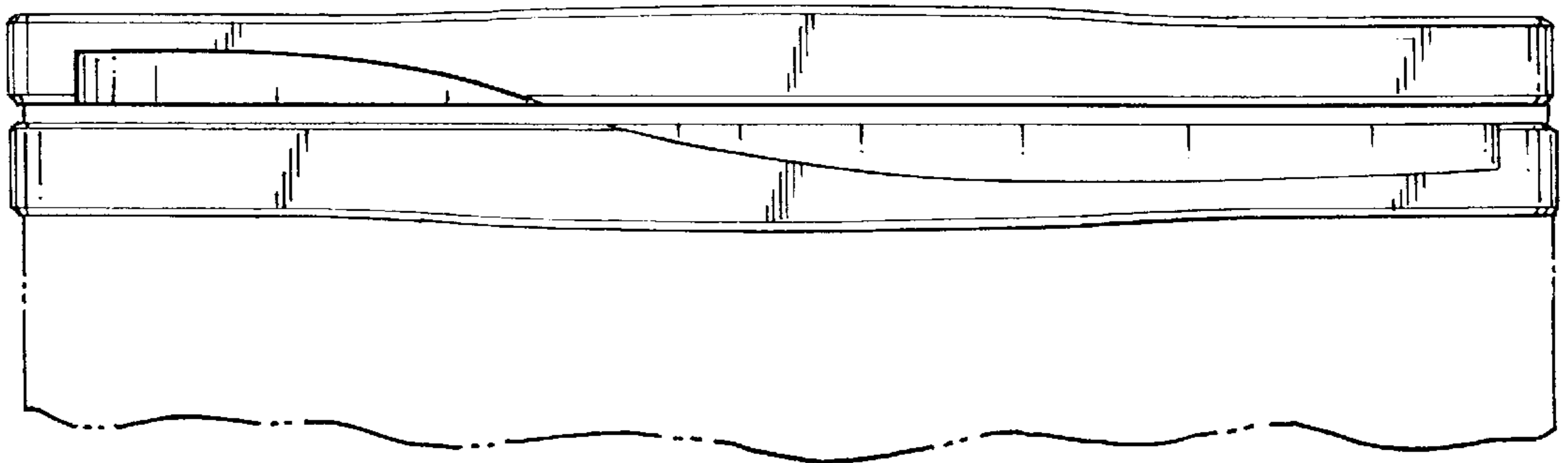


Fig. 5

UNITED STATES PATENT AND TRADEMARK OFFICE
CERTIFICATE OF CORRECTION

PATENT NO. : Des. 430,174
DATED : August 29, 2000
INVENTOR(S) : Rogerio Ferriera NEGRAO, et al.

It is certified that error appears in the above-identified patent and that said Letters Patent is hereby corrected as shown below:

Foremost page, [73] Assignee: correct to read:

-- Multibras S/A Eletrodomesticos --

Signed and Sealed this
Seventeenth Day of April, 2001

Attest:



NICHOLAS P. GODICI

Attesting Officer

Acting Director of the United States Patent and Trademark Office