

US00D430173S

**United States Patent** [19]  
**Tombs**

[11] **Patent Number: Des. 430,173**

[45] **Date of Patent: \*\* Aug. 29, 2000**

[54] **HORIZONTAL COOLER**

[75] Inventor: **Edward A. Tombs**, Coral Springs, Fla.

[73] Assignee: **Thomas Plastics Inc.**

[\*\*] Term: **14 Years**

[21] Appl. No.: **29/109,454**

[22] Filed: **Aug. 14, 1999**

[51] **LOC (7) Cl. .... 15-07**

[52] **U.S. Cl. .... D15/85; D6/472**

[58] **Field of Search** ..... D15/79-91; D6/470-472,  
D6/473, 441, 432, 448; 312/116, 138.1,  
236, 238; 62/246, 251, 248, 449, 440, 441

[56] **References Cited**

**U.S. PATENT DOCUMENTS**

- D. 281,844 12/1985 Waldeck ..... D6/472
- D. 339,934 10/1993 Reuter ..... D6/441
- D. 365,828 1/1996 Lacewell et al. .... D15/87

- 1,744,070 1/1930 Deacon .
- 2,227,854 1/1941 Walters .
- 2,503,419 4/1950 Secunde .

*Primary Examiner*—B. J. Bullock  
*Attorney, Agent, or Firm*—Richard S. Ross, Esq

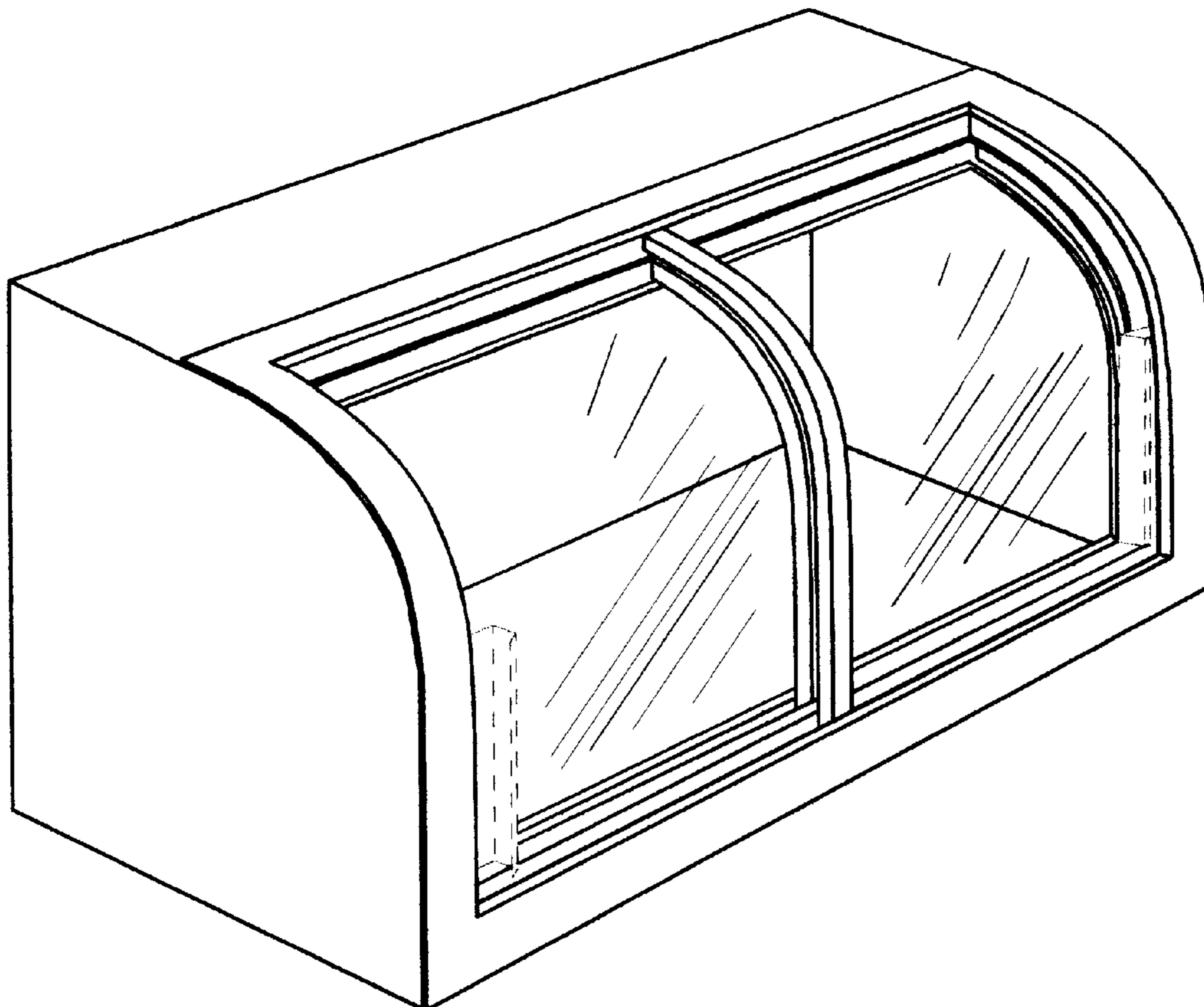
[57] **CLAIM**

The ornamental design for a horizontal cooler, as shown and described.

**DESCRIPTION**

FIG. 1 is a perspective view of the present invention; FIG. 2 is a top view of the present invention; FIG. 3 is a front view of the present invention; FIG. 4 is a back view of the present invention; FIG. 5 is a left side view of the present invention, the right side view being a mirror image thereof; and, FIG. 6 is a bottom view of the present invention. The broken lines are for illustrative purposes only and form no part of the claimed design.

**1 Claim, 3 Drawing Sheets**



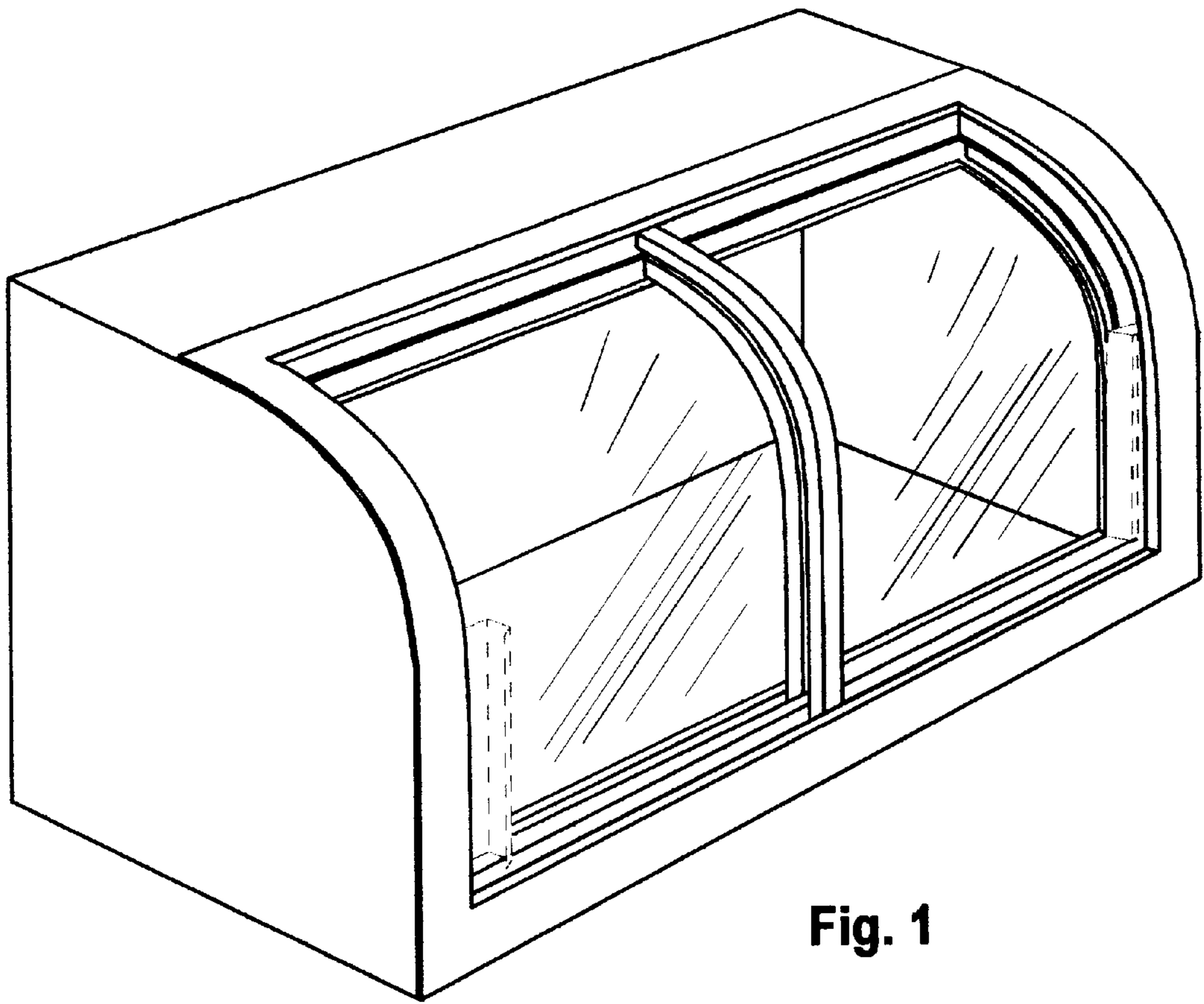


Fig. 1

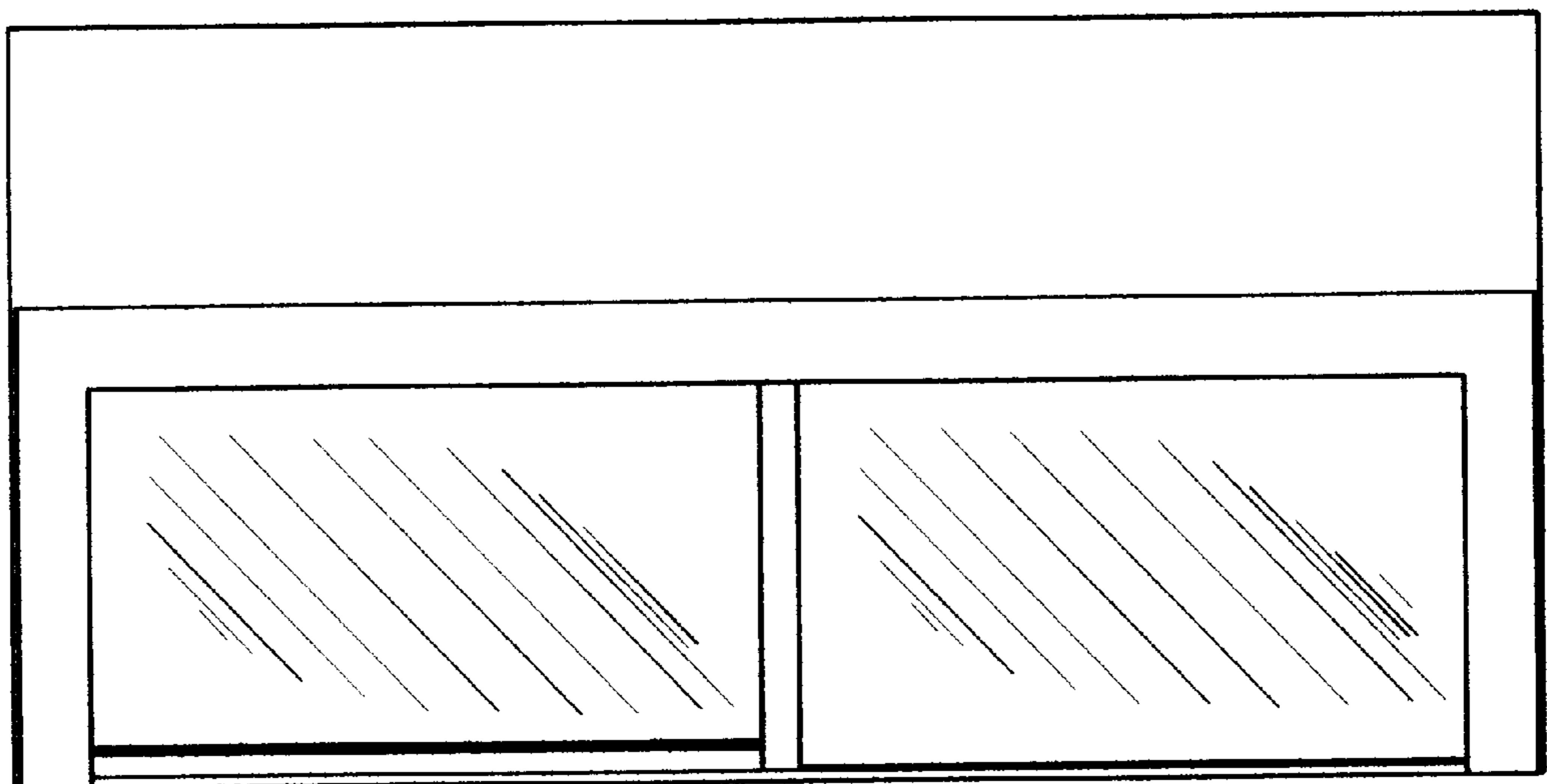


Fig. 2

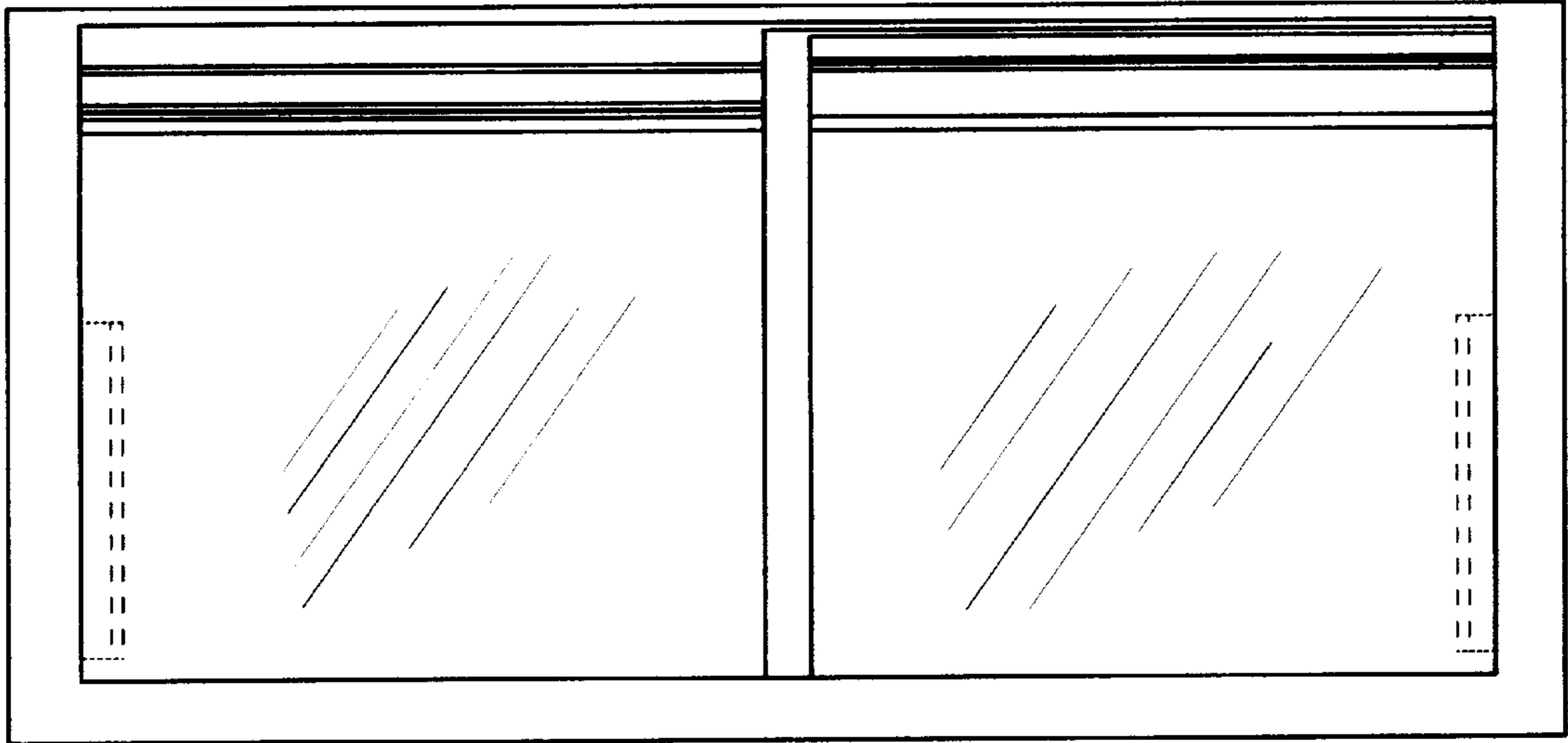


Fig. 3

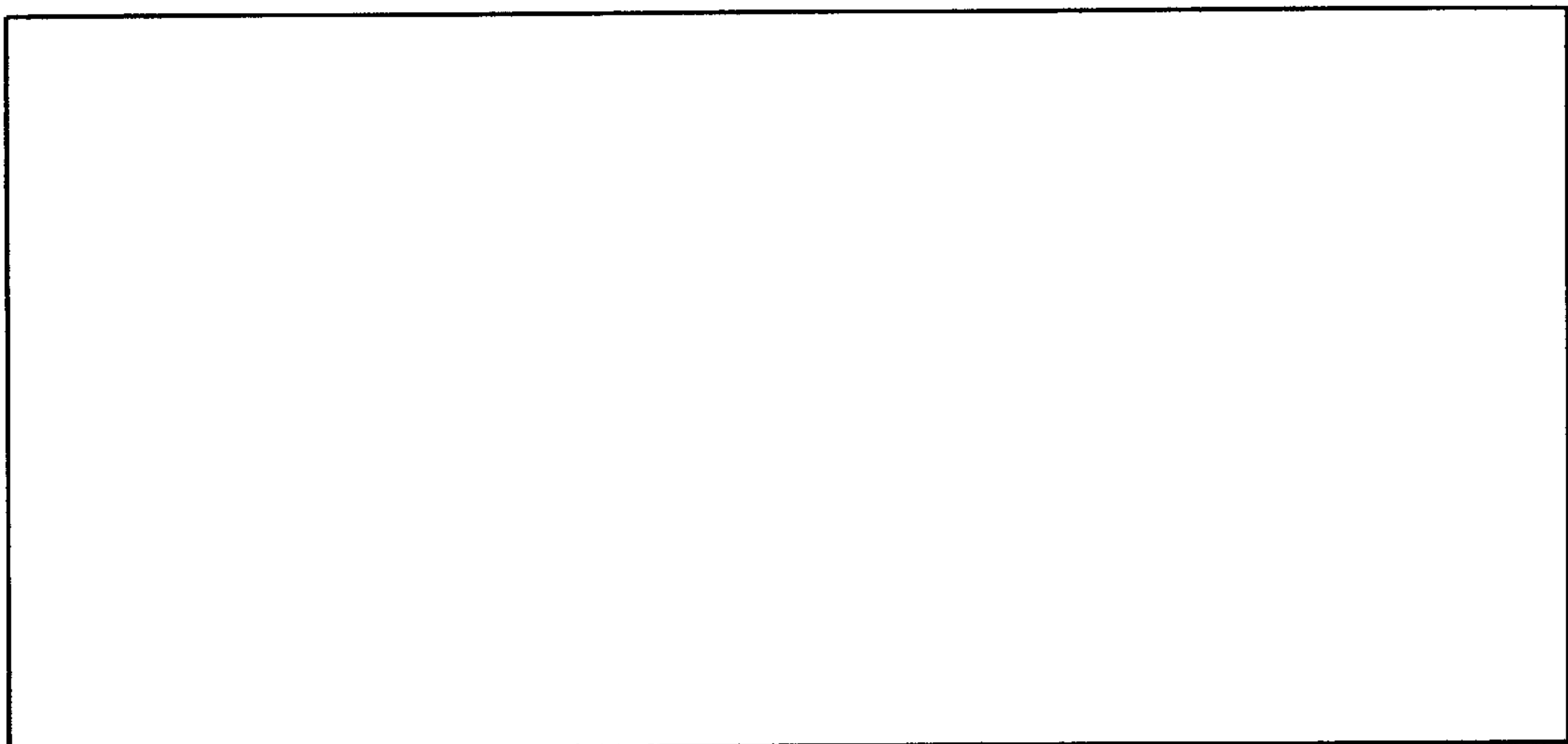
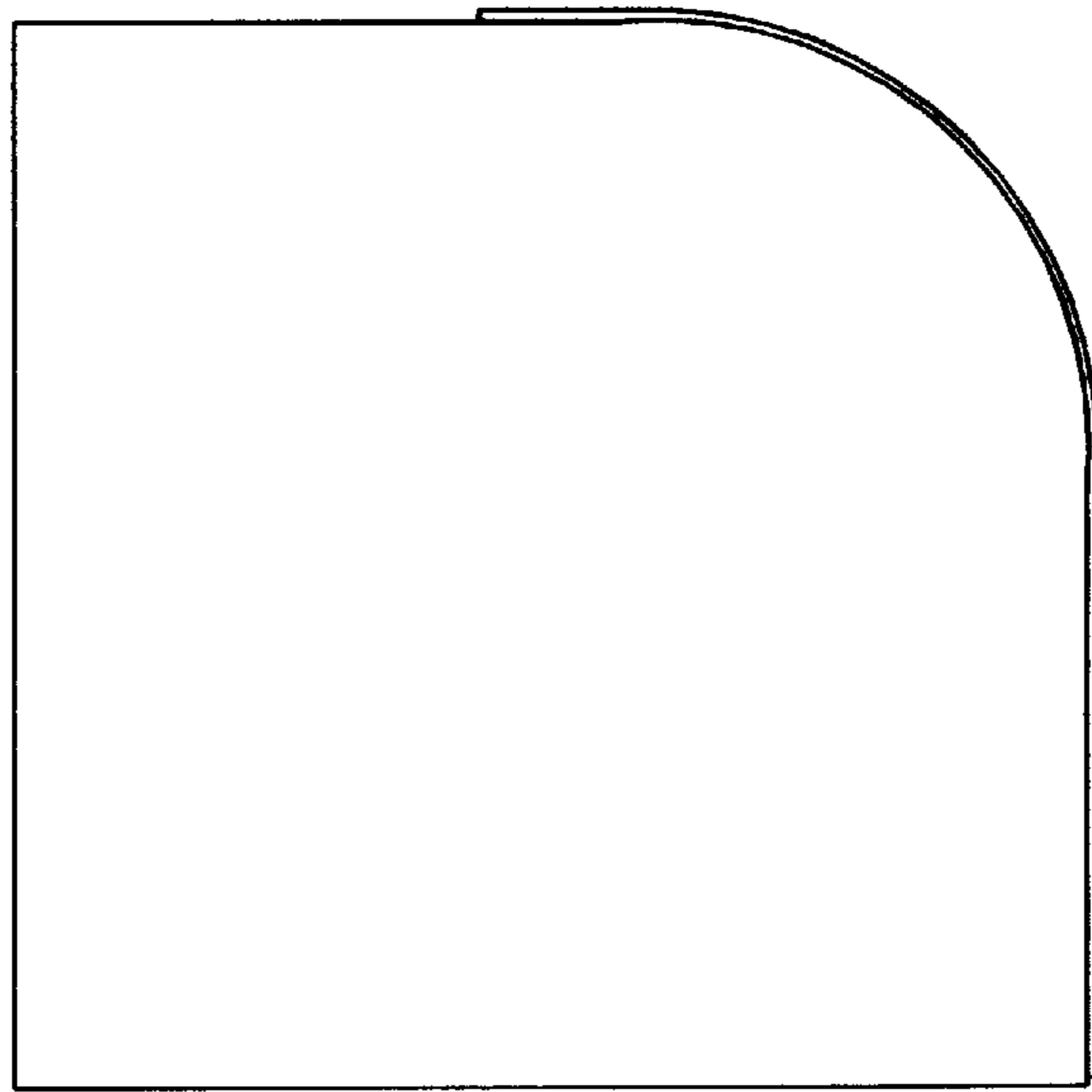
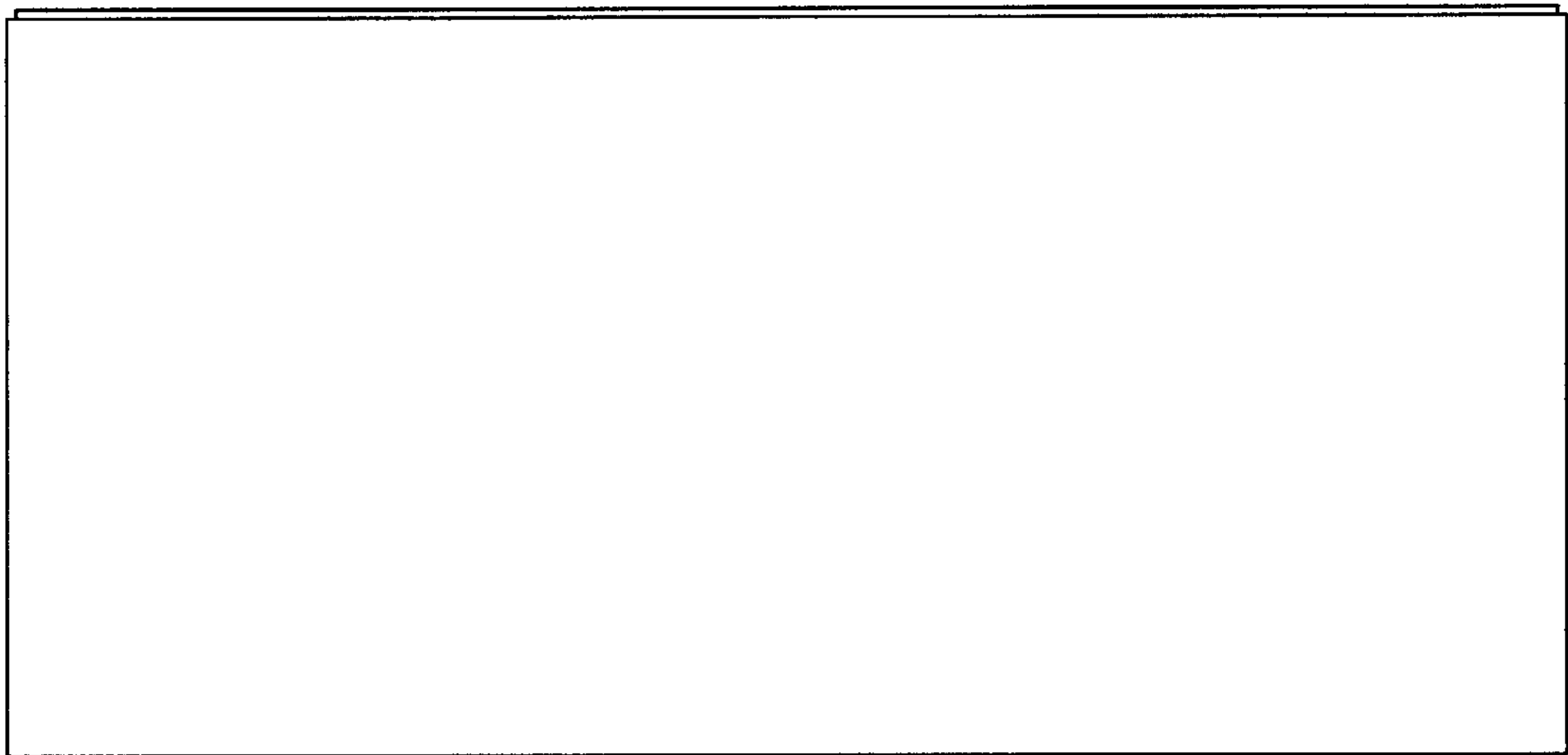


Fig. 6



**Fig. 5**



**Fig. 4**