



US00D430170S

United States Patent [19]

Taylor et al.

[11] Patent Number: **Des. 430,170**

[45] Date of Patent: **** Aug. 29, 2000**

[54] **GASOLINE DISPENSING UNIT**

[75] Inventors: **Ken W. Taylor**, Oak Ridge, N.C.; **Scott R. Negley, III**, Salisbury, Md.; **Dave Eric Embertson**, Austin, Tex.; **Gregg Robert Draudt**, Stow, Mass.

[73] Assignee: **Dresser Equipment Group, Inc.**, Carrollton, Tex.

[**] Term: **14 Years**

[21] Appl. No.: **29/111,268**

[22] Filed: **Sep. 23, 1999**

[51] **LOC (7) Cl.** **15-02**

[52] **U.S. Cl.** **D15/9.1**

[58] **Field of Search** D15/9.1, 9.2; 137/234.6; 222/23, 26, 28, 71, 74, 372; 141/198; 251/129.64, 129.04; D10/96; D99/28; D14/105, 107; 194/206; D25/56

[56] **References Cited**

U.S. PATENT DOCUMENTS

- D. 179,426 12/1956 Rapsarda D15/9.1
- D. 266,673 10/1982 Monigle et al. D15/9.1
- D. 272,627 2/1984 Monigle et al. D15/9.1

- D. 413,124 8/1999 McSpadden et al. D15/9.1
- D. 413,311 8/1999 Blalock D14/105
- D. 413,336 8/1999 Keane et al. D15/9.1
- D. 413,337 8/1999 Keane et al. D15/9.2
- D. 413,610 9/1999 McSpadden et al. D15/9.2
- D. 413,901 9/1999 Keane et al. D15/9.1
- D. 413,902 9/1999 McSpadden et al. D15/9.2
- D. 414,192 9/1999 McSpadden et al. D15/9.1
- 3,570,644 3/1971 Booth 194/206

Primary Examiner—Ralf Seifert

Attorney, Agent, or Firm—Haynes and Boone LLP

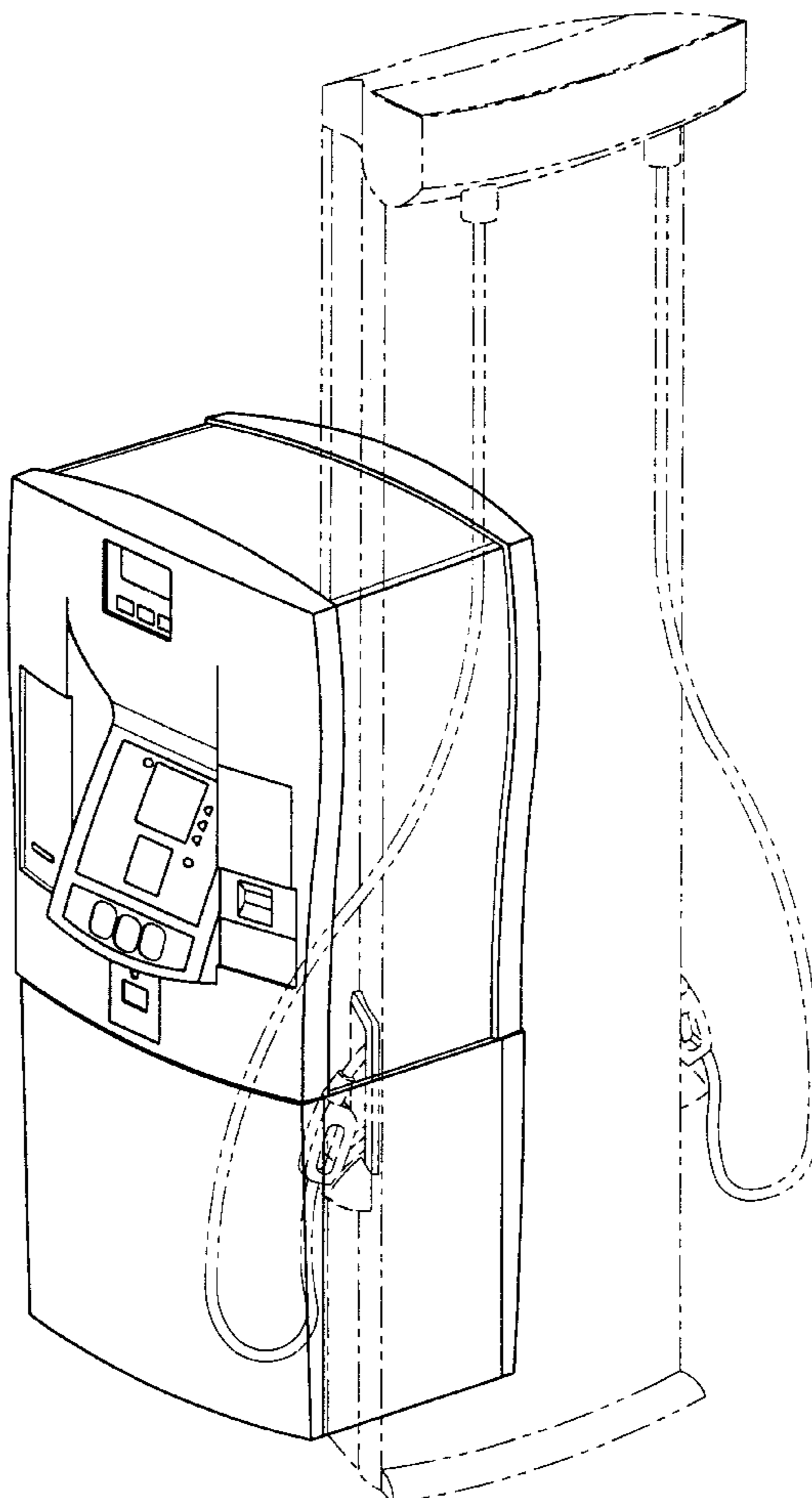
[57] **CLAIM**

The ornamental design for a gasoline dispensing unit, as shown and described.

DESCRIPTION

FIG. 1 is an isometric view of the gasoline dispensing unit showing our new design;
 FIG. 2 is a front elevational view thereof;
 FIG. 3 is a right side elevational view thereof;
 FIG. 4 is a rear elevational view;
 FIG. 5 is a left side elevational view thereof; and,
 FIG. 6 is a top plan view thereof.
 It being understood that the broken lines are for illustrative purposes only.

1 Claim, 6 Drawing Sheets



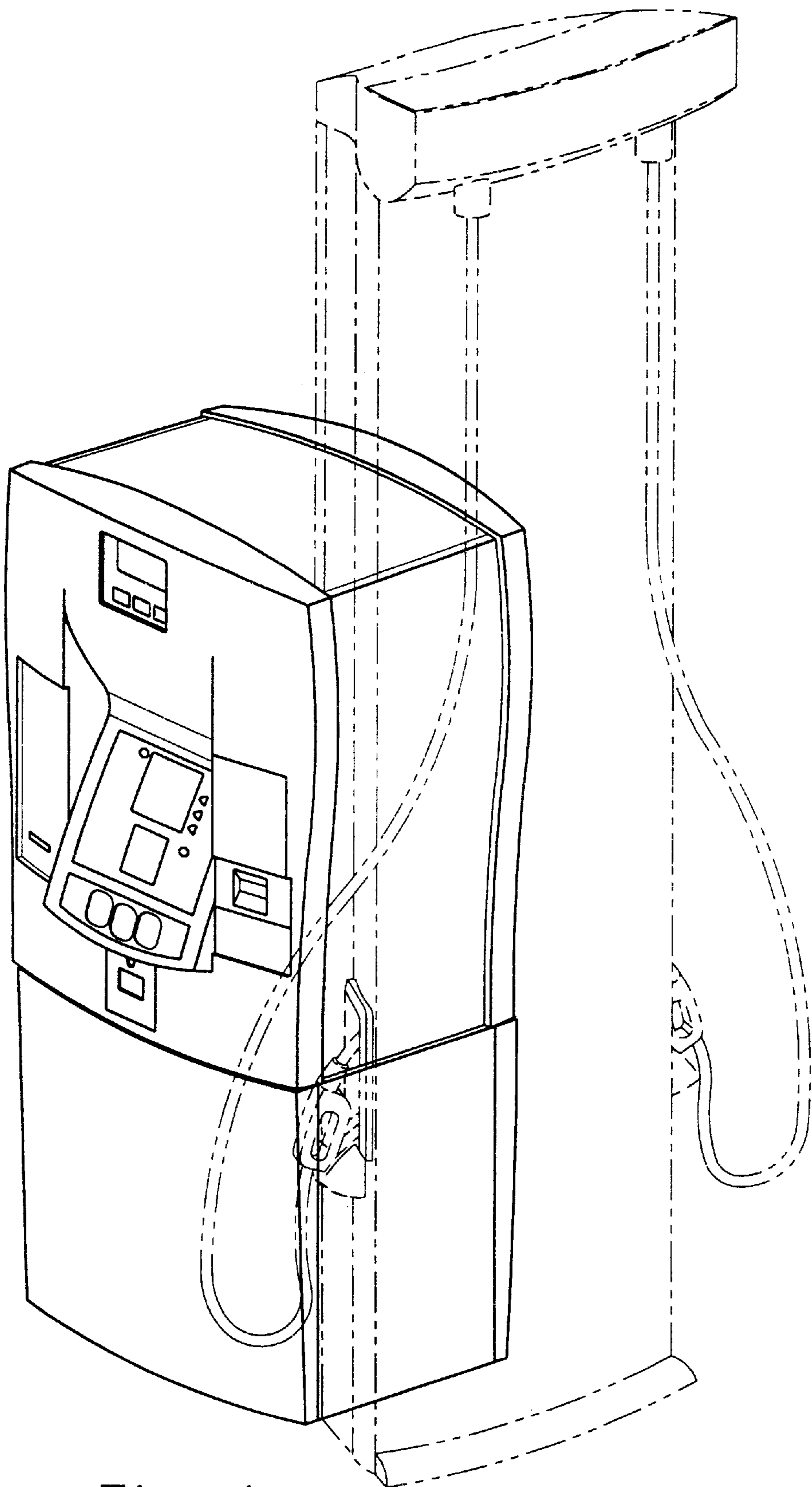


Fig. 1

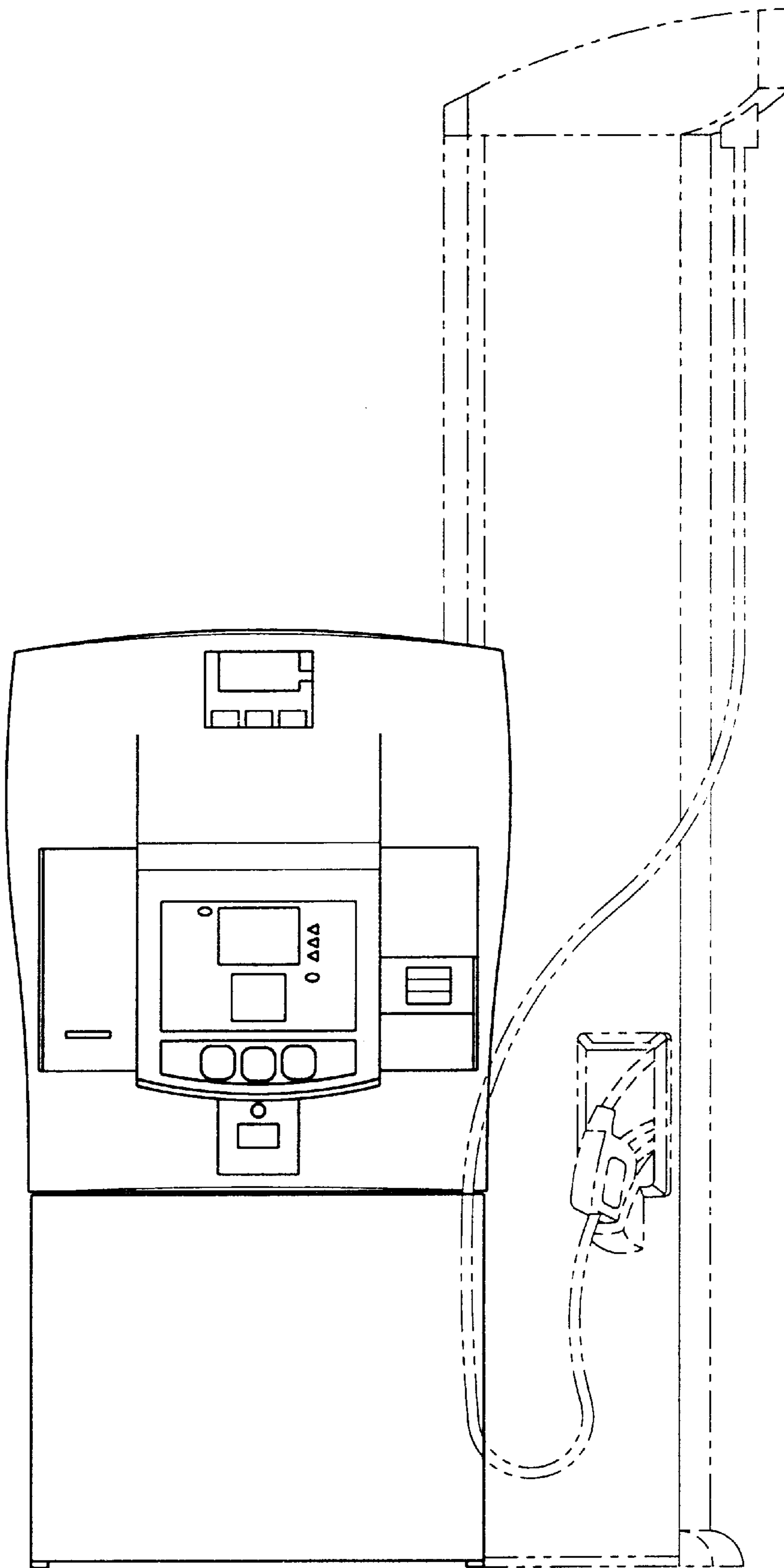


Fig. 2

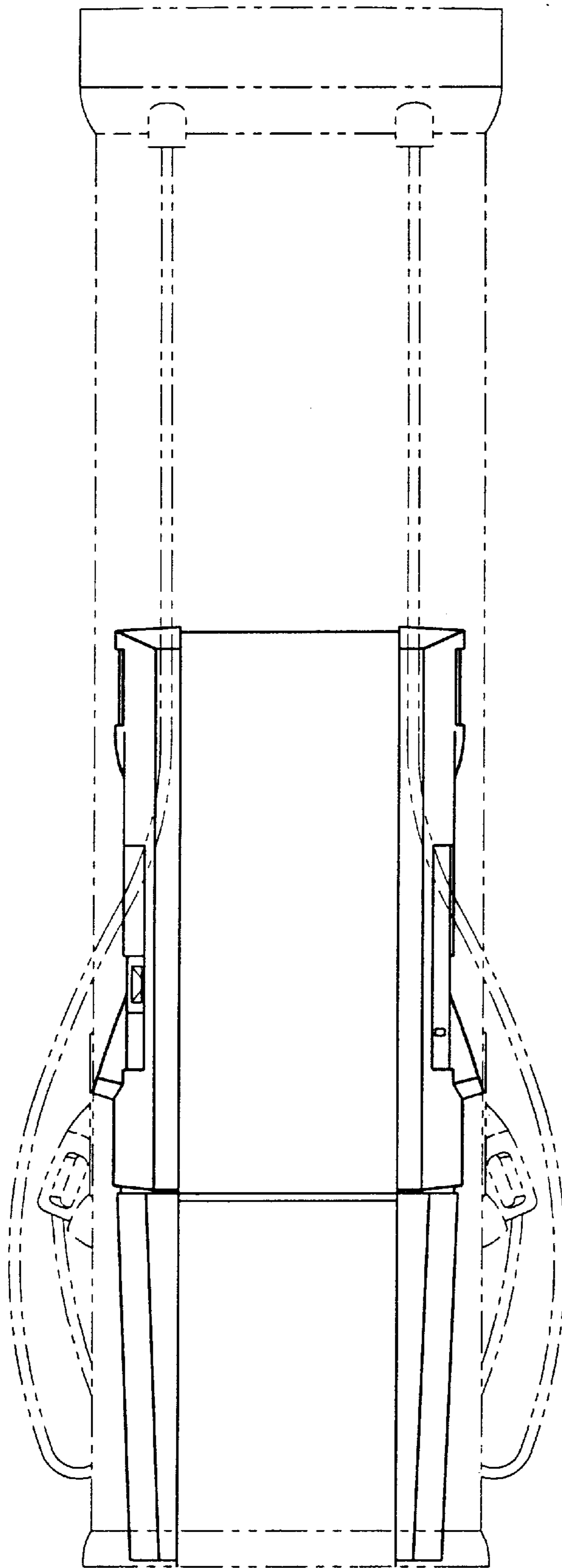


Fig. 3

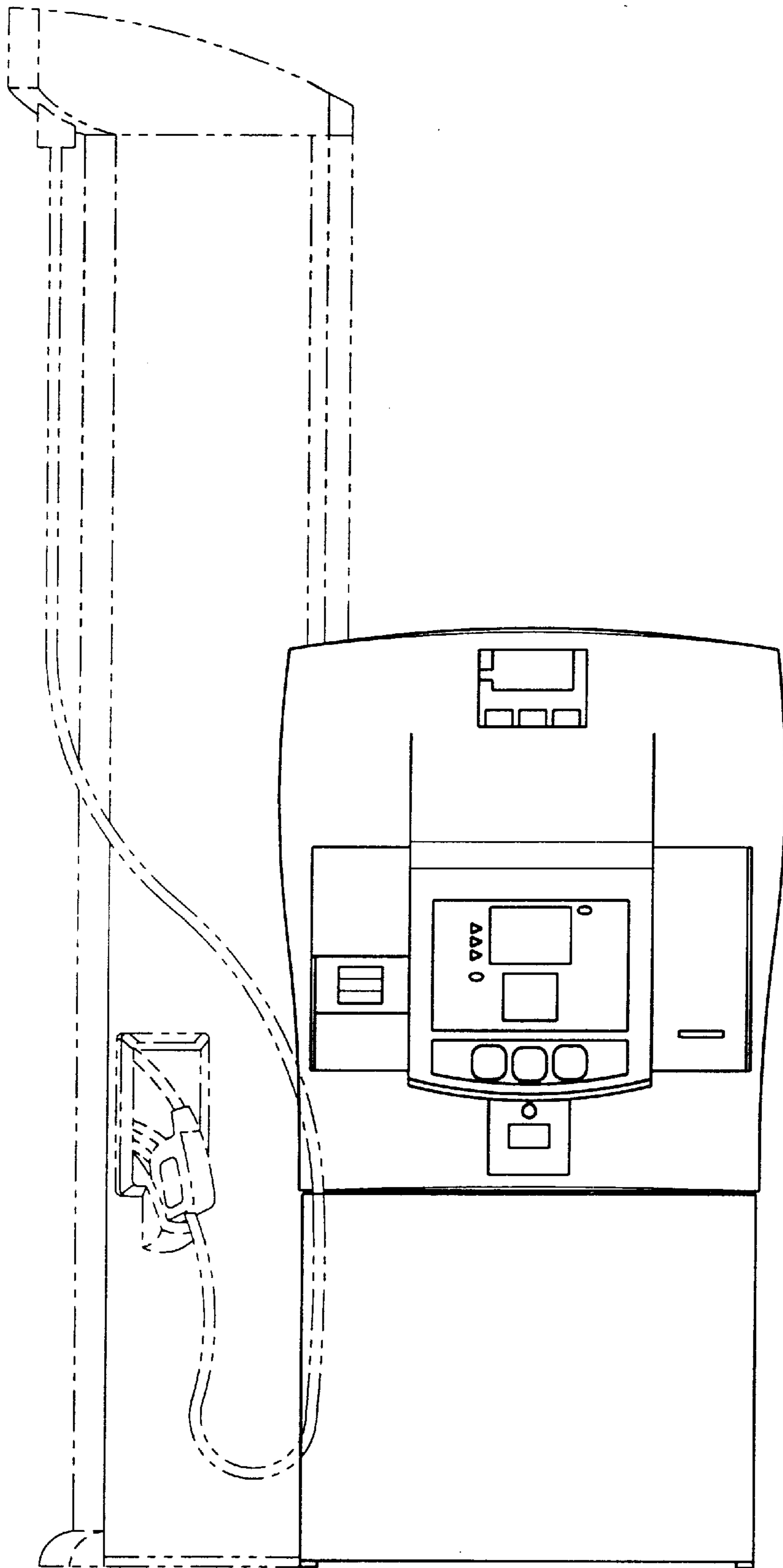


Fig. 4

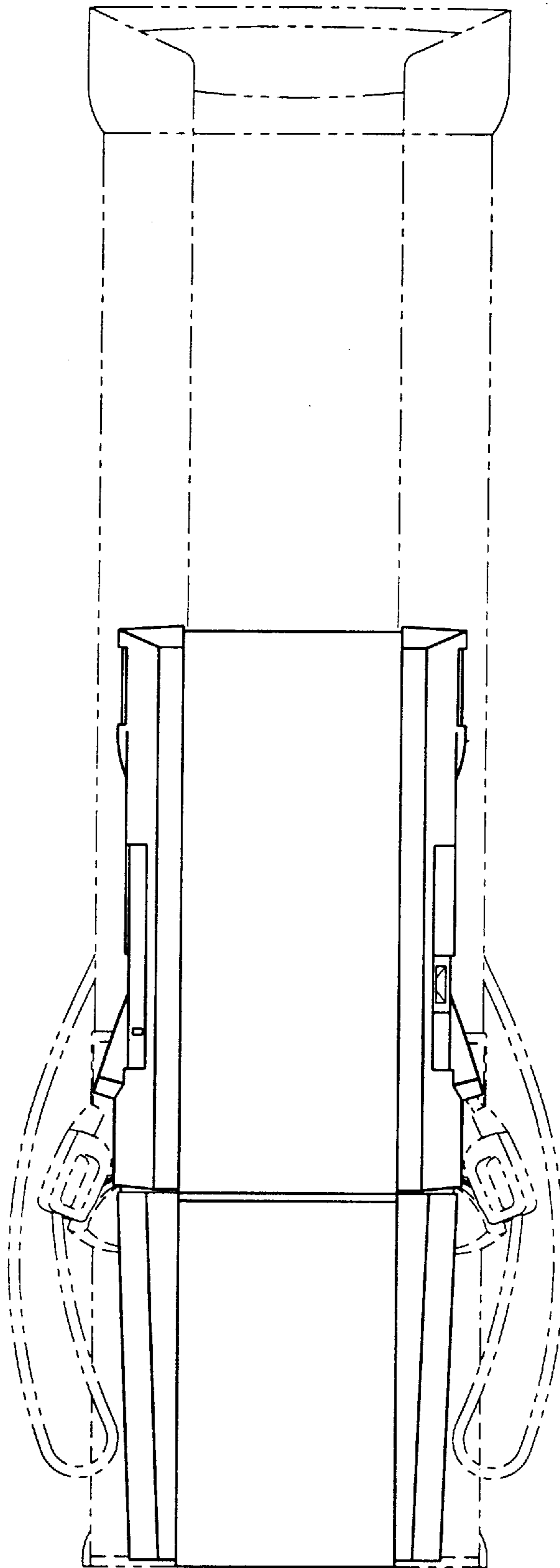


Fig. 5

Fig. 6

