



US00D430166S

United States Patent [19] Takagi

[11] Patent Number: Des. 430,166

[45] Date of Patent: ** Aug. 29, 2000

[54] STAND FOR MONITOR

[75] Inventor: Noriaki Takagi, Tokyo, Japan

[73] Assignee: Sony Corporation, Japan

[**] Term: 14 Years

[21] Appl. No.: 29/102,602

[22] Filed: Mar. 29, 1999

[30] Foreign Application Priority Data

Sep. 29, 1998 [JP] Japan 10-27800

[51] LOC (7) Cl. 14-02

[52] U.S. Cl. D14/452

[58] Field of Search D14/114, 452,
D14/453, 454; 248/917-24, 346.01; D6/449,
491, 445, 396, 512, 476, 474; 361/679-85

[56] References Cited

U.S. PATENT DOCUMENTS

D. 331,921	12/1992	Gutke et al.	D14/452
D. 347,841	6/1994	Rossmann et al.	D14/452
D. 355,086	2/1995	Sakuta et al.	D6/449
D. 362,246	9/1995	Evenson et al.	D14/114
D. 363,065	10/1995	Karten et al.	D14/452
D. 366,254	1/1996	Lynch et al.	D14/452
D. 370,802	6/1996	Lechleiter et al.	D6/476
D. 376,590	12/1996	Kao et al.	D14/452
D. 391,945	3/1998	Rosen	D14/452

D. 394,172	5/1998	Kubo et al.	D6/474
D. 406,228	3/1999	Vogels	D14/452 X
D. 412,167	7/1999	Rosen	D14/452 X
4,589,621	5/1986	Hunt et al. .	
5,797,568	8/1998	Canton Gongora et al. .	
5,868,079	2/1999	Charny .	

Primary Examiner—M. H. Tung
Attorney, Agent, or Firm—Rader, Fishman&Grauer

[57] CLAIM

The ornamental design for a stand for monitor, as shown and described.

DESCRIPTION

FIG. 1 is a perspective view of a stand for monitor including my new design;
 FIG. 2 is a top plan view thereof;
 FIG. 3 is a left side elevational view thereof;
 FIG. 4 is a front elevational view thereof;
 FIG. 5 is a right side elevational view thereof;
 FIG. 6 is a rear elevational view thereof; and
 FIG. 7 is a bottom plan view thereof.
 FIG. 8 is another perspective view thereof in the alternate position; and,
 FIG. 9 is a perspective view thereof in the other alternate position.
 The broken lines of the base portion of the stand in FIGS. 1 and 3-9 are for illustrative purposes only and forms no part of the claimed design.

1 Claim, 5 Drawing Sheets

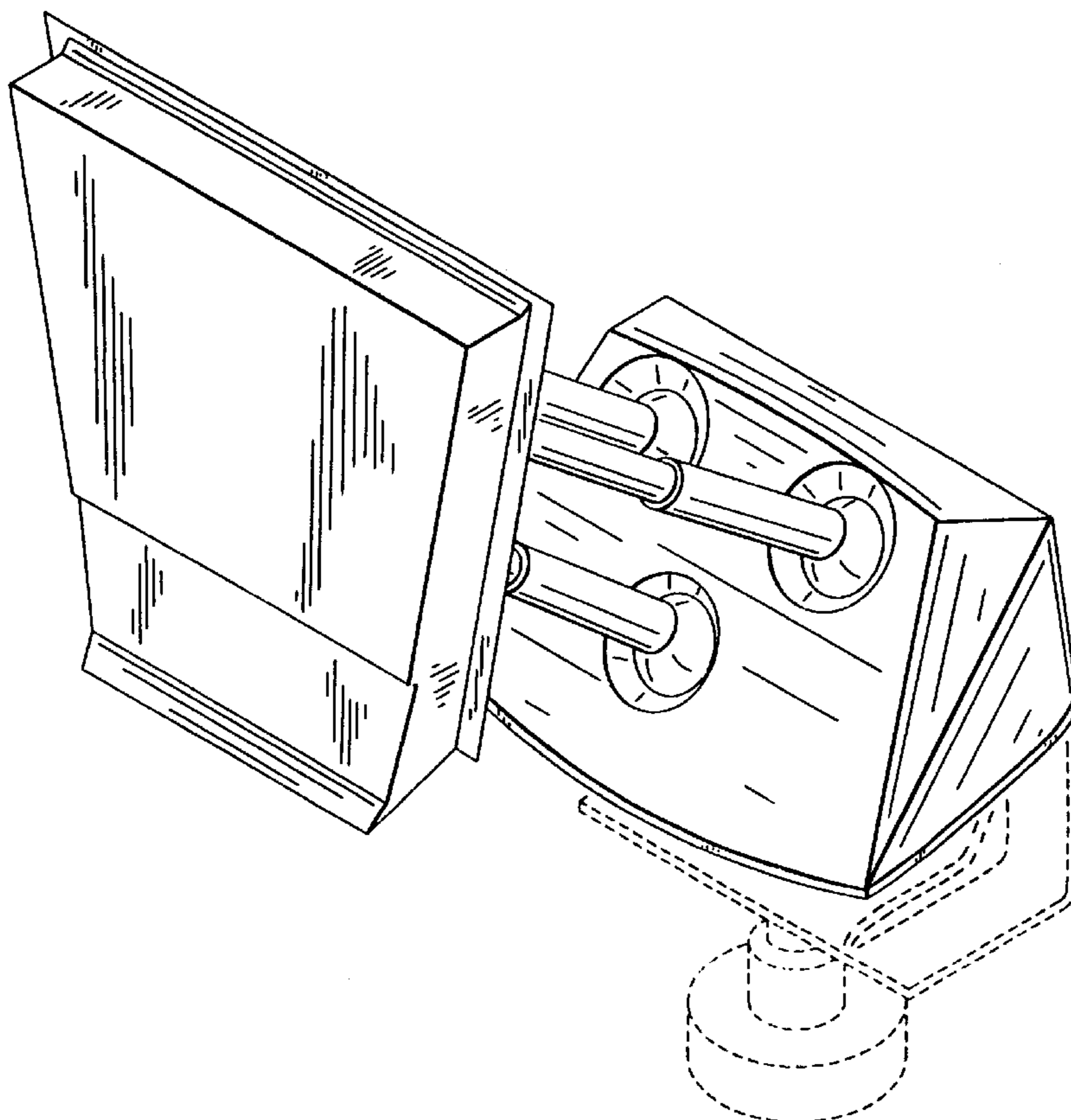


FIG. 1

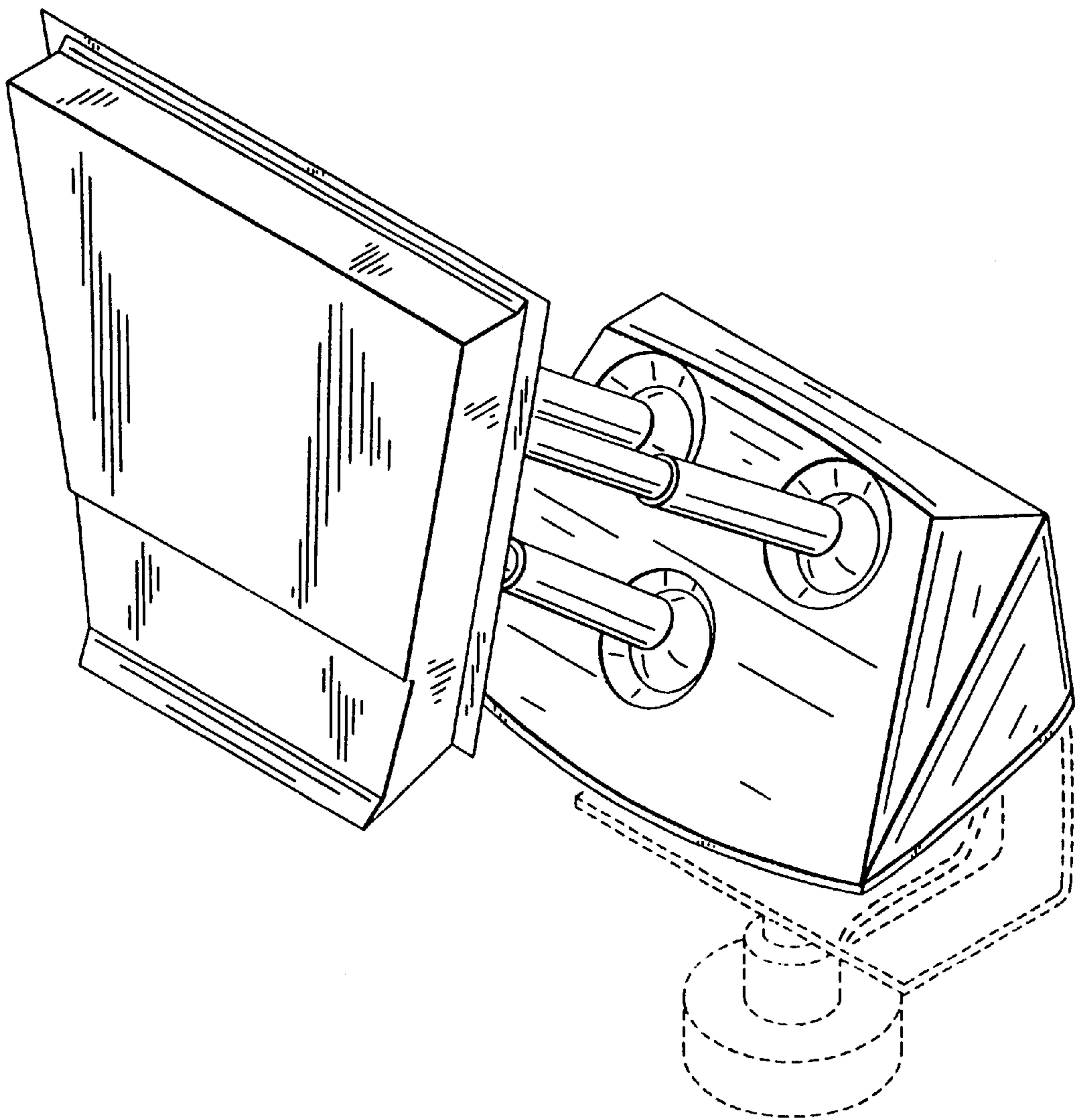


FIG.3

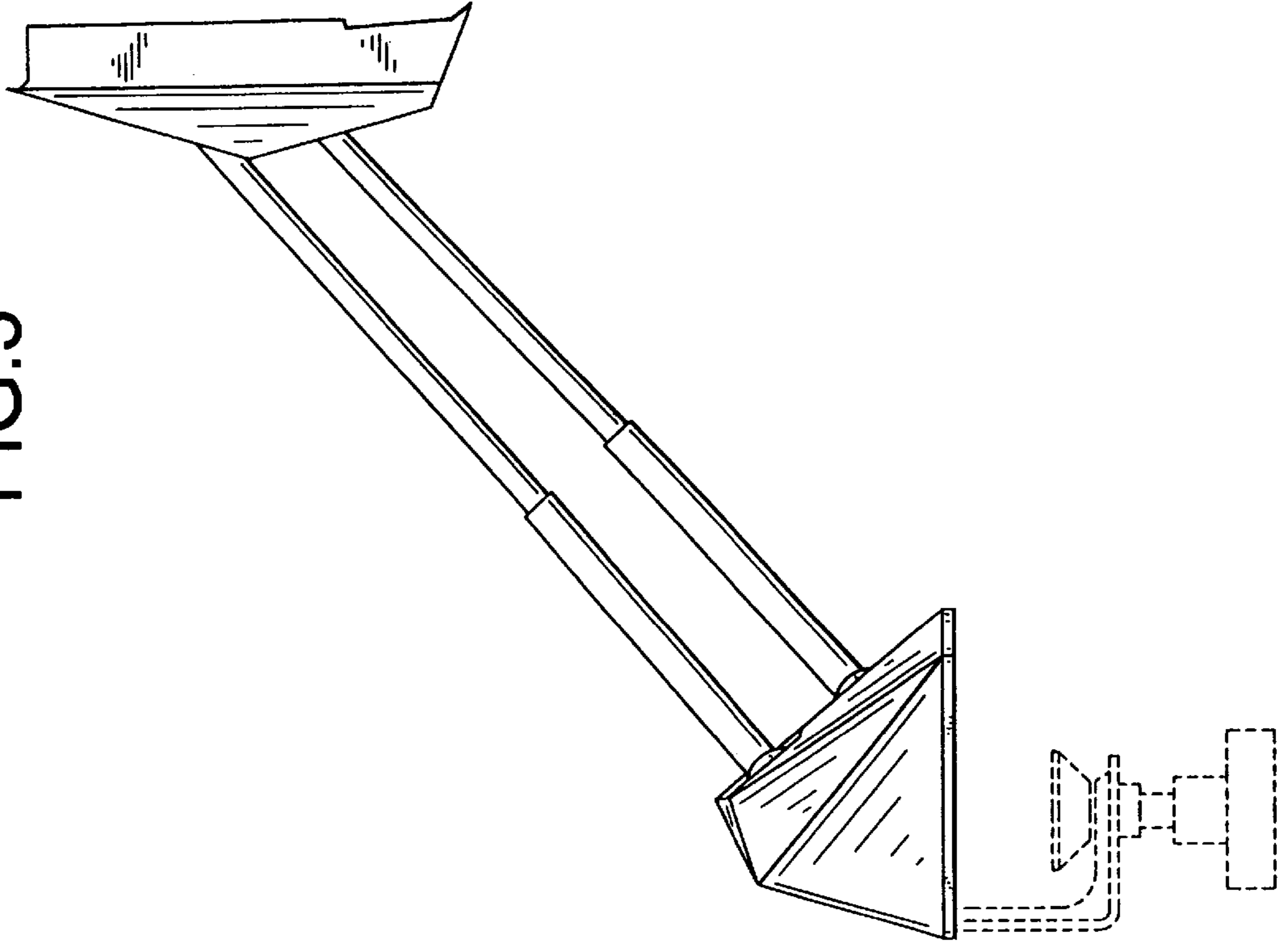


FIG.2

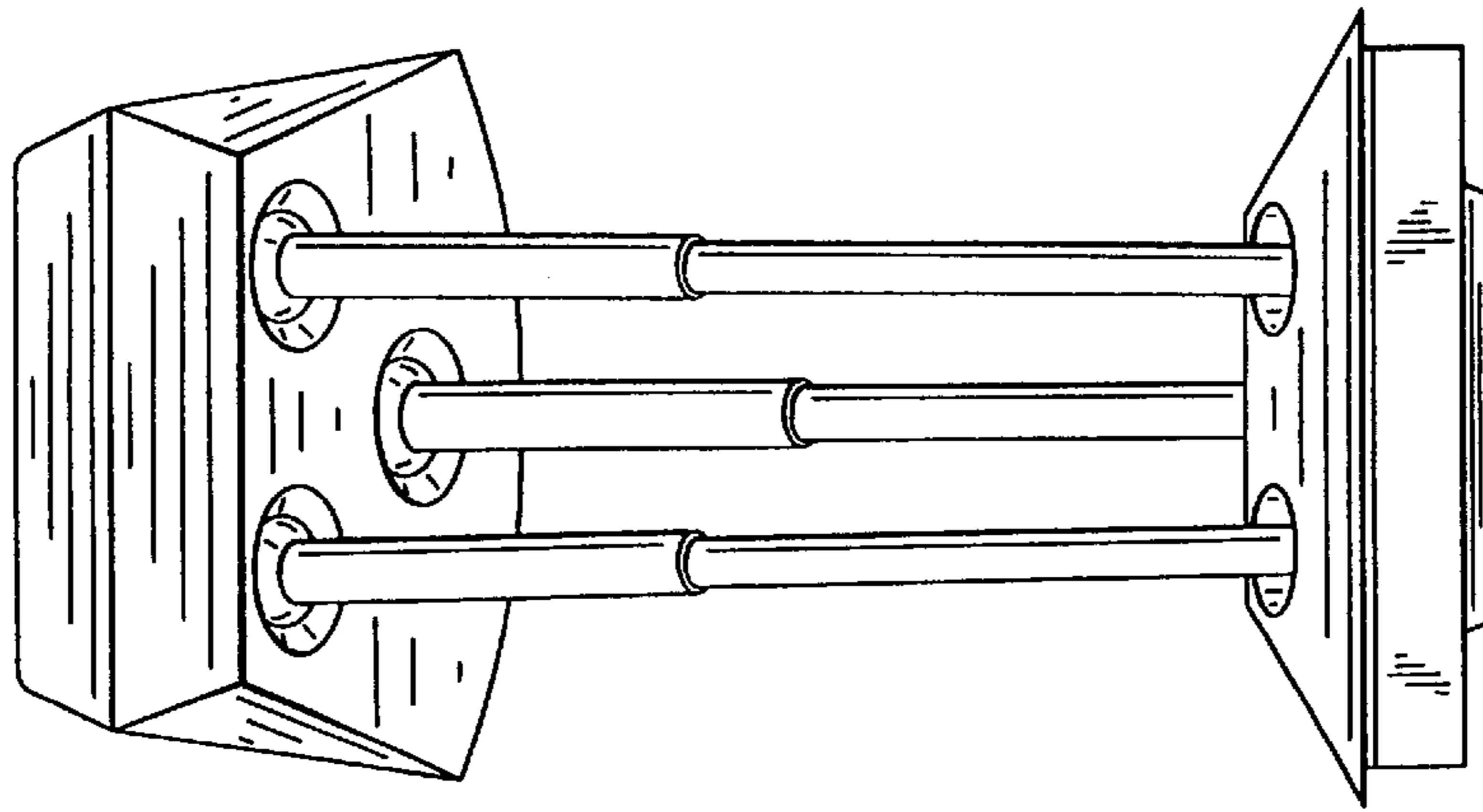


FIG.5

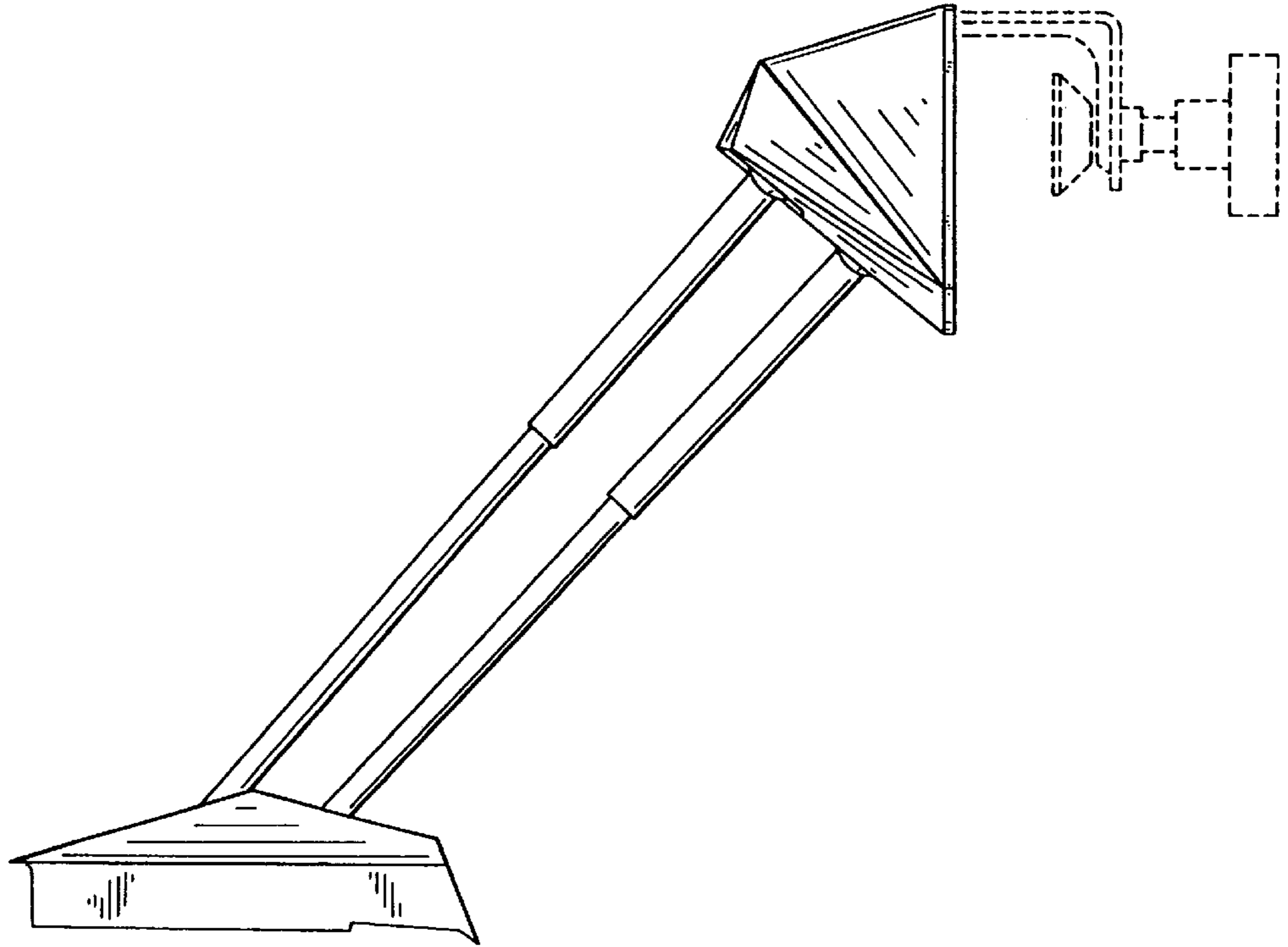


FIG.4

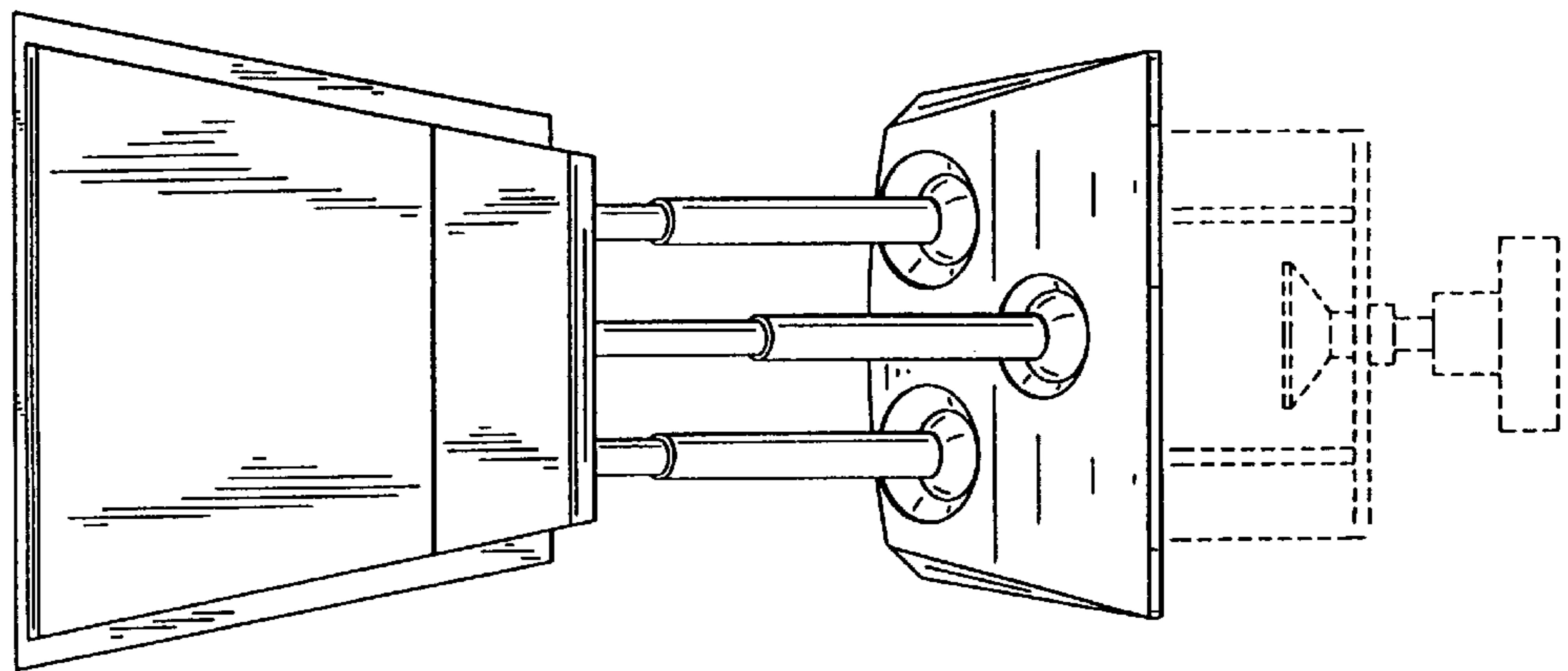


FIG.7

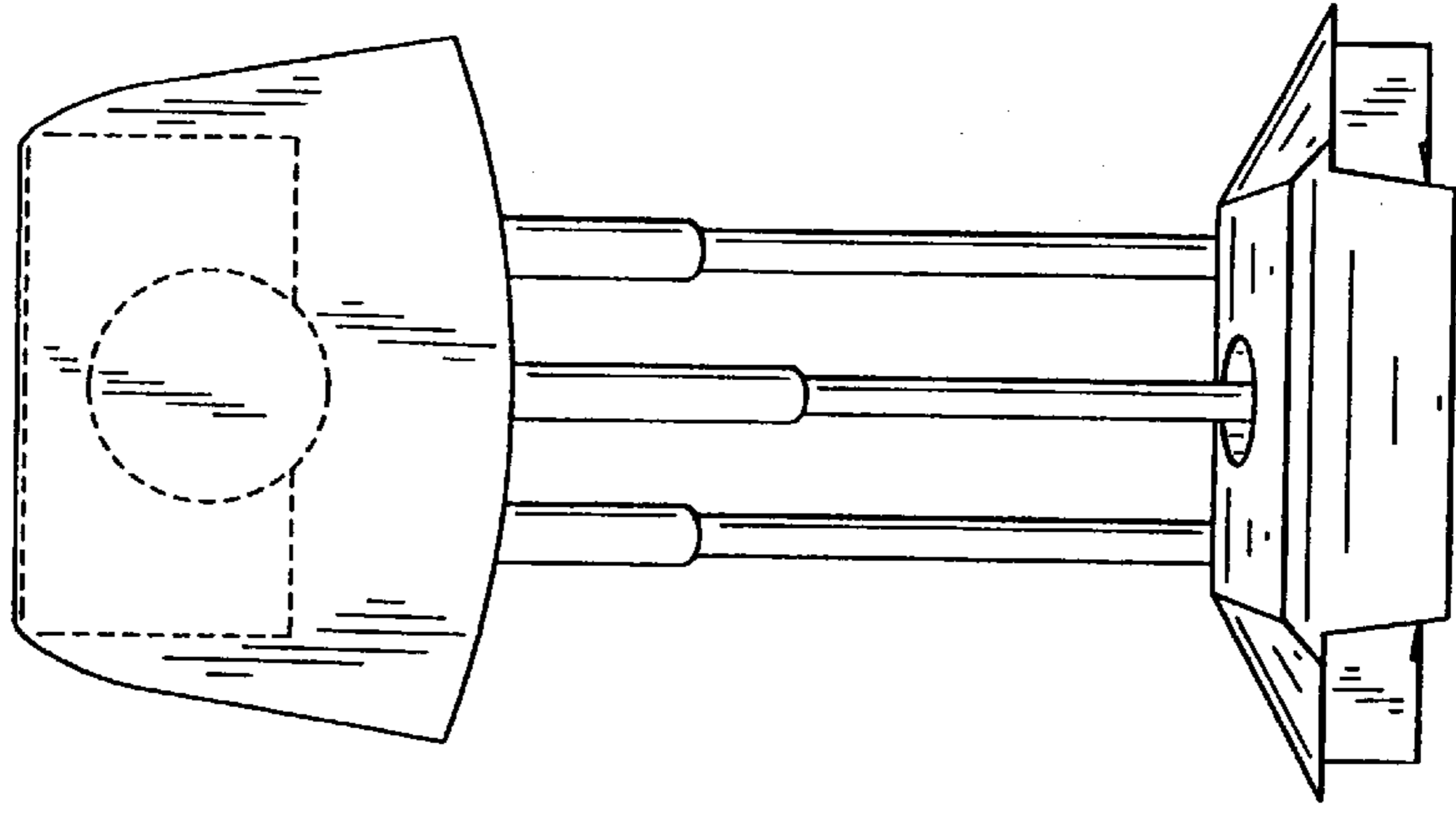


FIG.6

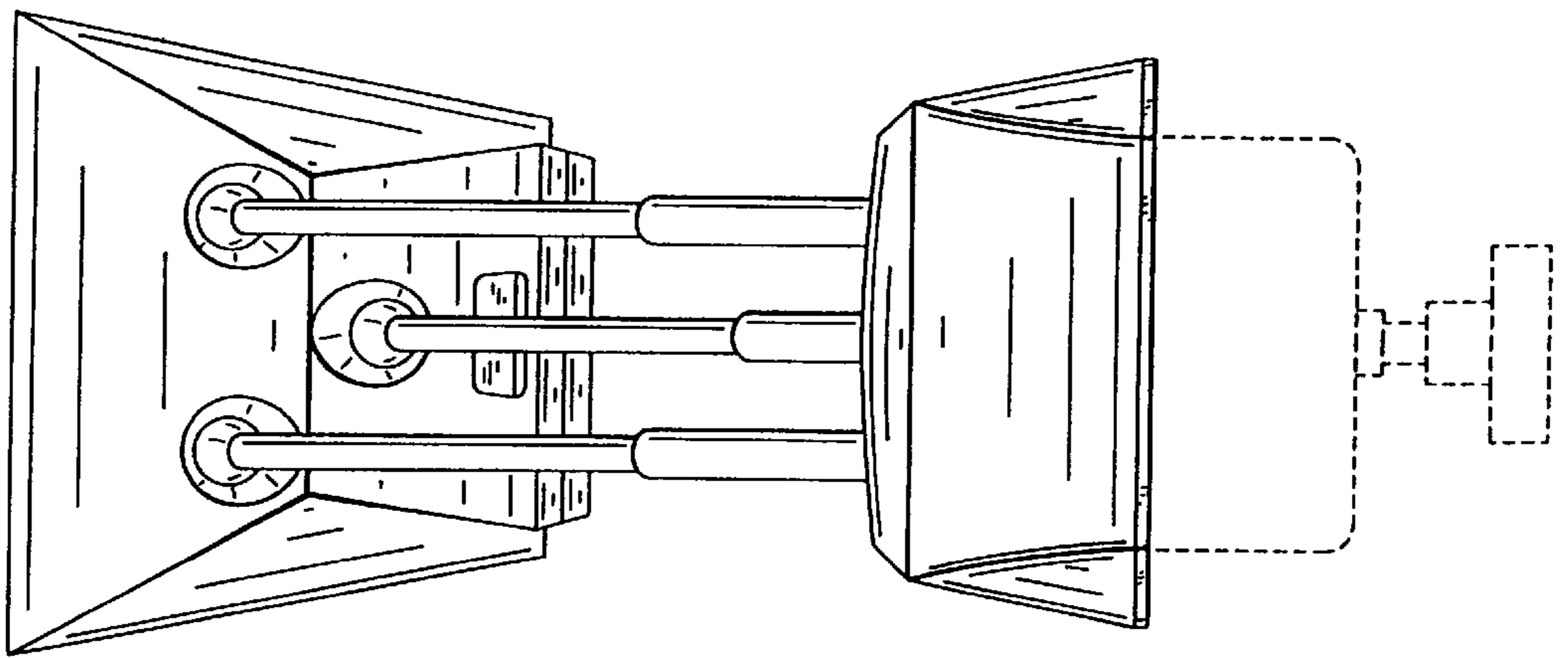


FIG.8

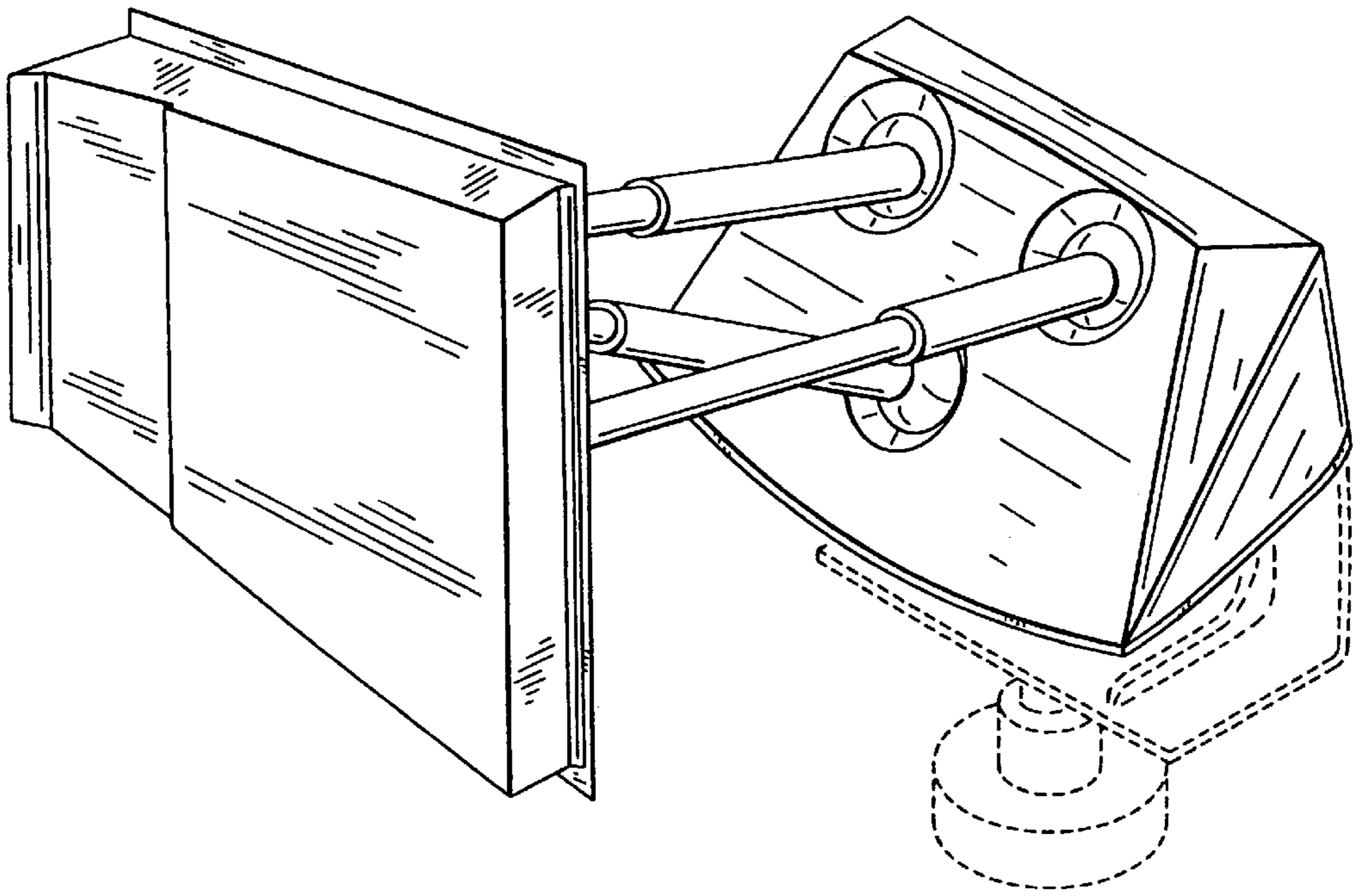


FIG.9

