



US00D430165S

United States Patent [19]

Lee

[11] Patent Number: **Des. 430,165**

[45] Date of Patent: **** Aug. 29, 2000**

[54] **CMS-CPU MONITOR SUPPORT**

[76] Inventor: **Khuay Hak Lee**, Blk 792, Yishun Ring Road #04-5448, Singapore 760792, Singapore

[**] Term: **14 Years**

[21] Appl. No.: **29/105,797**

[22] Filed: **Jun. 2, 1999**

[30] **Foreign Application Priority Data**

Dec. 14, 1998 [GB] United Kingdom 2079780

[51] **LOC (7) Cl.** **14-02**

[52] **U.S. Cl.** **D14/451**

[58] **Field of Search** D14/100, 114; D8/354, 373, 349, 363; 248/281.11, 278.1, 280.11, 917-920, 284.1, 285.1, 286.1; 361/680-686; D19/91; 348/837, 827

[56] **References Cited**

U.S. PATENT DOCUMENTS

- Re. 34,266 6/1993 Schairbaum .
- D. 391,243 2/1998 Rosen D14/114
- D. 391,946 3/1998 Rosen D14/114
- D. 395,874 7/1998 Rosen D14/114
- 4,869,564 9/1989 Lechman .
- 5,125,727 6/1992 Lechman et al. .

- 5,290,099 3/1994 Lechman .
- 5,294,193 3/1994 Wegman .
- 5,408,939 4/1995 Lechman .
- 5,758,849 6/1998 Bui et al. 248/125.1

OTHER PUBLICATIONS

Amblin Design PTE Ltd. Brochure, 1996, 1 page.

Primary Examiner—Kay H. Chin
Attorney, Agent, or Firm—Harness, Dickey & Pierce, P.L.C.

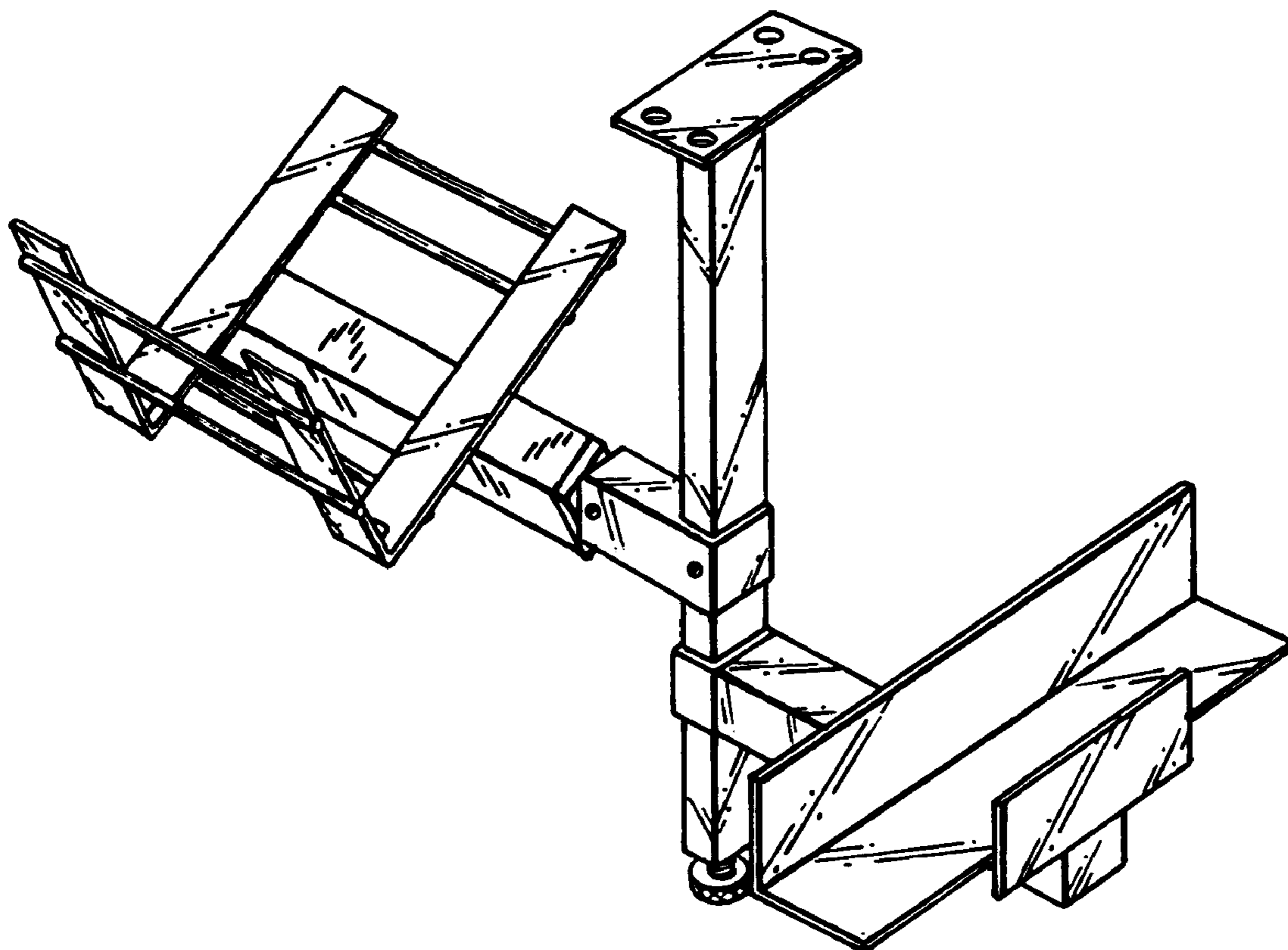
[57] **CLAIM**

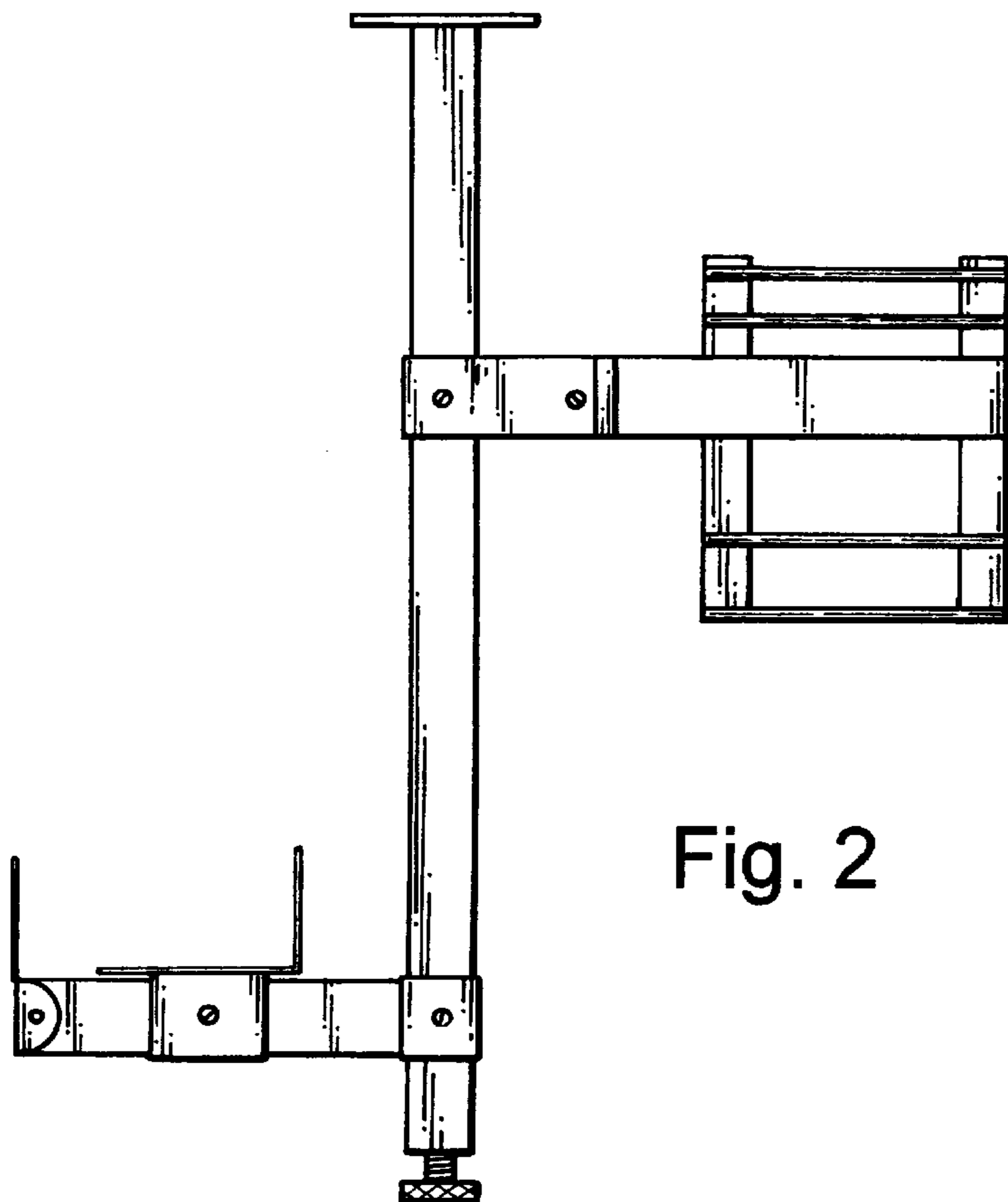
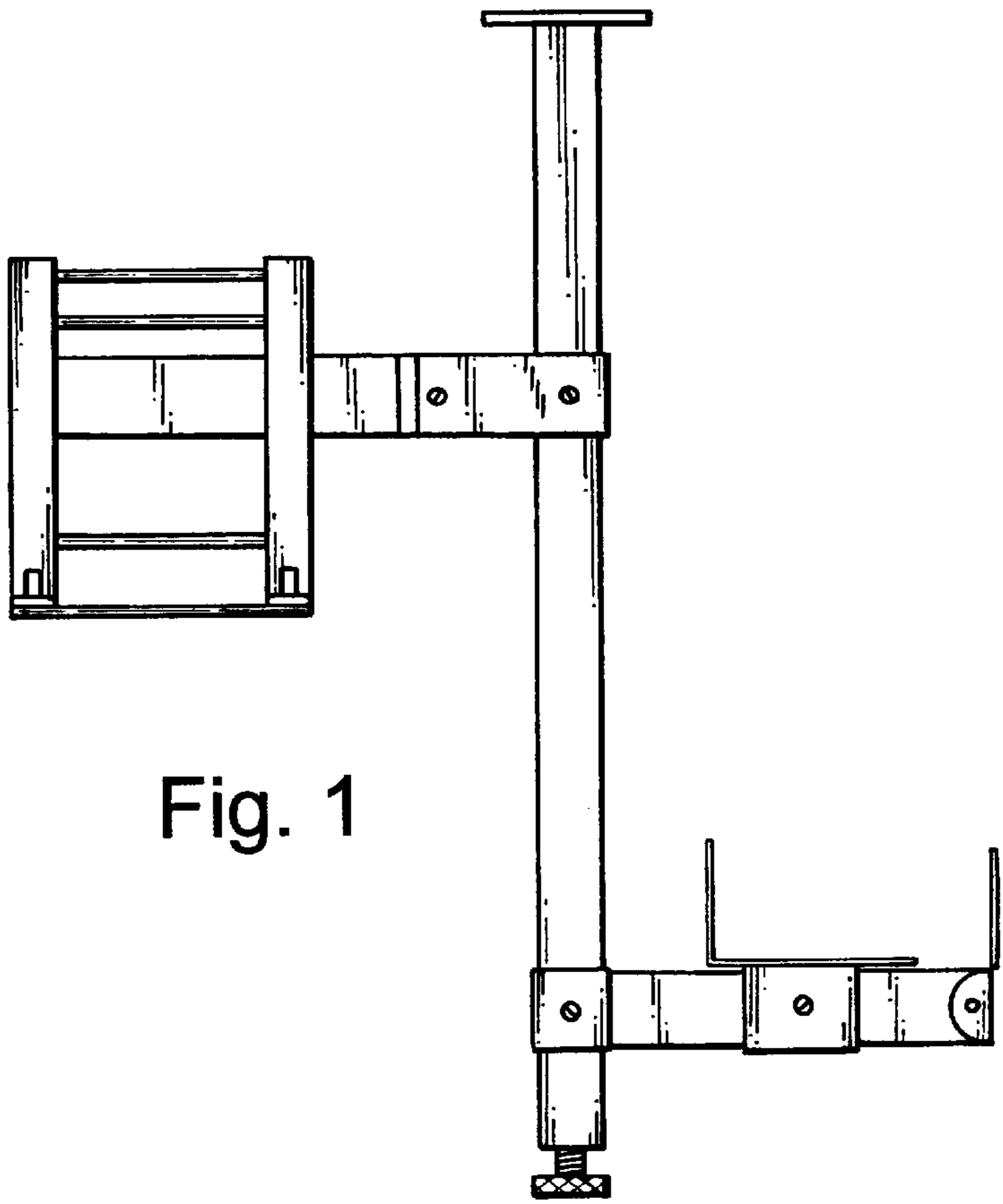
The ornamental design for a CMS-CPU monitor support, as shown and described.

DESCRIPTION

FIG. 1 is a front elevational view of a CMS-CPU monitor support showing my new design;
 FIG. 2 is a rear elevational view thereof;
 FIG. 3 is a right side elevational view thereof;
 FIG. 4 is a left side elevational view thereof;
 FIG. 5 is a top plan view thereof;
 FIG. 6 is a bottom plan view thereof;
 FIG. 7 is a side perspective view thereof showing the monitor support pivoted and in a lowered position; and,
 FIG. 8 is a front perspective view thereof showing the monitor support in a pivoted position.

1 Claim, 4 Drawing Sheets





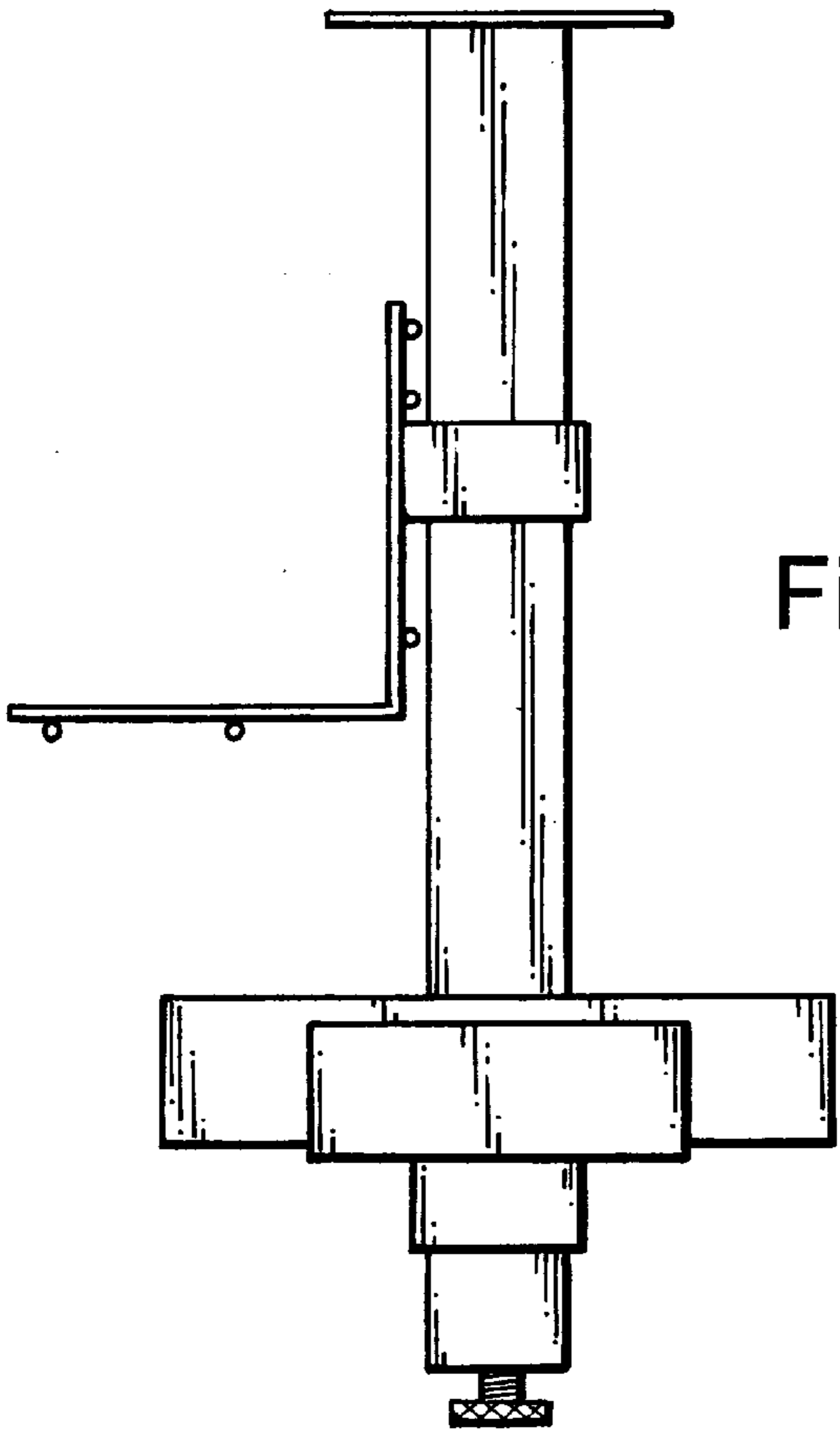


Fig. 3

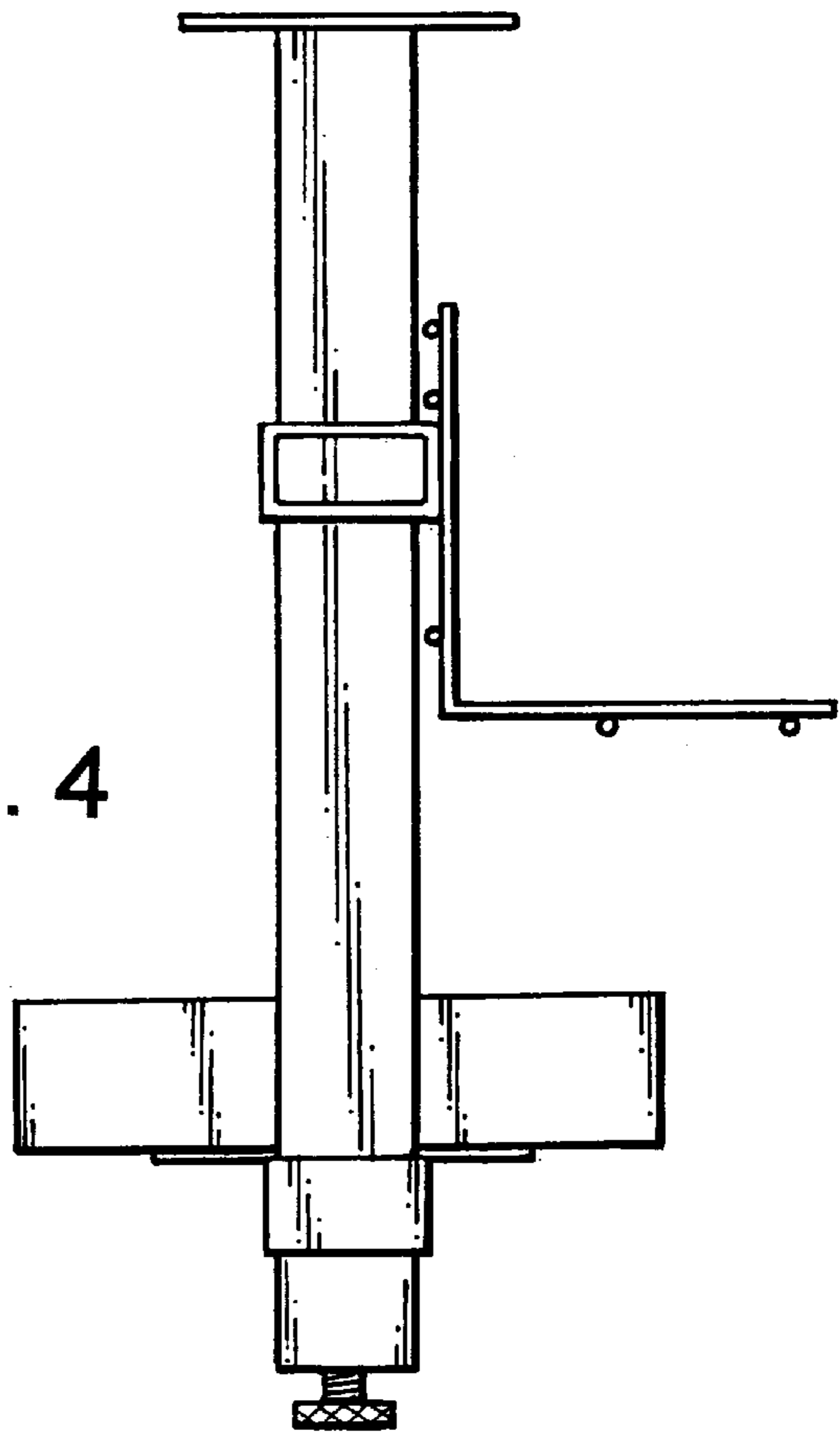


Fig. 4

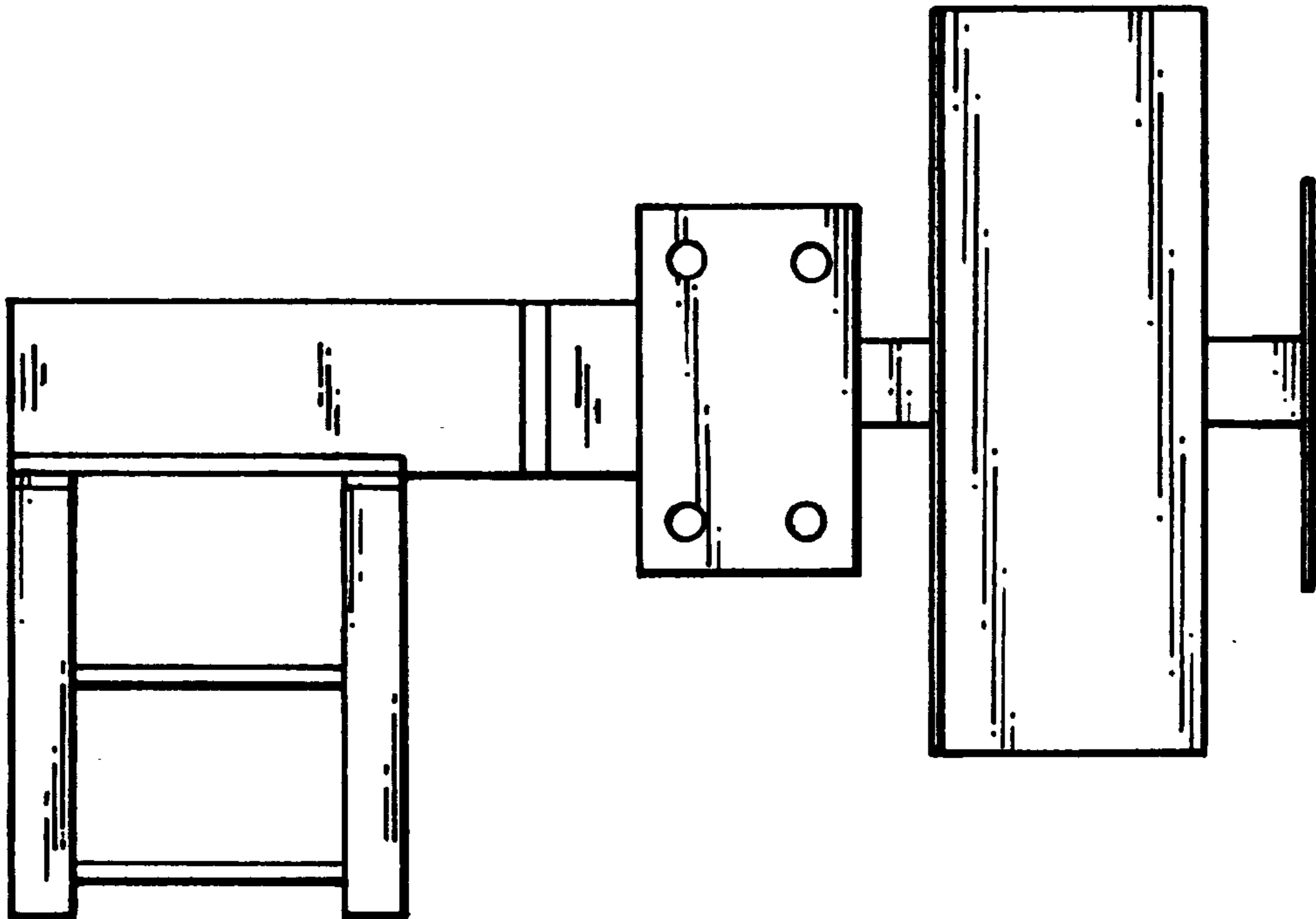


Fig. 5

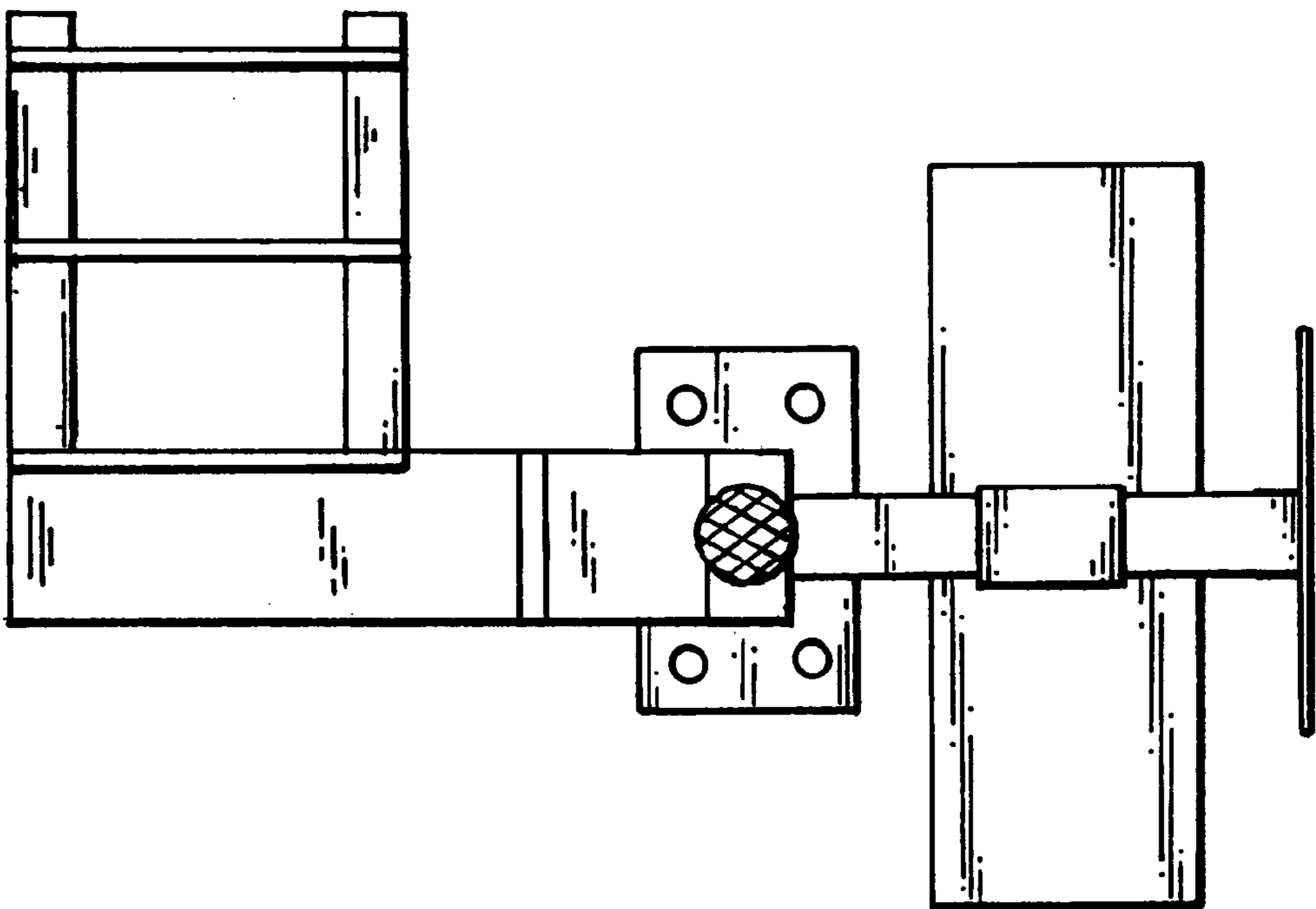


Fig. 6

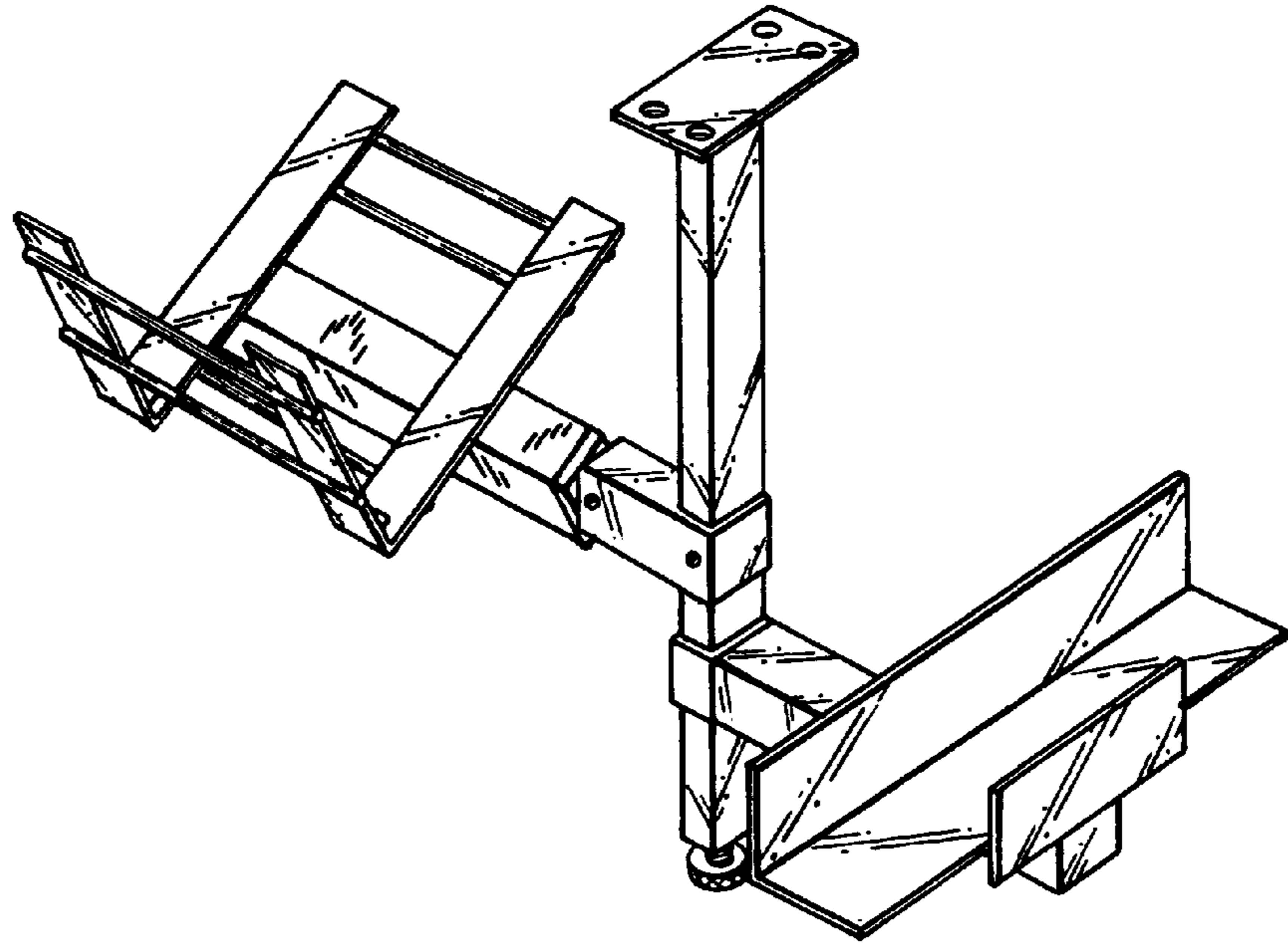


Fig. 7

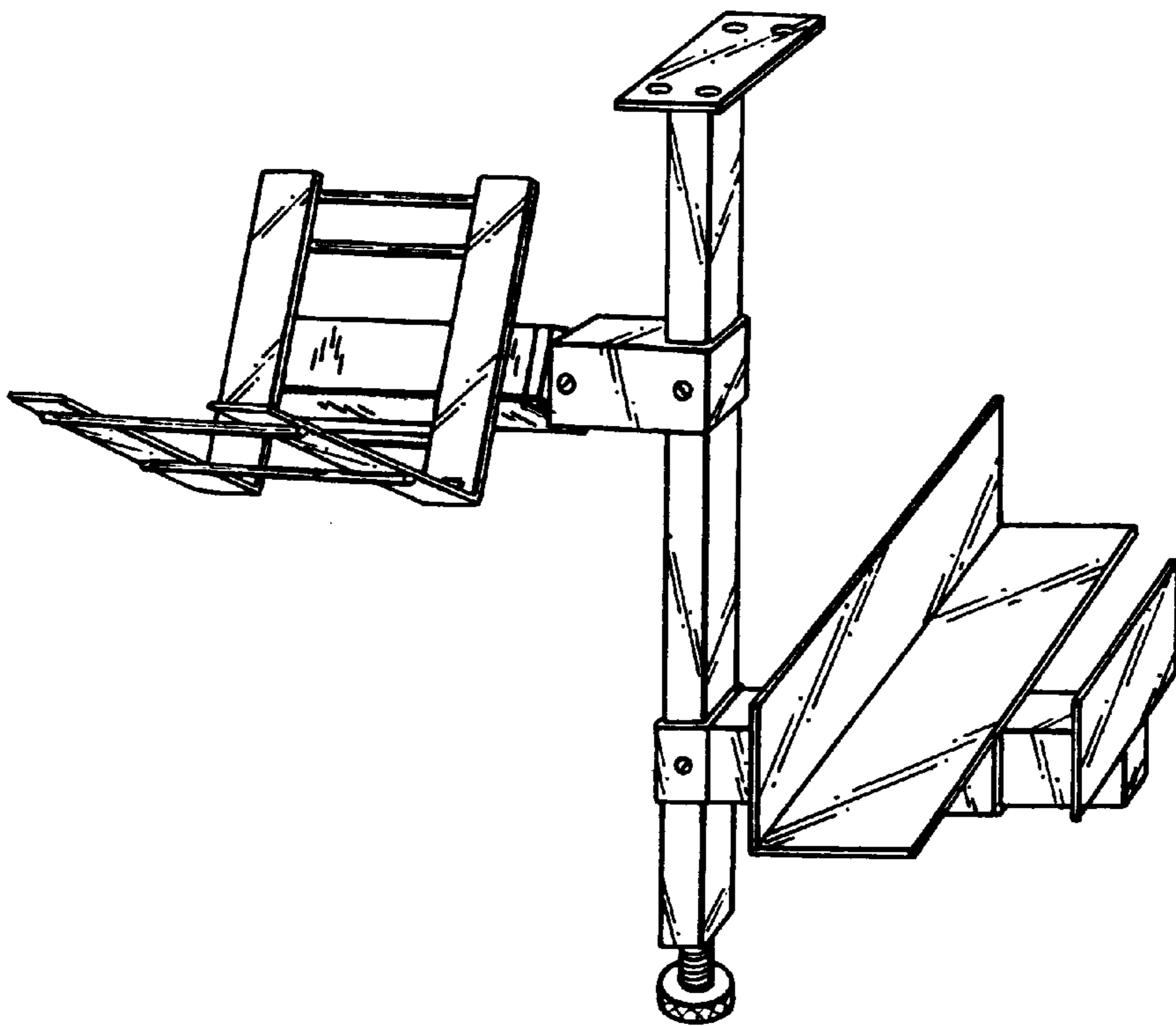


Fig. 8