



US00D430163S

**United States Patent** [19]  
**Gatto et al.**

[11] **Patent Number: Des. 430,163**

[45] **Date of Patent: \*\* Aug. 29, 2000**

[54] **COMPACT SCANNING TERMINAL**

D. 374,030 9/1996 Horiki et al. .... D18/36  
D. 377,370 1/1997 Escobedo et al. .... D18/55

[75] Inventors: **Jean-Marie Gatto**, London, United Kingdom; **Thierry Brunet de Courssou**, Palo Alto, Calif.

*Primary Examiner*—Freda Nunn  
*Attorney, Agent, or Firm*—Young Law Firm, P.C.

[73] Assignee: **Cyberscan Technology, Inc.**, Palo Alto, Calif.

[57] **CLAIM**

[\*\*] Term: **14 Years**

The ornamental design for a compact scanning terminal, as shown.

[21] Appl. No.: **29/112,428**

**DESCRIPTION**

[22] Filed: **Oct. 15, 1999**

[51] **LOC (7) Cl.** ..... **14-02**

[52] **U.S. Cl.** ..... **D14/422**

[58] **Field of Search** ..... D14/421, 422,  
D14/424, 462; D18/4.1, 4.3, 4.4, 4.5, 4.6,  
36, 55; 250/556; 355/64, 65, 75, 81

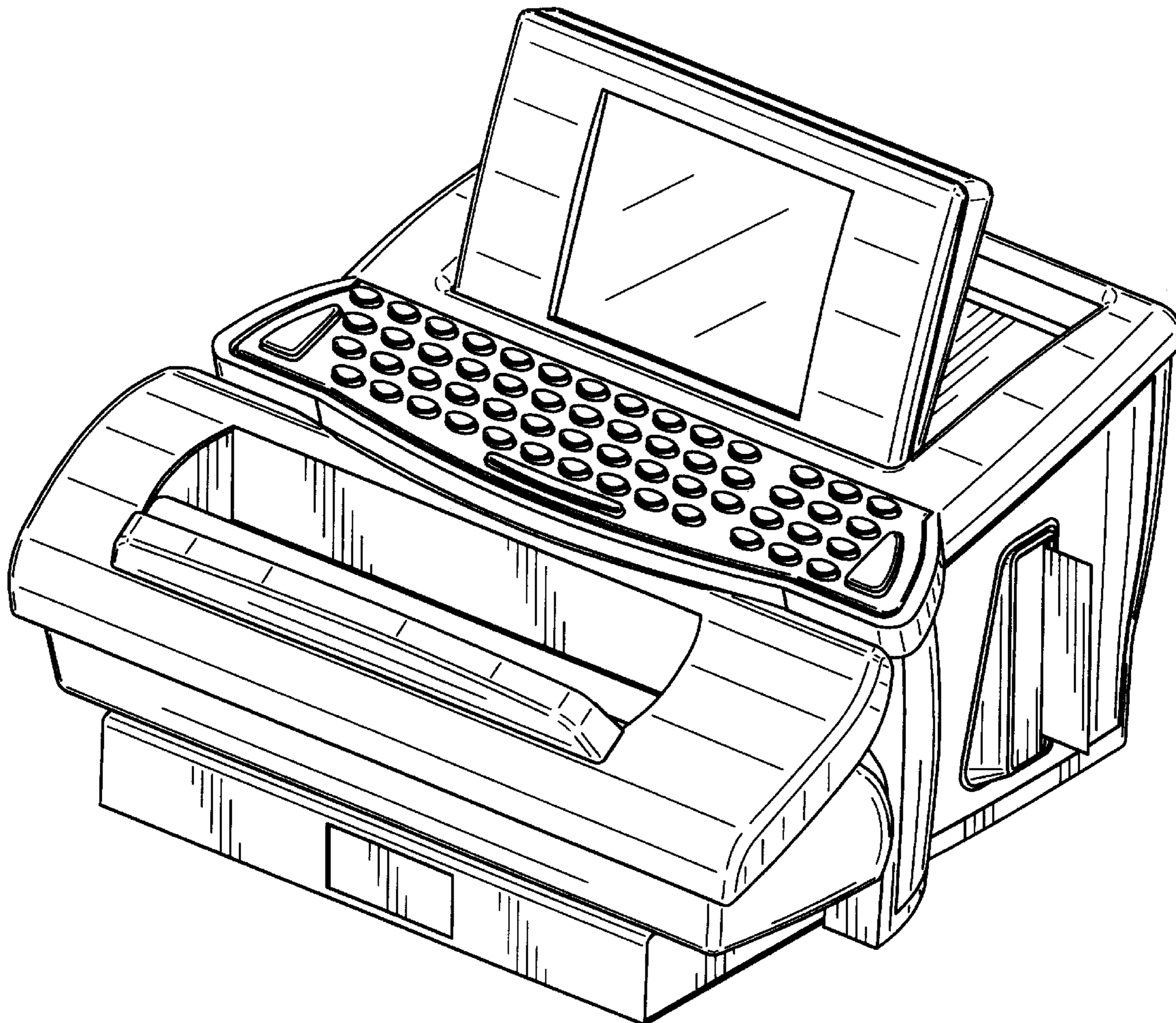
FIG. 1 is a side elevational view of the compact scanning terminal of FIG. 7, as seen from the left thereof;  
FIG. 2 is a side elevational view of the compact scanning terminal of FIG. 7, as seen from the right thereof;  
FIG. 3 is a rear elevational view of the compact scanning terminal of FIG. 7;  
FIG. 4 is a front elevational view of the compact scanning terminal of FIG. 7;  
FIG. 5 is a top plan view of the compact scanning terminal of FIG. 7;  
FIG. 6 is a bottom plan view of the compact scanning terminal of FIG. 7; and,  
FIG. 7 is a front, top and side perspective view of a compact scanning terminal showing our new design.

[56] **References Cited**

**U.S. PATENT DOCUMENTS**

D. 299,826	2/1989	Takahashi	.....	D14/422
D. 315,898	4/1991	Hokura et al.	.....	D14/422
D. 358,409	5/1995	Whiston	.....	D18/4.1
D. 370,471	6/1996	Au	.....	D14/422

**1 Claim, 7 Drawing Sheets**



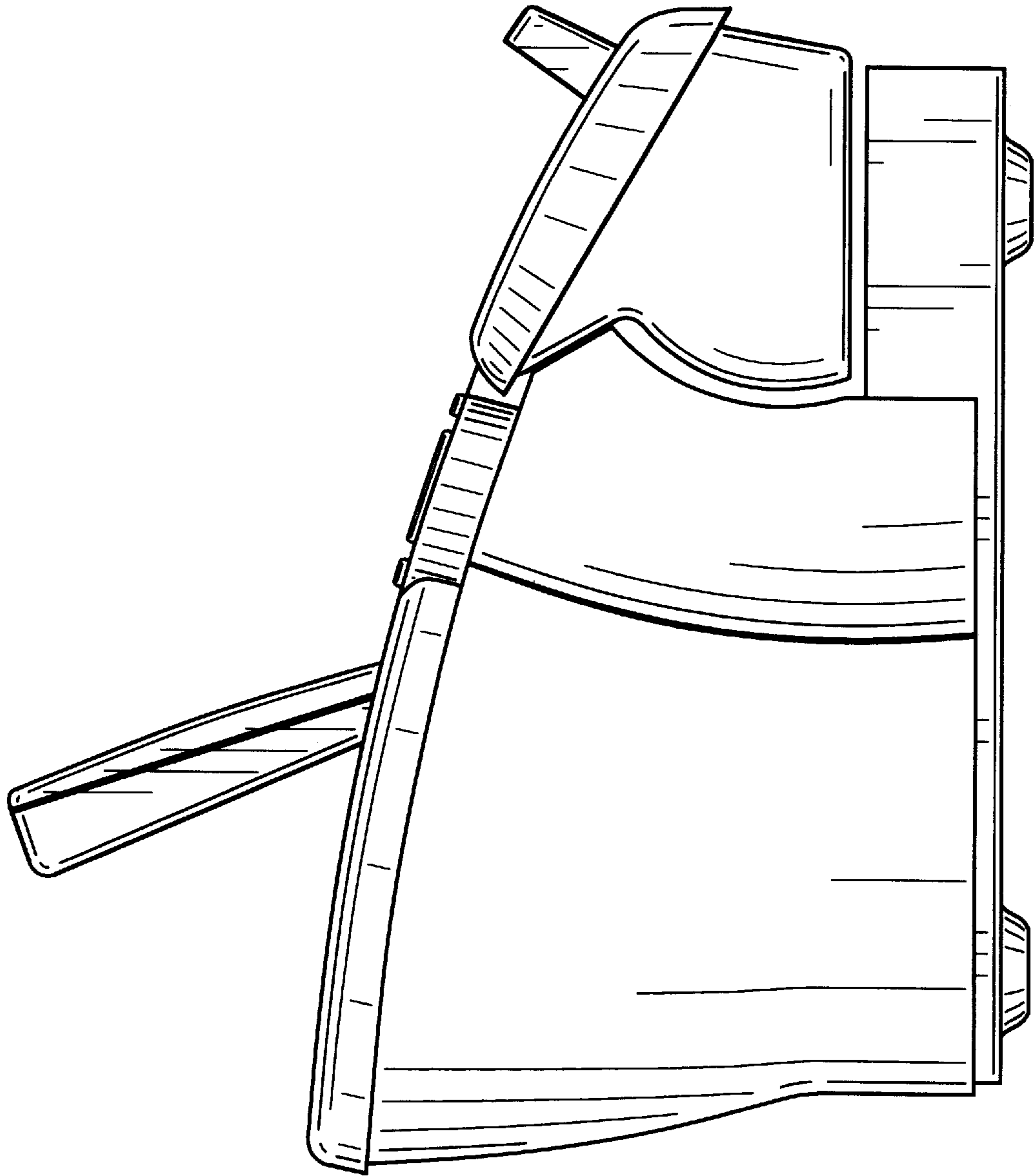


FIG. 1

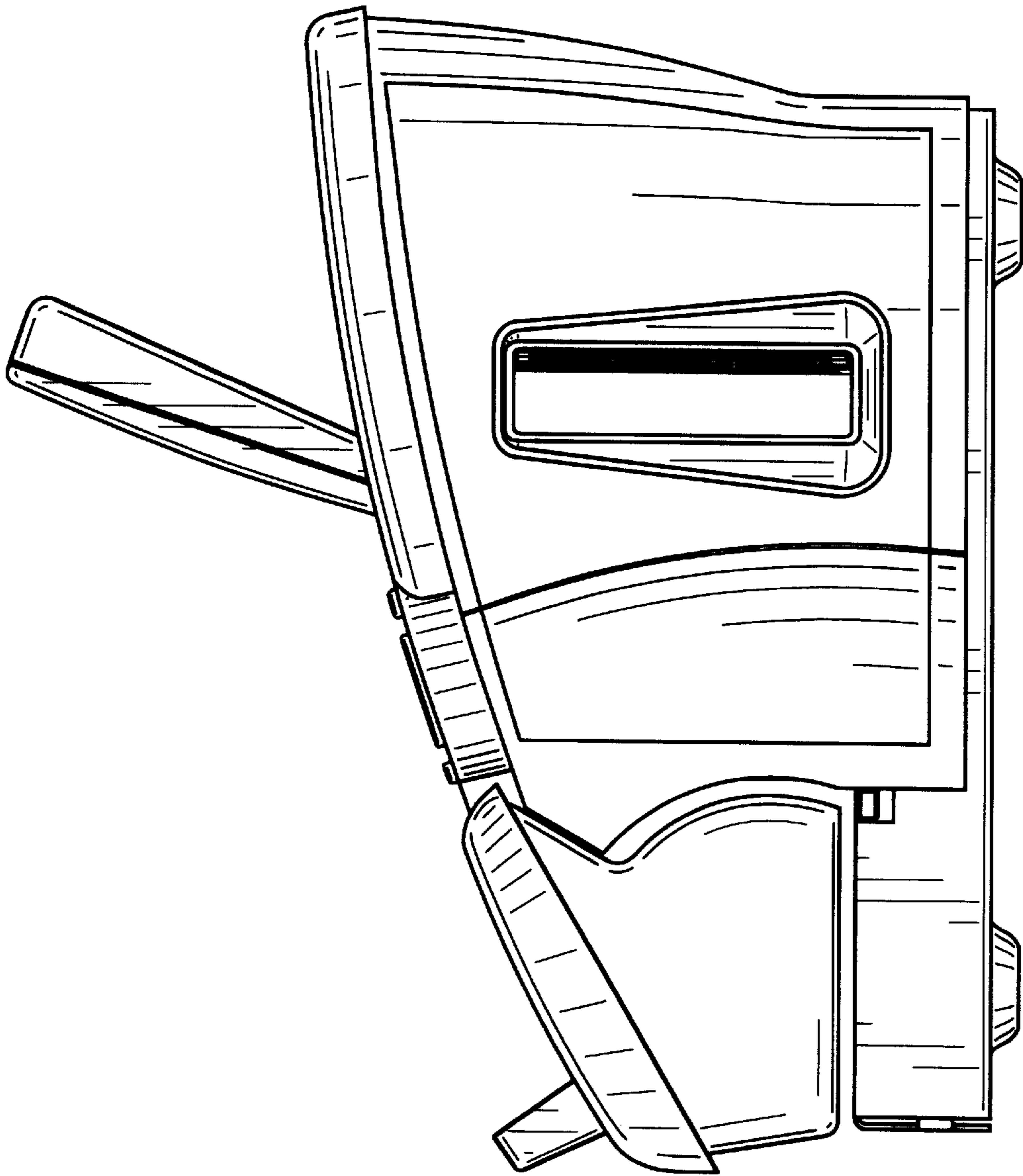


FIG. 2

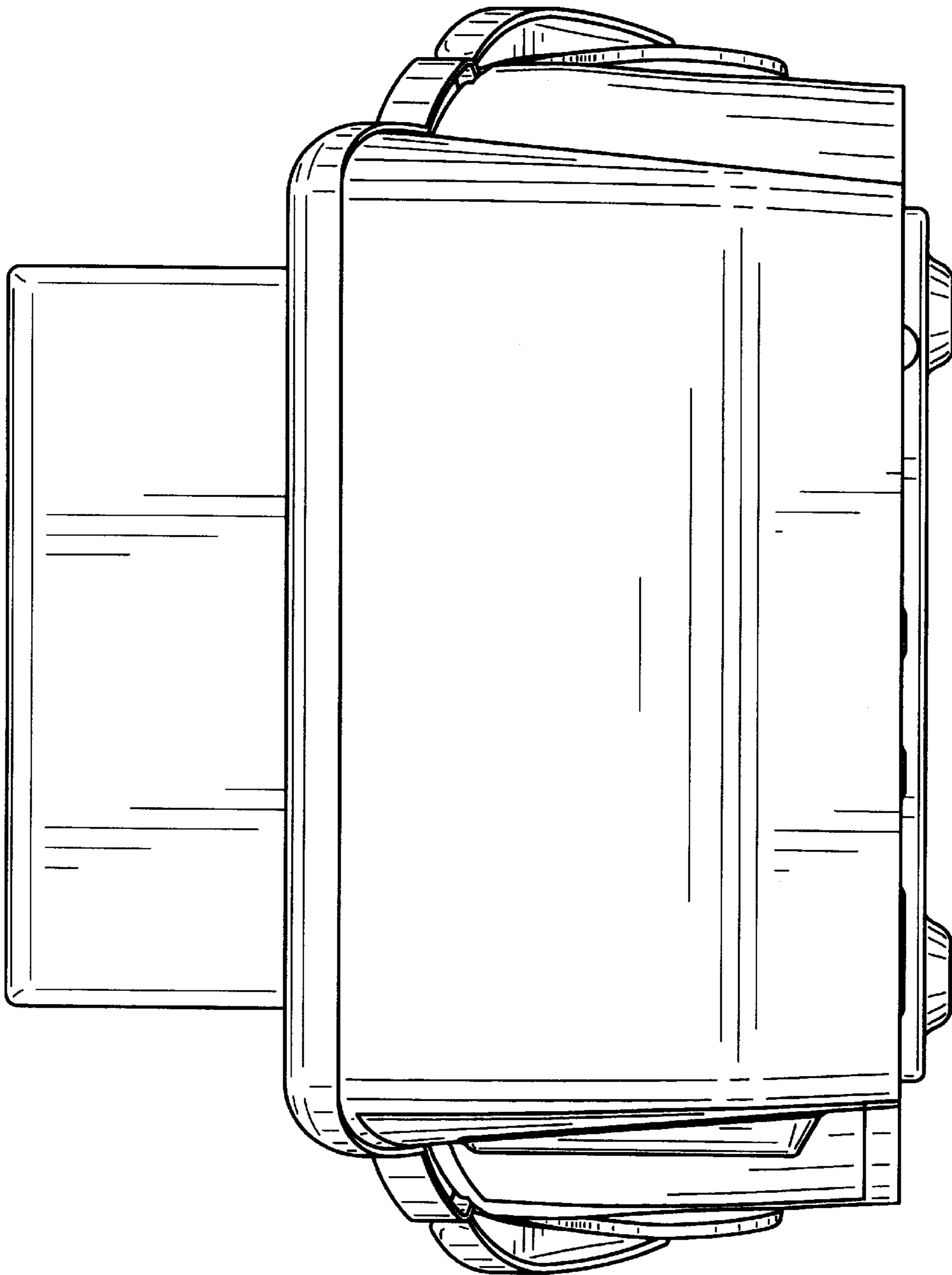


FIG. 3

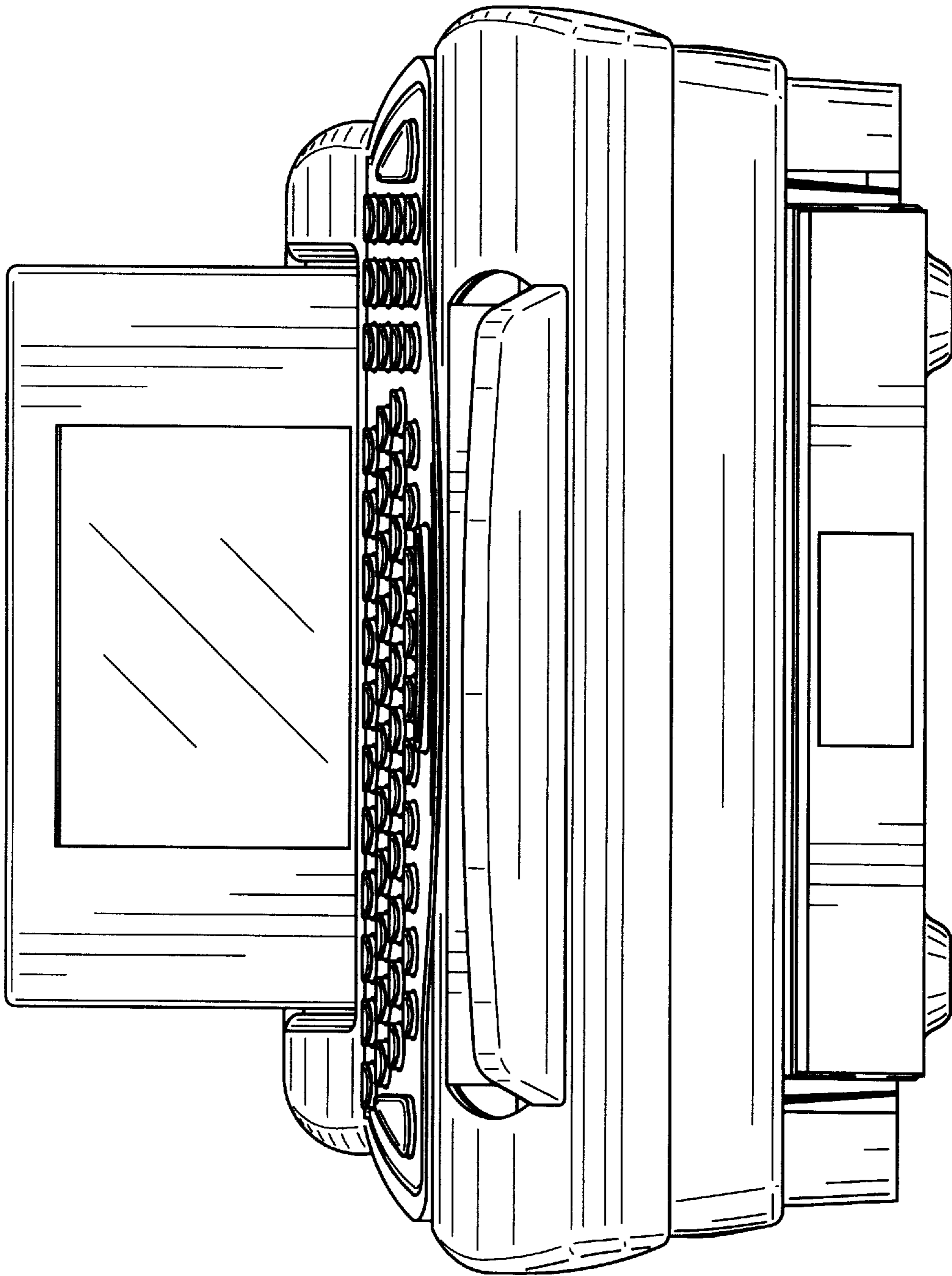


FIG. 4

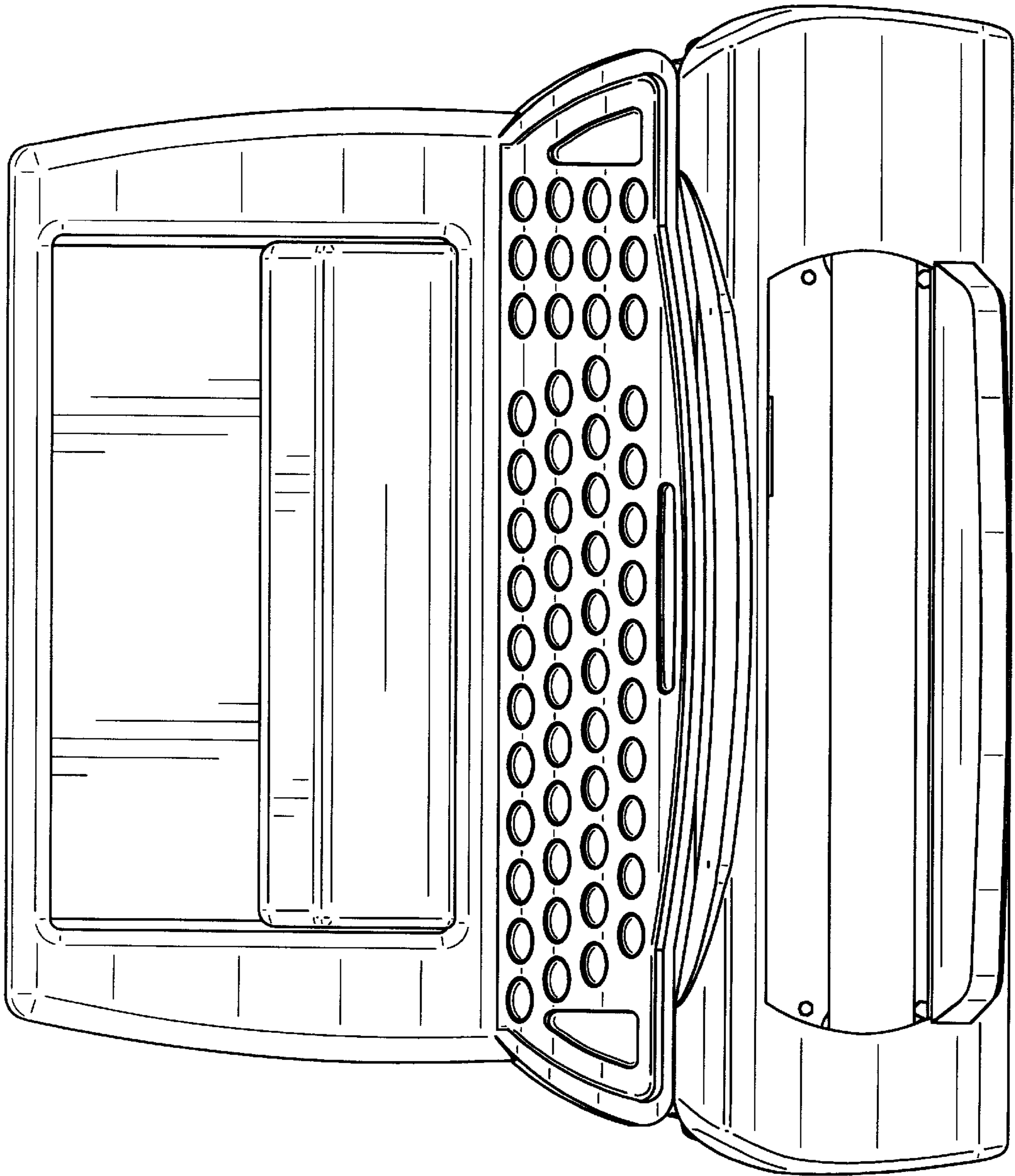


FIG. 5

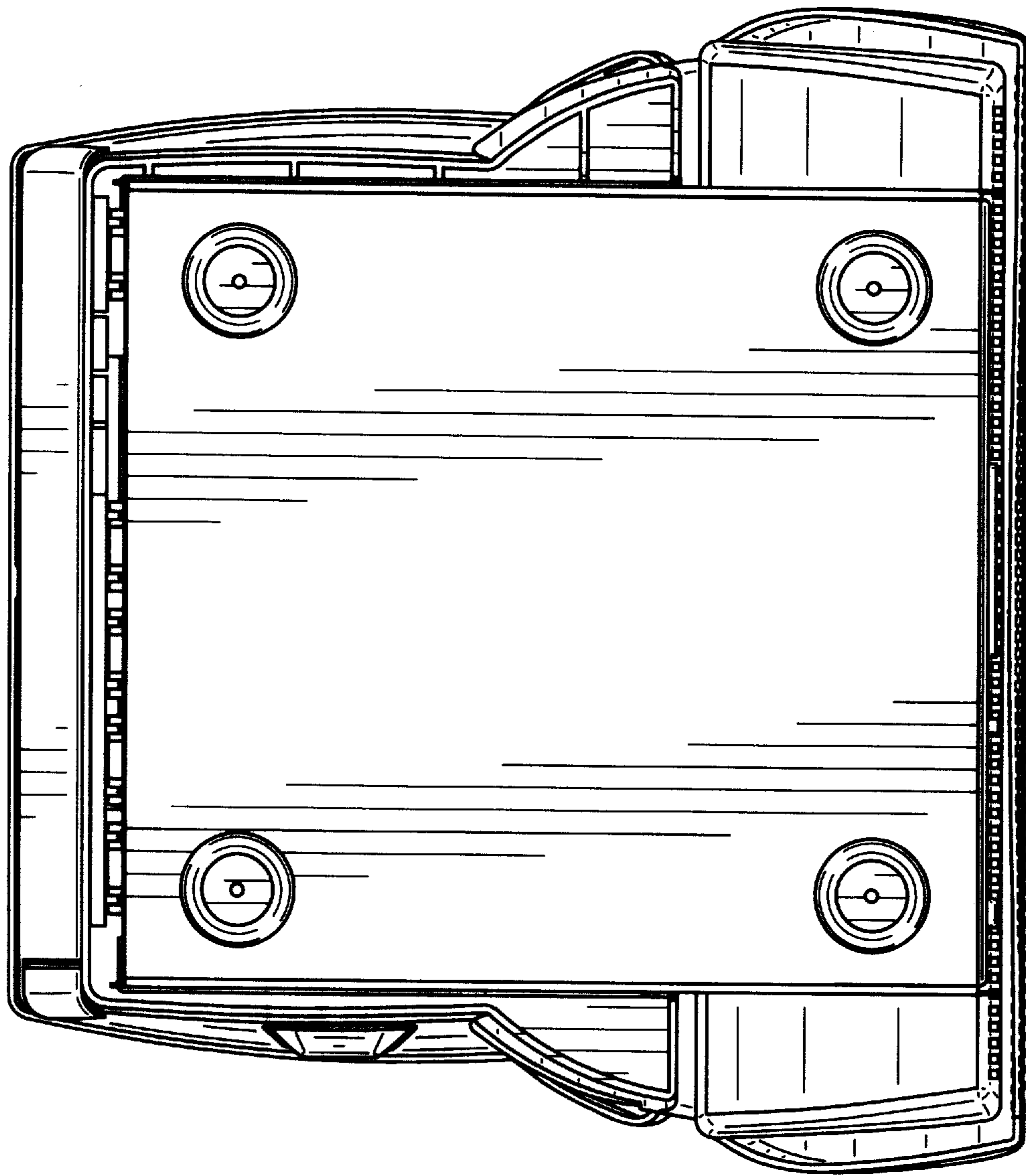


FIG. 6

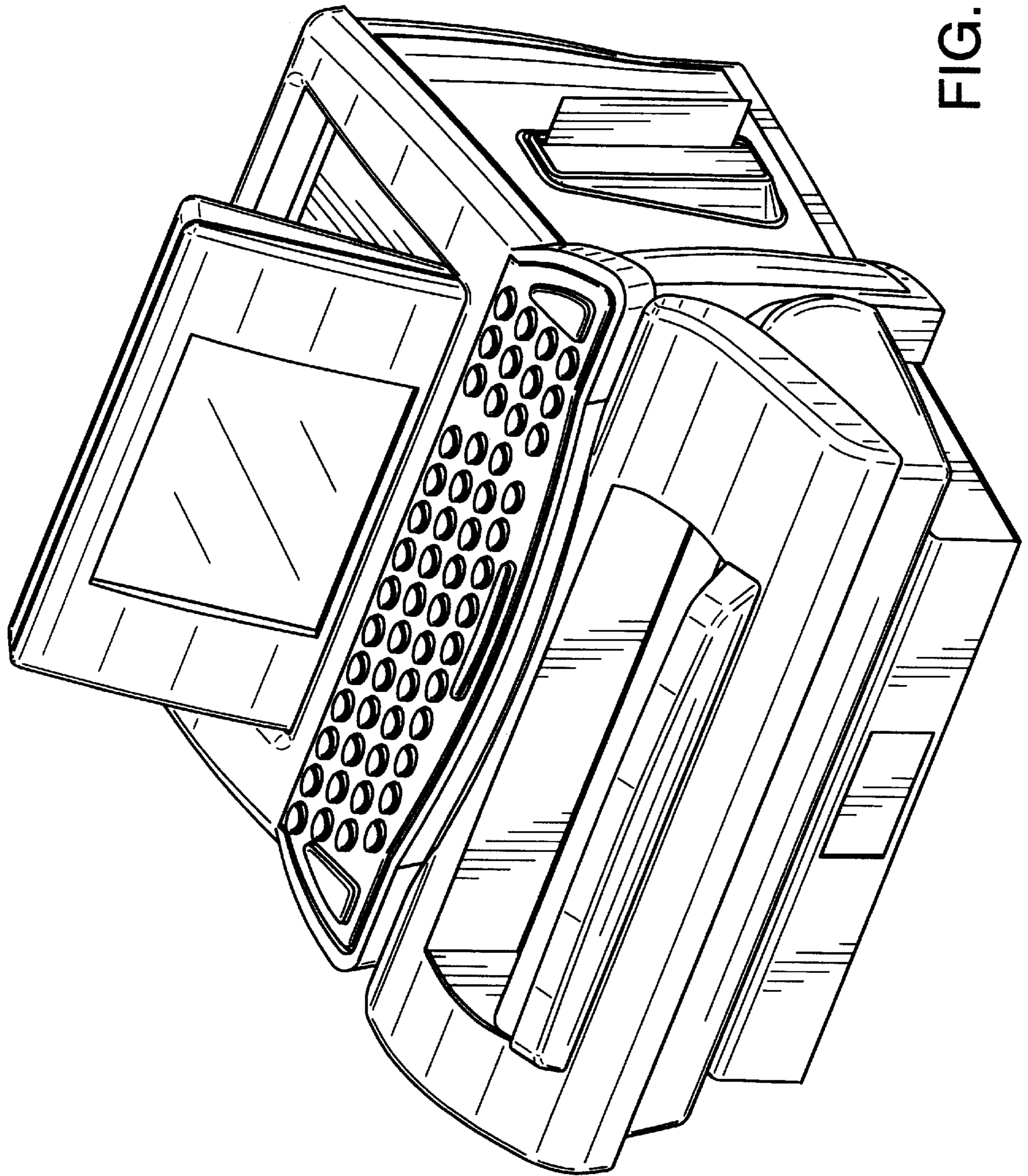


FIG. 7