



US00D430157S

United States Patent [19]

Price

[11] **Patent Number: Des. 430,157**

[45] **Date of Patent: ** Aug. 29, 2000**

[54] **HINGED HOUSING FOR ELECTRONIC DEVICES**

[75] Inventor: **Scott D. Price**, Lebanon, N.J.

[73] Assignee: **Ingersoll-Rand Company**, Woodcliff Lake, N.J.

[**] Term: **14 Years**

[21] Appl. No.: **29/114,711**

[22] Filed: **Nov. 30, 1999**

[51] **LOC (7) Cl.** **14-02**

[52] **U.S. Cl.** **D14/341**

[58] **Field of Search** D14/345, 341, D14/346; D18/1, 7; 235/145 A, 145 R; 345/156, 168, 169, 172, 173; 340/815.4; 361/680; D13/168; 312/223.2

[56] **References Cited**

U.S. PATENT DOCUMENTS

D. 302,549 8/1989 Wright D14/345

D. 308,359 6/1990 Lauchnor et al. D13/168
4,984,706 1/1991 Cadwell et al. 312/223.2
5,202,817 4/1993 Koenck et al. 361/680
5,973,607 10/1999 Munyon 340/815.4

Primary Examiner—Freda Nunn
Attorney, Agent, or Firm—Leon Nigohosian, Jr.

[57] **CLAIM**

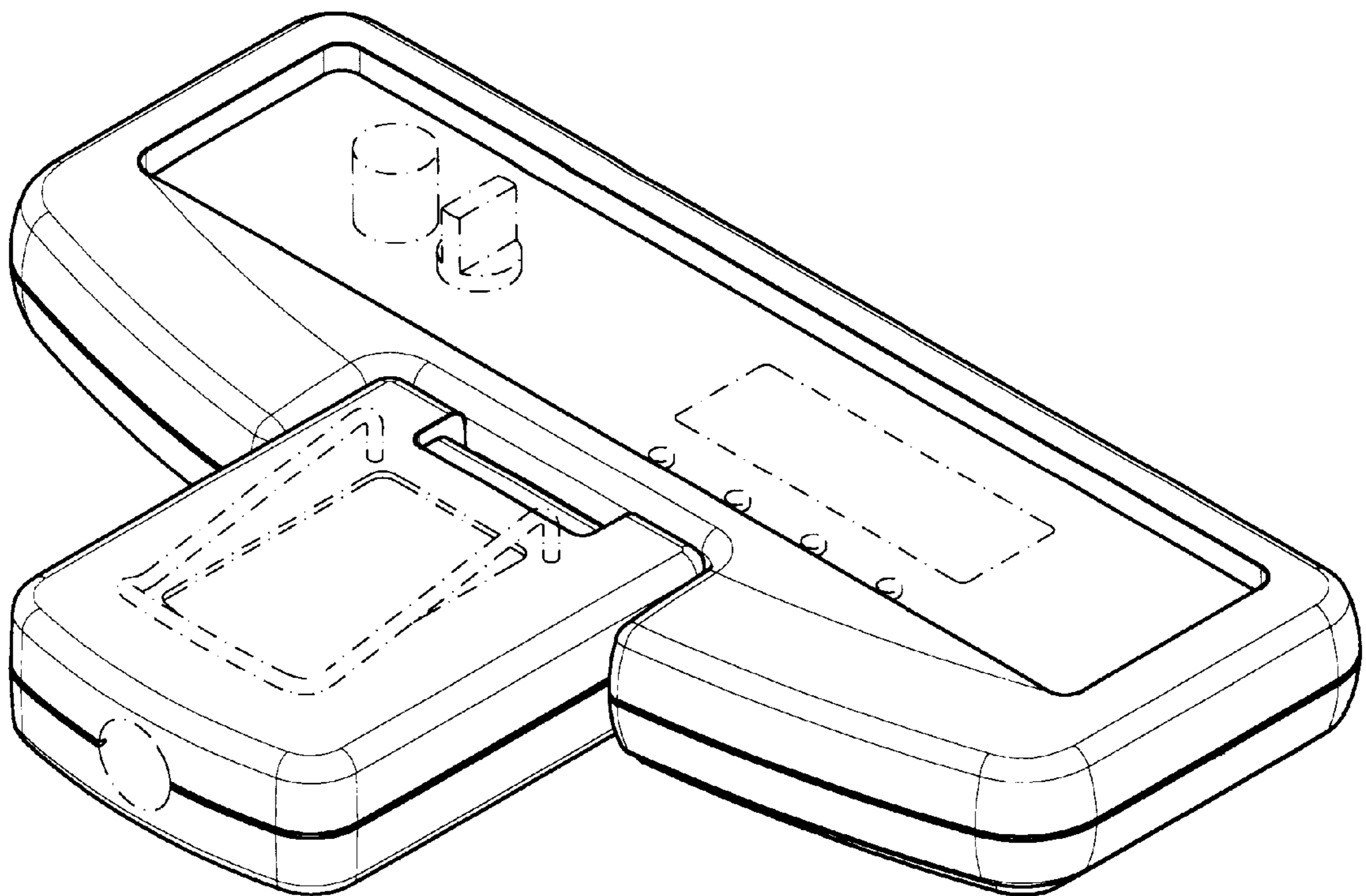
The ornamental design for a hinged housing for electronic devices, as shown and described.

DESCRIPTION

FIG. 1 is a top perspective view of a hinged housing for electronic devices showing my design; FIG. 2 is a top view of FIG. 1; FIG. 3 is a front view of FIG. 1; FIG. 4 is a left side view of FIG. 1; FIG. 5 is a right side view of FIG. 1; FIG. 6 is a rear view of FIG. 1; and, FIG. 7 is a bottom view of FIG. 1.

The broken lines are shown in the views for illustrative purposes only and form no part of the claimed design.

1 Claim, 3 Drawing Sheets



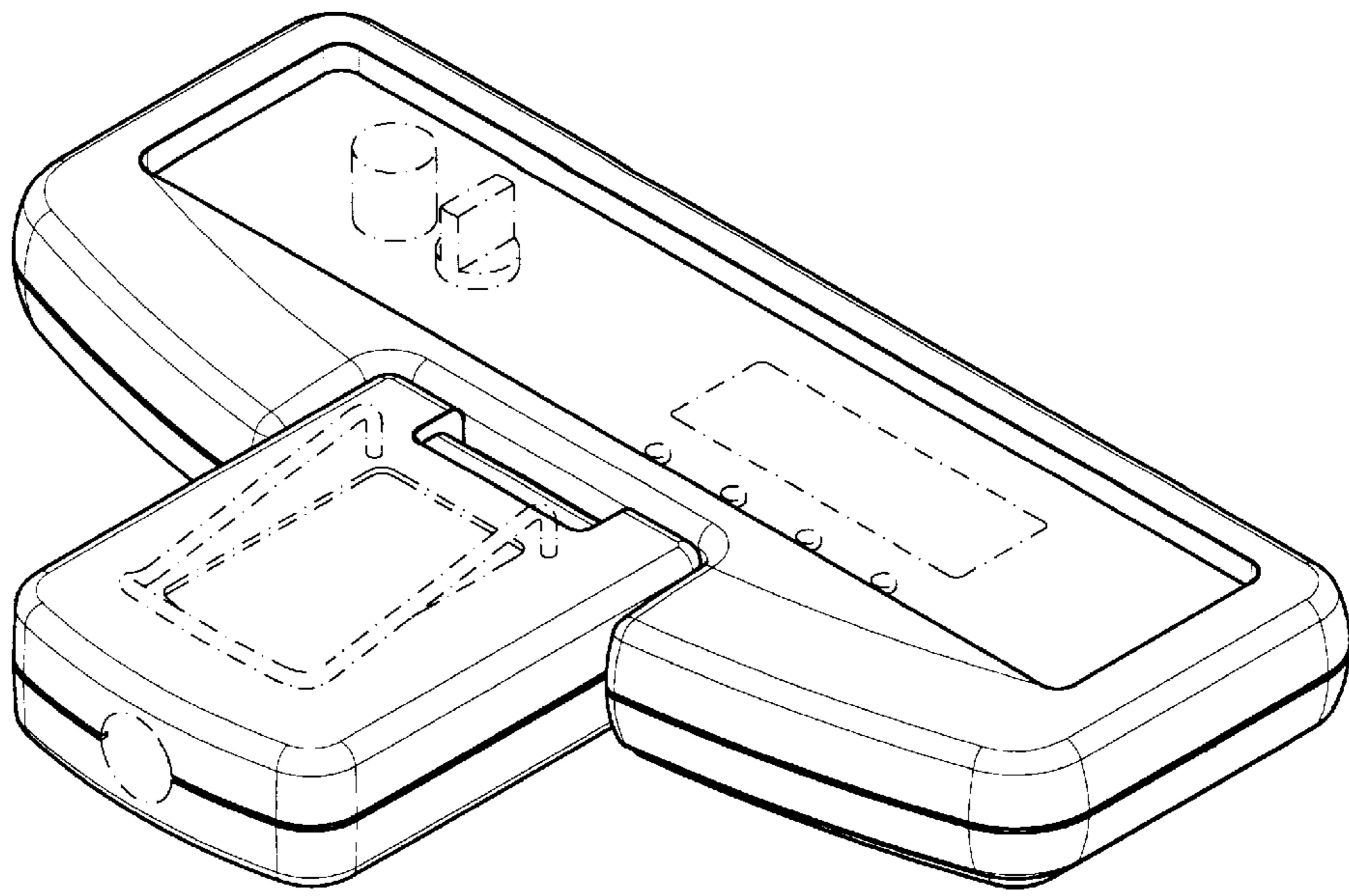


Fig. 1

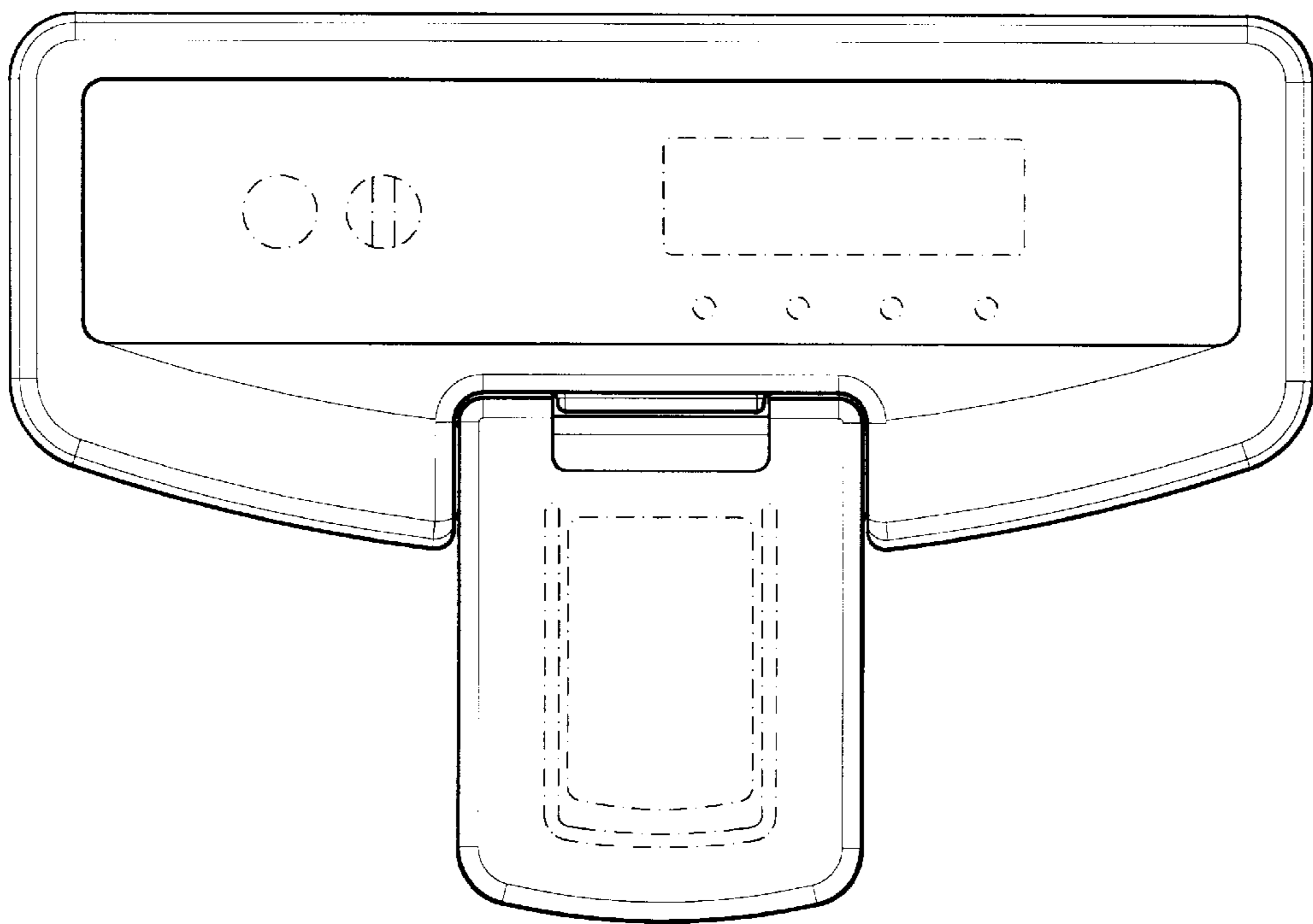


Fig. 2

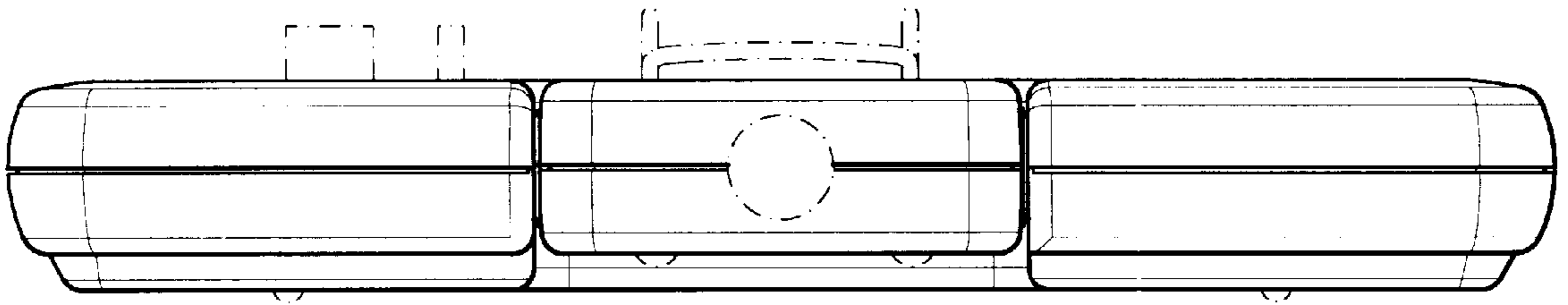


Fig. 3

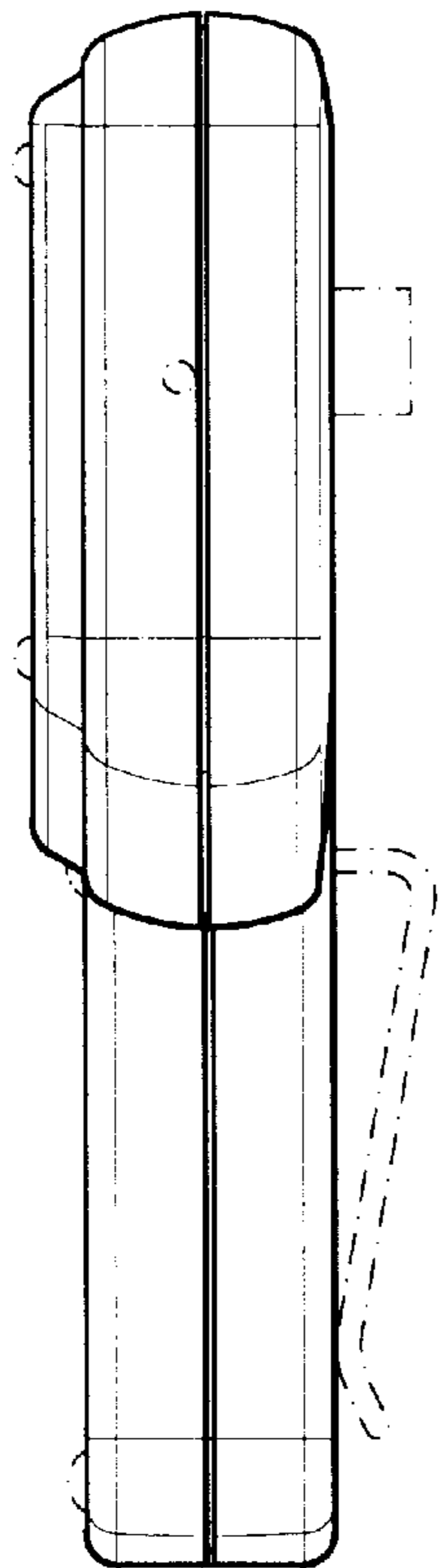


Fig. 4

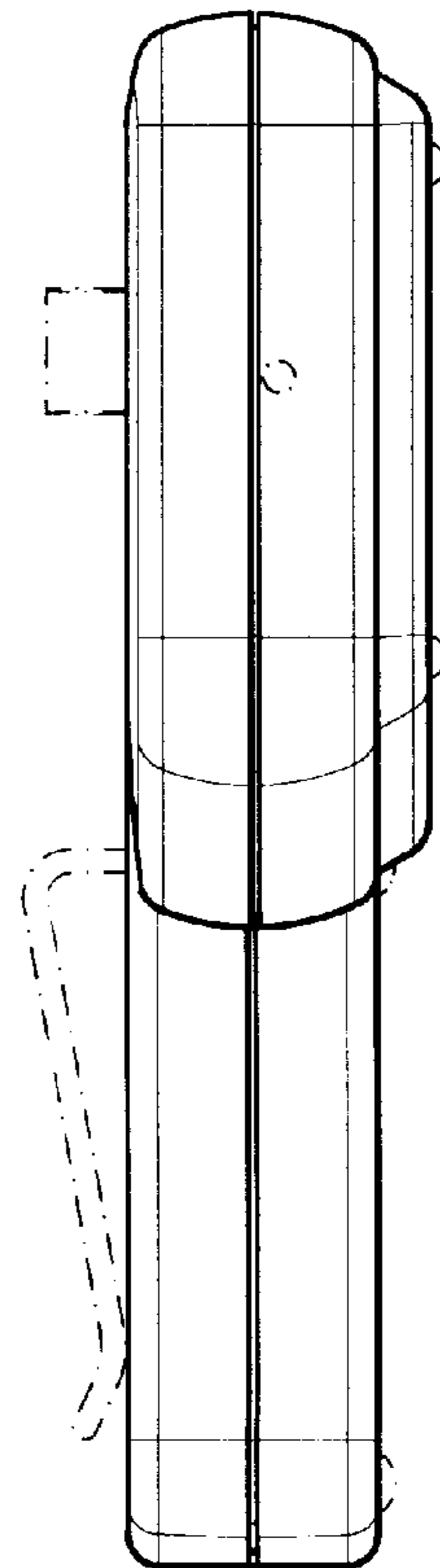


Fig. 5

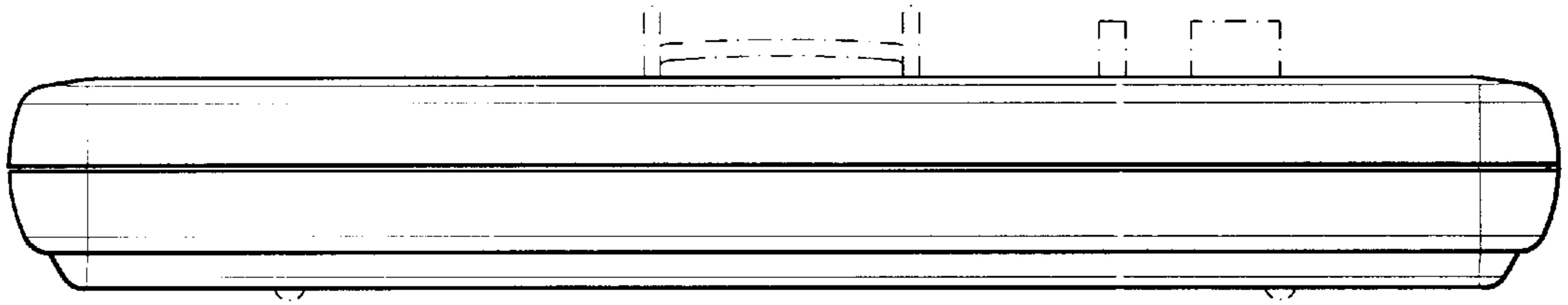


Fig. 6

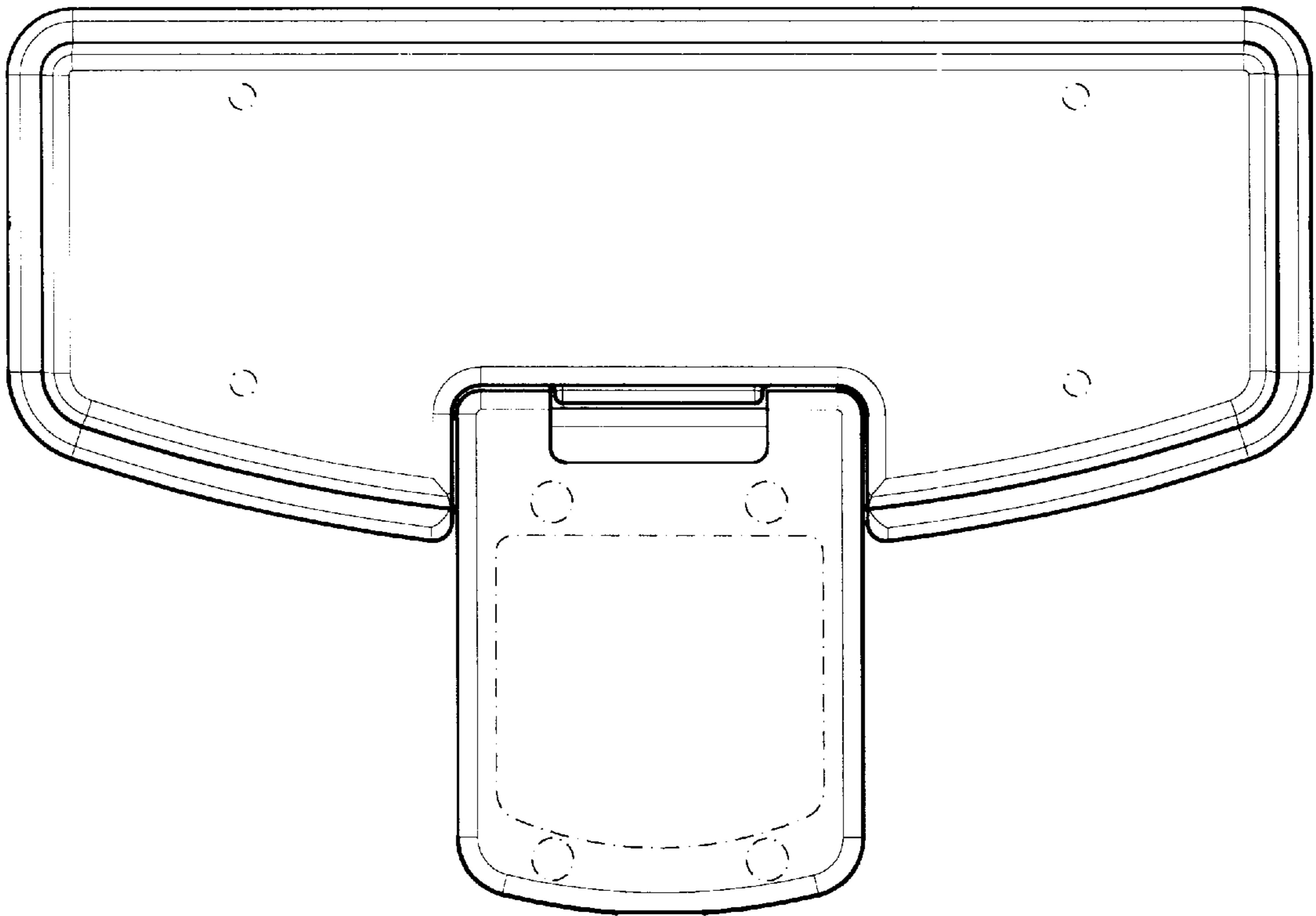


Fig. 7