



US00D430156S

United States Patent [19] Yamada

[11] Patent Number: Des. 430,156

[45] Date of Patent: ** Aug. 29, 2000

[54] **PORTABLE COMPUTER**

[75] Inventor: **Kunio Yamada**, Hyogo, Japan

[73] Assignee: **Matsushita Electric Industrial Co., Ltd.**, Japan

[**] Term: **14 Years**

[21] Appl. No.: **29/117,204**

[22] Filed: **Jan. 18, 2000**

[30] **Foreign Application Priority Data**

Aug. 26, 1999 [JP] Japan 11-23131

[51] **LOC (7) Cl.** **14-02**

[52] **U.S. Cl.** **D14/328**

[58] **Field of Search** D14/318, 322, D14/324, 328, 343; D18/1, 2, 7; D3/274; 206/570; 235/145 A, 145 R; 341/22, 23; 345/104, 156, 168, 173; 361/680-686; 364/708.1; 400/486, 489

[56] **References Cited**

U.S. PATENT DOCUMENTS

D. 334,738	4/1993	Kim	D14/324
D. 344,074	2/1994	Collins	D3/274
D. 388,403	12/1997	Tochishita	D14/318
D. 392,626	3/1998	Kamata et al.	D14/318
4,194,628	3/1980	Campos	206/570

OTHER PUBLICATIONS

Getac's model A-series computer, issued before Aug. 26, 1999.

Itronix's model X-C 6250 computer, issued before Aug. 26, 1999.

Primary Examiner—Freda Nunn
Attorney, Agent, or Firm—Saidman DesignLaw Group

[57] **CLAIM**

The ornamental design for a portable computer, as shown and described.

DESCRIPTION

FIG. 1 is a perspective view of the top, front and right side of a portable computer showing my new design; FIG. 2 is a front elevational view thereof; FIG. 3 is a rear elevational view thereof; FIG. 4 is a left side elevational view thereof; FIG. 5 is a right side elevational view thereof; FIG. 6 is a top plan view thereof; FIG. 7 is a bottom view thereof; FIG. 8 is a perspective view of top, rear and left side thereof with the handle in standing position; FIG. 9 is a perspective view similar to FIG. 1 with the antenna in standing position; and, FIG. 10 is a perspective view of top, rear and right side thereof with the lid in closed condition.

1 Claim, 10 Drawing Sheets

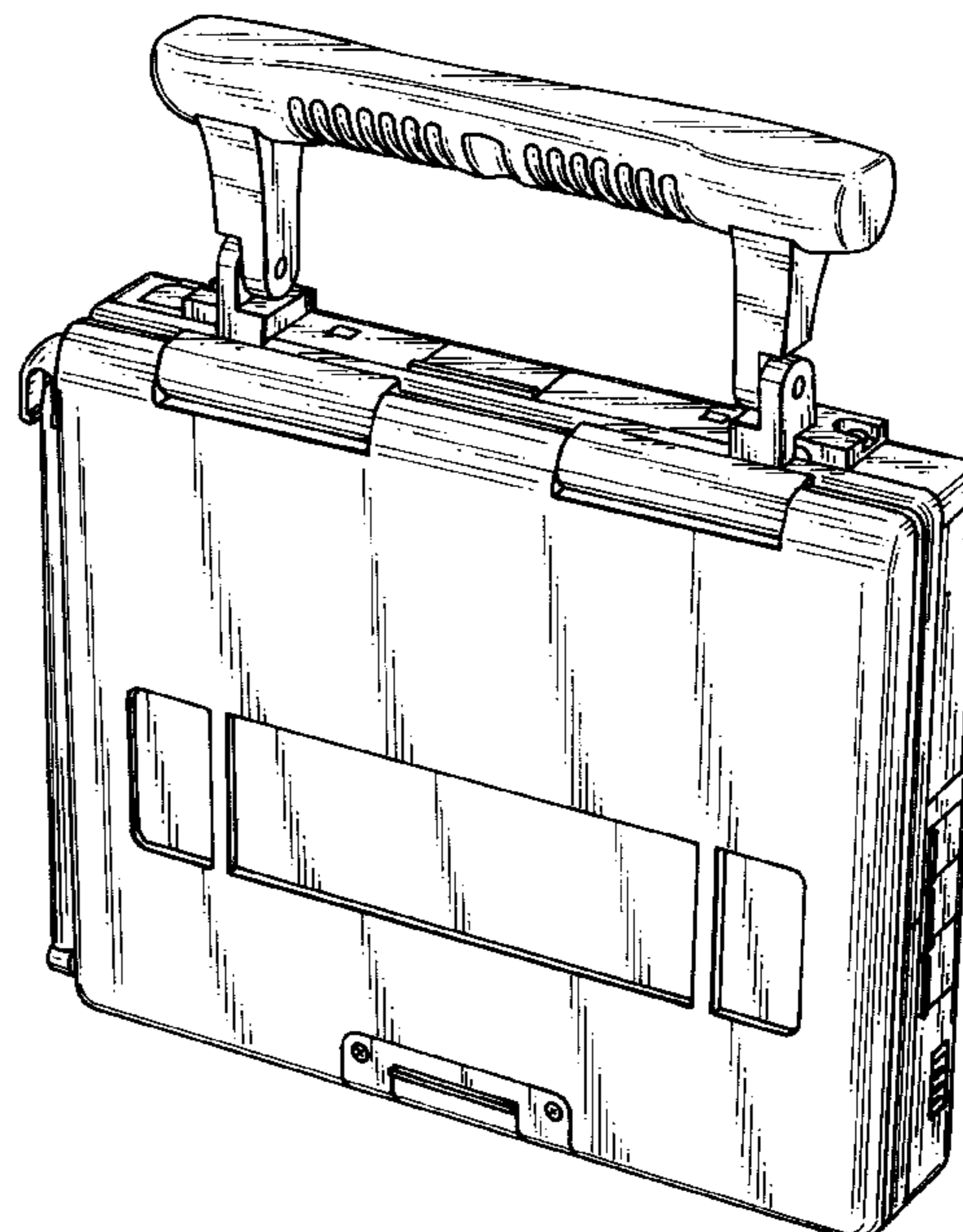
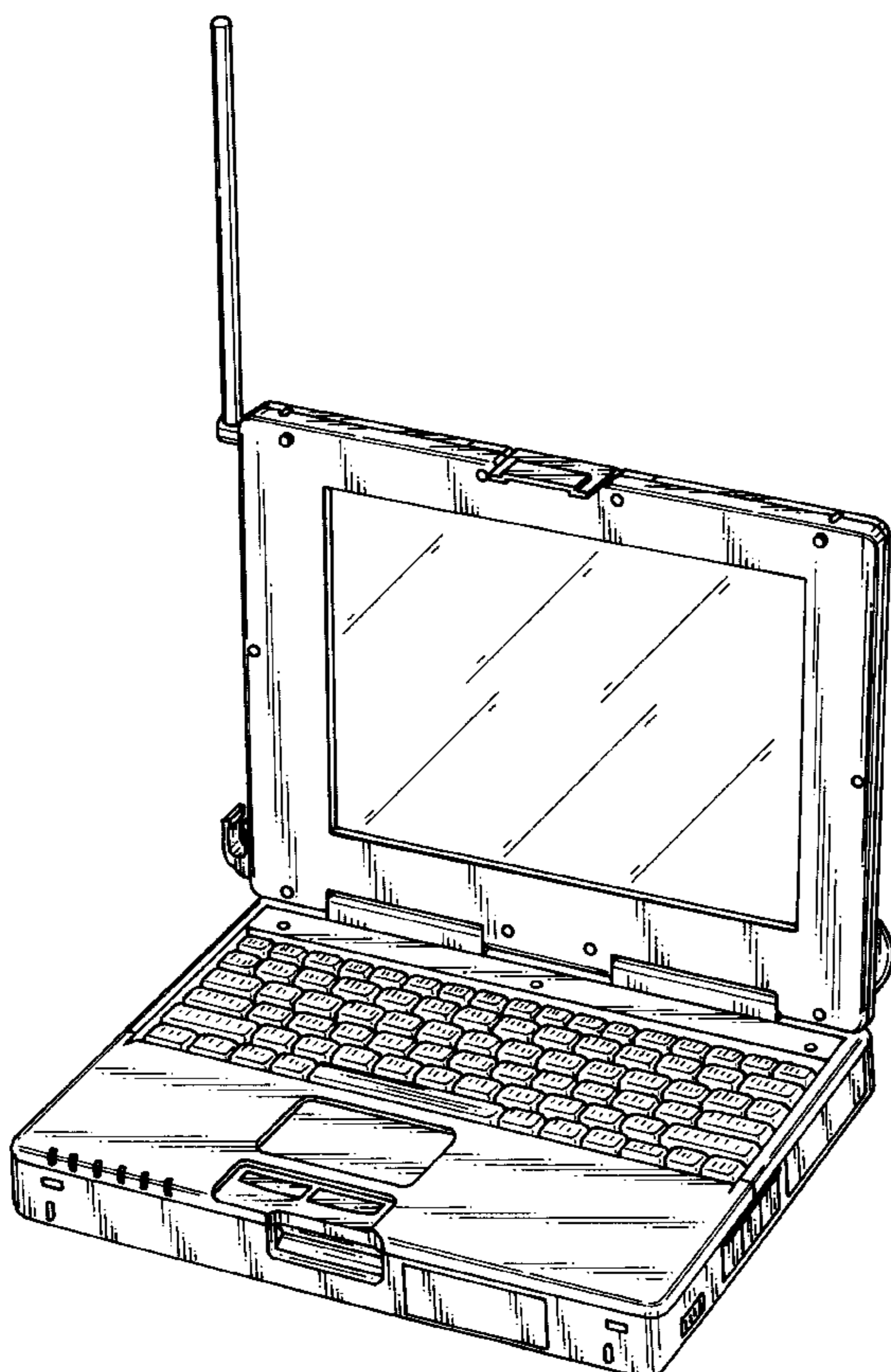


Fig. 1

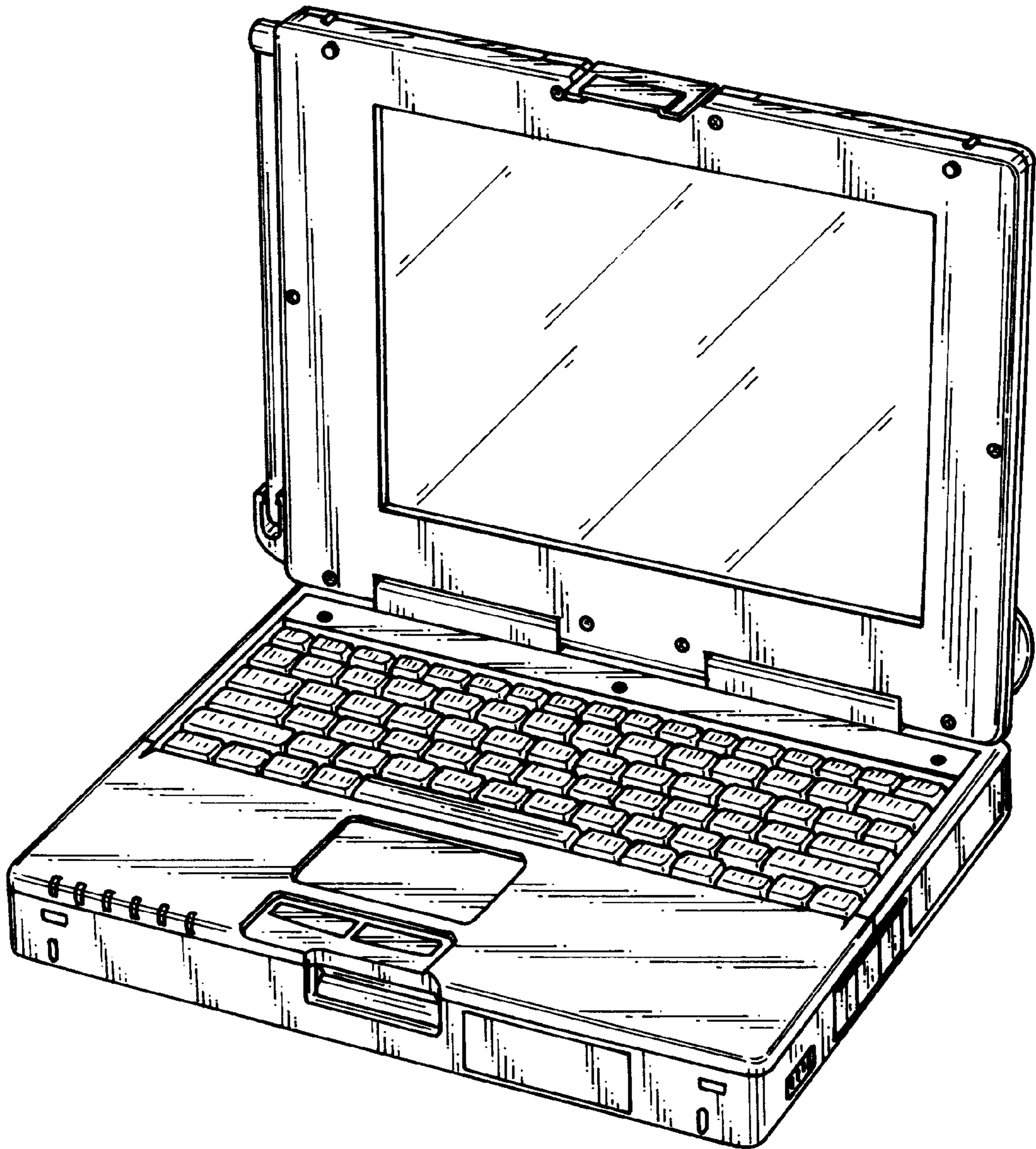


Fig. 2

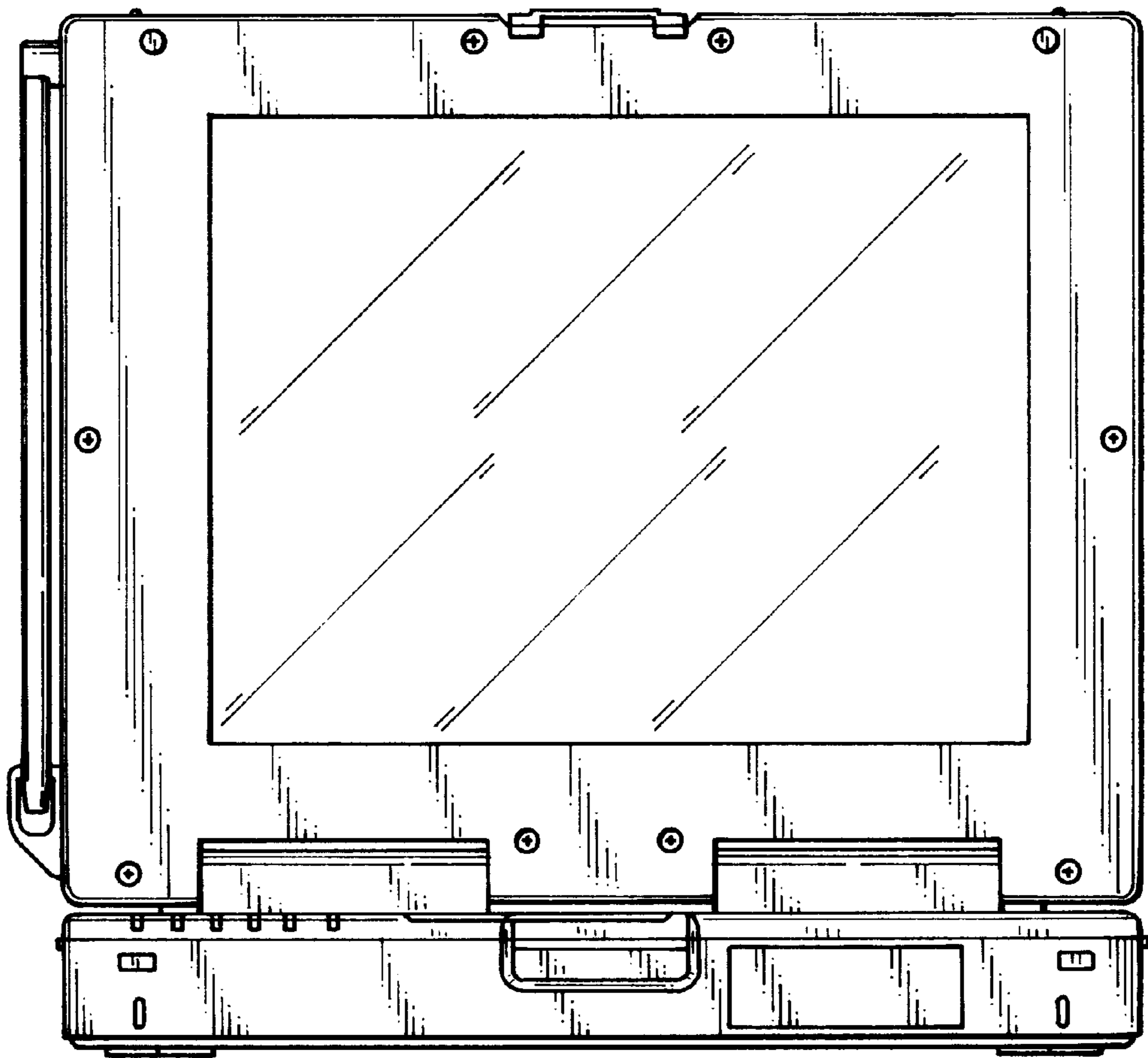


Fig. 3

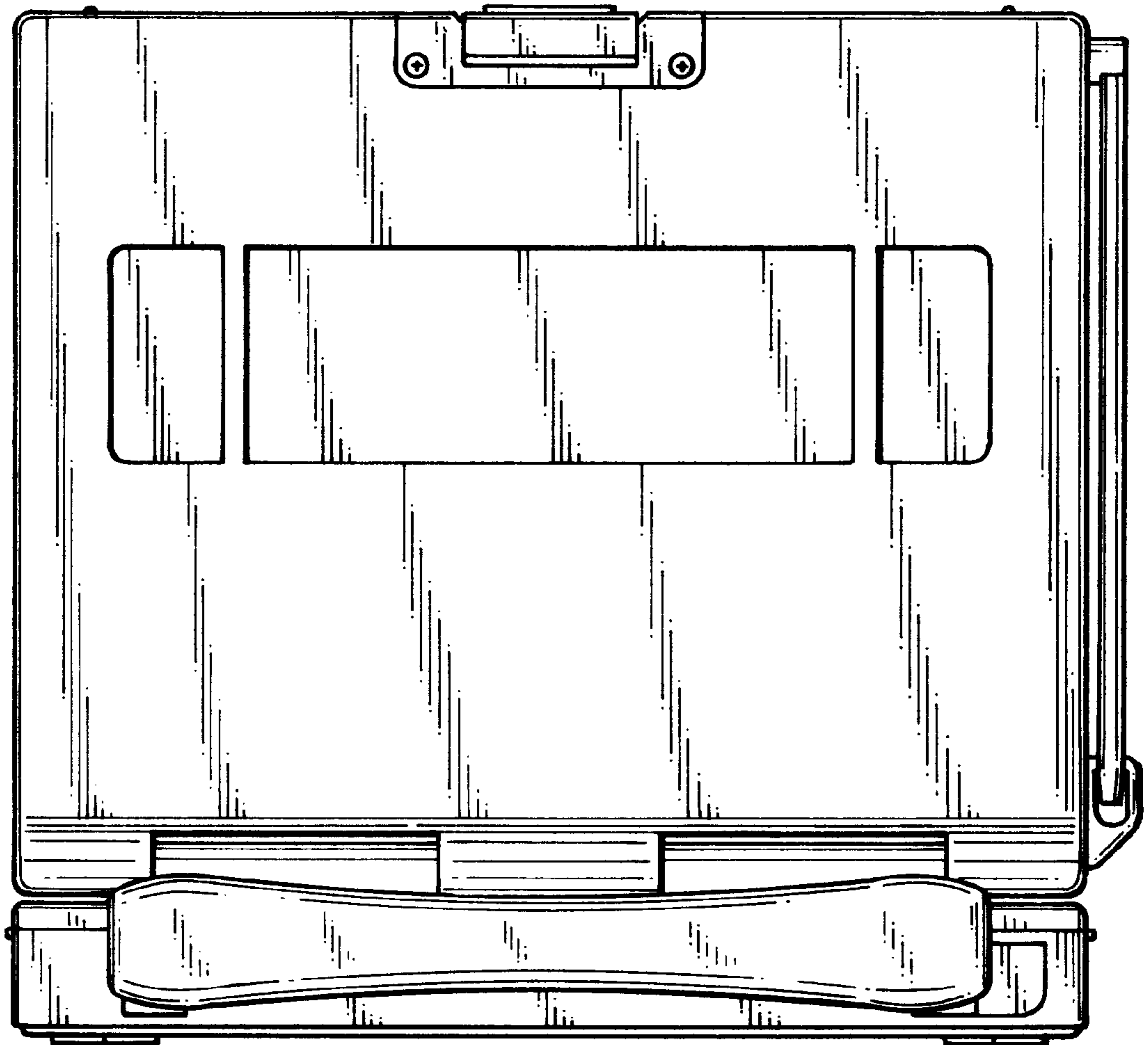


Fig. 4

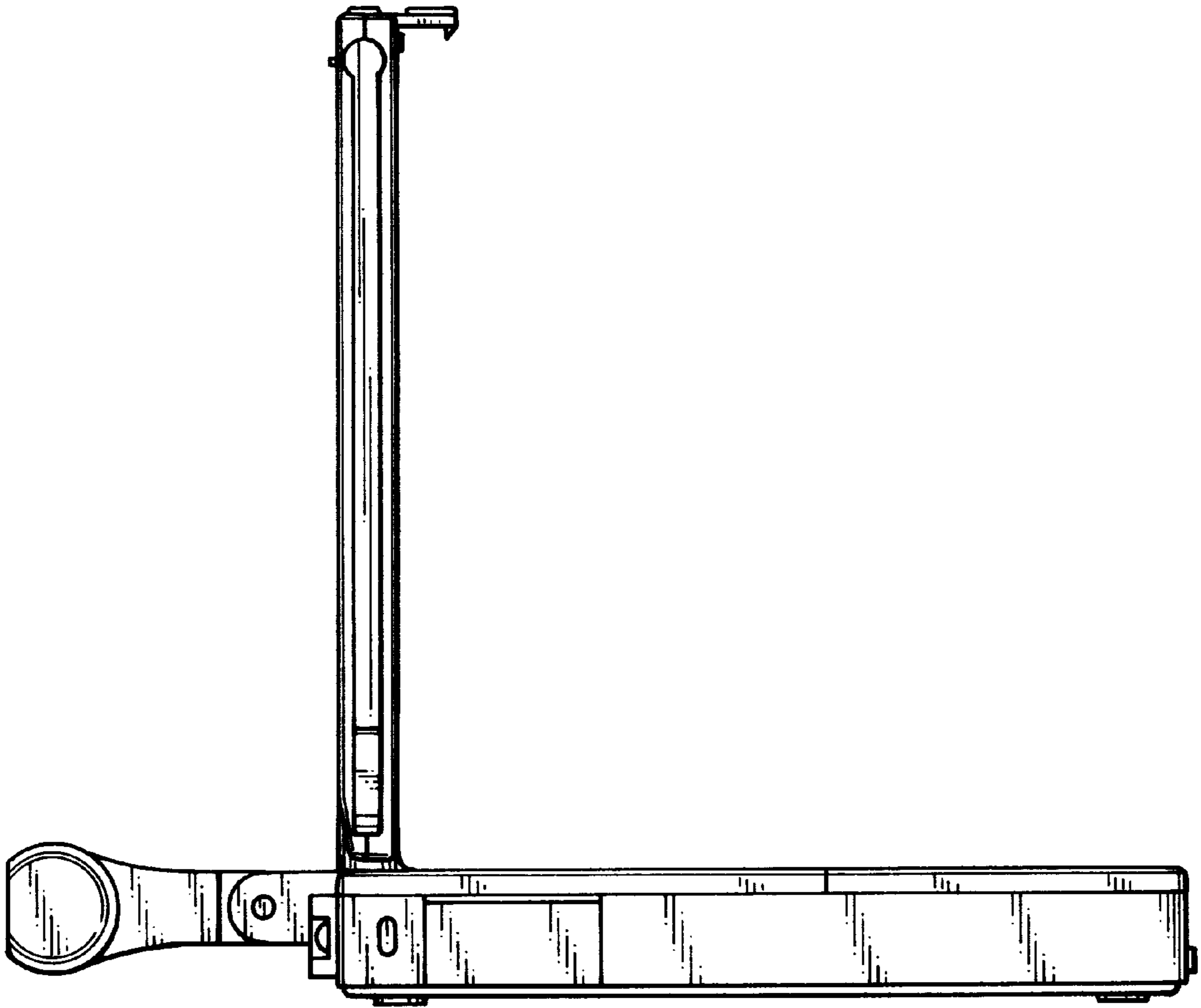


Fig. 5

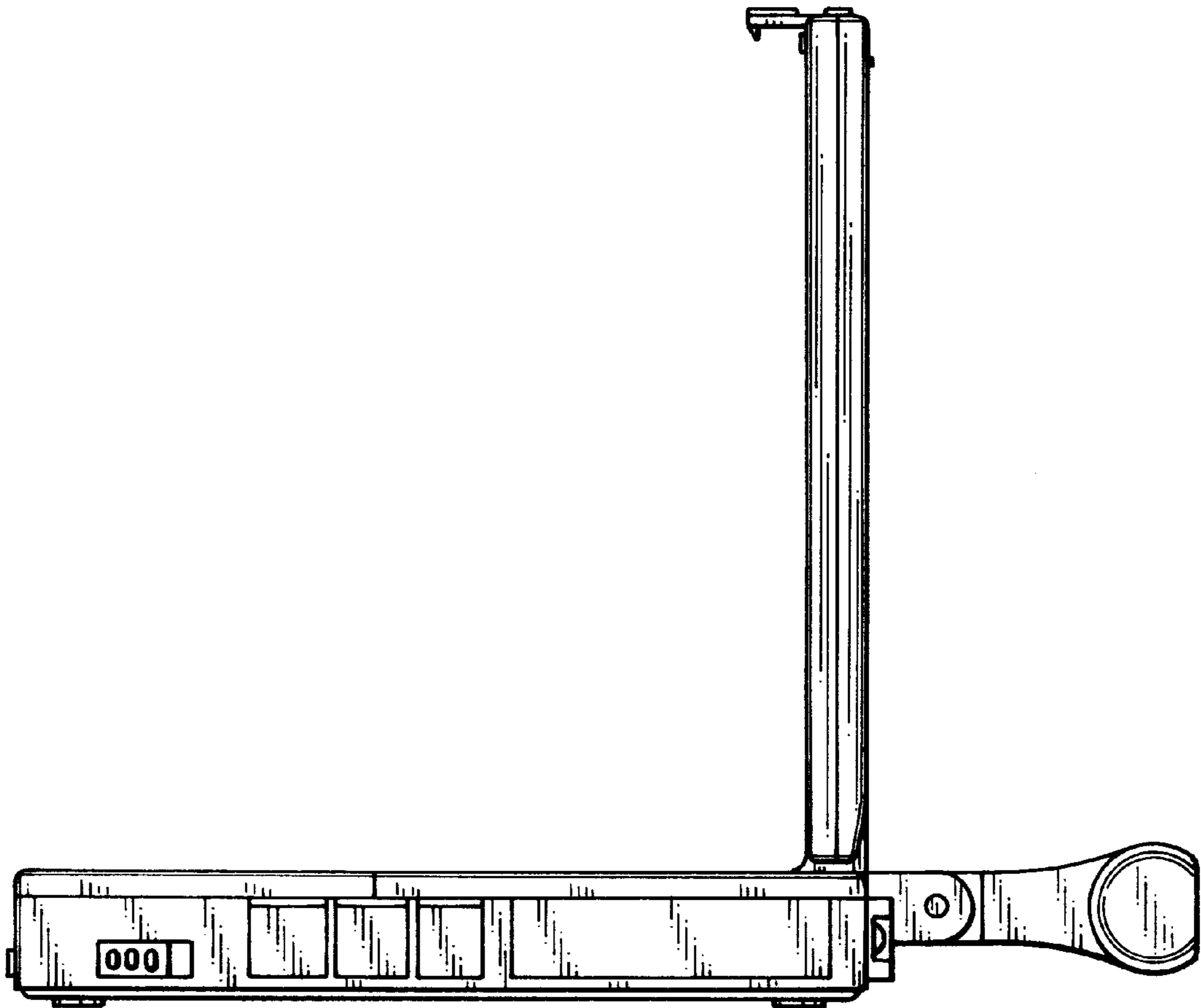


Fig. 6

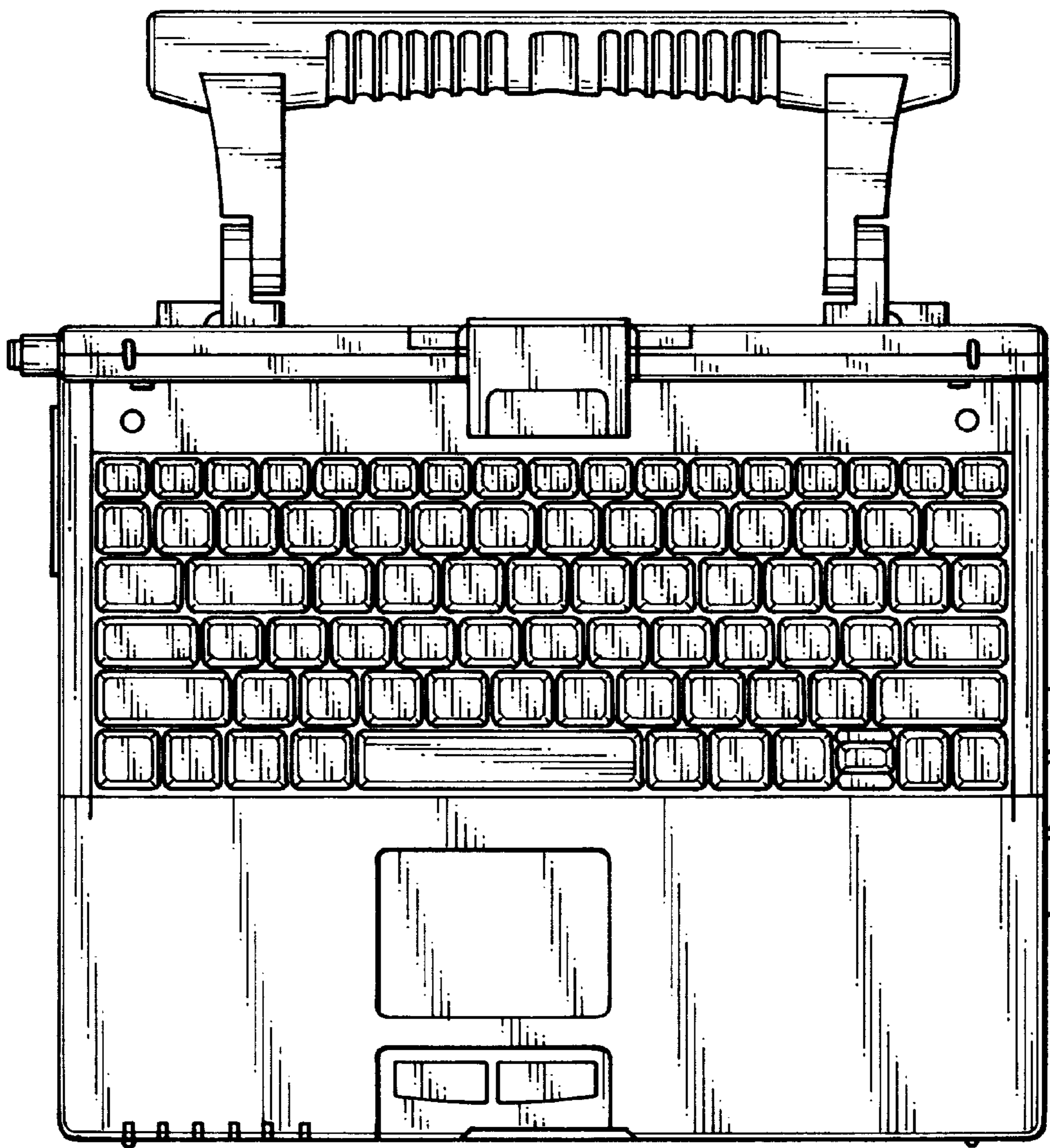


Fig. 7

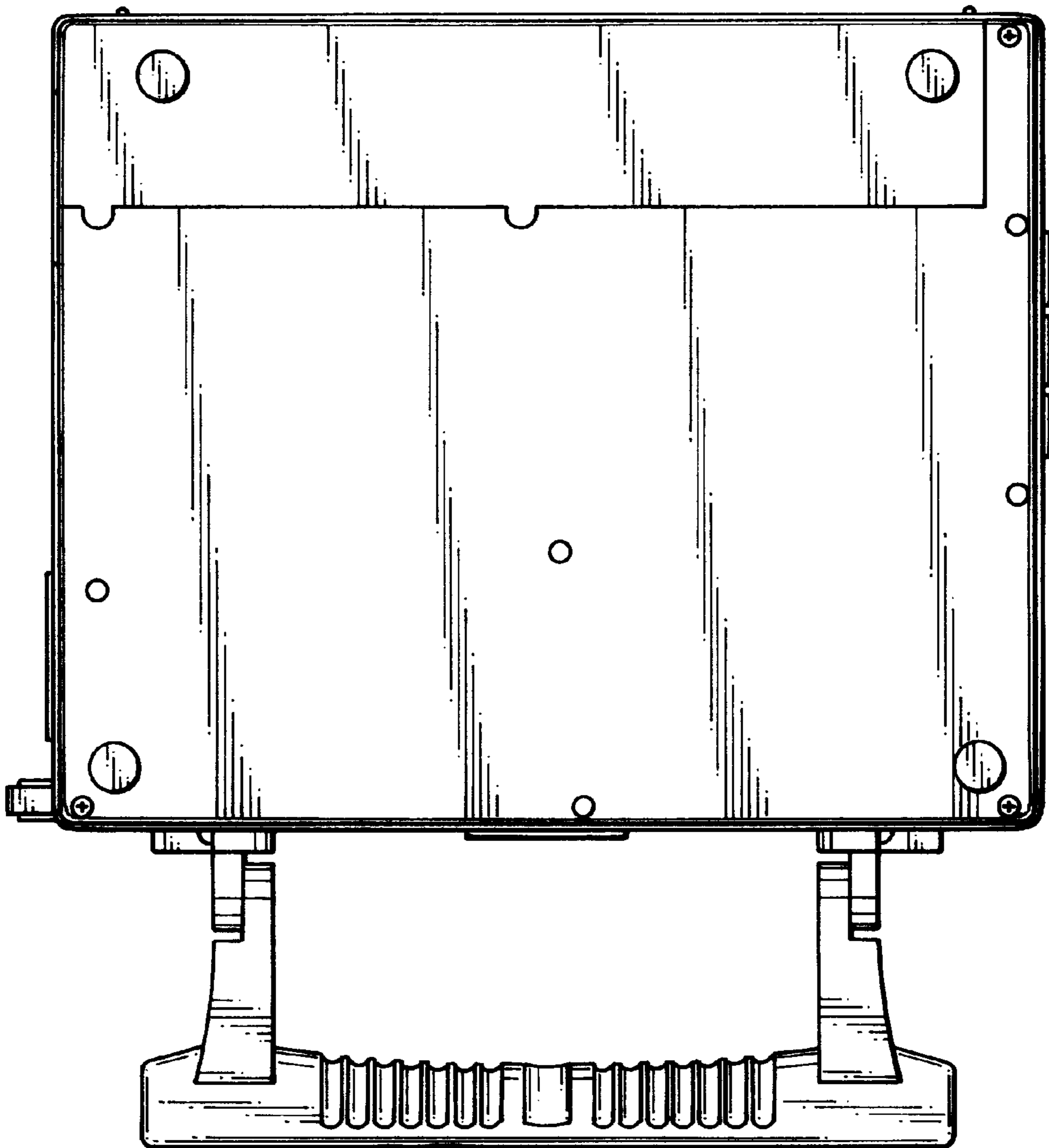


Fig. 8

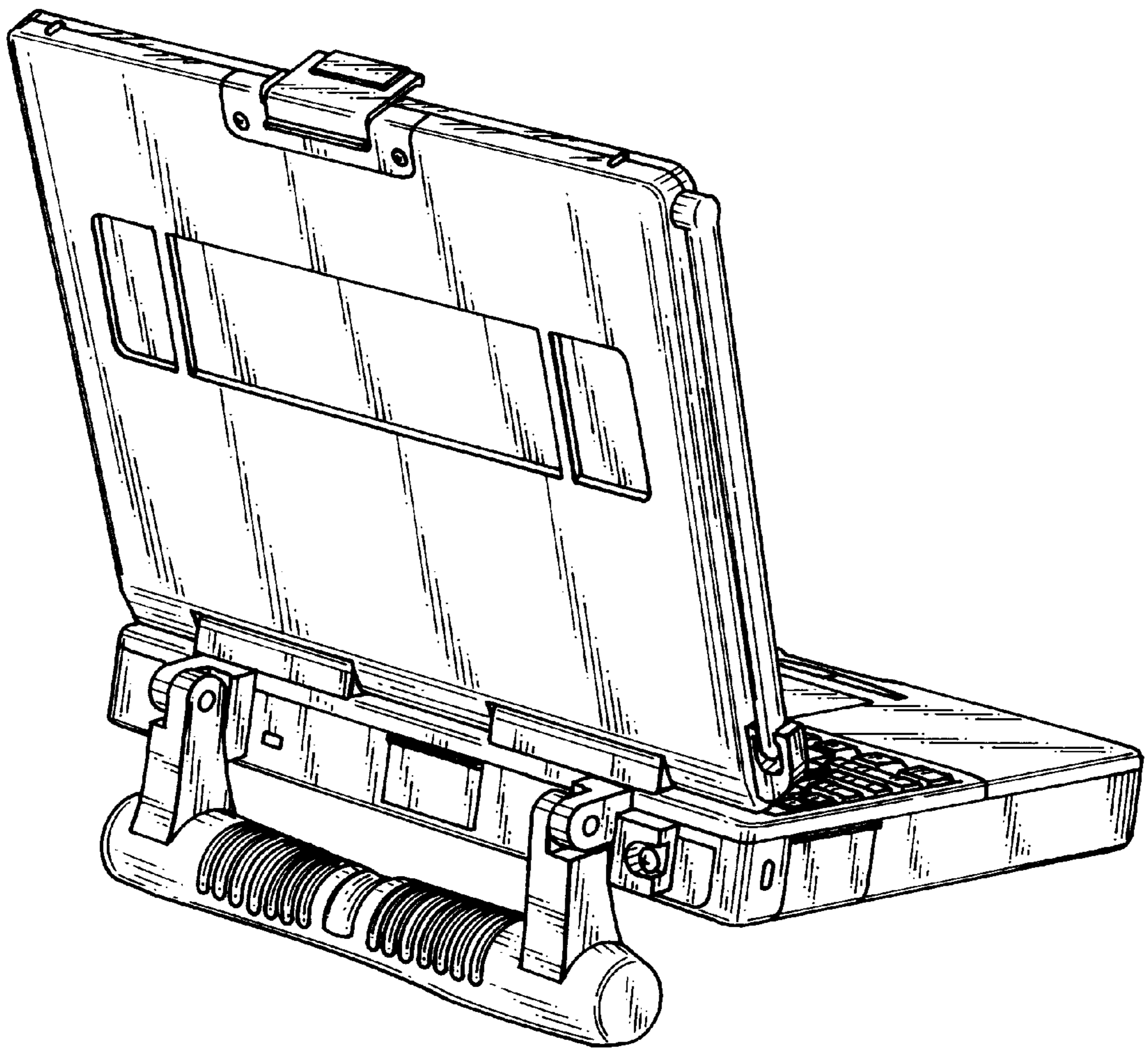


Fig. 9

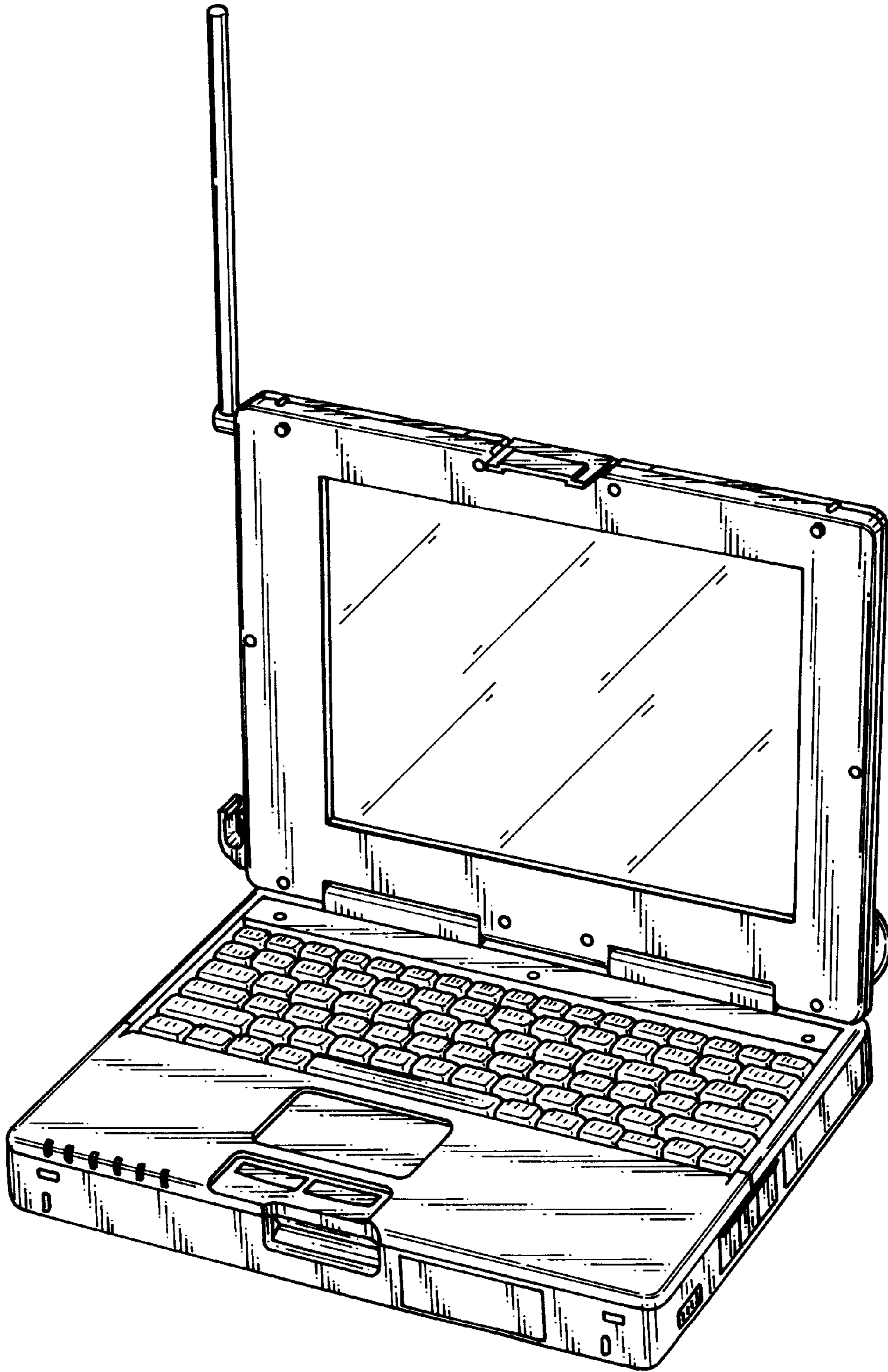


Fig. 10

