



US00D430150S

# United States Patent [19]

Zeiger et al.

[11] Patent Number: Des. 430,150

[45] Date of Patent: \*\* Aug. 29, 2000

[54] LIQUID CRYSTAL DISPLAY FOR A MODEM ENCLOSURE

[75] Inventors: David R. Zeiger, Palatine; Kevin J. Schechtel, Arlington Heights; David J. Galovich, Roselle; Kathleen A. Stunkel, Arlington Heights, all of Ill.

[73] Assignee: 3Com Corporation, Rolling Meadows, Ill.

[\*\*] Term: 14 Years

[21] Appl. No.: 29/110,078

[22] Filed: Aug. 30, 1999

[51] LOC (7) Cl. .... 14-03

[52] U.S. Cl. .... D14/242; D14/240; D14/247

[58] Field of Search ..... D14/137, 140, D14/142, 107, 114, 240, 242, 141, 149, 150, 118, 217, 247, 257, 399-401, 341, 356-358; 361/686; 379/419, 420, 428, 440, 441, 442; 455/550-575, 90; D10/40, 2, 15; D13/110, 162, 164, 184; 349/58; 375/222, 223, 220, 225

### [56] References Cited

#### U.S. PATENT DOCUMENTS

- D. 293,780 1/1988 Martinez ..... D14/141
- D. 298,618 11/1988 Martinez ..... D14/141
- D. 350,741 9/1994 Chen ..... D14/118

- D. 352,290 11/1994 Rak ..... D14/242
- D. 362,855 10/1995 Bevilacqua et al. .... D14/240
- D. 368,230 3/1996 Cohen et al. .... D10/40
- D. 369,801 5/1996 Hung ..... D14/149
- D. 370,911 6/1996 Mo ..... D14/149
- D. 372,017 7/1996 Suematsu et al. .... D13/110
- D. 372,715 8/1996 Lin ..... D14/217
- D. 377,015 12/1996 Ford et al. .... D14/149
- D. 393,463 4/1998 Beaumont et al. .... D14/149
- D. 401,235 11/1998 Fuke et al. .... D14/149
- D. 401,244 11/1998 Cheng ..... D14/242
- D. 402,664 12/1998 Phillips et al. .... D14/247
- D. 420,675 2/2000 Tennant et al. .... D14/242
- 5,912,967 6/1999 Gaffney et al. .... 379/420

Primary Examiner—Jeffrey Asch  
Attorney, Agent, or Firm—Baniak Nicholas Pine & Gannon

### [57] CLAIM

The ornamental design for a liquid crystal display for a modem enclosure, as shown and described.

### DESCRIPTION

FIG. 1 is a left perspective view of a liquid crystal display for a modem enclosure;  
FIG. 2 is a right perspective view thereof;  
FIG. 3 is a top view thereof; and,  
FIG. 4 is a front view thereof.

The broken line showings of a modem enclosure throughout the drawings are for illustrative purposes only and form no part of the claimed design.

1 Claim, 2 Drawing Sheets

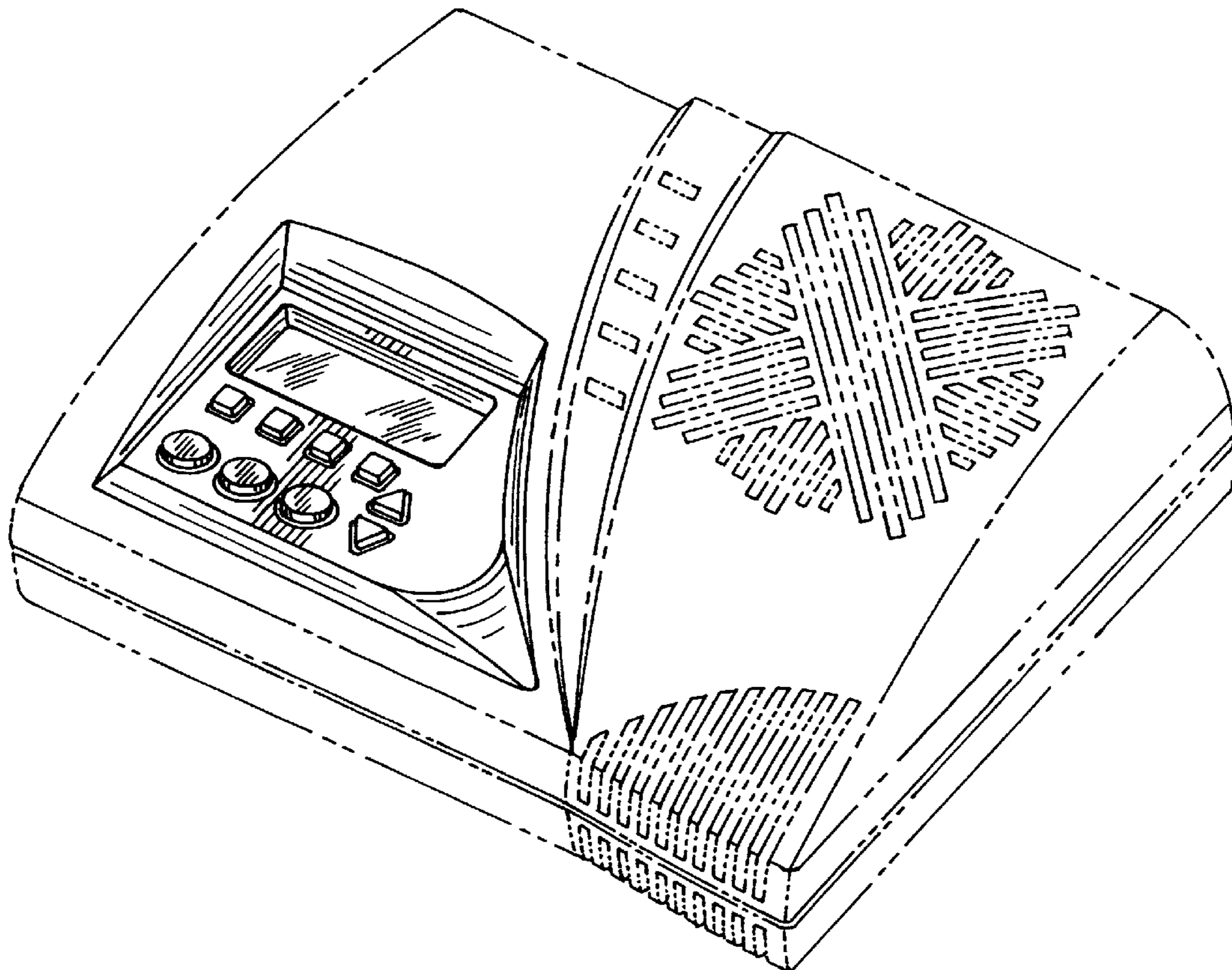


FIG.1

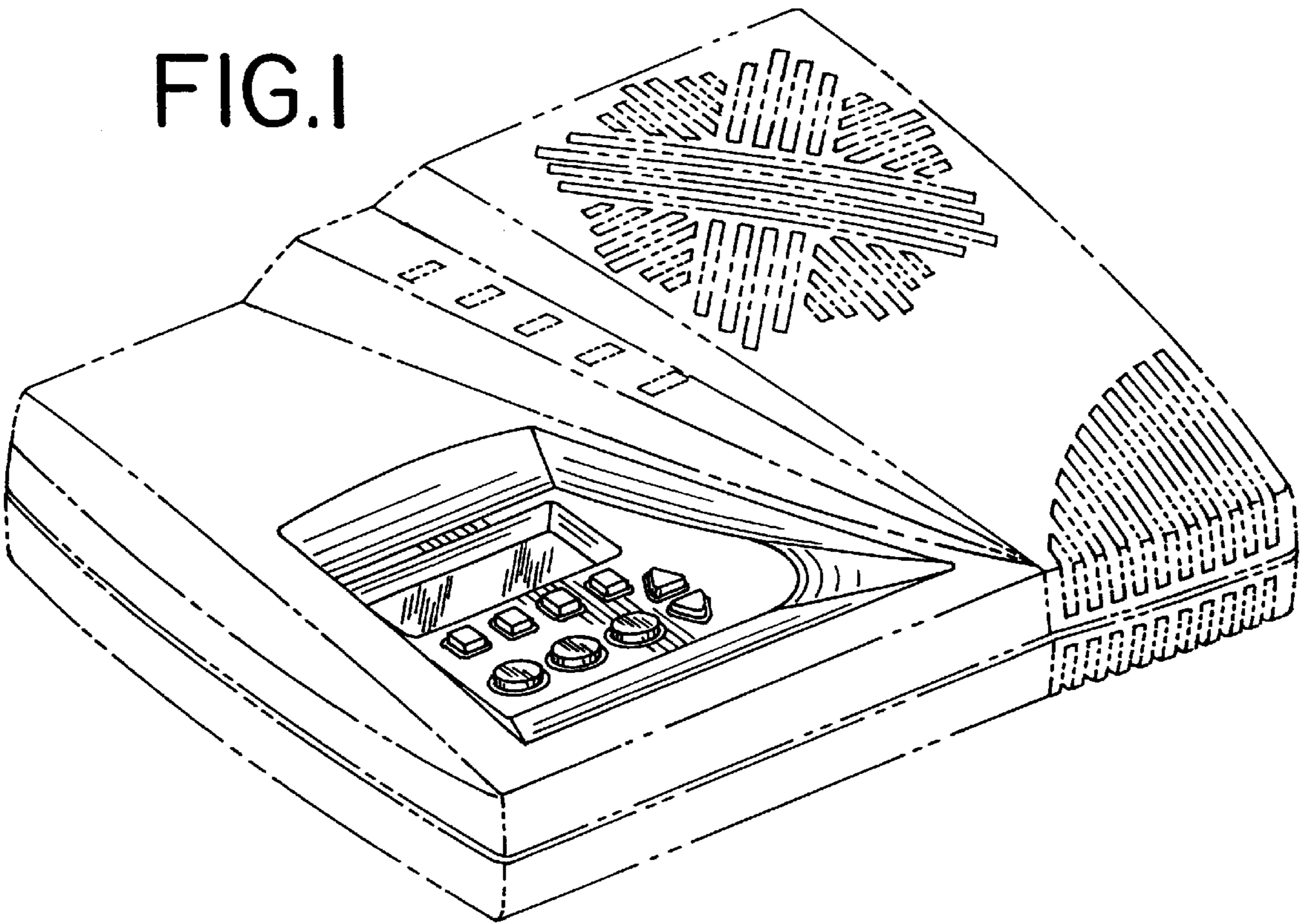
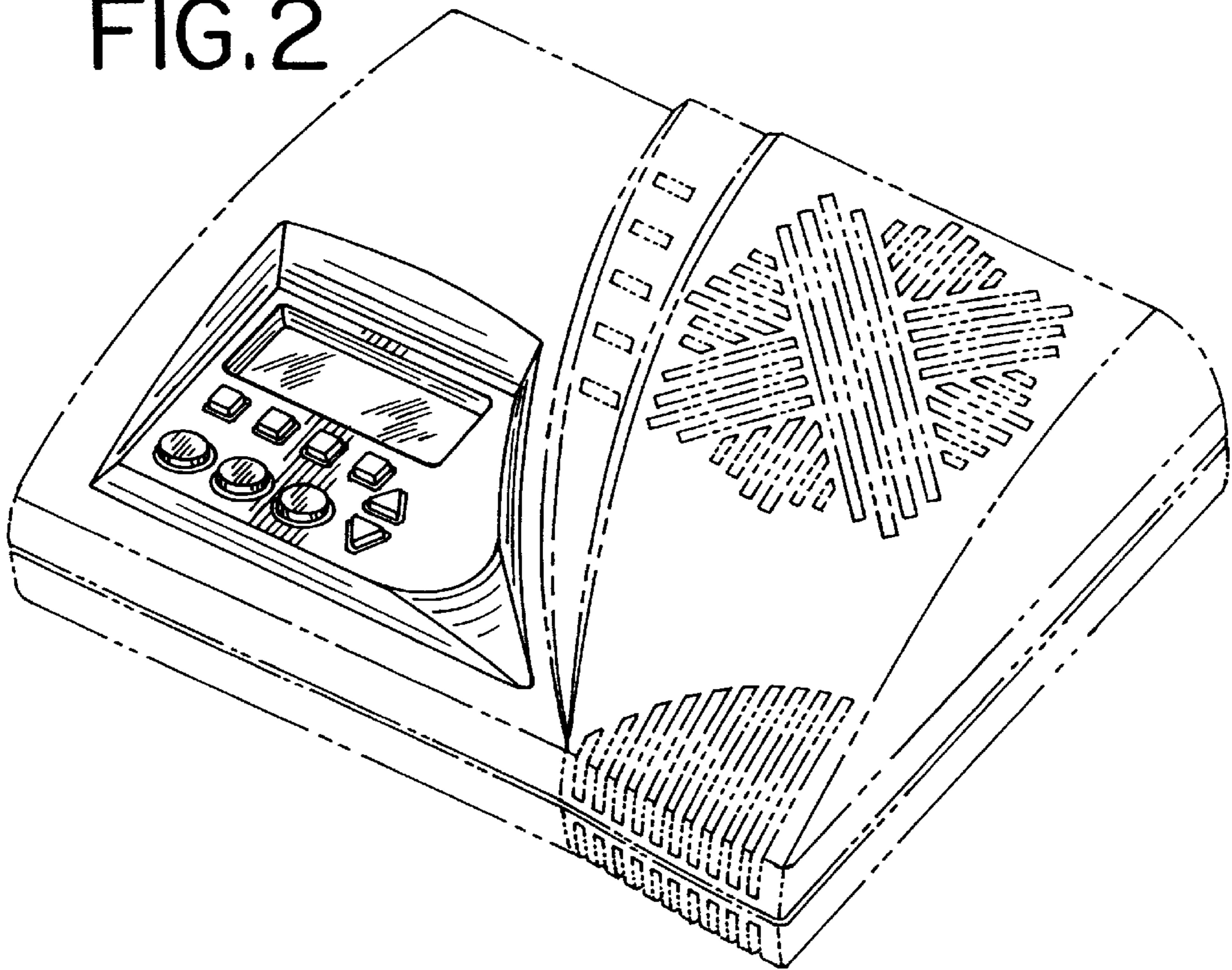
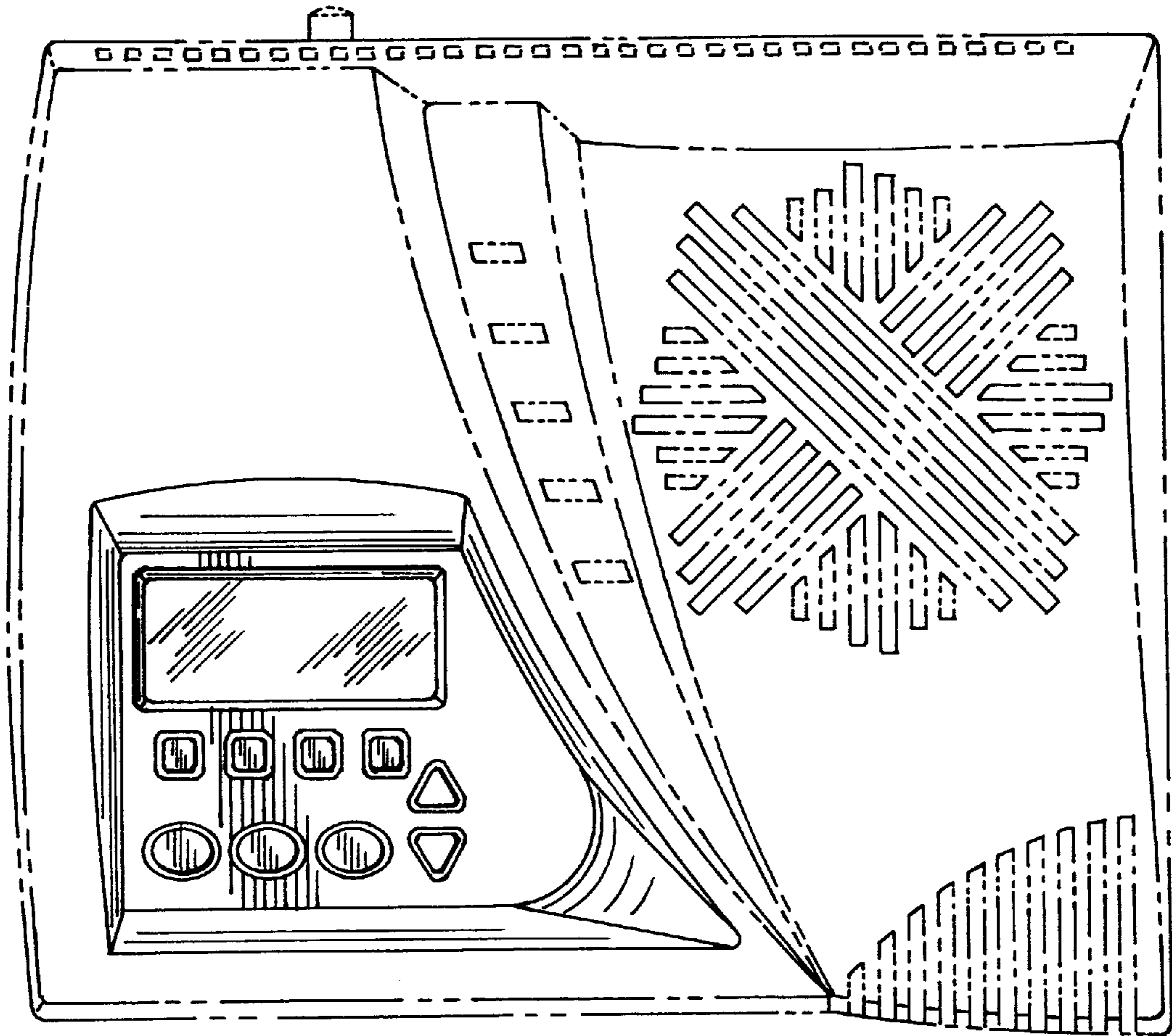


FIG.2



# FIG.3



# FIG.4

