



US00D430148S

United States Patent [19] DeLeon

[11] **Patent Number: Des. 430,148**

[45] **Date of Patent: ** Aug. 29, 2000**

[54] **HANDS-FREE ACCESSORY FOR COMMUNICATIONS EQUIPMENT**

[75] Inventor: **Rodolfo DeLeon**, Raleigh, N.C.

[73] Assignee: **Ericsson Inc.**, Research Triangle Park, N.C.

[**] Term: **14 Years**

[21] Appl. No.: **29/107,400**

[22] Filed: **Jul. 2, 1999**

[51] **LOC (7) Cl.** **14-03**

[52] **U.S. Cl.** **D14/240; D14/256; D14/243**

[58] **Field of Search** D13/108, 144, D13/153; D14/240, 243, 256, 225, 226, 228, 204, 210, 216, 107, 114, 140, 142; 379/388, 419, 428, 440, 420, 426, 441, 442, 454, 455; 455/90, 550-575

[56] **References Cited**

U.S. PATENT DOCUMENTS

D. 175,440	8/1955	Palo	D14/225
D. 234,957	4/1975	Huntington et al.	D14/225
D. 244,780	6/1977	Kobayashi	D14/225
D. 247,668	4/1978	Furst et al.	D14/225
D. 252,024	6/1979	Fujita	D14/225
D. 252,085	6/1979	Fujita	D14/225
D. 264,335	5/1982	Huntington	D14/225
D. 300,924	5/1989	Mauch	D14/225
D. 346,804	5/1994	Tokiyama	D14/226
D. 356,571	3/1995	Garmon et al.	D14/225
D. 360,208	7/1995	Richards	D14/204
D. 369,811	5/1996	Chen	D14/248
D. 374,874	10/1996	Lindeman et al.	D14/225
D. 378,820	4/1997	Tokiyama et al.	D14/225
D. 384,937	10/1997	Liu	D13/108
D. 396,715	8/1998	Konomi	D14/142
D. 404,037	1/1999	Gomez et al.	D14/240
D. 408,414	4/1999	Stead et al.	D14/225

D. 415,767	10/1999	Page et al.	D14/226
D. 416,869	11/1999	Tsai	D13/153
5,170,067	12/1992	Baum et al.	D13/144 X
5,490,213	2/1996	Huang	379/442
5,802,167	9/1998	Hong	379/388

OTHER PUBLICATIONS

Brochure, Hands Free Products, <http://www.dania.express-web.com/cwhtrpProductDetail!productID=16ER1738HFTP>; Motorola, 14 pages (May 10, 1999).
Brochure, "Pocket Cellular Telephone," Motorola, 2 pages(1993).

Primary Examiner—Jeffrey Asch
Attorney, Agent, or Firm—Myers Bigel Sibley & Sajovec, P.A.

[57] **CLAIM**

The ornamental design for an hands-free accessory for communications equipment, as shown and described.

DESCRIPTION

FIG. 1 is a front view of the accessory showing my design; FIG. 2 is a first side view thereof, the opposing side view having a shape which is the mirror image of the first side view, but excluding the top light and related surface ornamentation on the microphone component; FIG. 3 is a rear view thereof; FIG. 4 is a top view thereof; FIG. 5 is a bottom view thereof; FIG. 6 is a perspective view thereof with the conformable neck portion bent to a stable alternate position for use; and, FIG. 7 is a partial perspective view thereof with the conformable neck portion bent to a stable alternate position for use in its intended use environment.

The oval on the front of the speaker portion of the design is shaded with diagonal shading to represent a glossy, contrasting color.

1 Claim, 6 Drawing Sheets

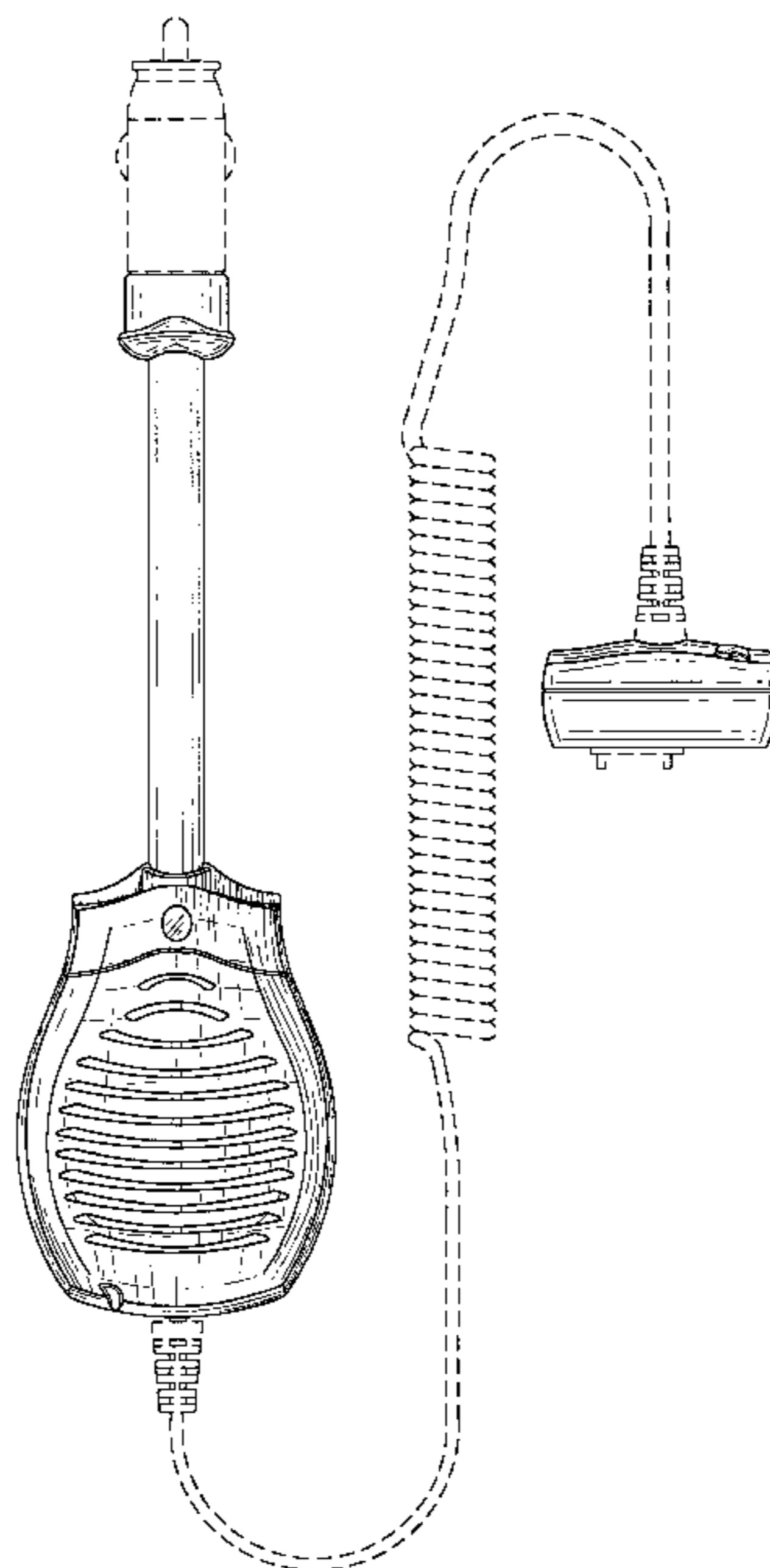


FIG. 1

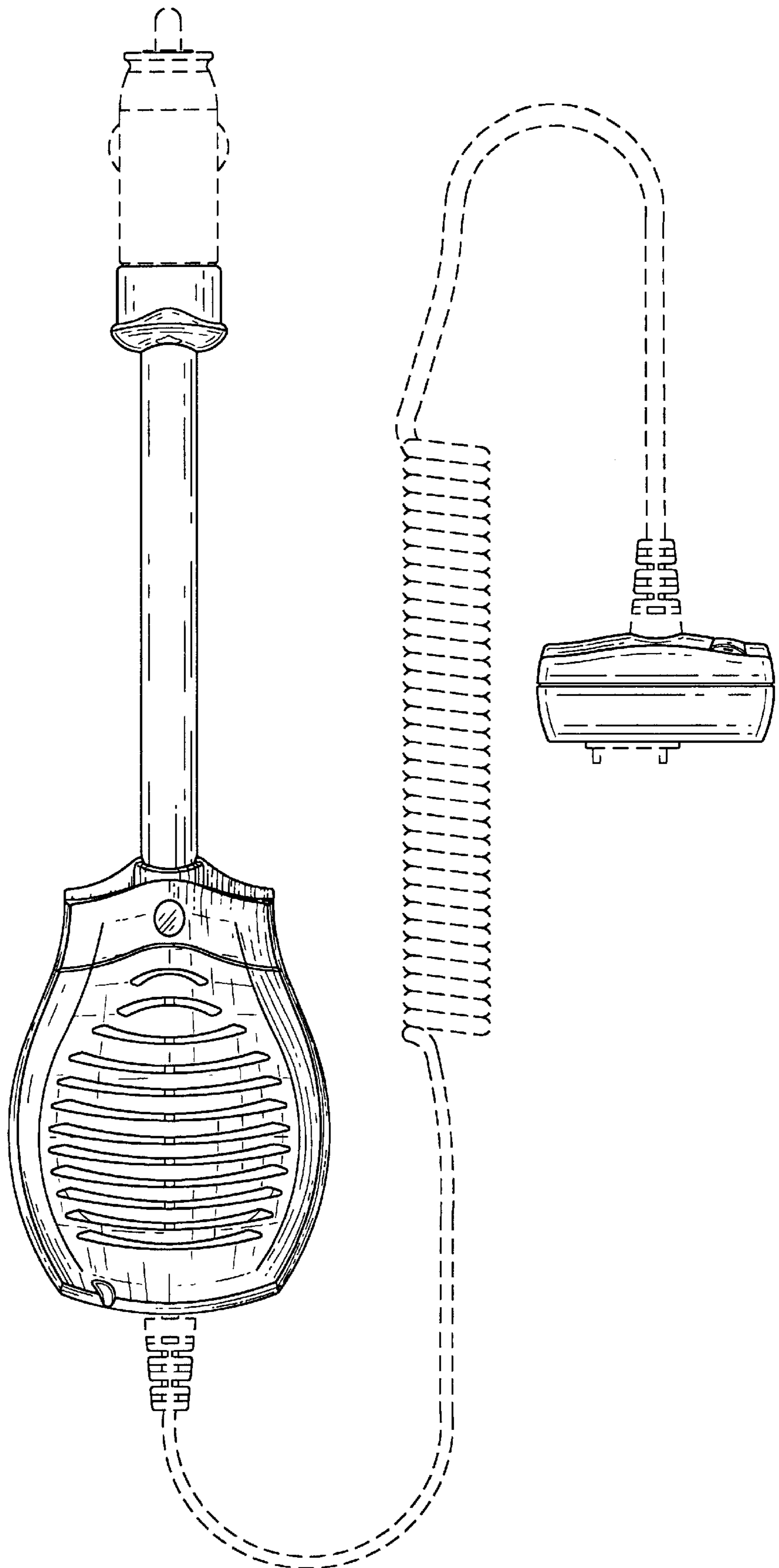


FIG. 2

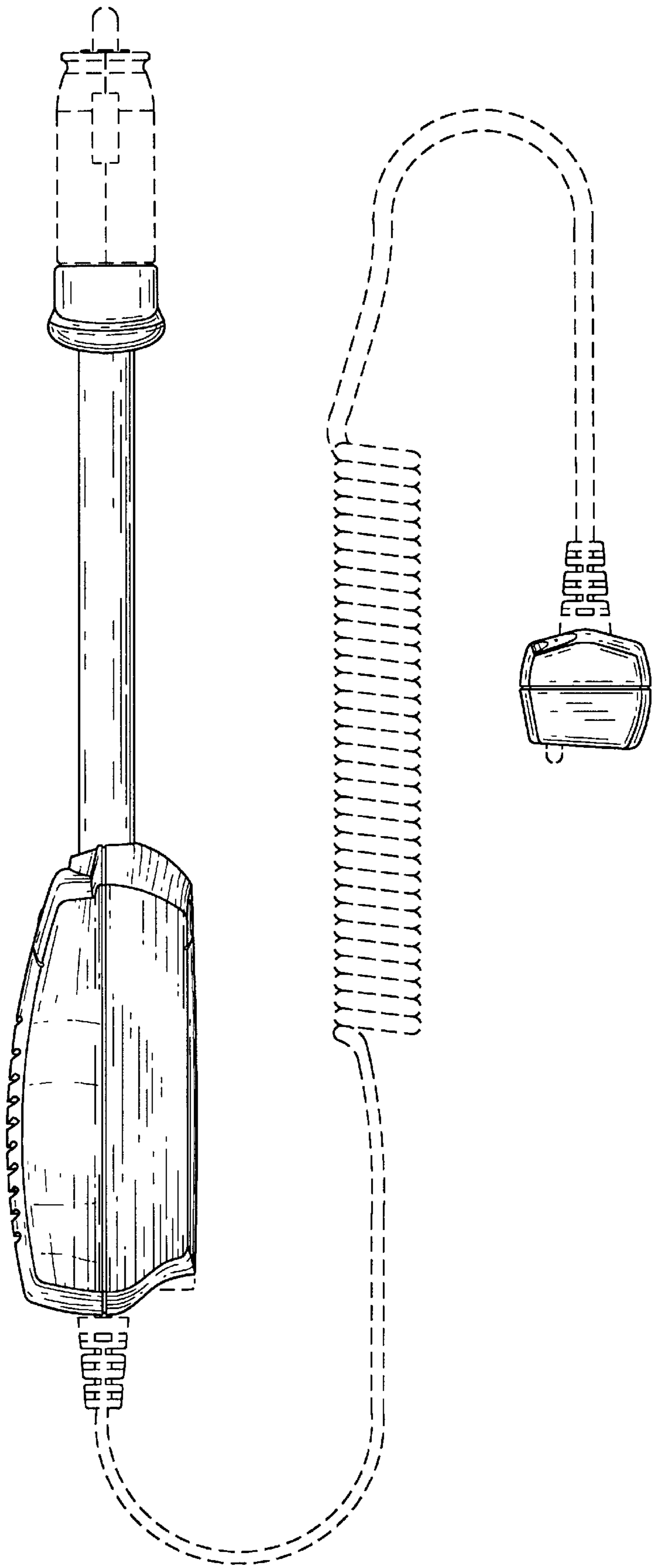


FIG. 3

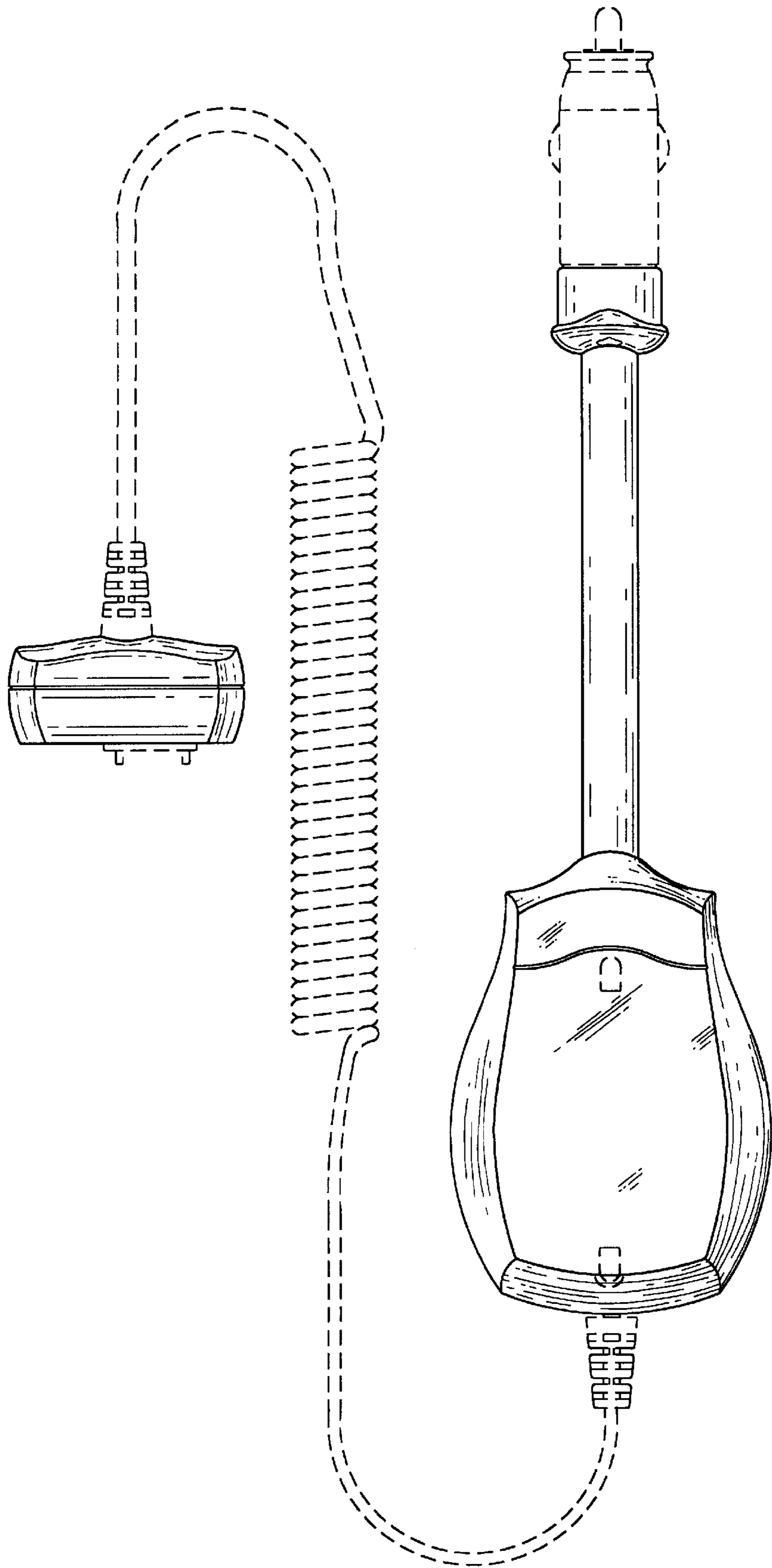


FIG. 4

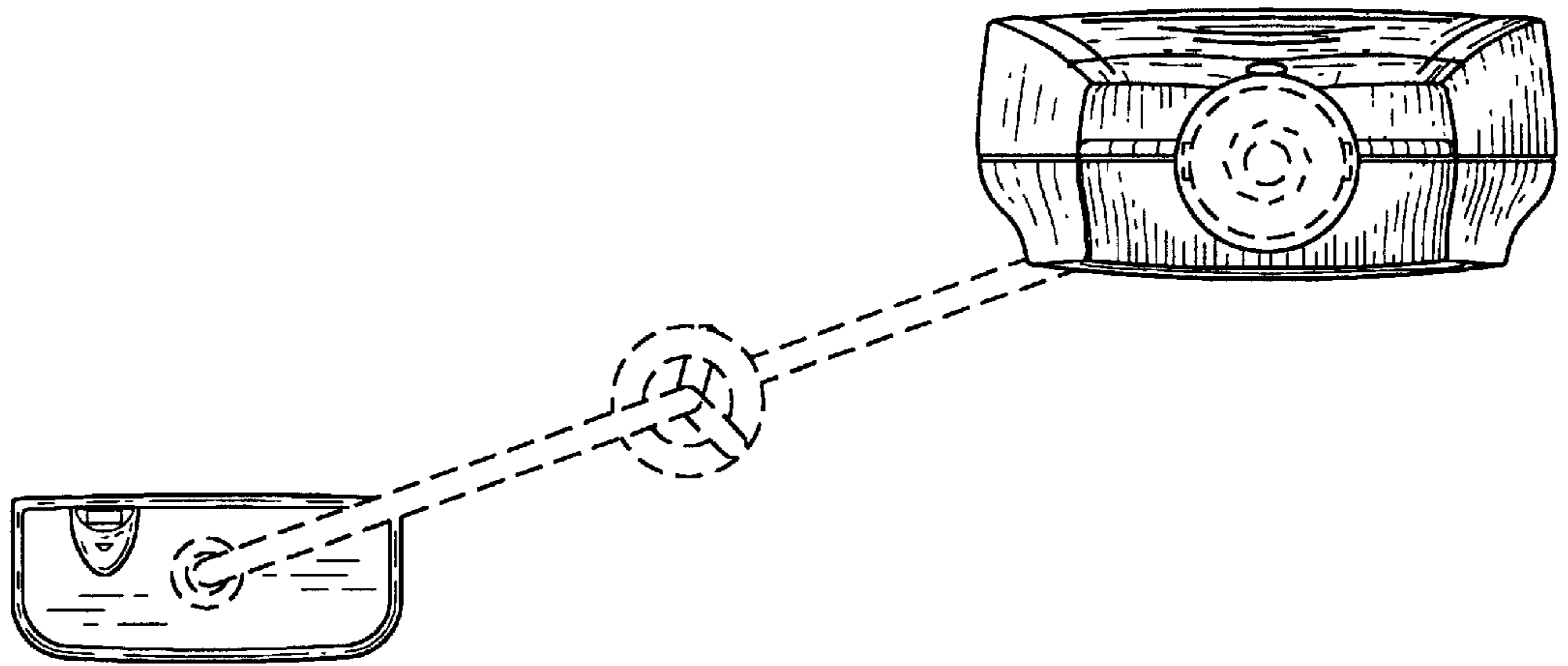


FIG. 5

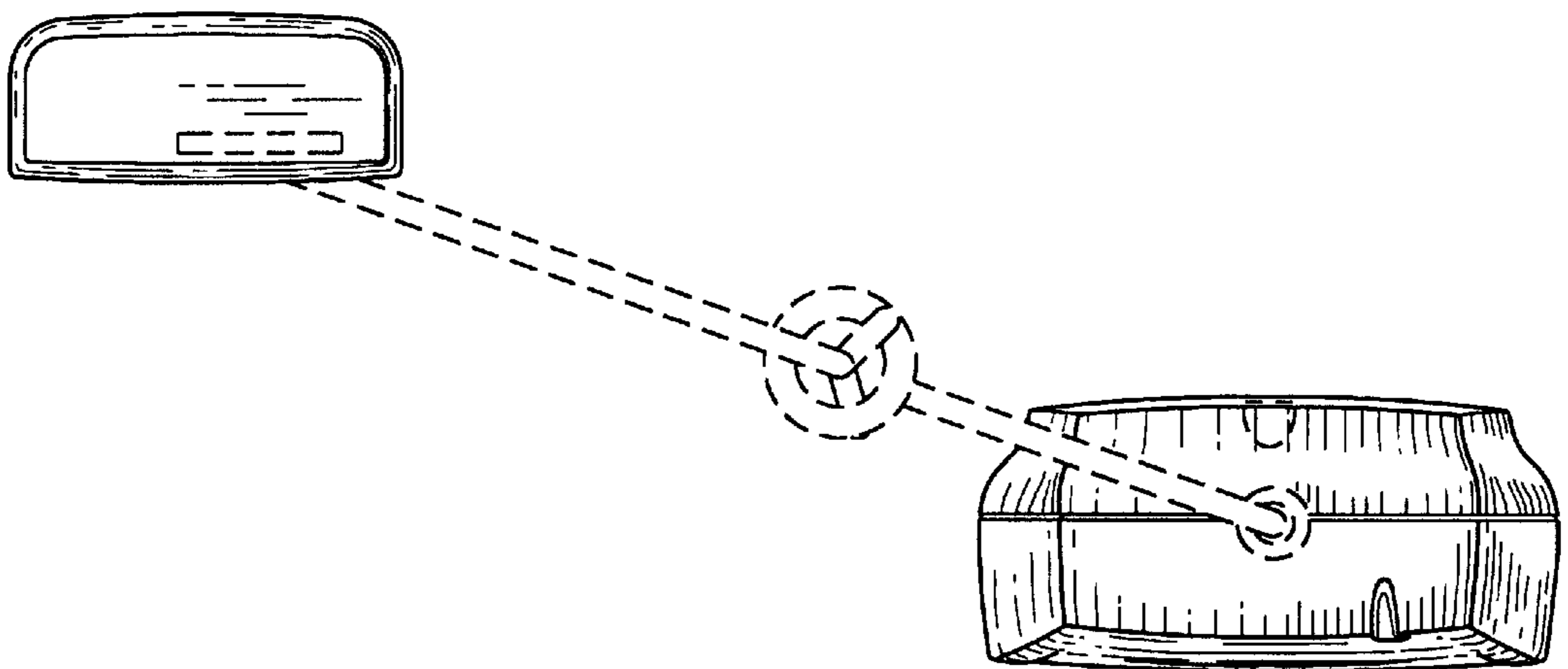


FIG. 6

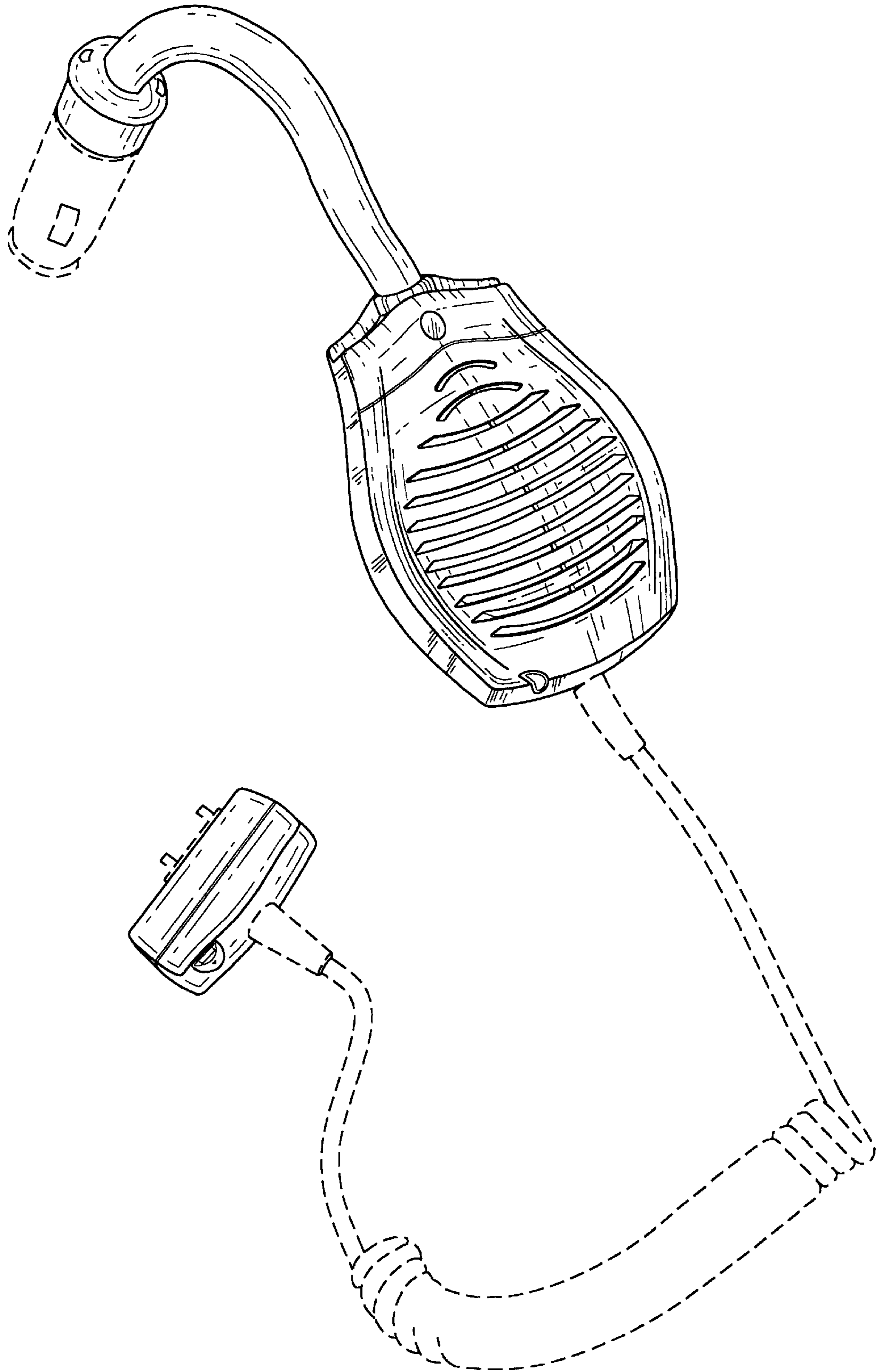


FIG. 7

