

US00D430147S

United States Patent [19]

Willkens et al.

[11] **Patent Number: Des. 430,147**

[45] **Date of Patent: ** Aug. 29, 2000**

[54] WIRELESS BASE STATION

[75] Inventors: **Matthew F. Willkens**, Seattle; **Andrew E. Reynolds**, Bothell, both of Wash.; **Thomas O. Vikers**, Roseville, Minn.

[73] Assignee: **Intermec IP Corporation**, Beverly Hills, Calif.

[**] Term: **14 Years**

[21] Appl. No.: **29/096,077**

[22] Filed: **Nov. 3, 1998**

[51] **LOC (7) Cl. 14-03**

[52] **U.S. Cl. D14/240; D14/137**

[58] **Field of Search D14/140, 142, D14/100, 102, 107, 116, 240, 241, 256, 137, 149, 242, 217; 320/110-115; 379/419, 420, 428, 440, 433-436; D13/184; 375/210, 211; 455/16, 347, 561, 90; 361/752, 802, 724**

[56] **References Cited**

U.S. PATENT DOCUMENTS

D. 341,363	11/1993	Chambers	D14/240
D. 346,172	4/1994	Fields et al.	D14/137 X
D. 352,289	11/1994	Rak	D14/242
D. 353,372	12/1994	Delhaes	D14/149
D. 372,248	7/1996	Tahmassebpur	D14/242
D. 380,205	6/1997	Bares	D14/107
D. 380,745	7/1997	Rasmussen	D14/256 X
D. 396,044	7/1998	King et al.	D14/107 X
D. 409,199	5/1999	Taguchi et al.	D14/217
D. 409,203	5/1999	Morimiya	D14/242
5,739,665	4/1998	Bares	320/115

OTHER PUBLICATIONS

Intermec Product Brochure, "Bar Code Wedge Readers," Feb. 1997, (3 pages).
 Intermec Product Brochure, Product Specifications, "ACSII Wedge Reader," Mar. 1997, (1 page).
 Intermec Product Brochure, "Bar Code Portable Transaction Manager," Jan. 1991, (2 pages).
 Intermec Product Brochure, "Bar Code Trakker Scanner," Sep. 1993, (2 pages).

Intermec Product Brochure, "Environmentally Sealed/Intrinsically Safe Trakkers," Apr. 1991, (2 pages).
 Intermec Product Brochure, "Bar Code Transaction Manager," Mar. 1991, (2 pages).
 Intermec Product Brochure, "Bar Code Transaction Manager," Oct. 1991, (2 pages).
 Intermec Product Brochure, "Satellite Wand Station & Keyboard," May 1991, (2 pages).
 Intermec Product Brochure, "Asynchronous RF Control Unit," Jul. 1993, (2 pages).
 Intermec Product Brochure, "Spread-Spectrum Base Station Transceiver," Jan. 1992, (2 pages).
 Intermec Product Brochure, "Spread-Spectrum RF Repeater," Jan. 1992, (2 pages).

Primary Examiner—Jeffrey Asch
Attorney, Agent, or Firm—Perkins Coie LLP

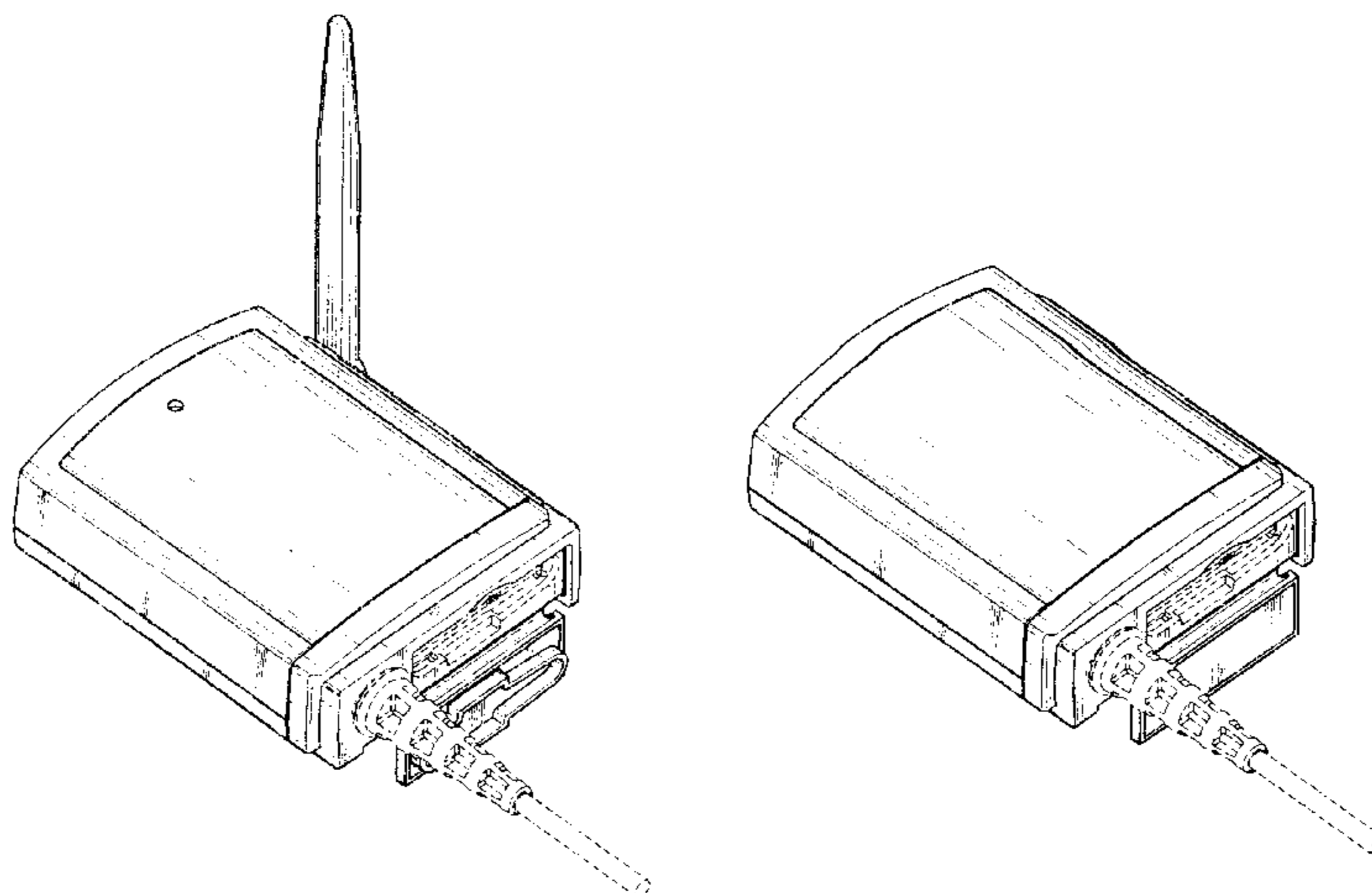
[57] **CLAIM**

The ornamental design for a wireless base station, as shown and described.

DESCRIPTION

FIG. 1 is a front perspective view of a first embodiment of a wireless base station showing our new design.
 FIG. 2 is a top plan view thereof.
 FIG. 3 is a bottom plan view thereof.
 FIG. 4 is a left side elevational view thereof.
 FIG. 5 is a right side elevational view thereof.
 FIG. 6 is a rear plan view thereof.
 FIG. 7 is a front plan view thereof.
 FIG. 8 is a front perspective view of a second embodiment of a wireless base station.
 FIG. 9 is a top plan view thereof.
 FIG. 10 is a bottom plan view thereof.
 FIG. 11 is a left side elevational view thereof.
 FIG. 12 is a right side elevational view thereof.
 FIG. 13 is a rear plan view thereof; and,
 FIG. 14 is a front plan view thereof.
 The broken line disclosure throughout the views is for illustrative purposes only and the broken lines as well as the surfaces of the article obscured by the broken lines form no part of the claimed design.

1 Claim, 5 Drawing Sheets



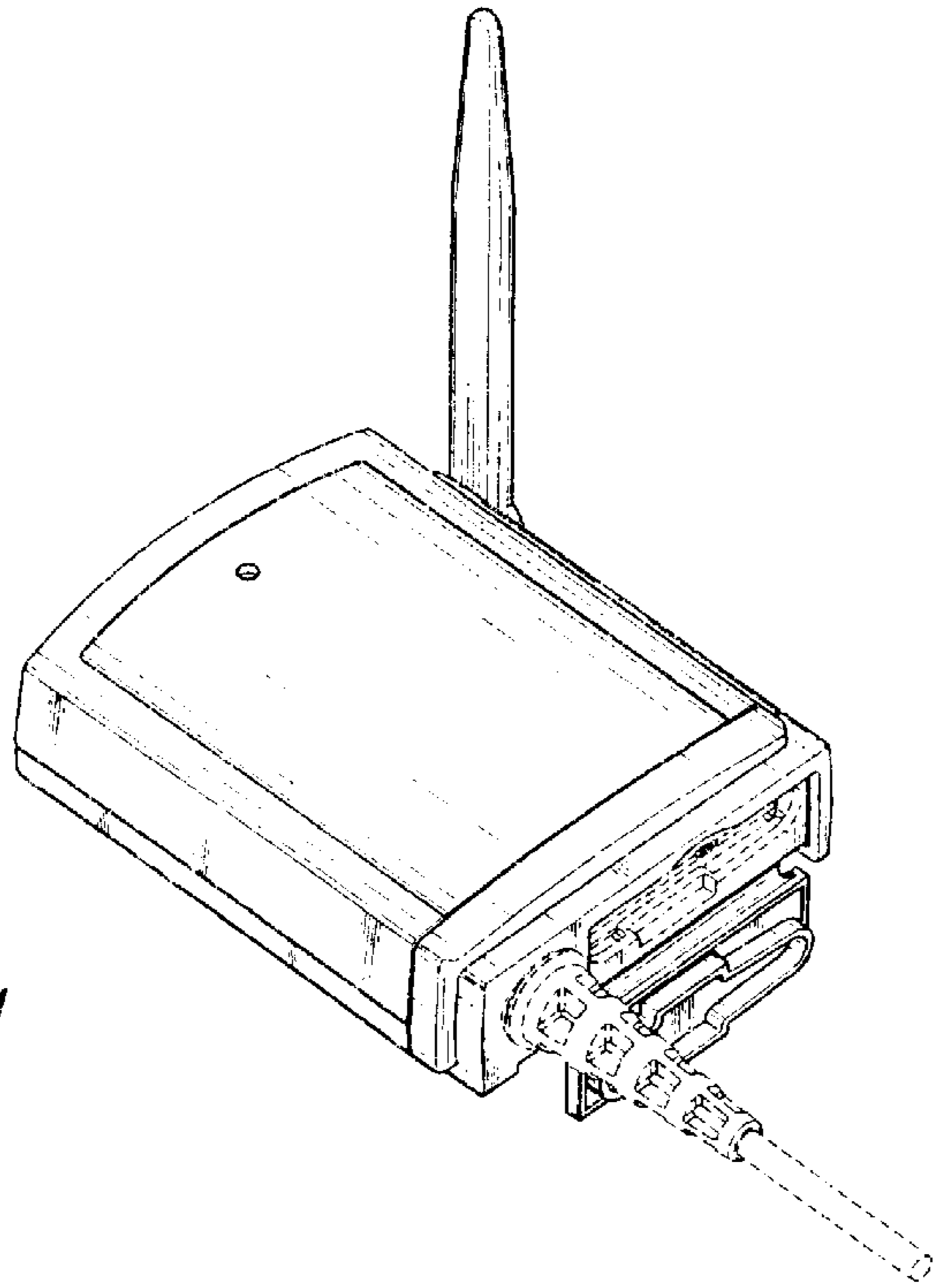


Fig. 1

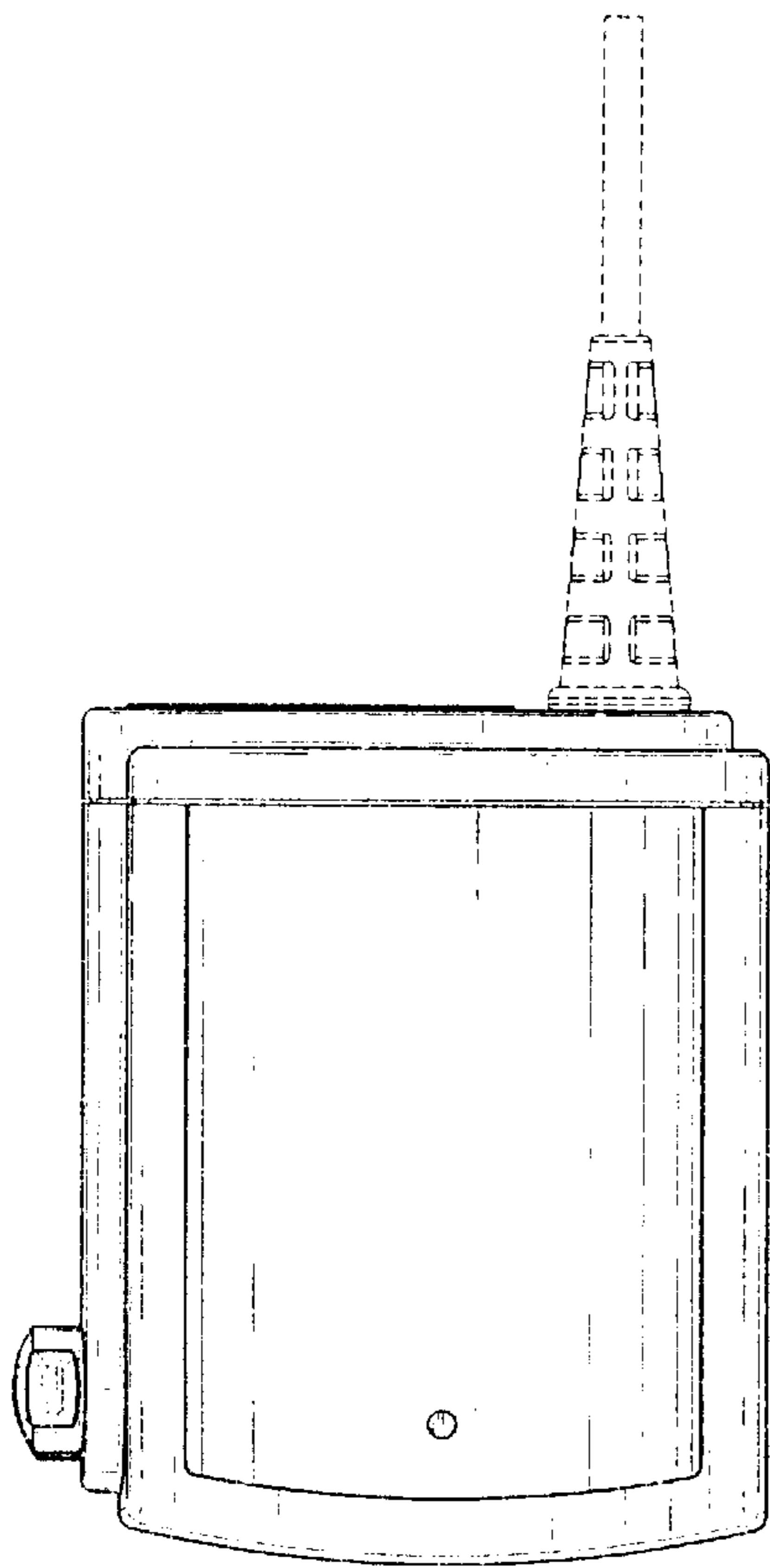


Fig. 2

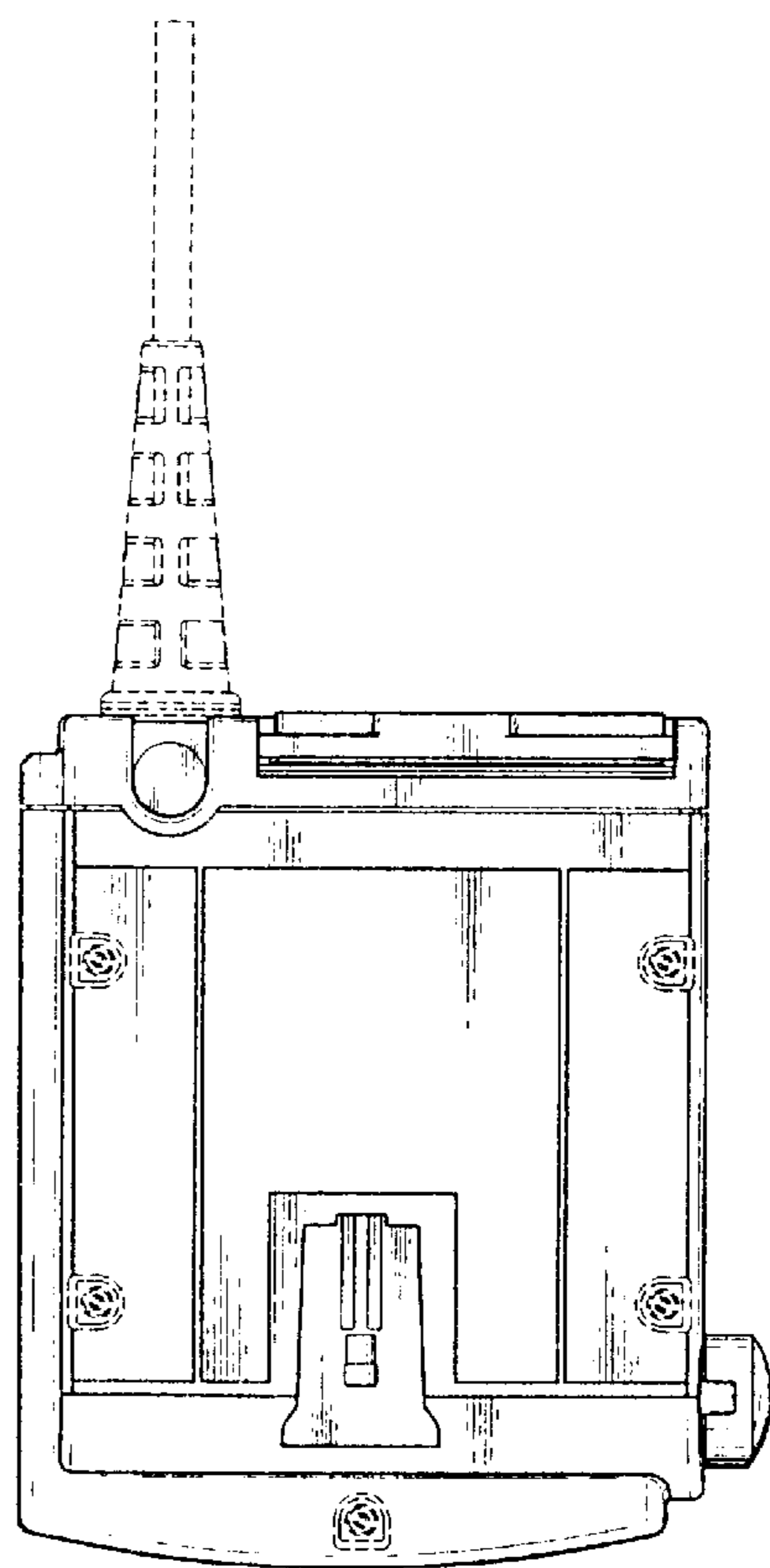


Fig. 3

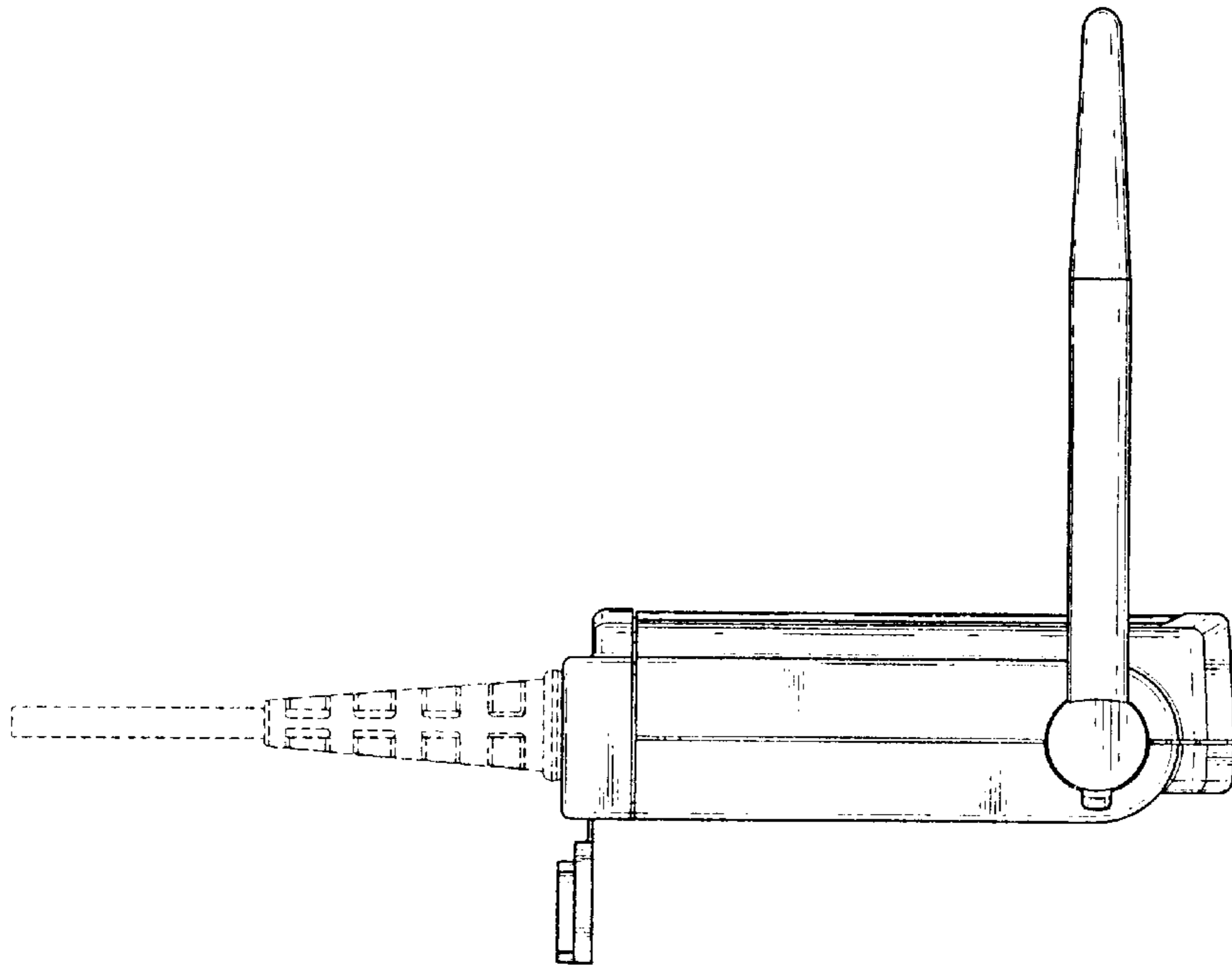


Fig. 4

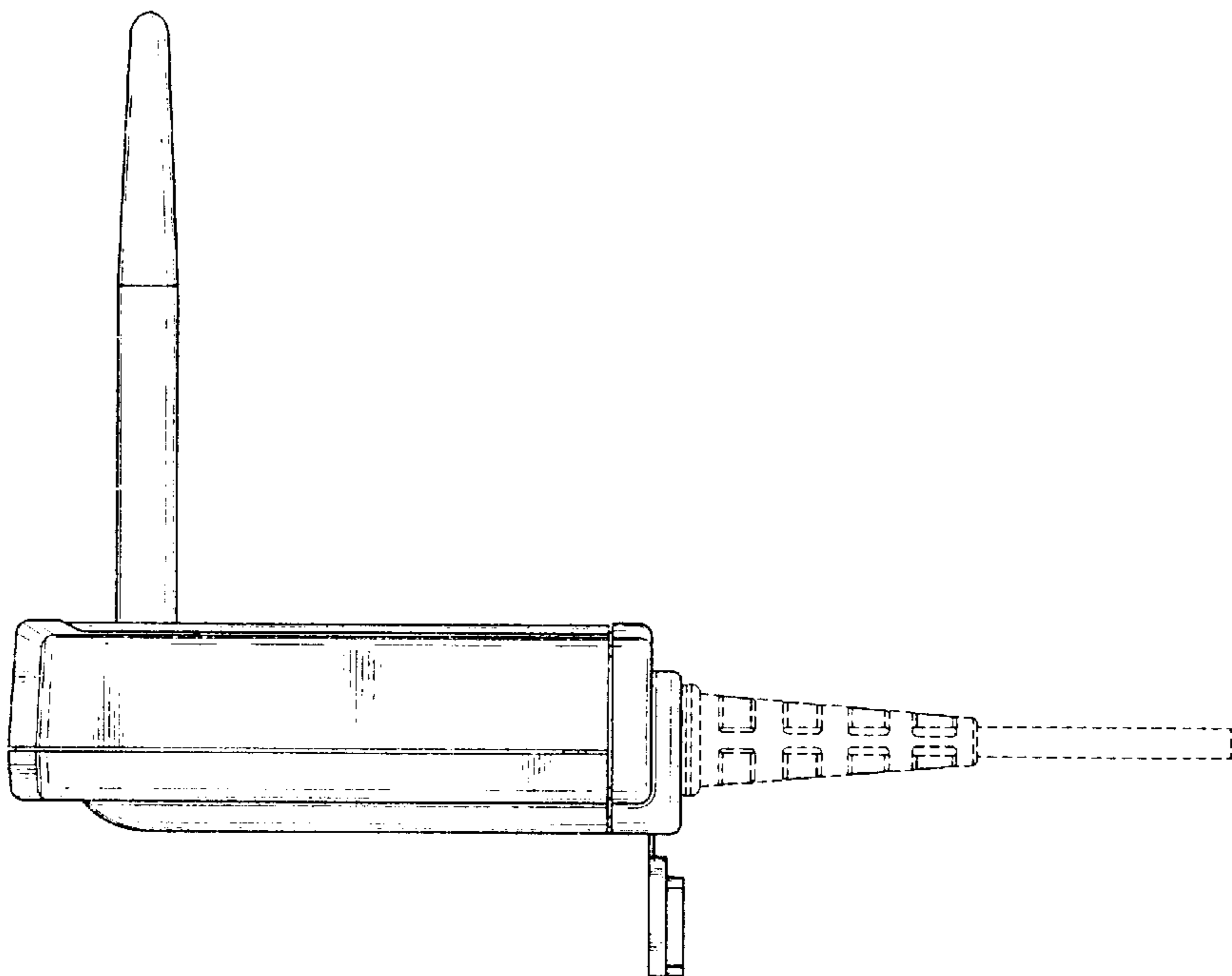


Fig. 5

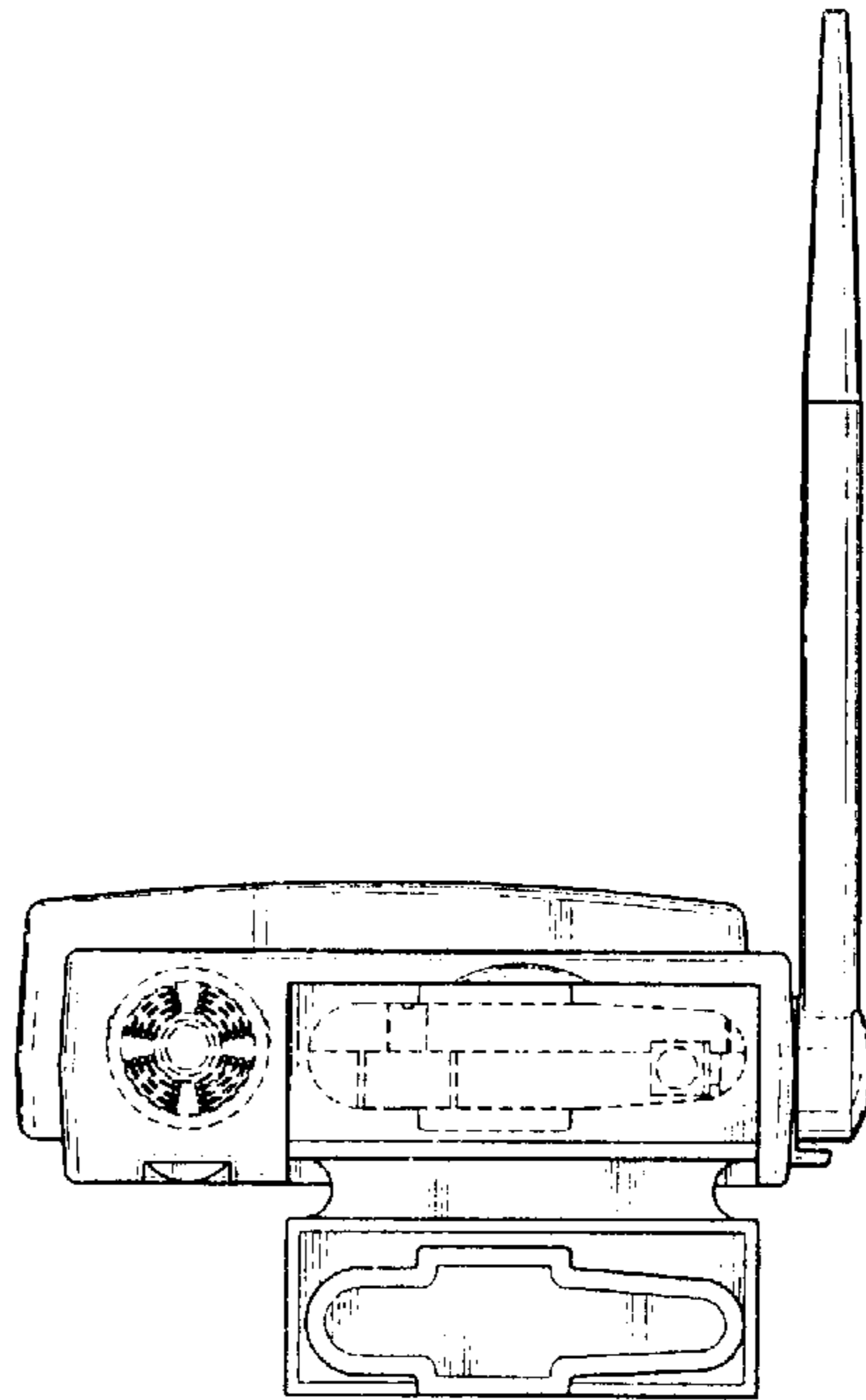


Fig. 6

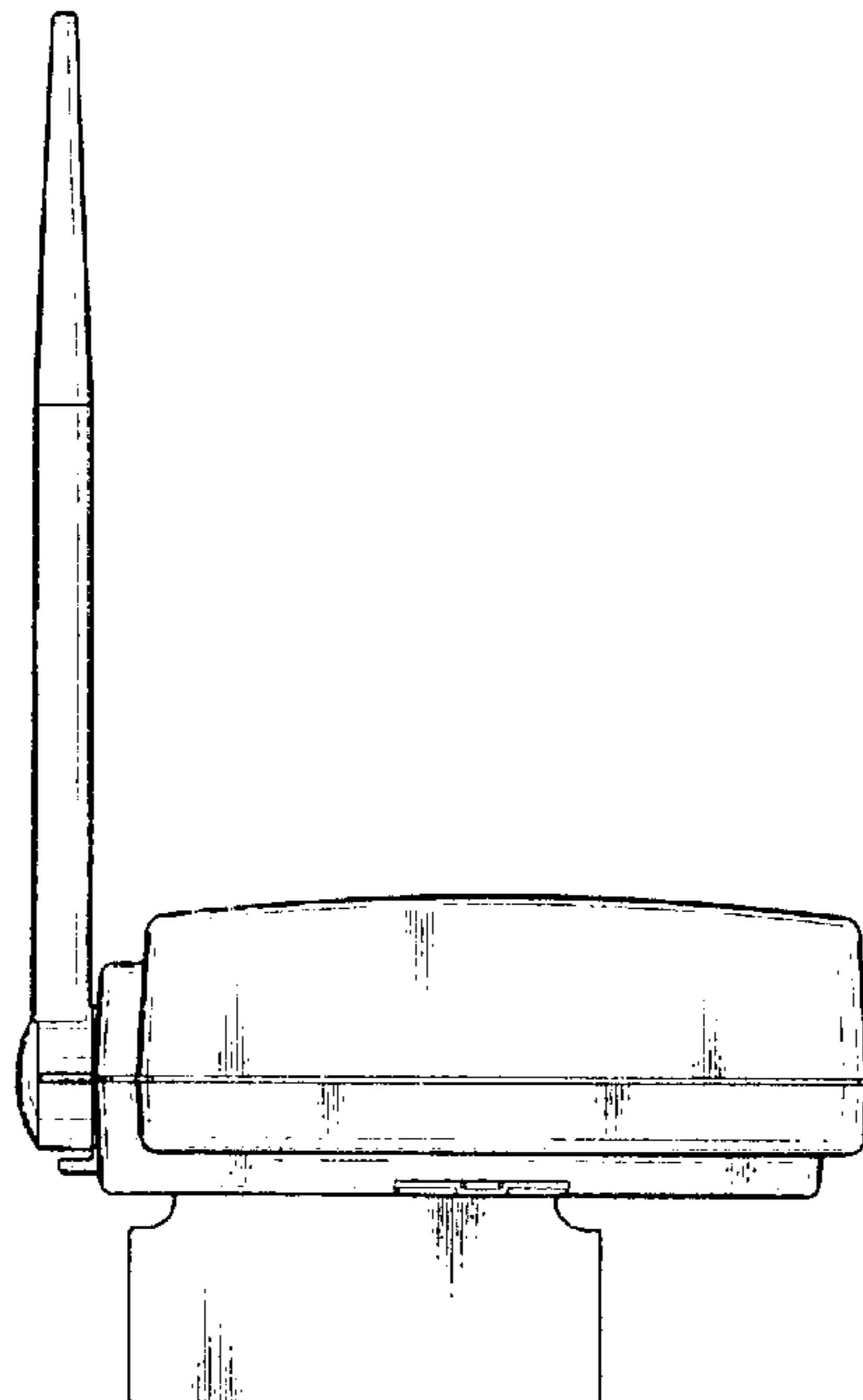


Fig. 7

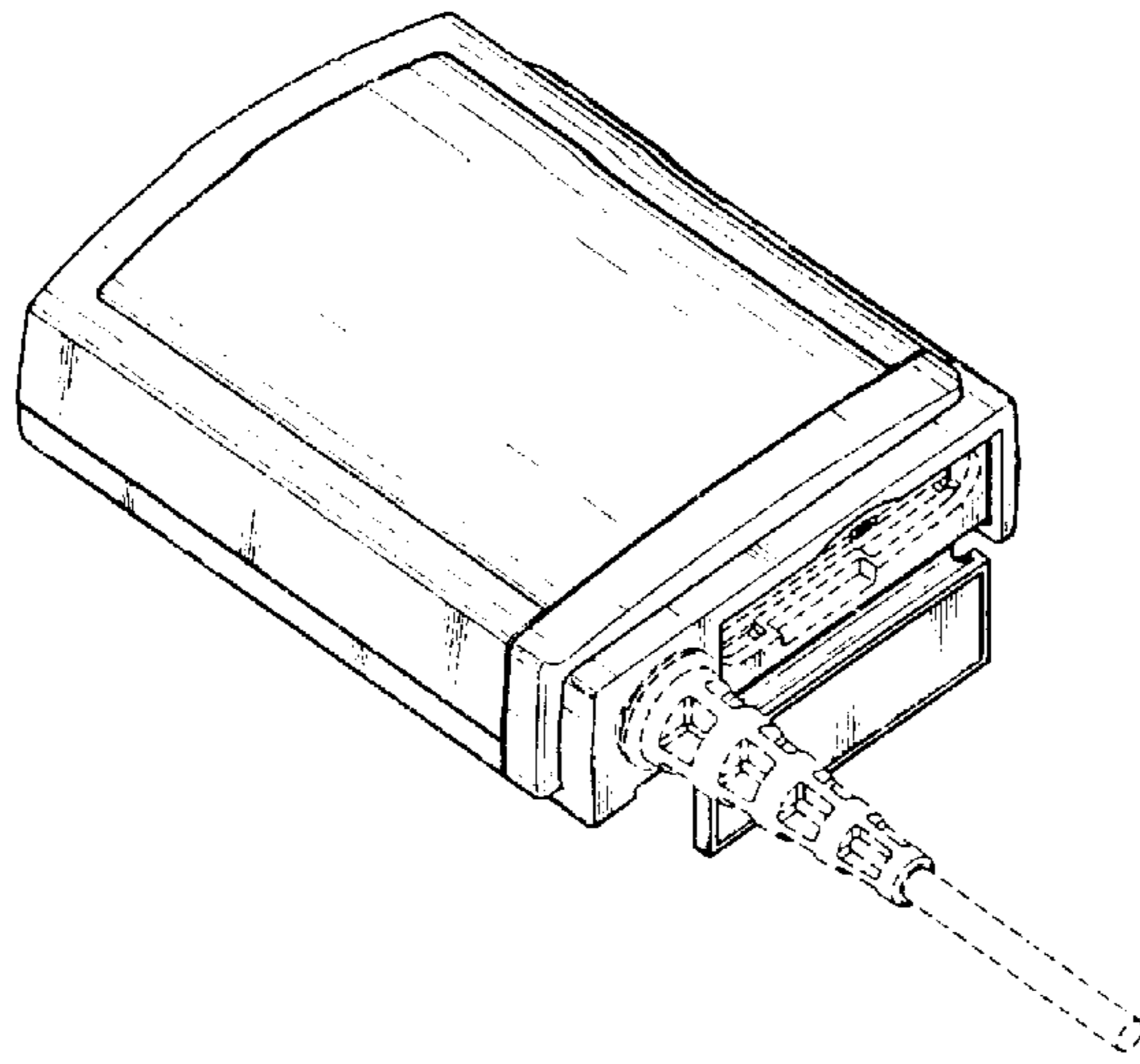


Fig. 8

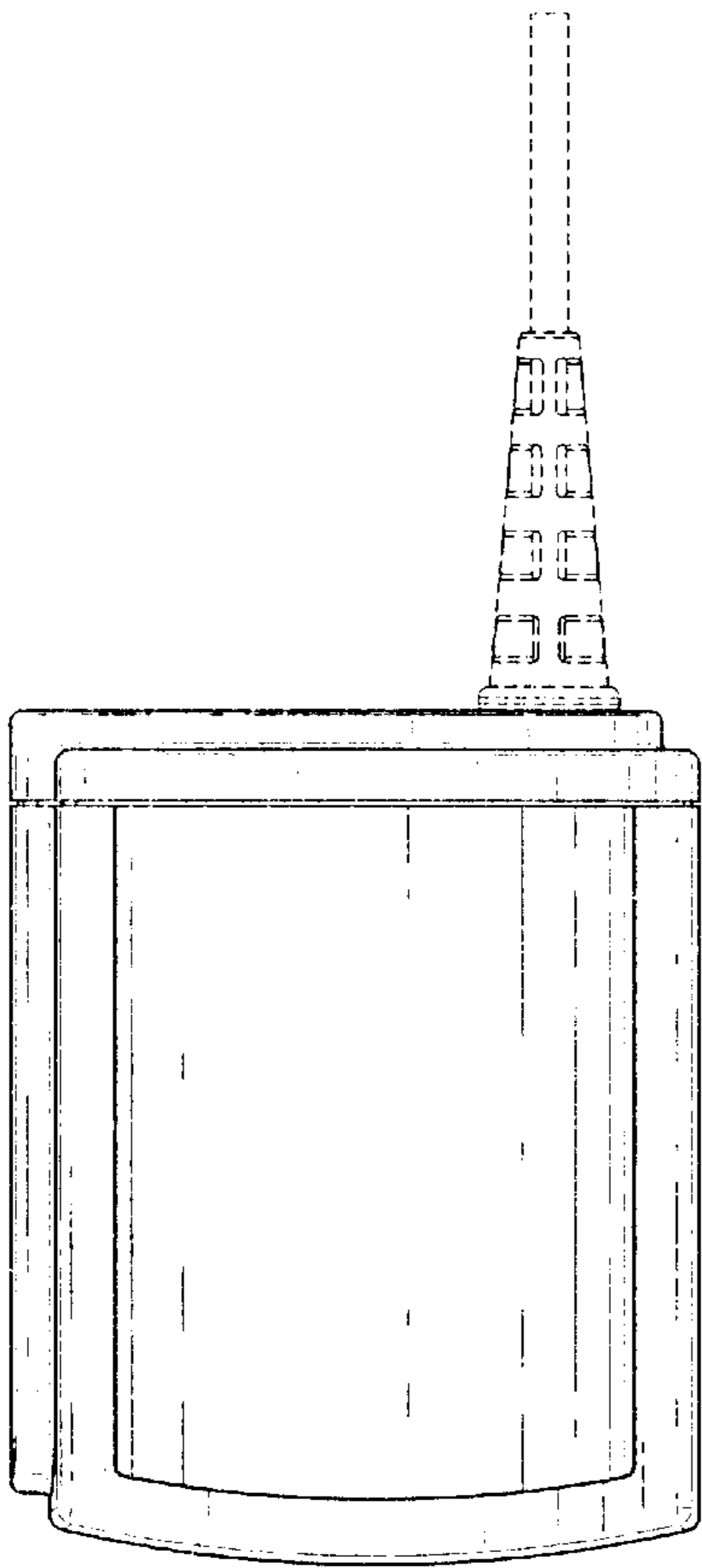


Fig. 9

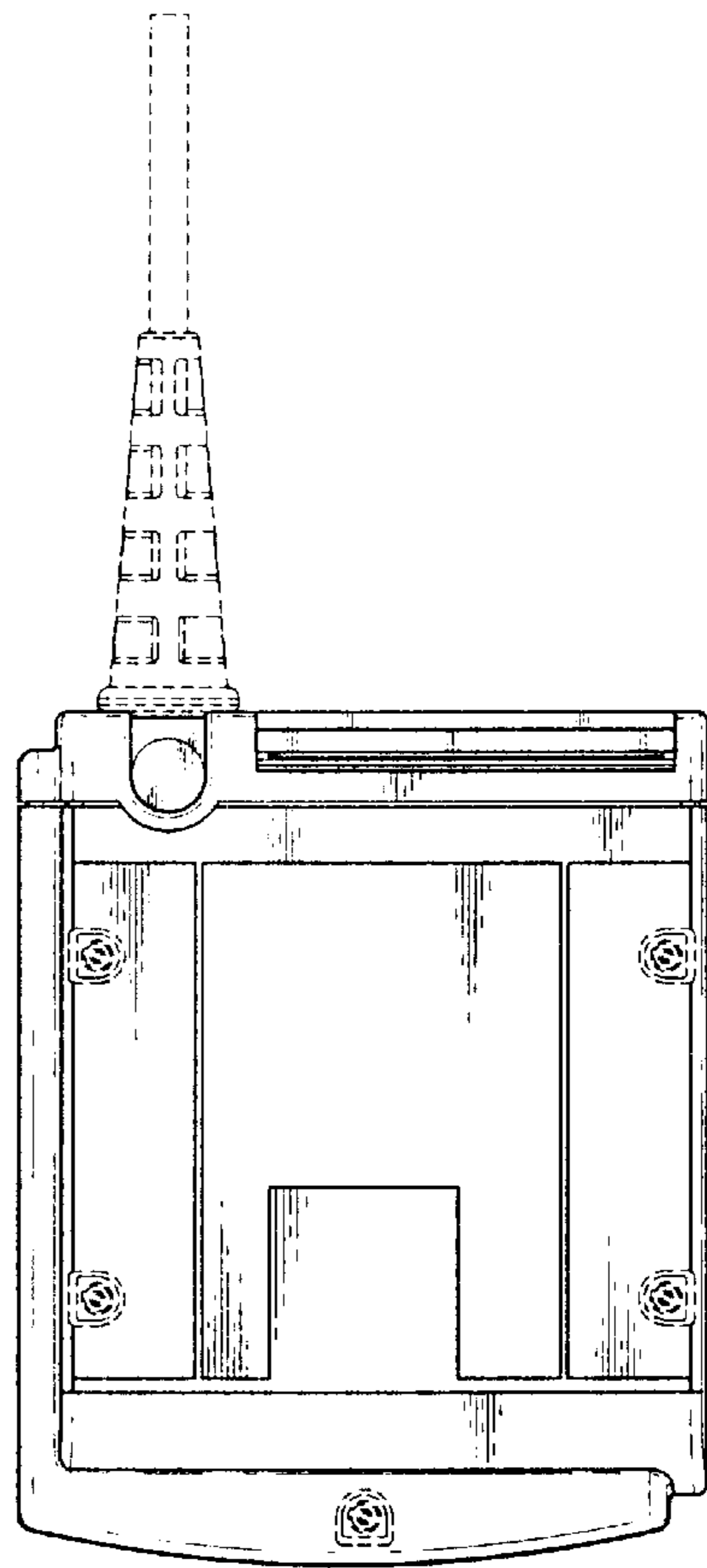


Fig. 10

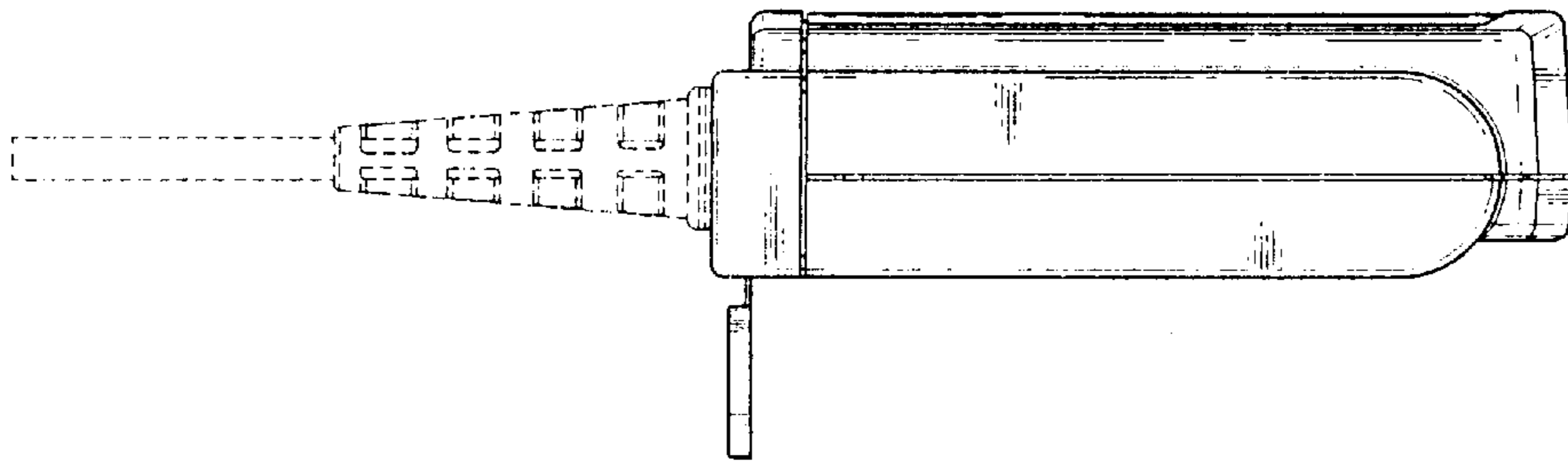


Fig. 11

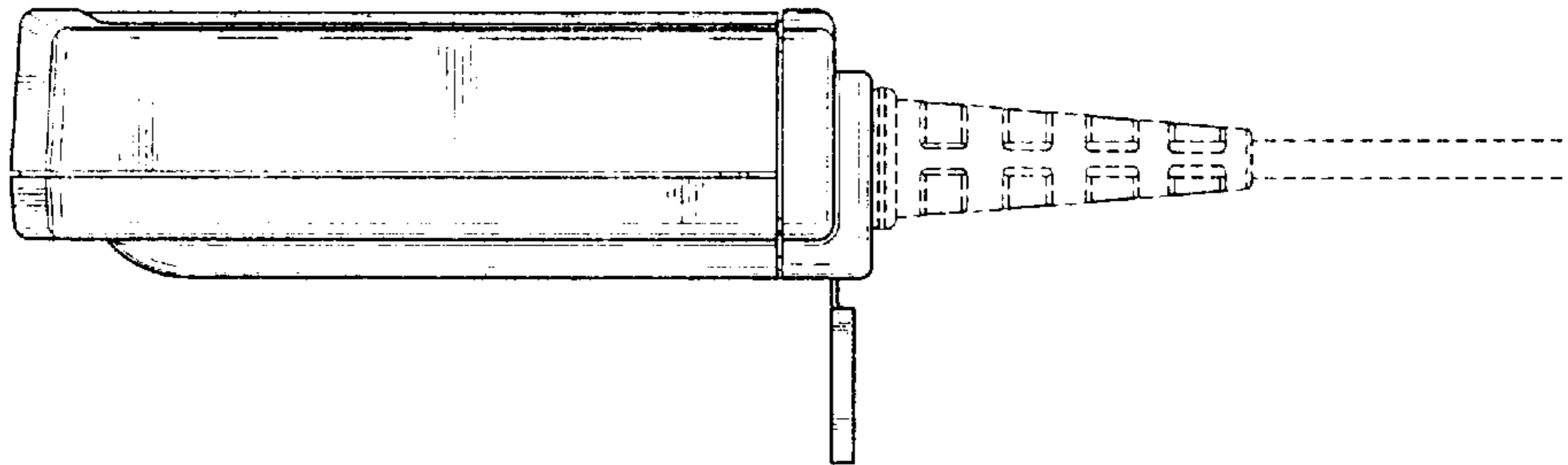


Fig. 12

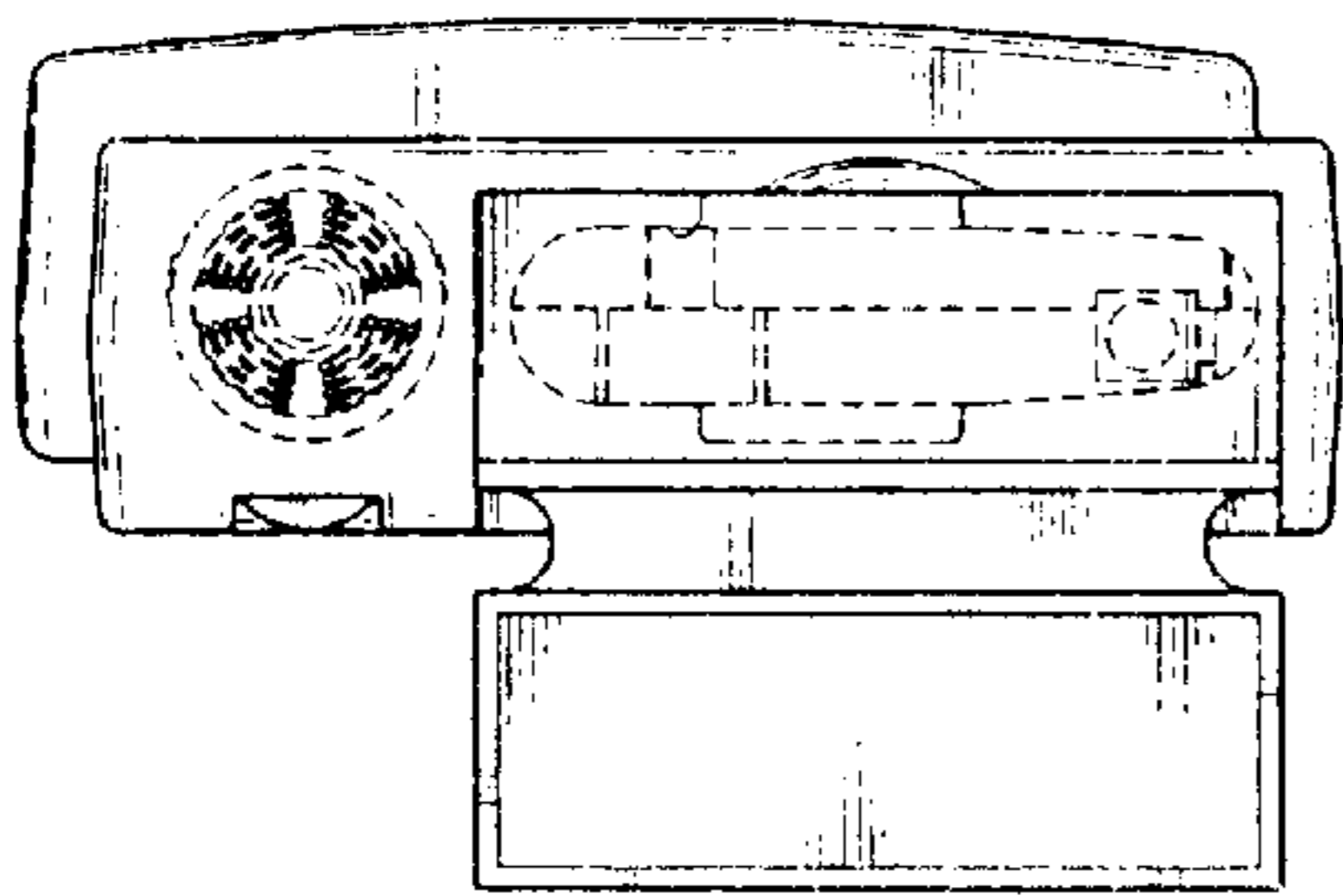


Fig. 13

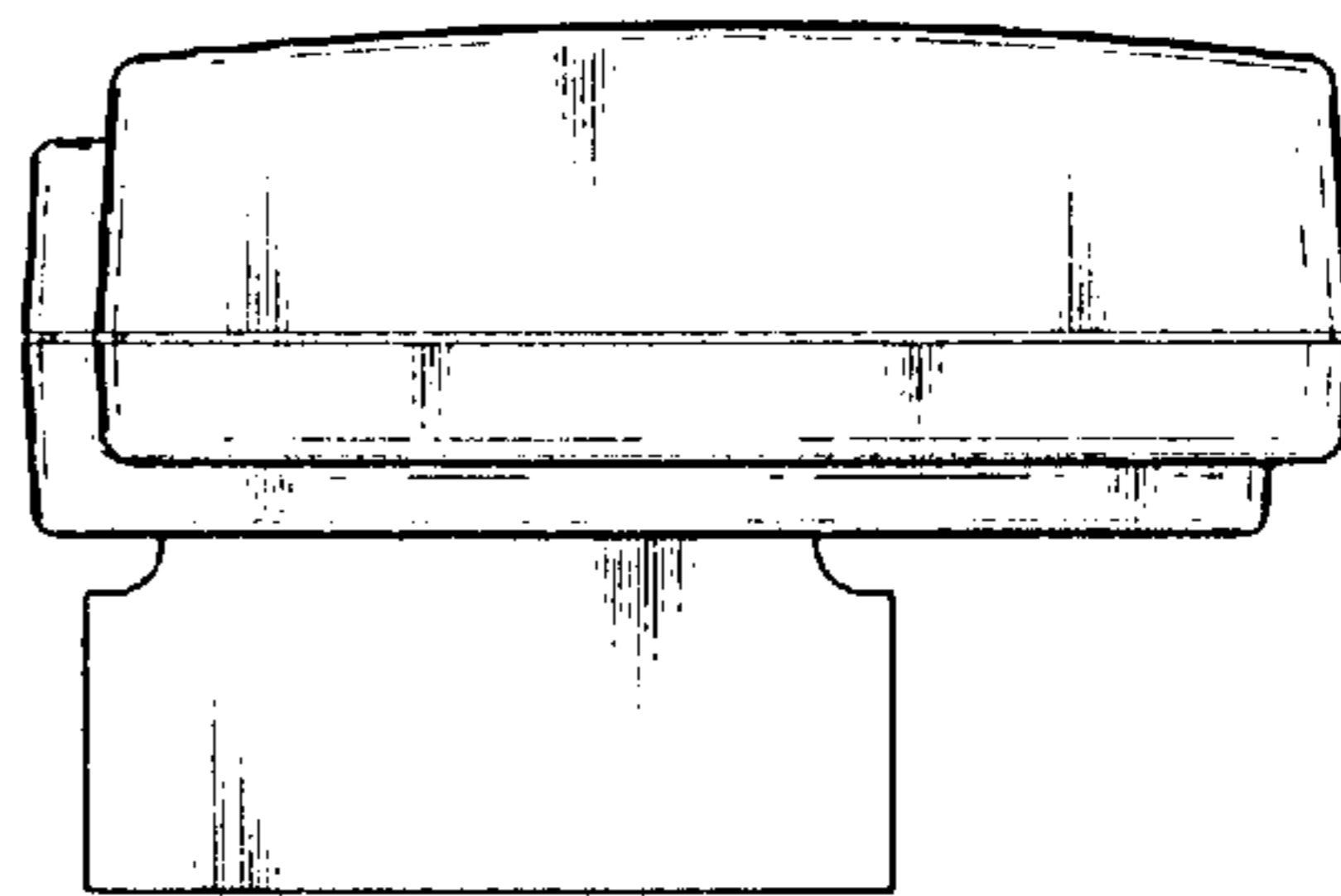


Fig. 14