



US00D430144S

United States Patent [19]
Pritchard

[11] **Patent Number: Des. 430,144**

[45] **Date of Patent: ** Aug. 29, 2000**

[54] **SPEAKER GRILL DEPICTING A HAT AND A GUITAR**

[76] Inventor: **Eric Kaiser Pritchard**, Rte. 6 Box
11420, Berkeley Springs, W. Va. 25411

[**] Term: **14 Years**

[21] Appl. No.: **29/094,957**

[22] Filed: **Oct. 14, 1998**

[51] **LOC (7) Cl.** **14-01**

[52] **U.S. Cl.** **D14/220**

[58] **Field of Search** D14/204, 207,
D14/209-216, 219, 220; 181/144-148,
150, 157, 198-199; 381/300-302, 307,
359, 361, 332-336

[56] **References Cited**

U.S. PATENT DOCUMENTS

D. 256,118 7/1980 Kornblum D14/214

D. 340,971 11/1993 Pirro D14/214 X
3,073,203 1/1963 Evans D14/214 X
3,183,305 5/1965 Jespersen D14/214 X
4,207,963 6/1980 Klasco 181/147

Primary Examiner—Nanda Bondade

[57] **CLAIM**

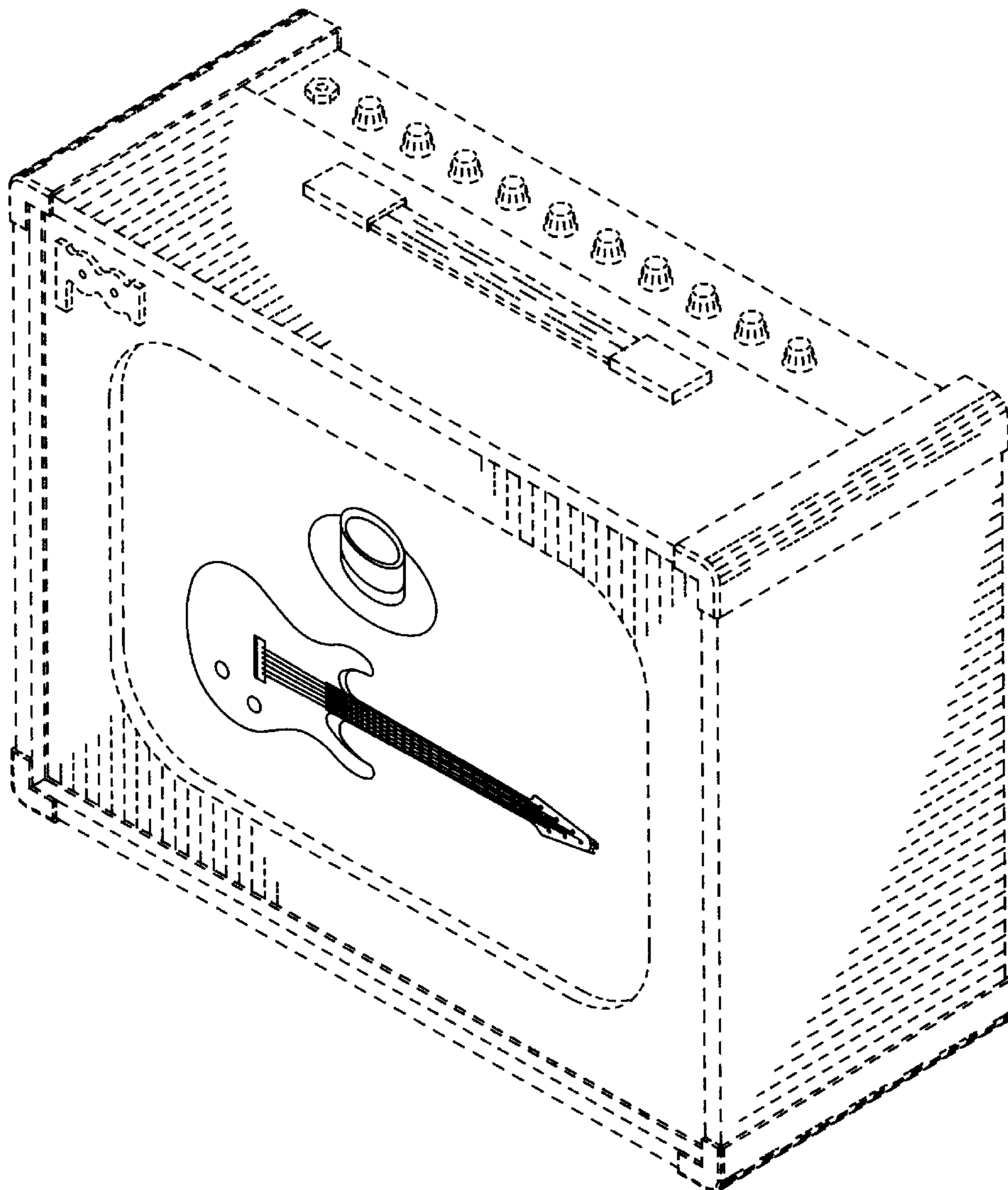
The ornamental design for a speaker grill depicting a hat and a guitar, as shown and described.

DESCRIPTION

FIG. 1 is a front perspective view of a speaker grill depicting a hat and a guitar showing my new design; and, FIG. 2 is an enlarged view thereof.

The broken line showing of the speaker cabinet on FIG. 1 is for illustrative purposes only and forms no part of the claimed design.

1 Claim, 2 Drawing Sheets



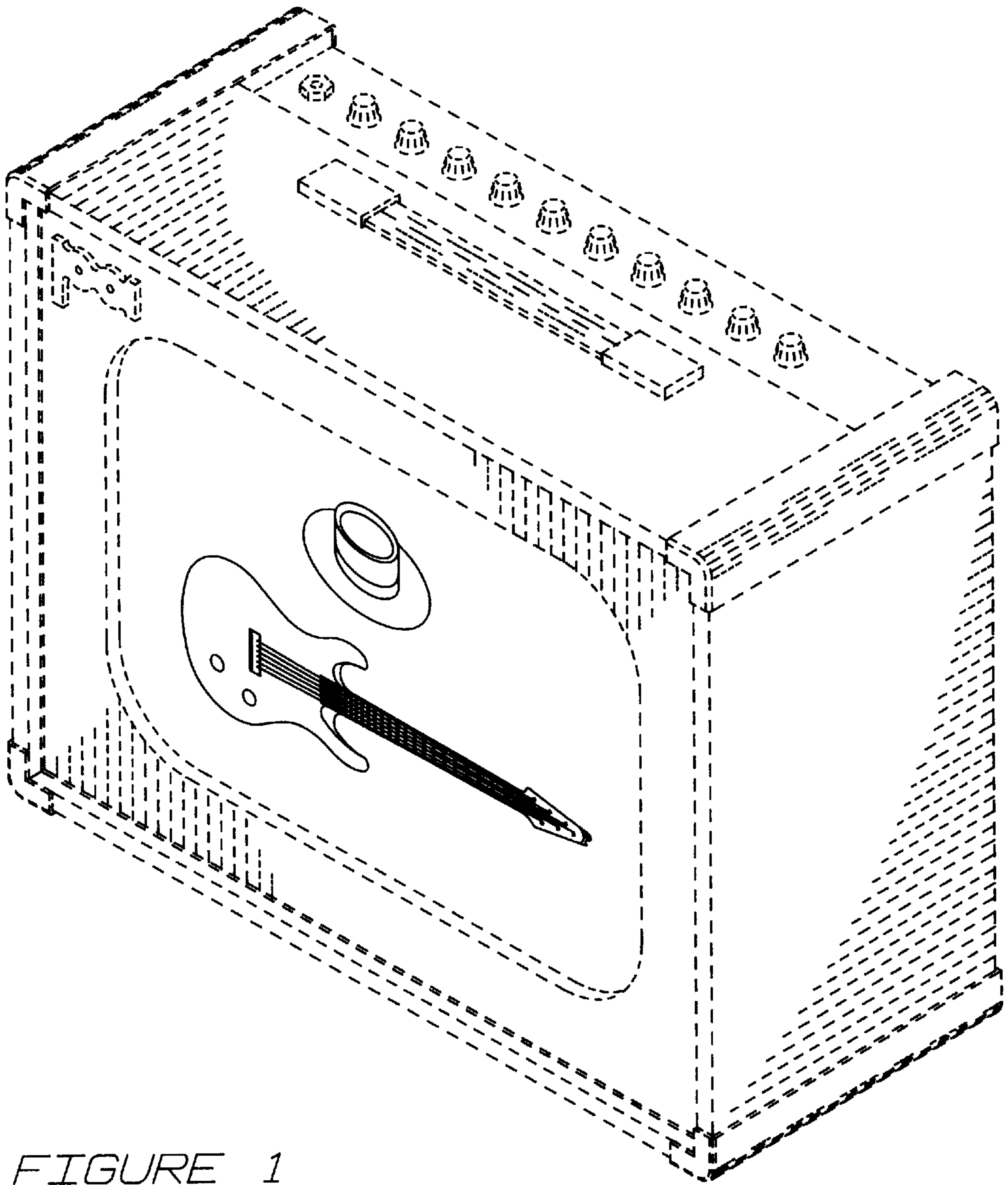


FIGURE 1

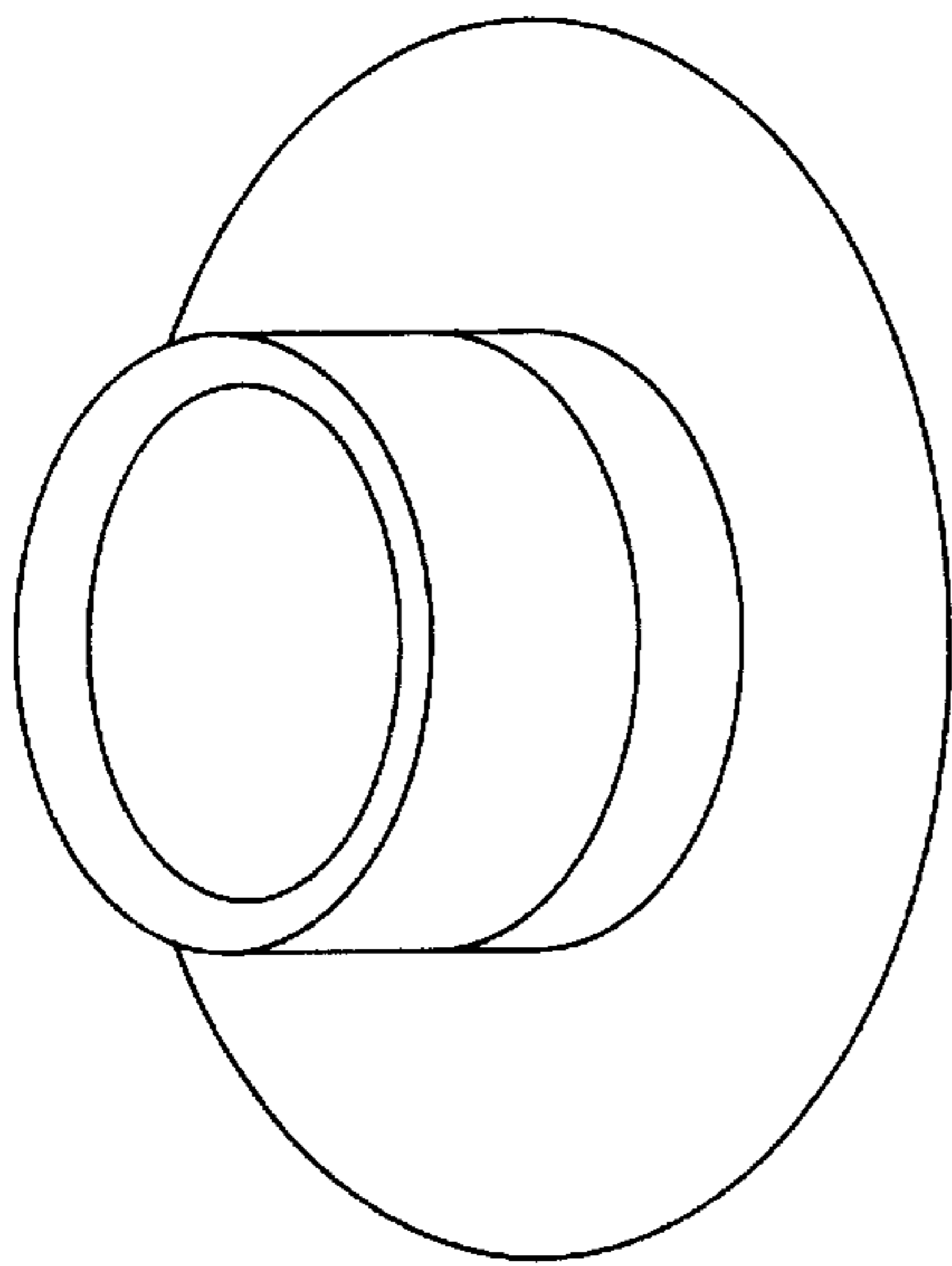


FIGURE 2

