



US00D430143S

# United States Patent [19] Renk

[11] **Patent Number: Des. 430,143**

[45] **Date of Patent: \*\* Aug. 29, 2000**

[54] **REMOTE CONTROL**

[75] Inventor: **Thomas Edward Renk**, Indianapolis, Ind.

[73] Assignee: **Thomson Consumer Electronics, Inc.**, Indianapolis, Ind.

[\*\*] Term: **14 Years**

[21] Appl. No.: **29/084,537**

[22] Filed: **Mar. 5, 1998**

[51] **LOC (7) Cl.** ..... **14-03**

[52] **U.S. Cl.** ..... **D14/218**

[58] **Field of Search** ..... D14/124, 217, D14/218, 299; D10/104, 106; D13/168; 348/734; 455/151.1-151.4, 152.1, 352-355; 200/331; D21/329

[56] **References Cited**

**U.S. PATENT DOCUMENTS**

- D. 219,028 10/1970 Miller et al. .... D14/218
- D. 371,791 7/1996 Patton ..... D14/218
- D. 372,244 7/1996 Yamazaki et al. .... D14/218

- D. 381,662 7/1997 Weissberg et al. .... D14/218
- D. 389,906 1/1998 Neilsen ..... D13/168
- D. 392,336 3/1998 Liu ..... D21/329
- D. 394,856 6/1998 Chiu ..... D21/329

*Primary Examiner*—Louis S. Zarfes  
*Assistant Examiner*—Greg Andoll  
*Attorney, Agent, or Firm*—Woodard, Emhardt, Naughton Moriarty & McNett

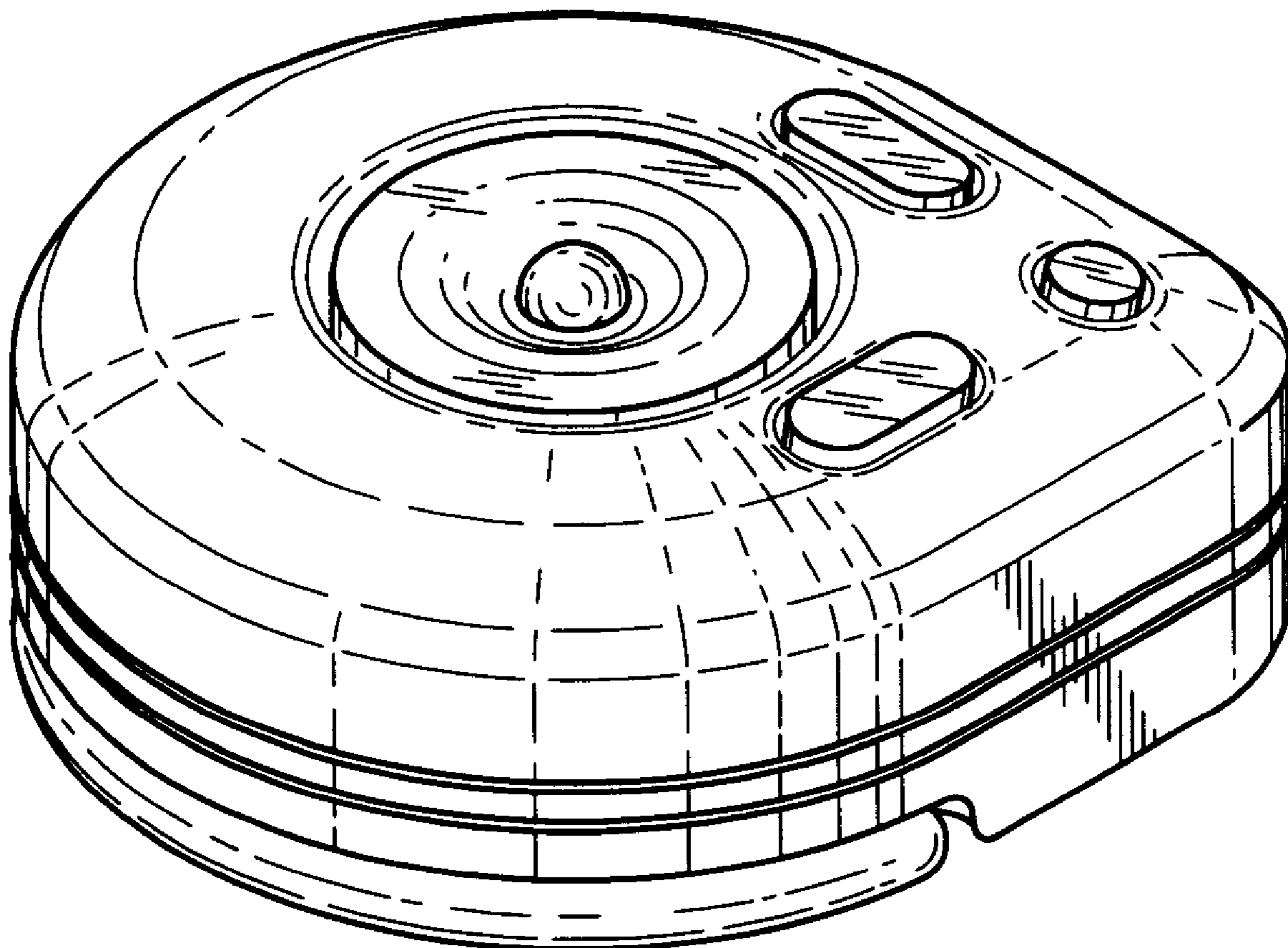
[57] **CLAIM**

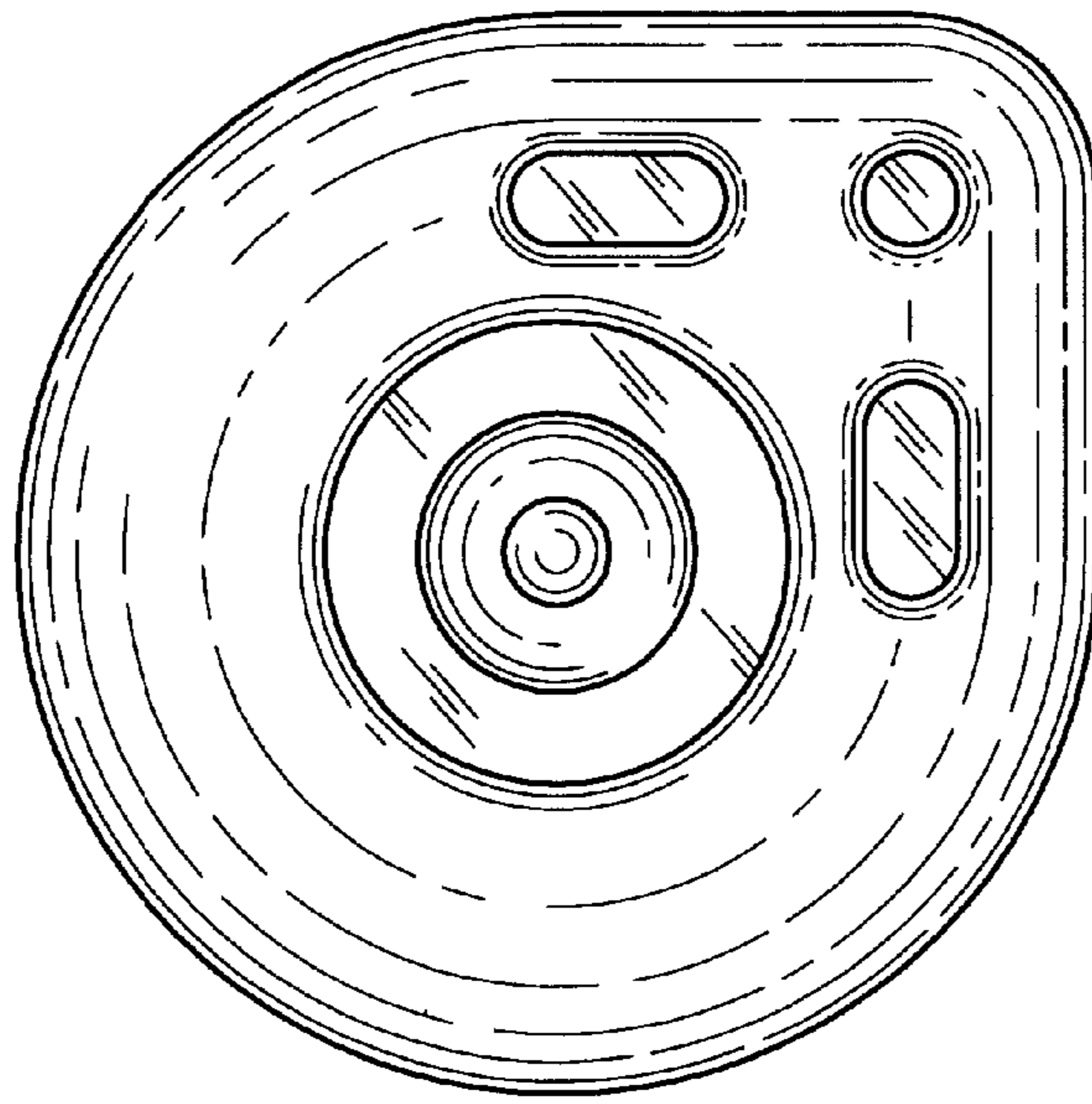
The ornamental design for a remote control, as shown and described.

**DESCRIPTION**

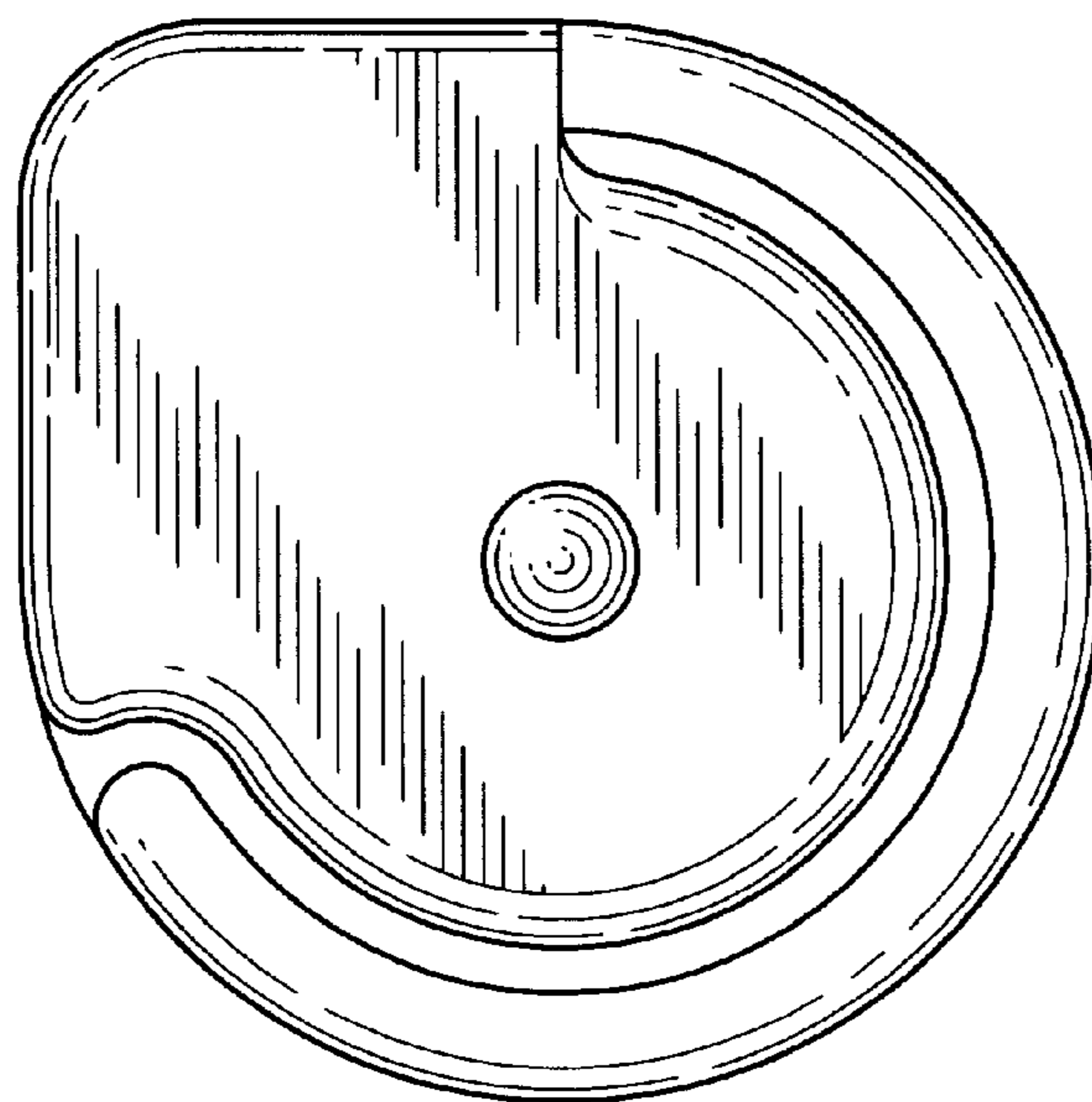
FIG. 1 is a front elevational view of a remote control showing my new design; FIG. 2 is a rear elevational view thereof; FIG. 3 is a right side elevational view thereof; FIG. 4 is a left side elevational view thereof; and, FIG. 5 is a front, right, and bottom perspective view thereof. The surface(s) or portion(s) of the article not shown in the drawing or described in the specification form(s) no part of the claimed design.

**1 Claim, 3 Drawing Sheets**

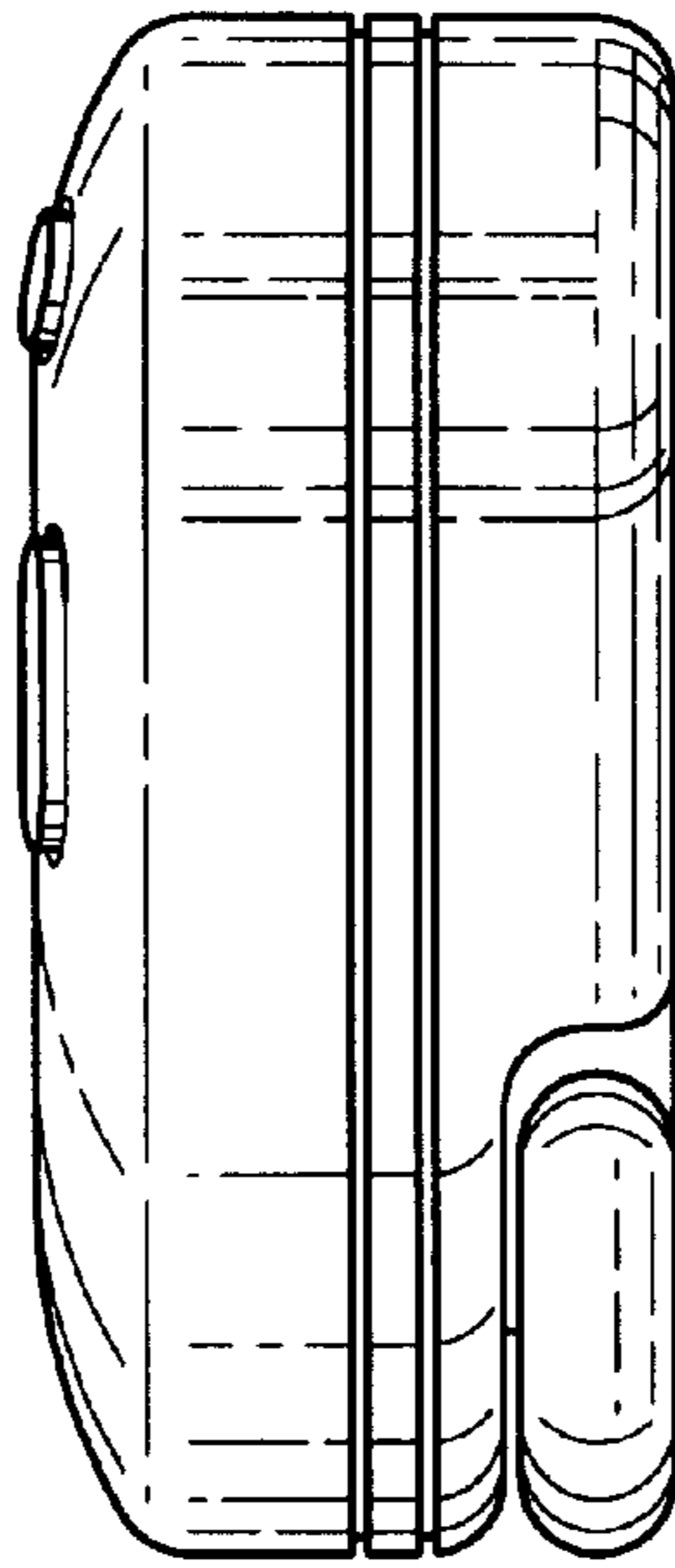




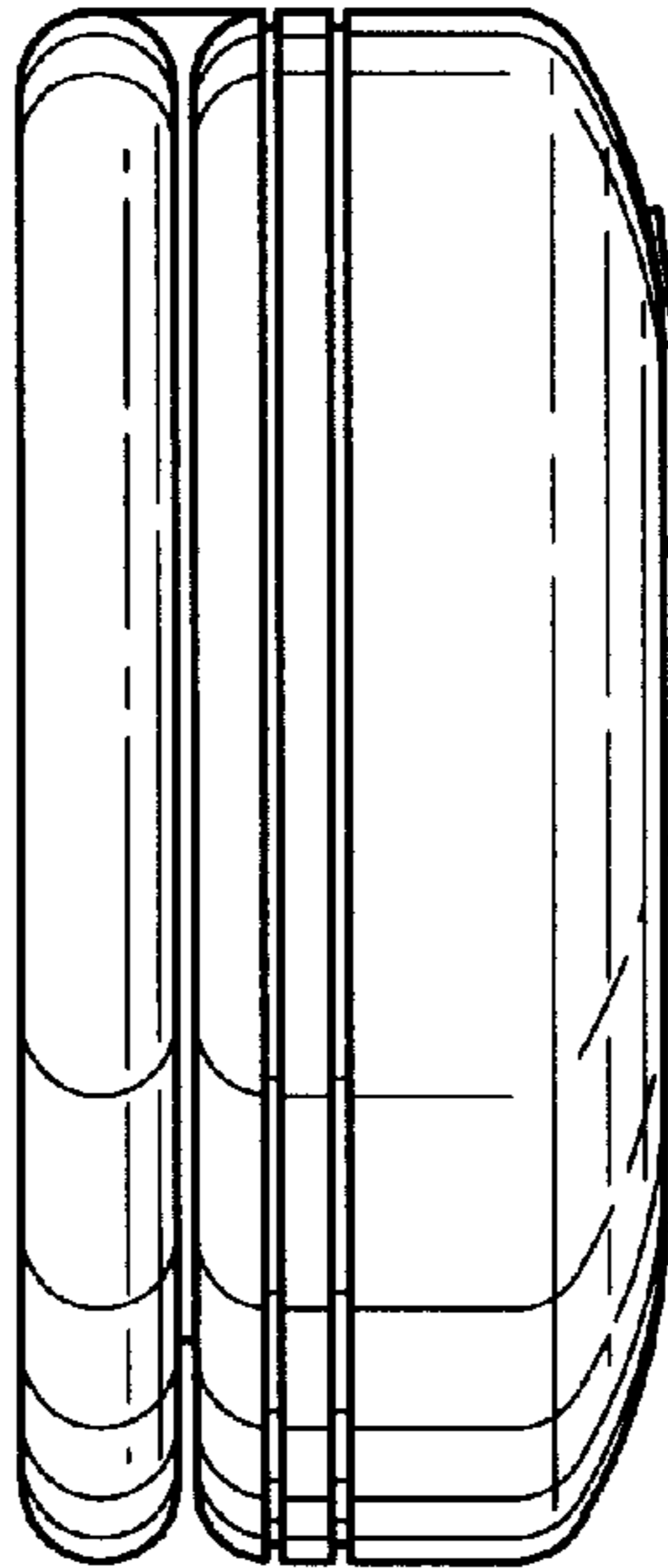
**Fig. 1**



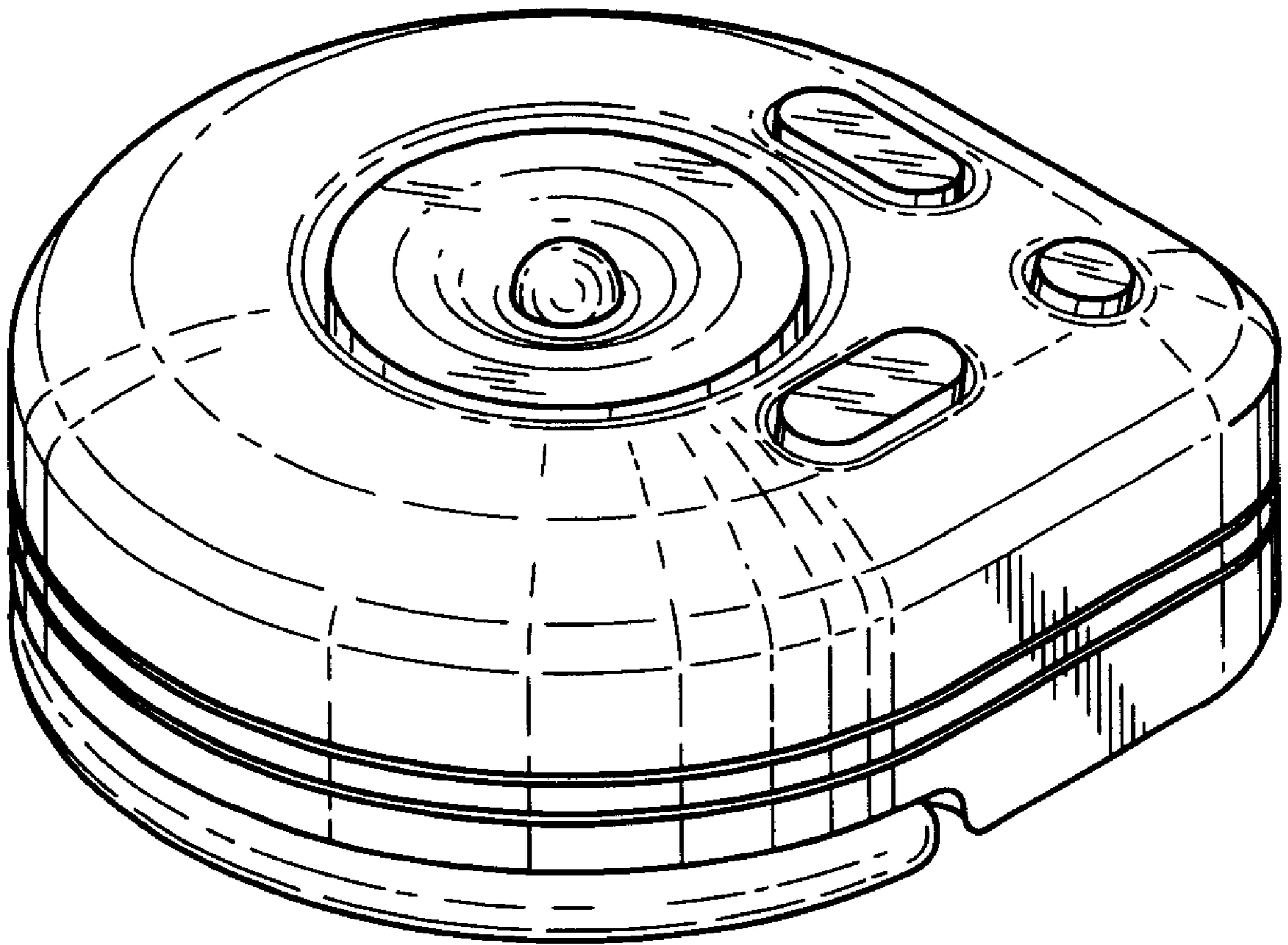
**Fig. 2**



**Fig. 3**



**Fig. 4**



**Fig. 5**